



US00D478436S

(12) **United States Design Patent**
Milligan

(10) **Patent No.:** **US D478,436 S**

(45) **Date of Patent:** **** Aug. 19, 2003**

(54) **CABINET**

(75) **Inventor:** **Geoffrey Milligan, East York (CA)**

(73) **Assignee:** **TK Canada Limited, Downsview (CA)**

(**) **Term:** **14 Years**

(21) **Appl. No.:** **29/174,549**

(22) **Filed:** **Jan. 22, 2003**

Related U.S. Application Data

(62) Division of application No. 29/149,417, filed on Oct. 11, 2001.

(30) **Foreign Application Priority Data**

Apr. 12, 2001 (CA) 2001-0959

(51) **LOC (7) Cl.** **06-04**

(52) **U.S. Cl.** **D6/470; D6/436**

(58) **Field of Search** D6/396, 397, 432,
D6/433, 436, 440, 441, 444-448, 479, 509,
510, 511; 312/198, 138.1, 204, 213, 398.4,
107, 108

(56) **References Cited**

U.S. PATENT DOCUMENTS

D193,717 S * 10/1962 Deaton D6/446

D251,945 S	*	5/1979	Offredi	D6/436
D300,487 S	*	4/1989	Dyer	D6/446
D312,738 S	*	12/1990	Newhouse	D6/446
5,016,946 A	*	5/1991	Reznikov et al.	312/108
D325,828 S	*	5/1992	Cochran et al.	D6/429
D334,852 S	*	4/1993	Beirise	D6/436
D336,392 S	*	6/1993	Whalen	D6/446
D370,798 S	*	6/1996	Rosen	D6/446
D370,799 S	*	6/1996	Rosen	D6/446
D410,351 S	*	6/1999	Magnusson et al.	D6/446

* cited by examiner

Primary Examiner—Cathron C. Brooks

(74) *Attorney, Agent, or Firm*—Bereskin & Parr

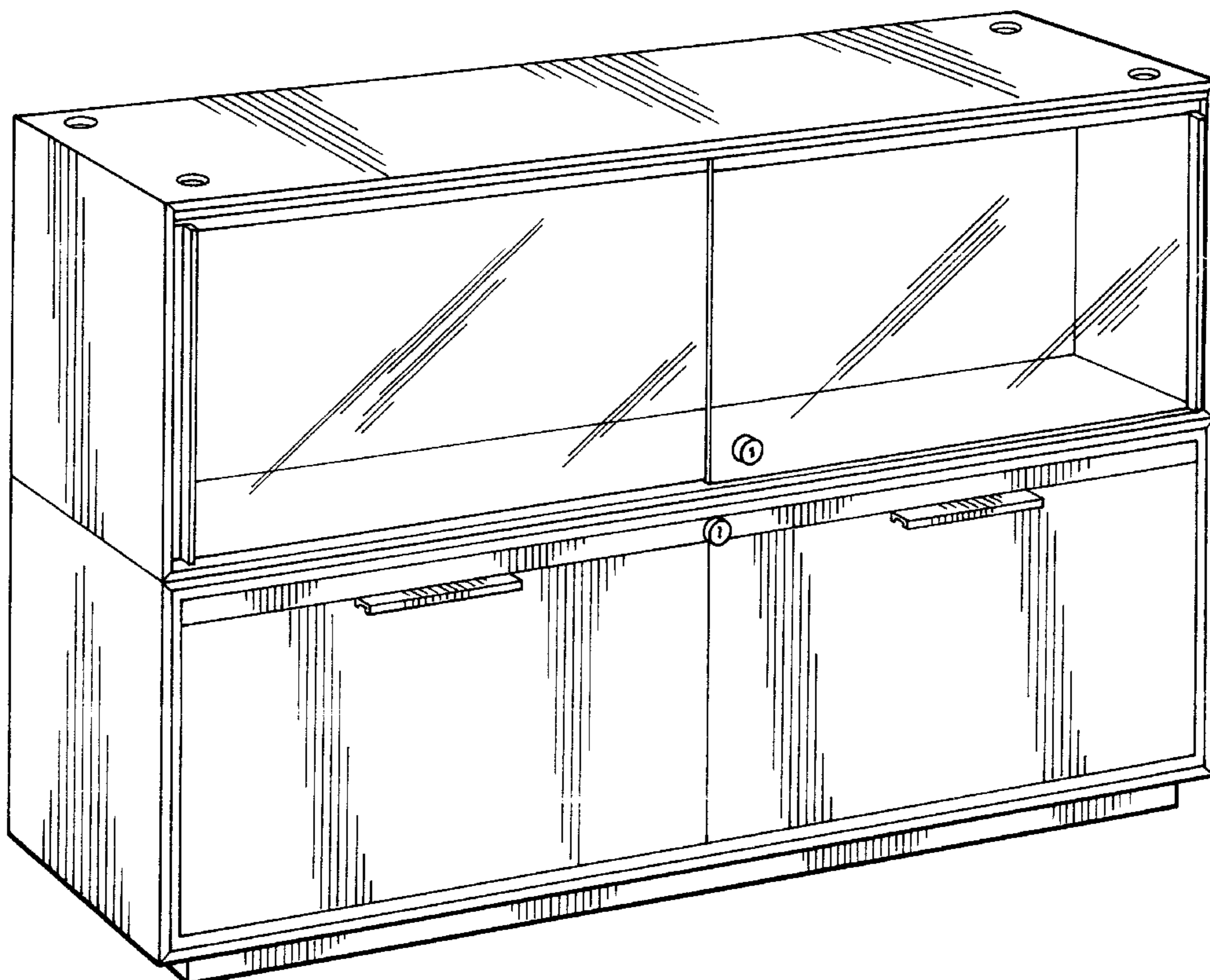
(57) **CLAIM**

The ornamental Design for a cabinet, as shown.

DESCRIPTION

FIG. 1 is a perspective view from above of the cabinet in accordance with my design;
FIG. 2 is a front elevational view;
FIG. 3 is a top plan view;
FIG. 4 is a rear elevational view;
FIG. 5 is a bottom plan view; and,
FIGS. 6 and 7 are left and right side elevational views corresponding to FIG. 1.

1 Claim, 4 Drawing Sheets



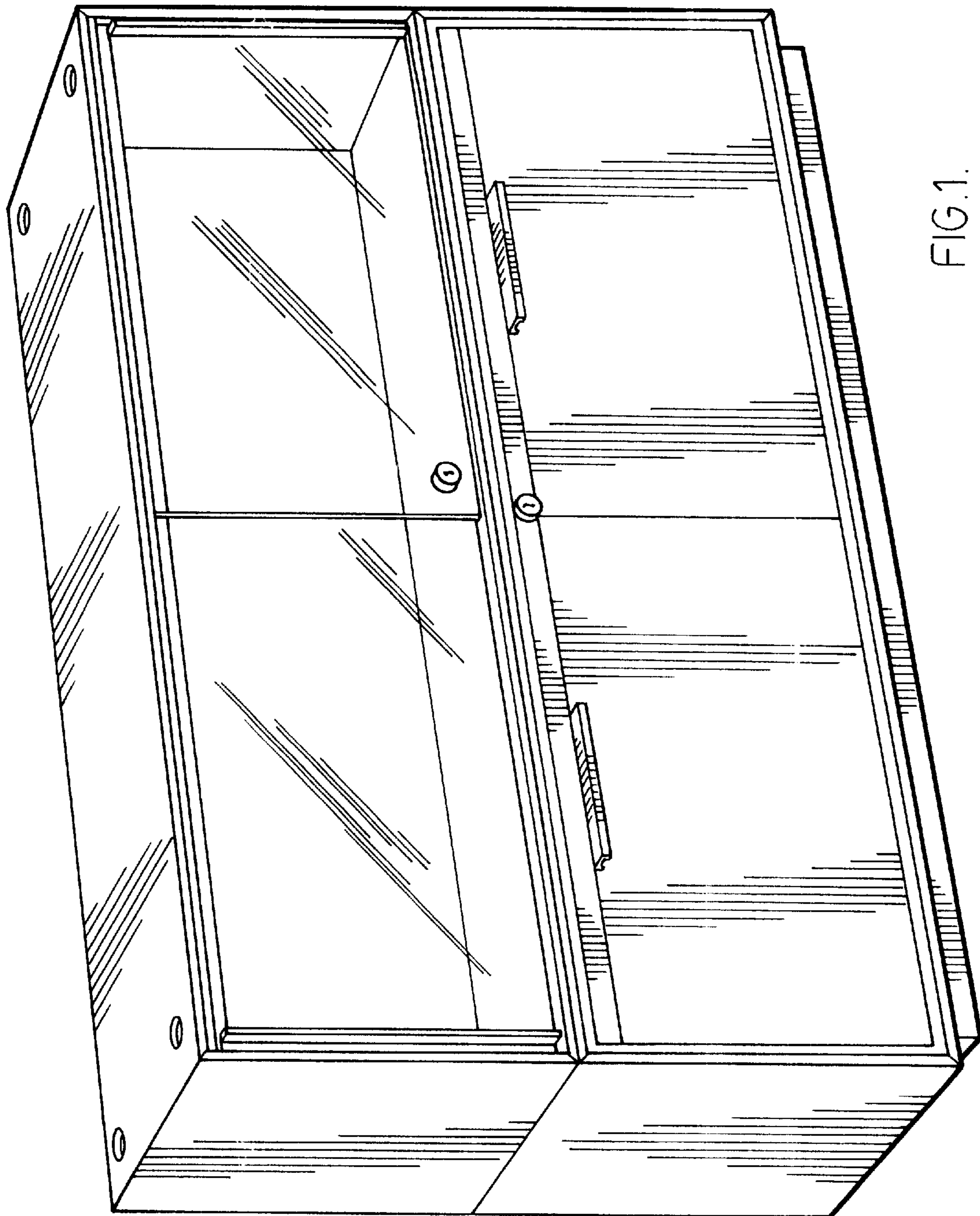


FIG. 1.

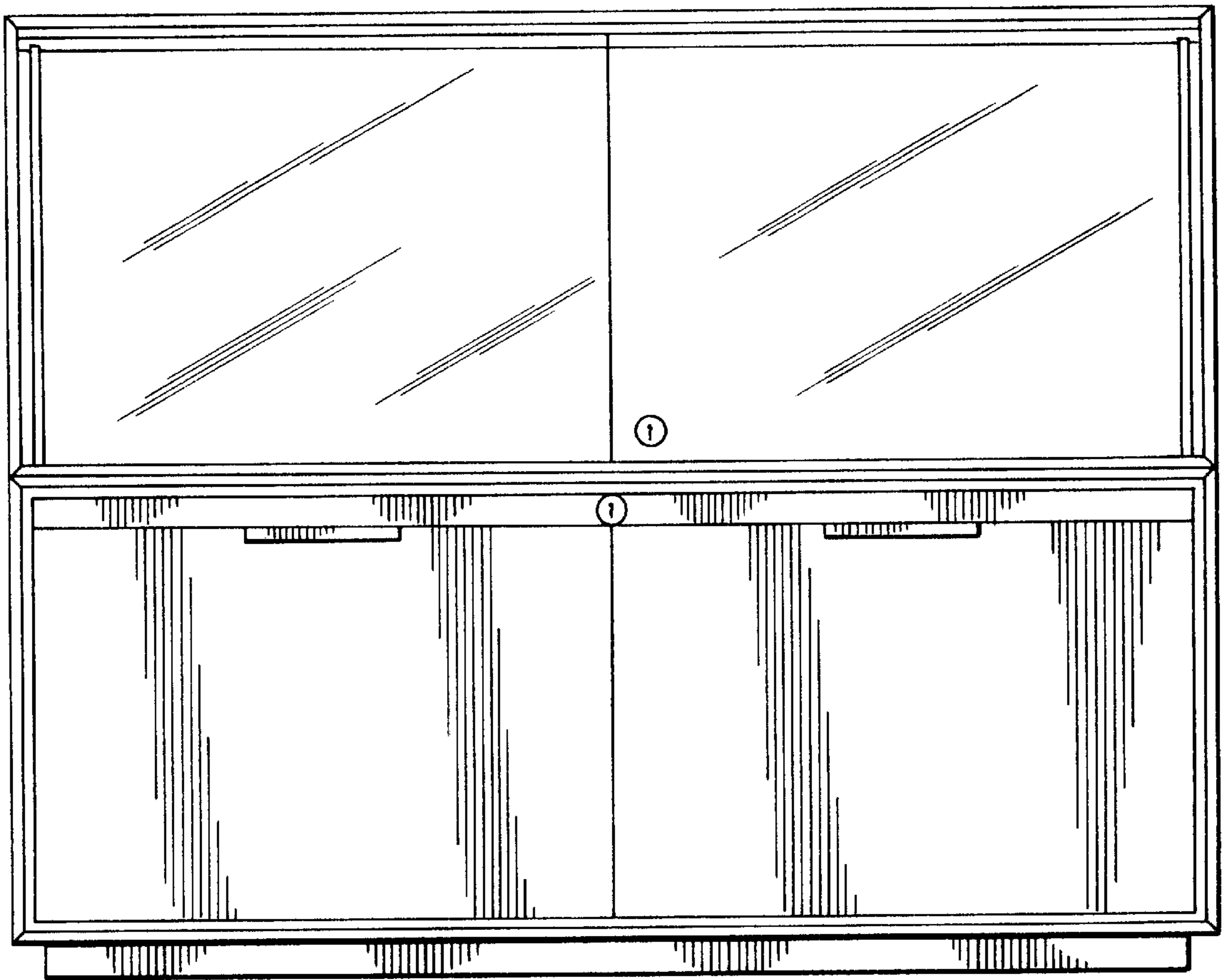


FIG. 2.

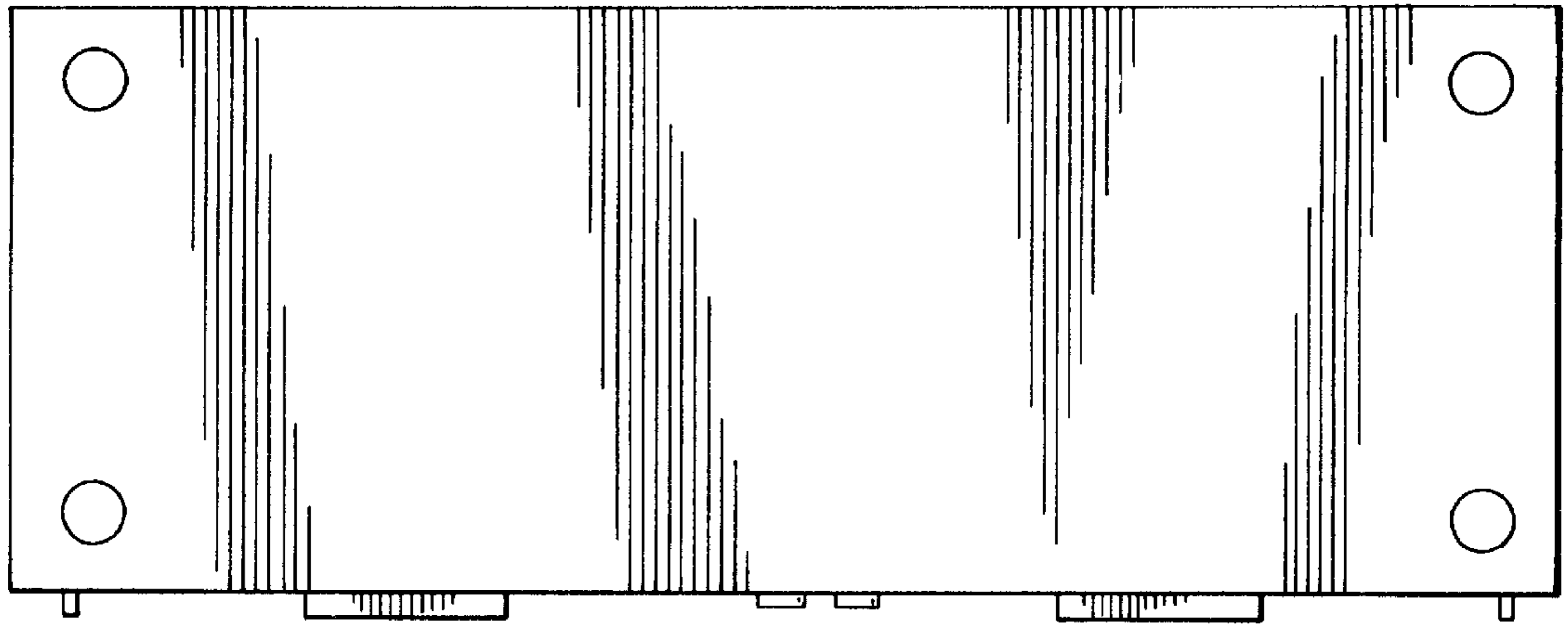
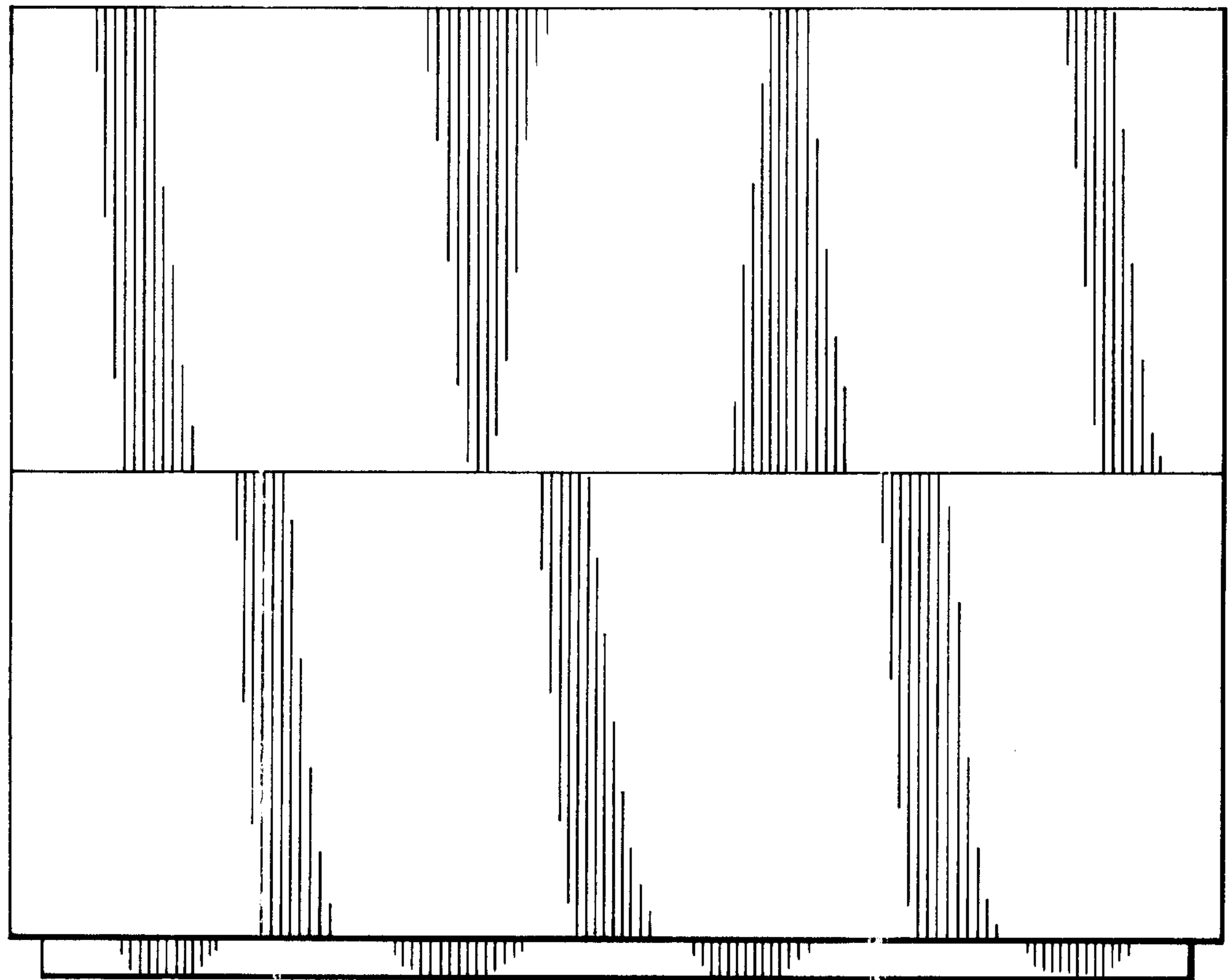


FIG. 3.

FIG. 4.



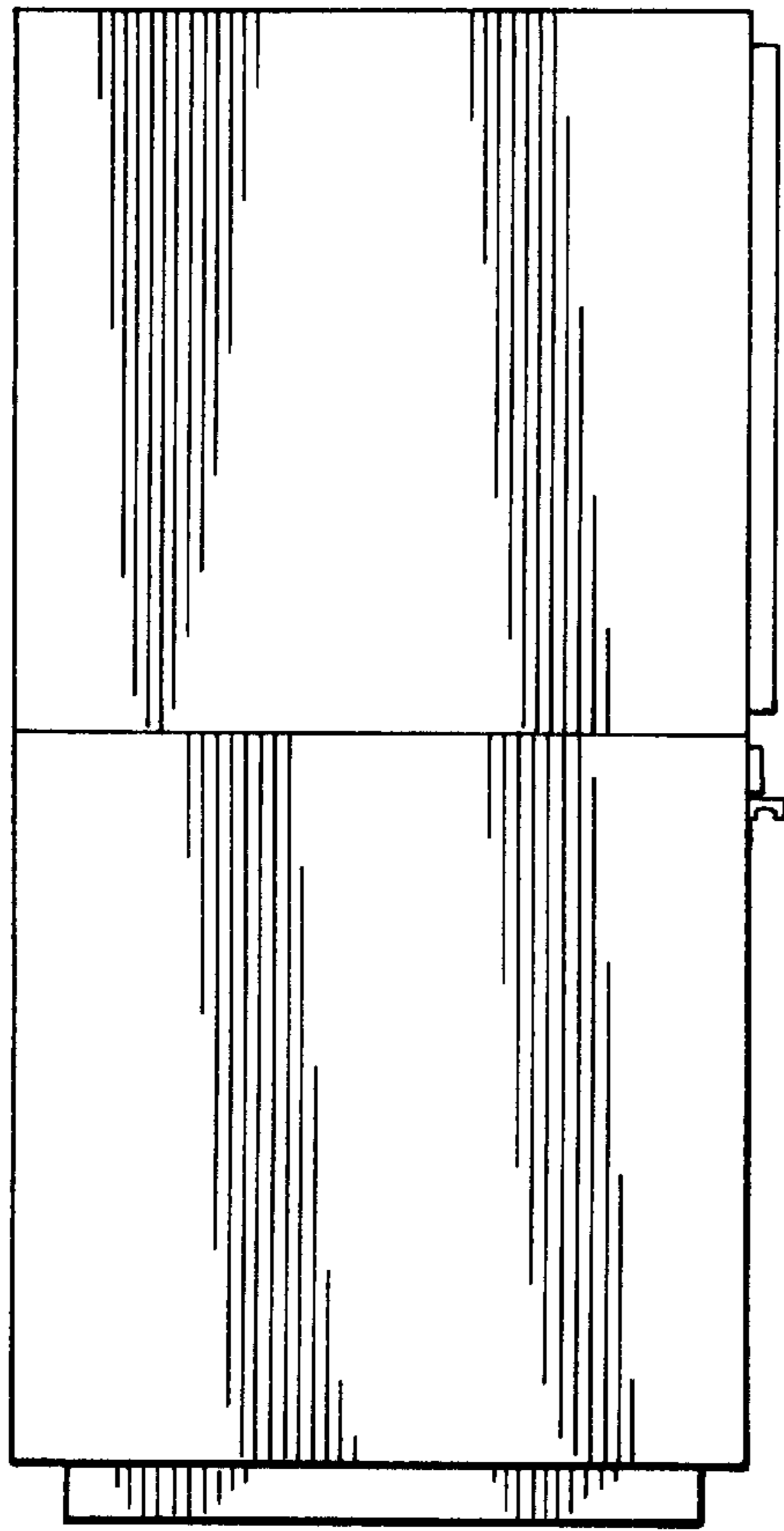


FIG. 6.

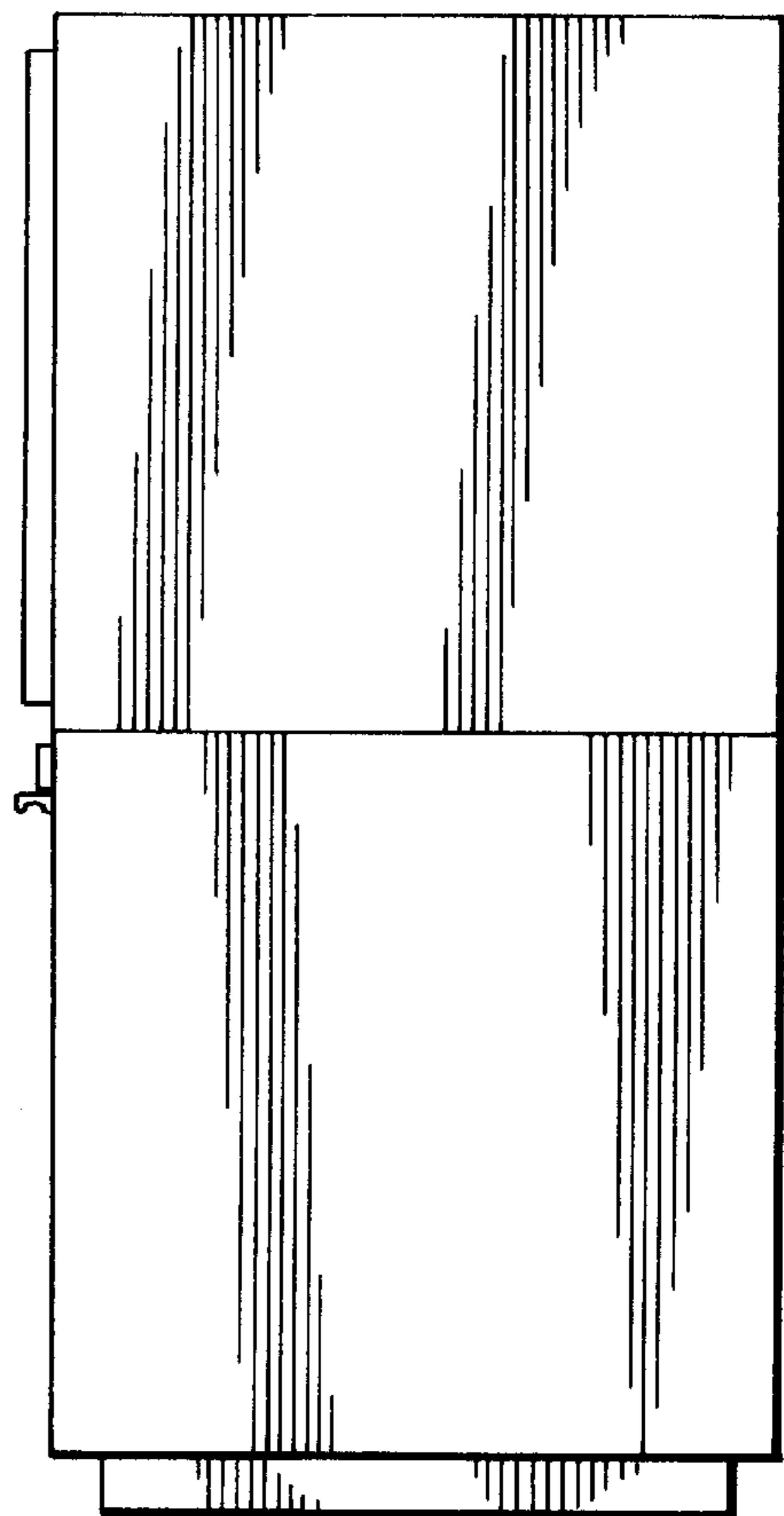


FIG. 7.

FIG. 5.

