



US00D478435S

(12) **United States Design Patent**
Brownfield

(10) **Patent No.:** **US D478,435 S**

(45) **Date of Patent:** **** Aug. 19, 2003**

- (54) **MODULAR SHOE BOX DISPLAY FIXTURE**
- (75) Inventor: **Scott E. Brownfield**, Canal Winchester, OH (US)
- (73) Assignee: **DSW Shoe Warehouse, Inc.**, Columbus, OH (US)
- (**) Term: **14 Years**
- (21) Appl. No.: **29/146,309**
- (22) Filed: **Aug. 10, 2001**
- (51) **LOC (7) Cl.** **06-04**
- (52) **U.S. Cl.** **D6/449; D6/475**
- (58) **Field of Search** D6/396, 397, 432, D6/448, 449, 455, 456, 475, 510, 511; D13/184; 229/117.16, 125.14, 174; 312/107, 108

(56) **References Cited**
U.S. PATENT DOCUMENTS

597,065	A	*	1/1898	Loverin	217/16
2,291,176	A	*	7/1942	Vanderveld	211/190
2,742,221	A	*	4/1956	Hickin	229/174
2,761,610	A	*	7/1956	Welshenbach	229/117.16
3,258,188	A	*	6/1966	Houston	229/125.14
3,696,960	A	*	10/1972	Smirle	220/23.4
3,736,035	A	*	5/1973	Brown et al.	312/107
D237,235	S	*	10/1975	Iacurto et al.	D6/449 X
3,974,934	A	*	8/1976	Rohner	220/4.28
D251,546	S	*	4/1979	Larsson et al.	D9/432
4,293,091	A	*	10/1981	Gerard	229/117.16

(List continued on next page.)

Primary Examiner—Cathron C. Brooks
(74) *Attorney, Agent, or Firm*—Wood, Herron & Evans, L.L.P.

(57) **CLAIM**

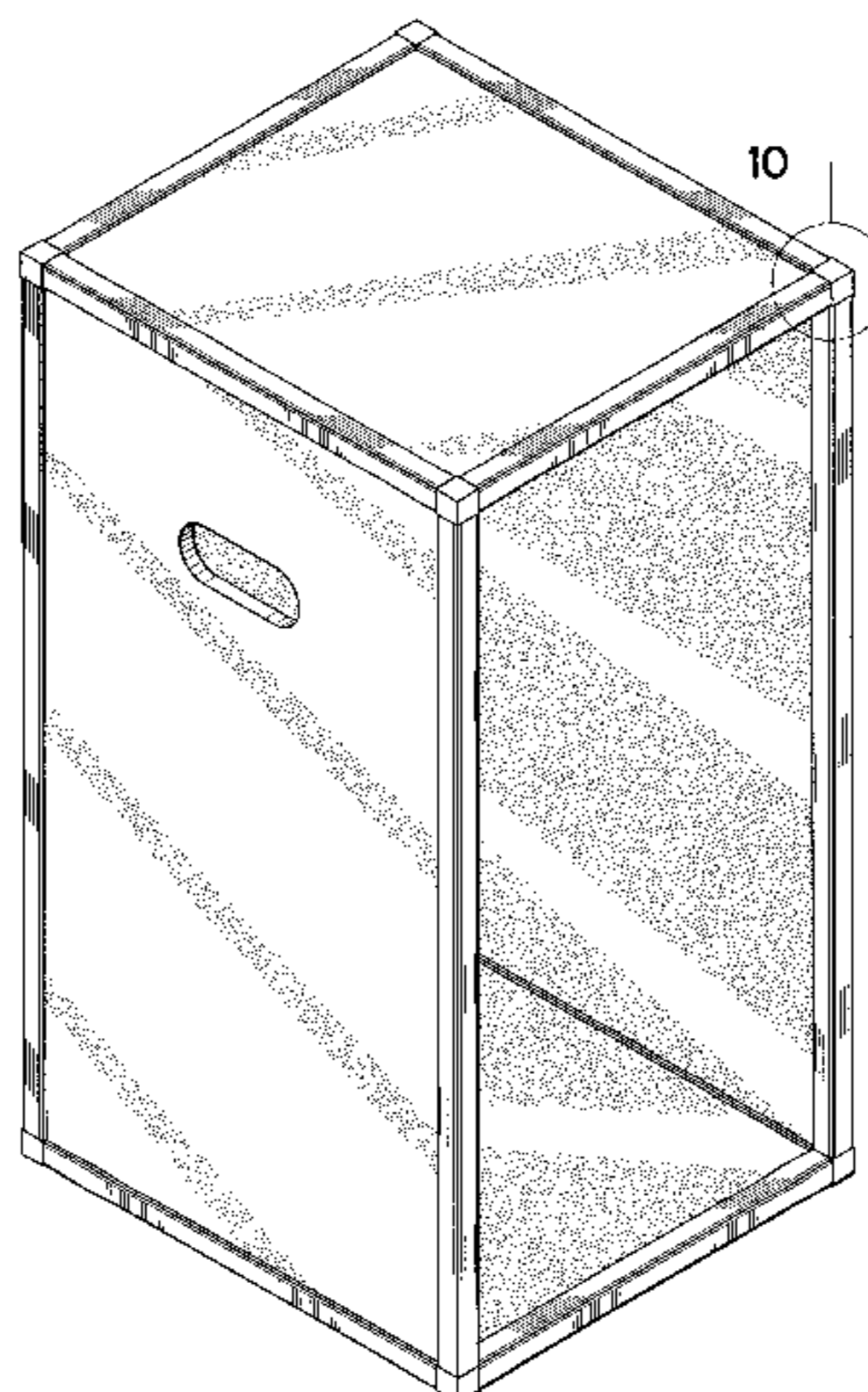
The ornamental design for the modular shoe box display fixture, as shown and described.

DESCRIPTION

FIG. 1 is a perspective view of the left side, top and front of a modular shoe box display fixture showing our new design;

FIG. 2 is a front elevational view thereof;
 FIG. 3 is a left side elevational view thereof;
 FIG. 4 is a rear elevational view thereof;
 FIG. 5 is a right side elevational view thereof;
 FIG. 6 is a top plan view thereof;
 FIG. 7 is a bottom plan view thereof;
 FIG. 8 is a cross-sectional view along line 8—8 of FIG. 2, showing the recessed nature of the outer surfaces of the tube-encircled top, bottom and rear panels comprising the top, bottom and rear of the modular shoe box display fixture;
 FIG. 9 is a cross-sectional view along line 9—9 of FIG. 6, showing the recessed nature of the outer surfaces of the tube-encircled left side, right side and top panels comprising the left side, right side and top of a modular shoe box display fixture;
 FIG. 10 is an enlarged perspective detail view of the upper right front corner of a modular shoe box display fixture, showing the beveled corners of the square metal tubes surrounding the panels;
 FIG. 11 is an enlarged cross-sectional detail view along line 11—11 of FIG. 8, showing the beveled corners of the square metal tube surrounding the top panel of a modular shoe box display fixture, and the recessed nature of the tube-encircled top panel; and,
 FIG. 12 is an enlarged cross-sectional detail view along line 12—12 of FIG. 8, showing the beveled corners of the square metal tubes surrounding the top and rear panels of the modular shoe box display fixture, and the recessed nature of the outer surfaces of the tube-encircled top and rear panels, respectively.
 FIG. 13 is a perspective view of the top, left side and front of a second embodiment of a modular shoe box display fixture;
 FIG. 14 is a left side elevational view thereof; and,
 FIG. 15 is a right side elevational view thereof.
 The front elevational view, rear elevational view, top plan view and bottom plan view of the second embodiment are identical to FIGS. 2, 4, 6 and 7, respectively.
 The features of the modular shoe box display fixture shown in phantom lines are not elements of the design of the invention.

1 Claim, 11 Drawing Sheets



US D478,435 S

Page 2

U.S. PATENT DOCUMENTS

4,359,084 A	*	11/1982	Geverath et al.	220/1.5 X	D391,232 S	*	2/1998	Hartel et al.	D13/184
4,408,710 A	*	10/1983	Aust	229/117.16	D417,801 S	*	12/1999	Robert	D6/449
5,577,440 A	*	11/1996	Marie	D6/475 X	D427,454 S	*	7/2000	Munch et al.	D6/448

* cited by examiner

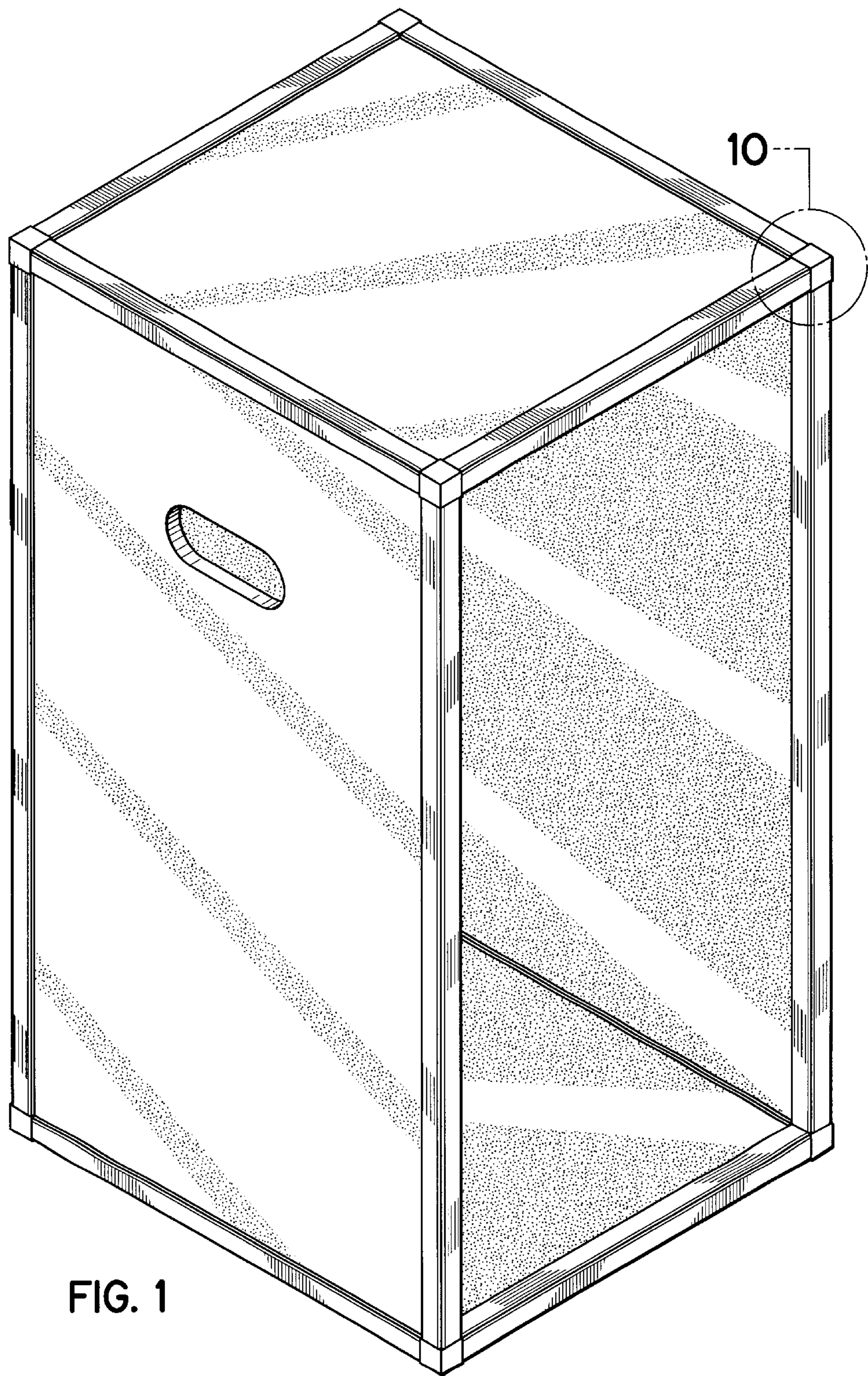


FIG. 1

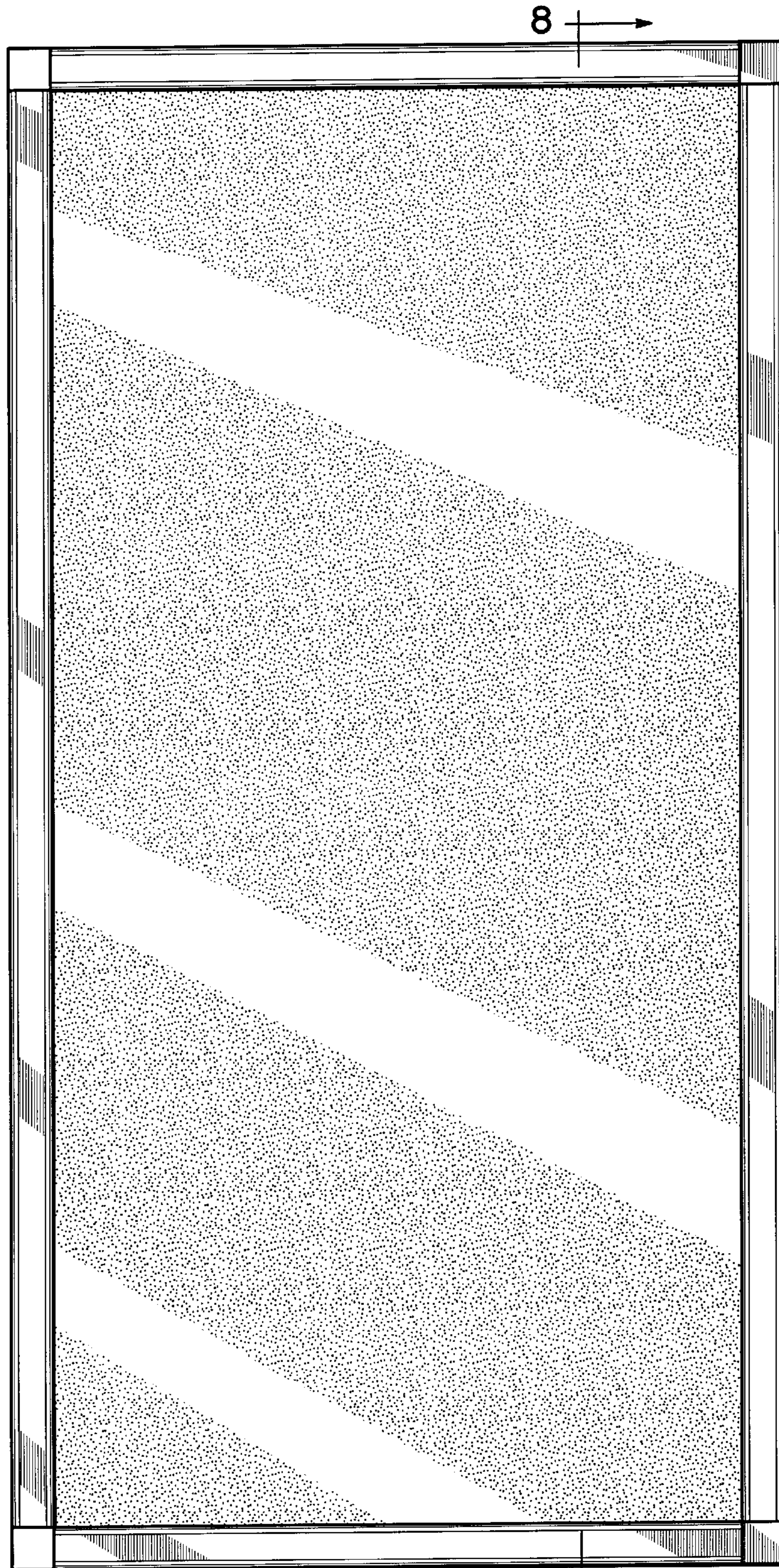


FIG. 2

8 →

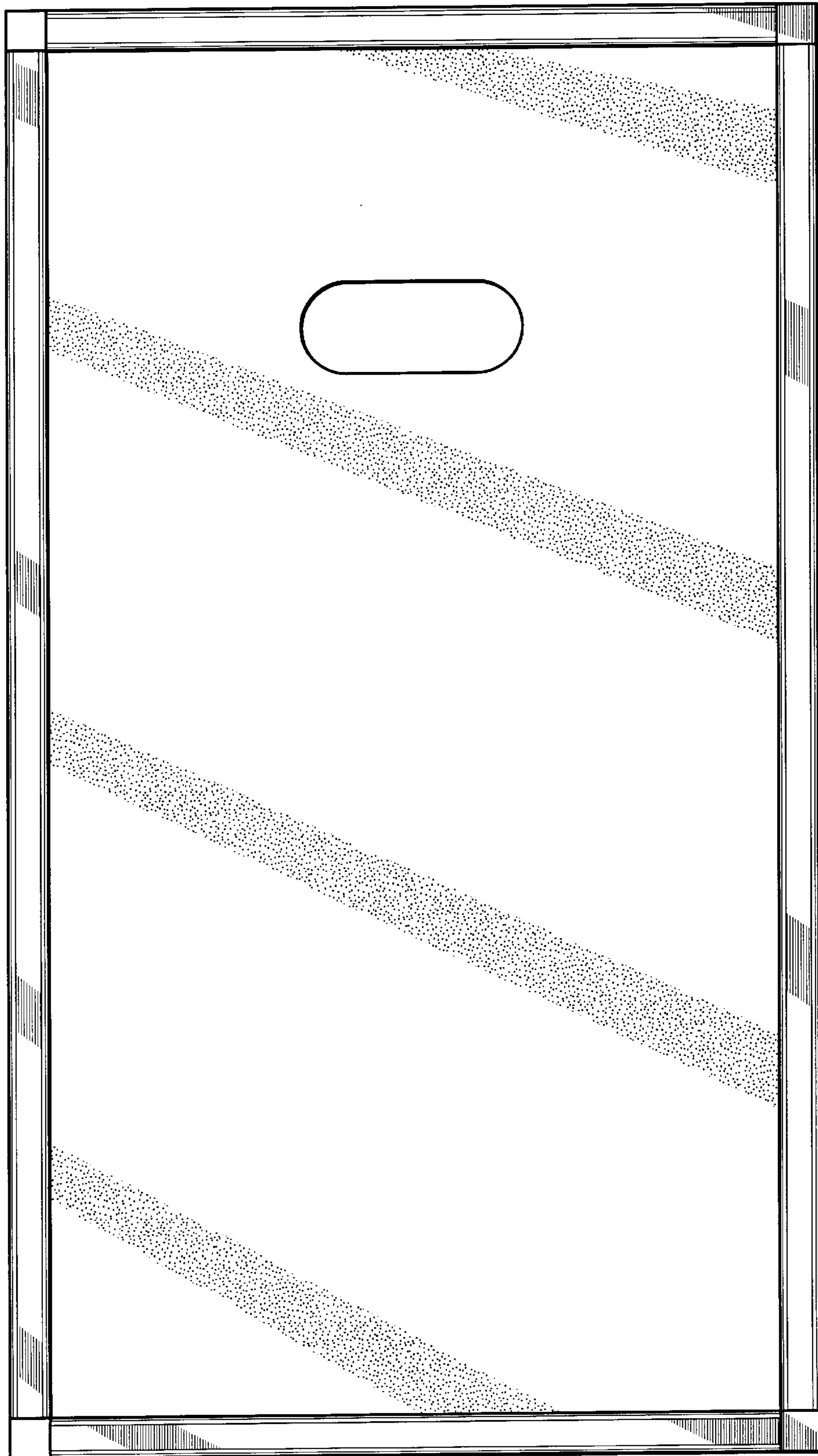


FIG. 3

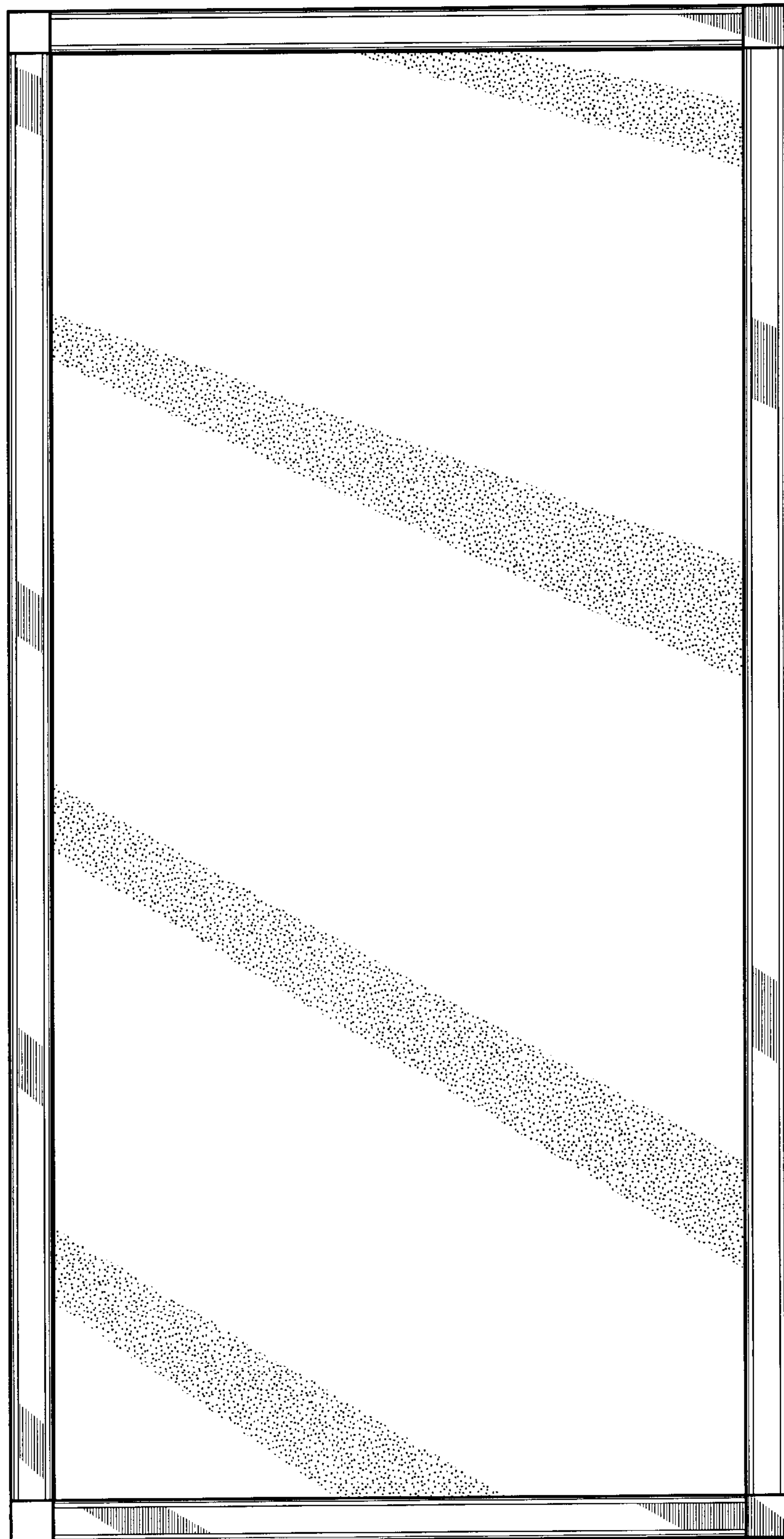


FIG. 4

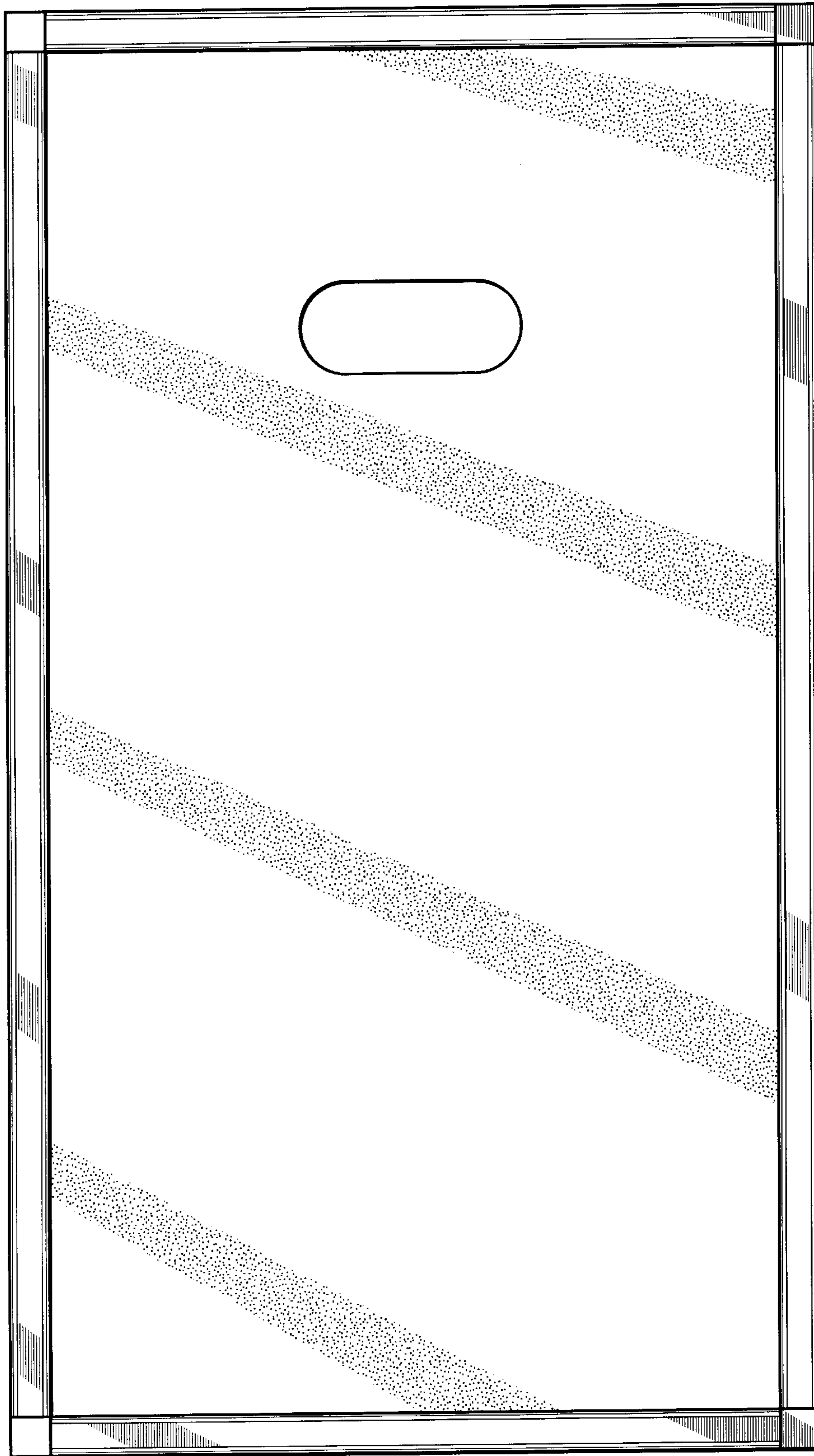


FIG. 5

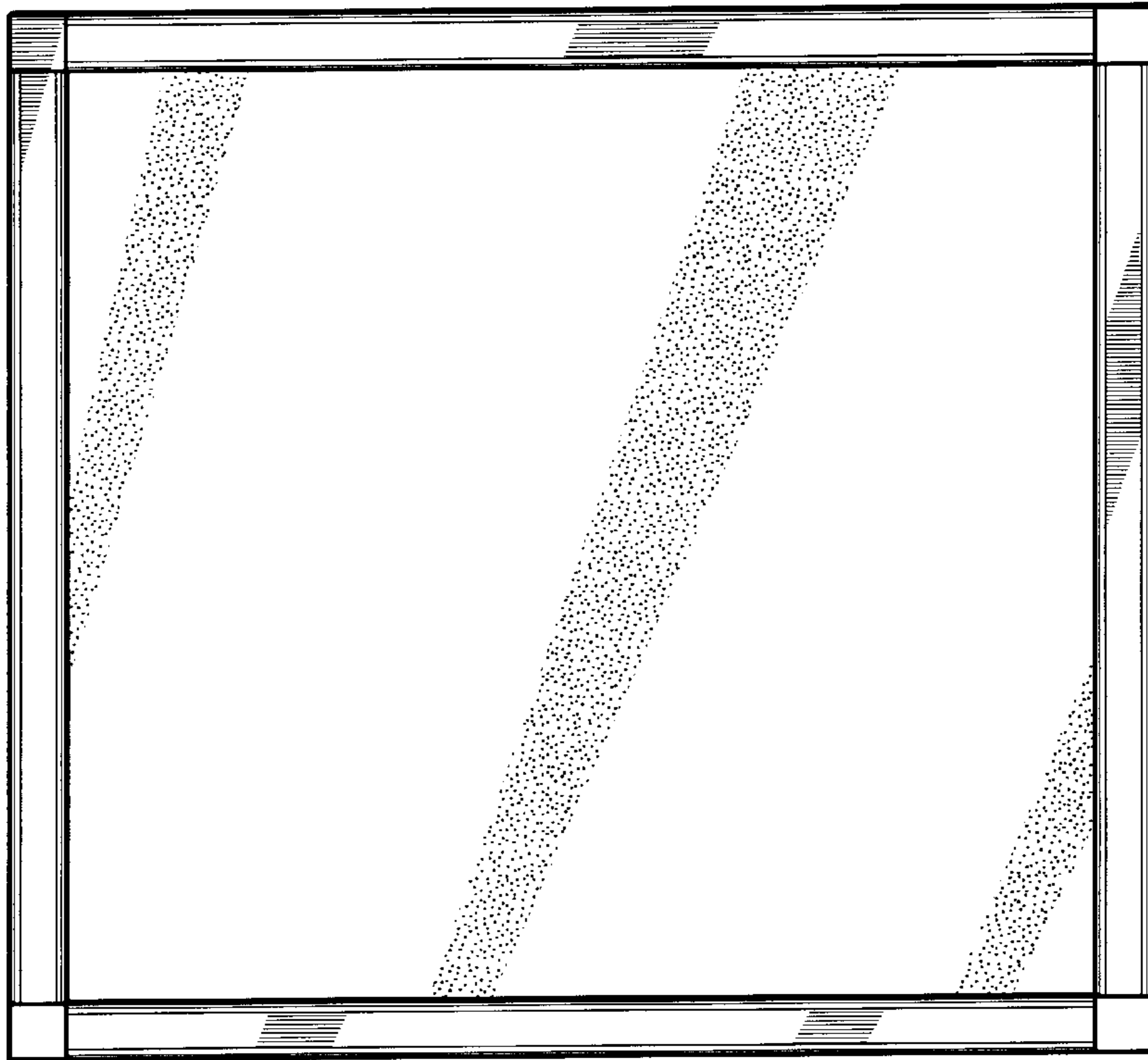


FIG. 7

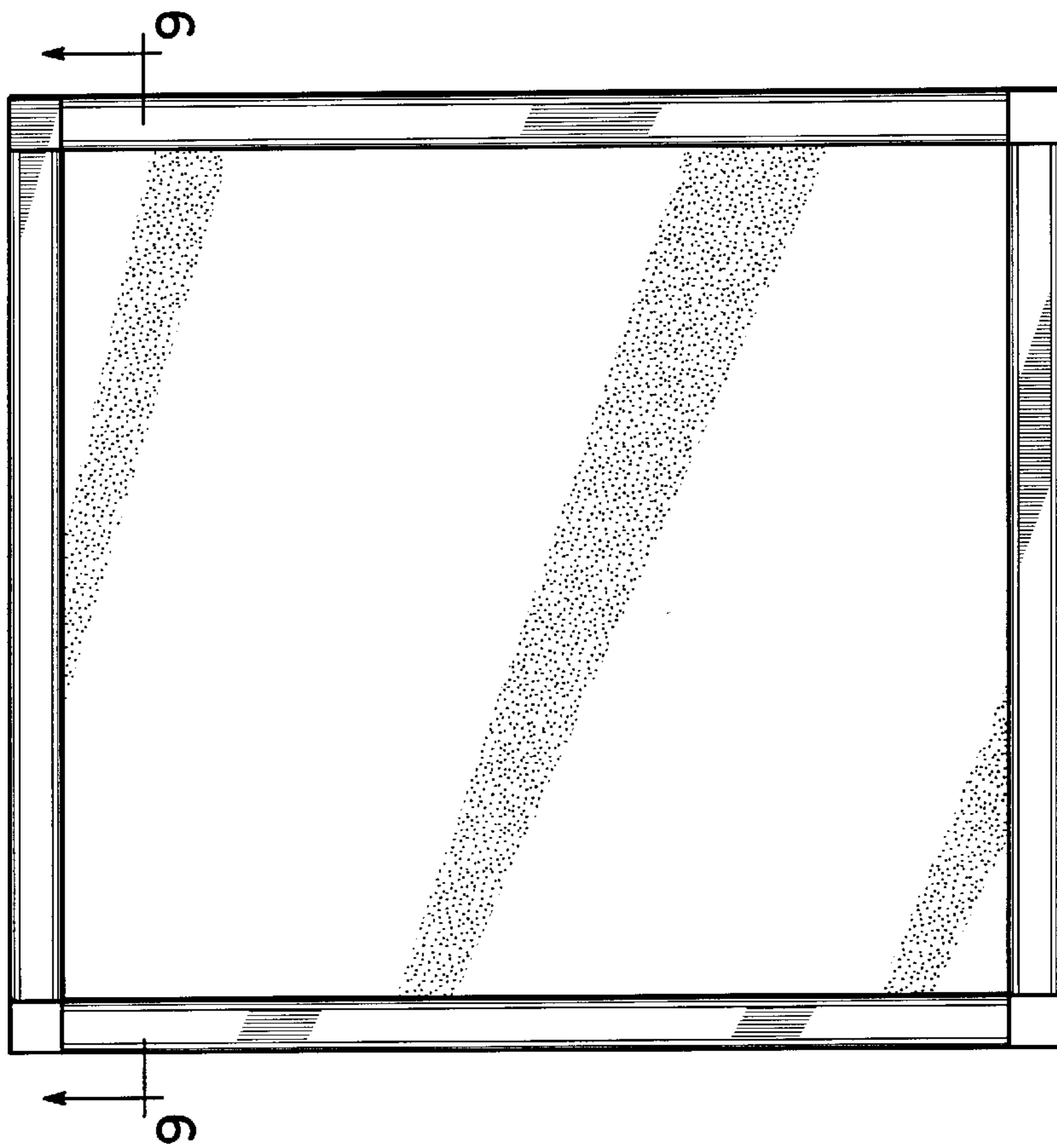


FIG. 6

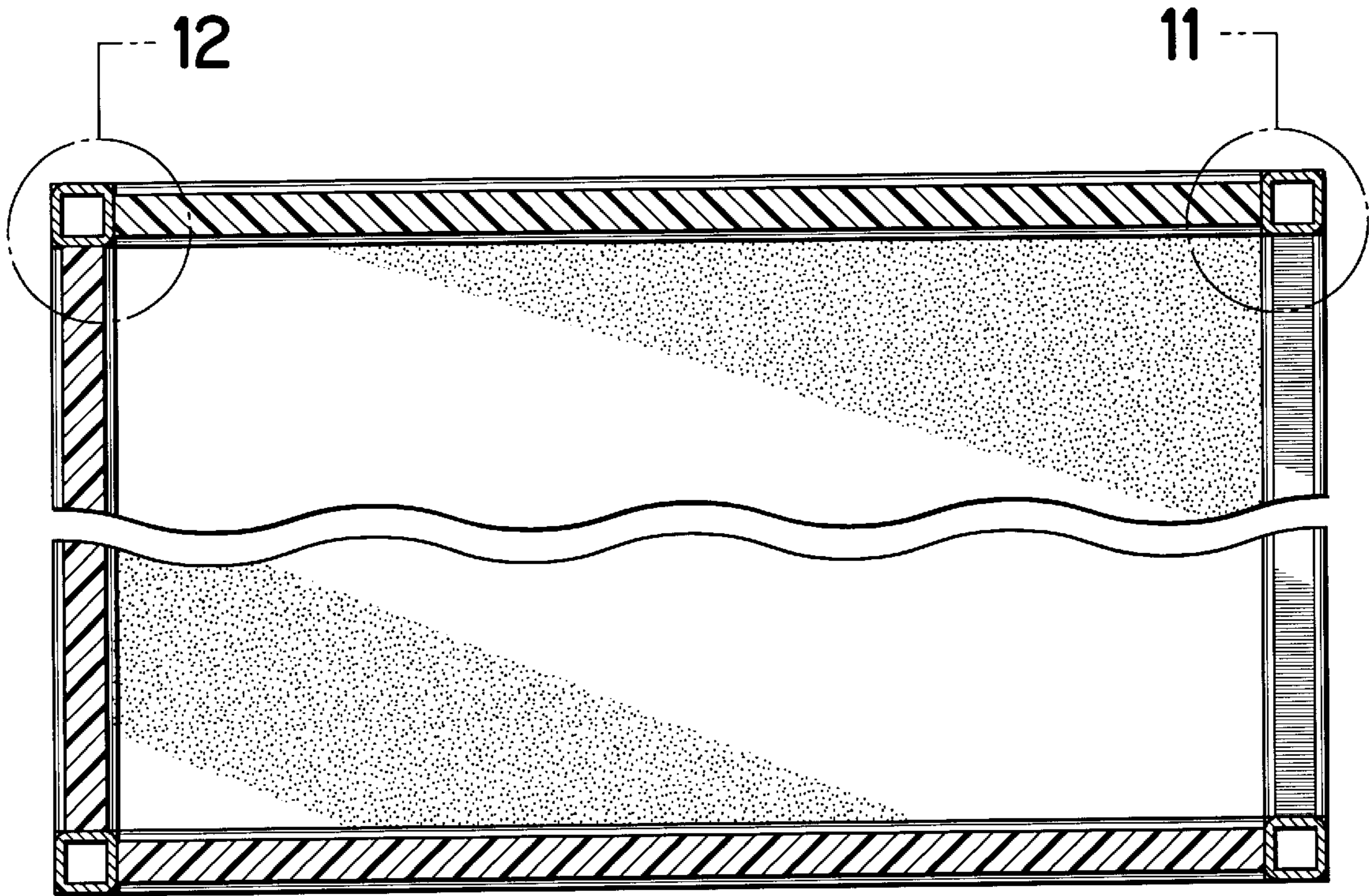


FIG. 8

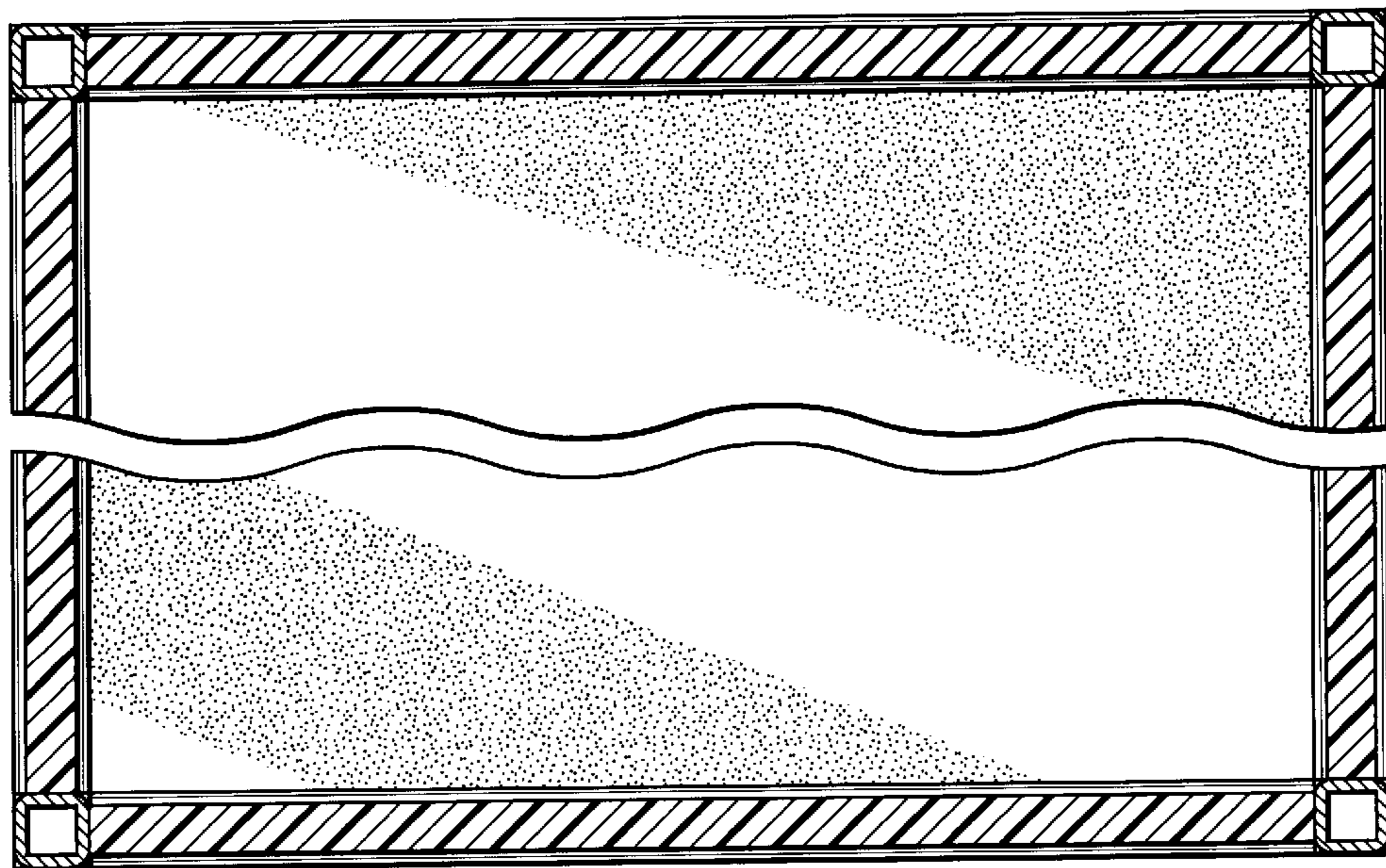
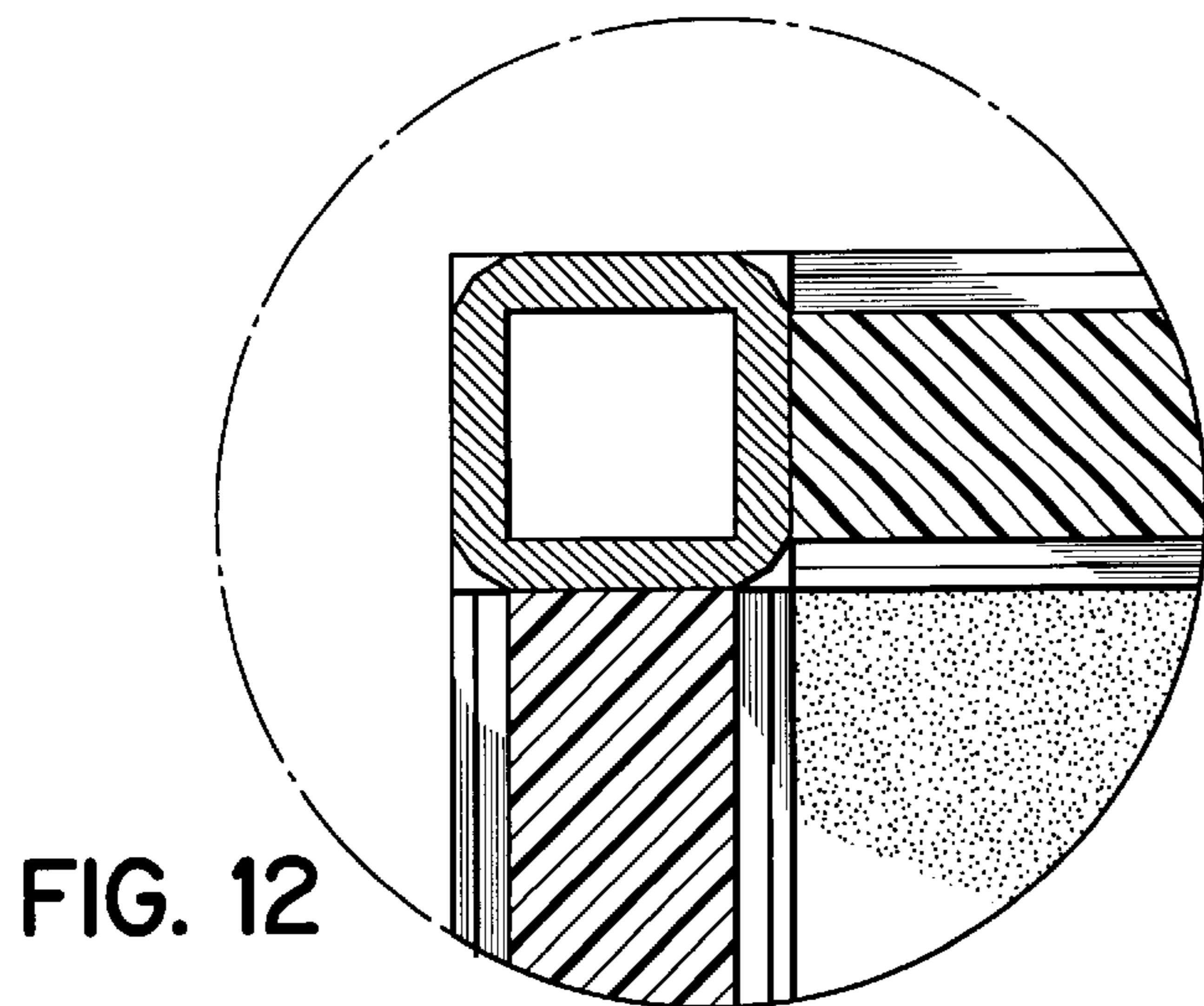
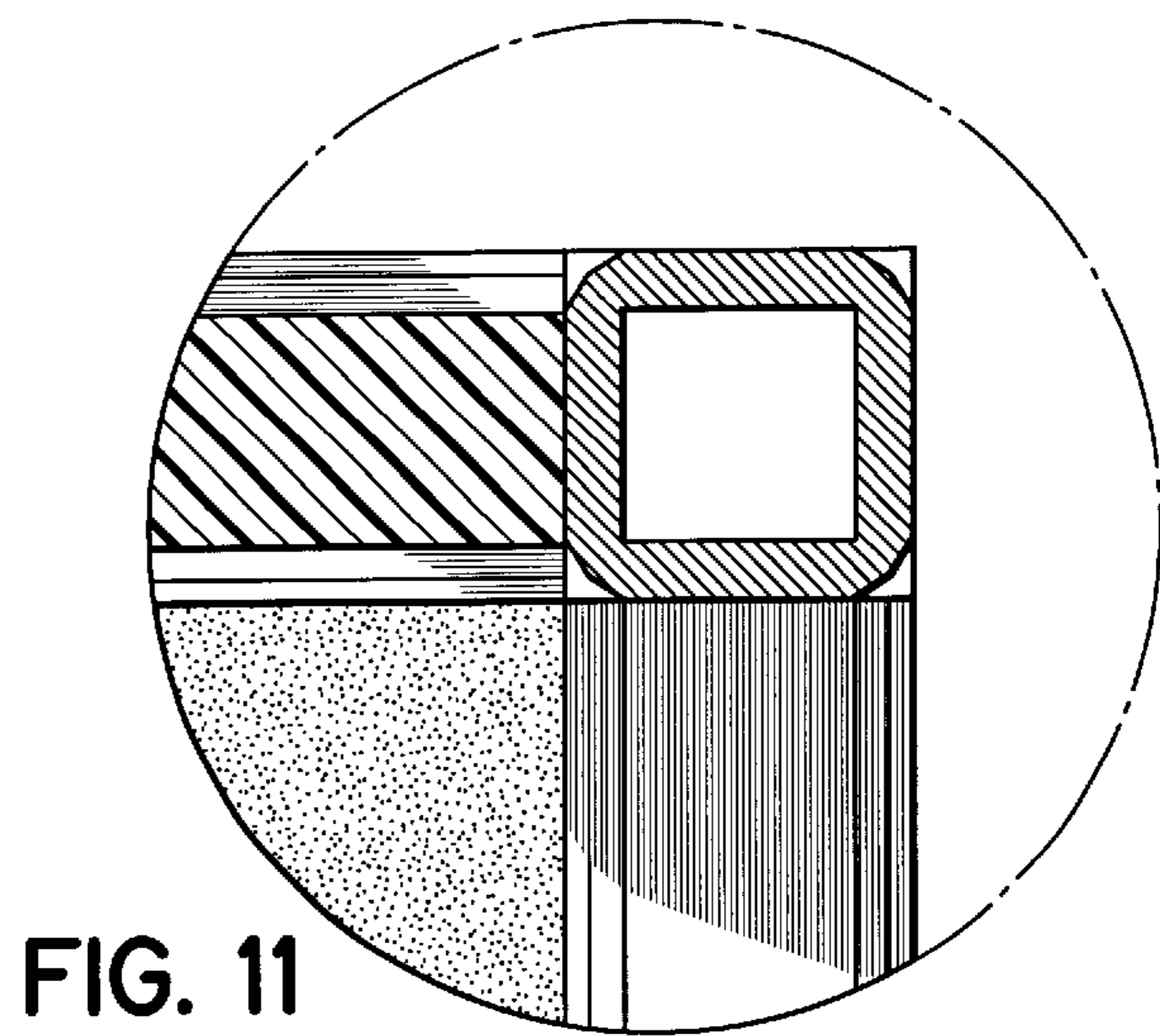
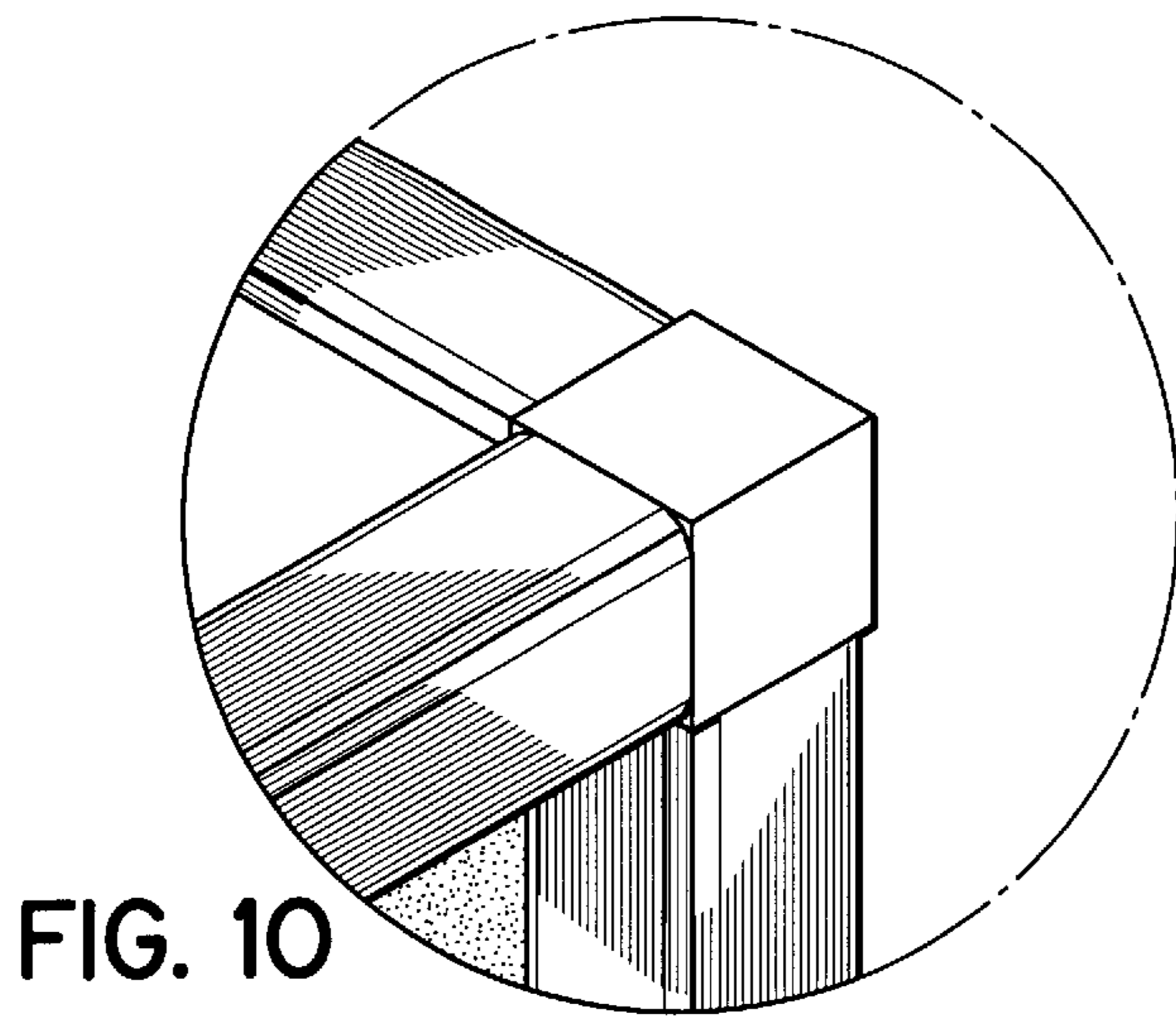


FIG. 9



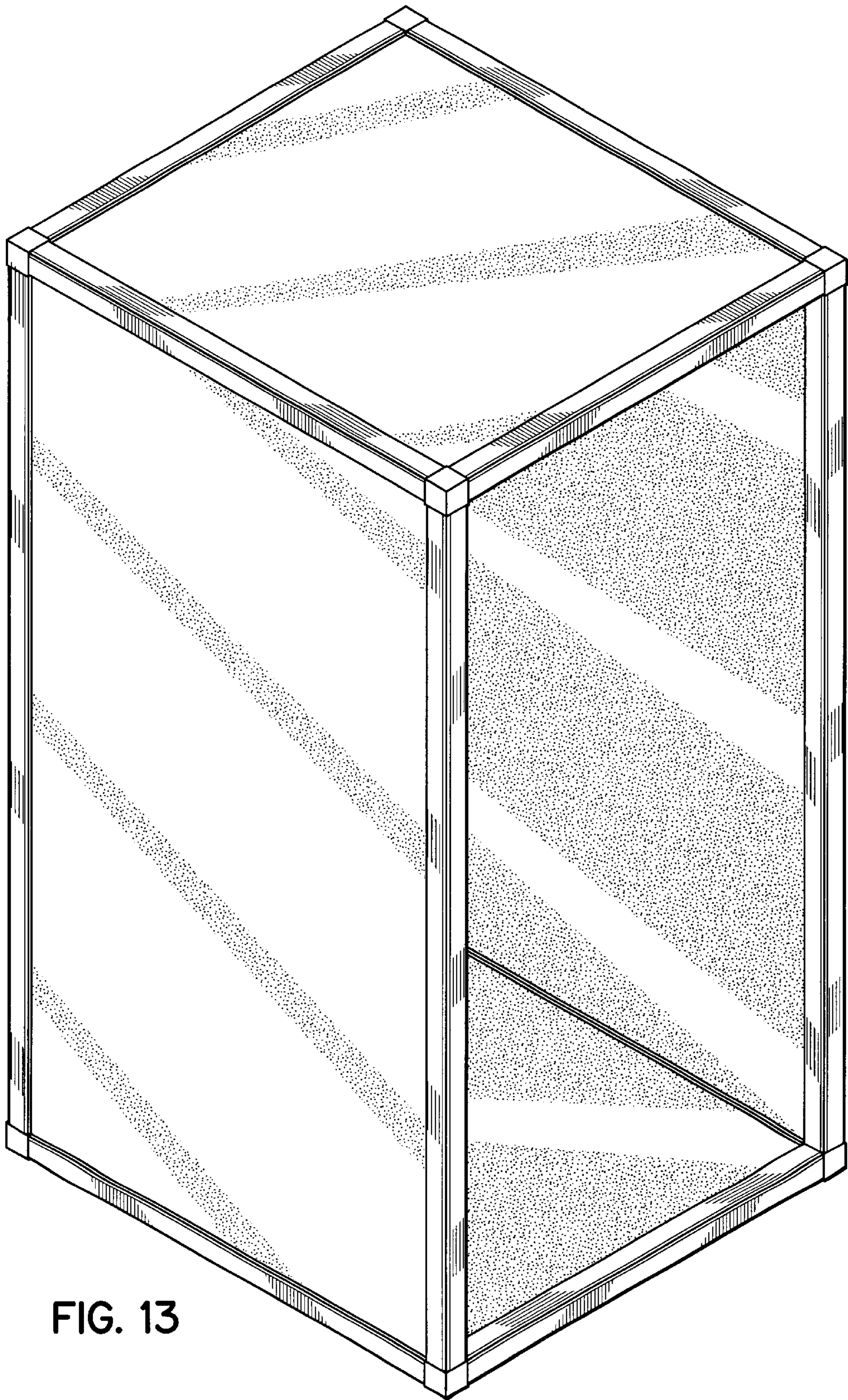


FIG. 13

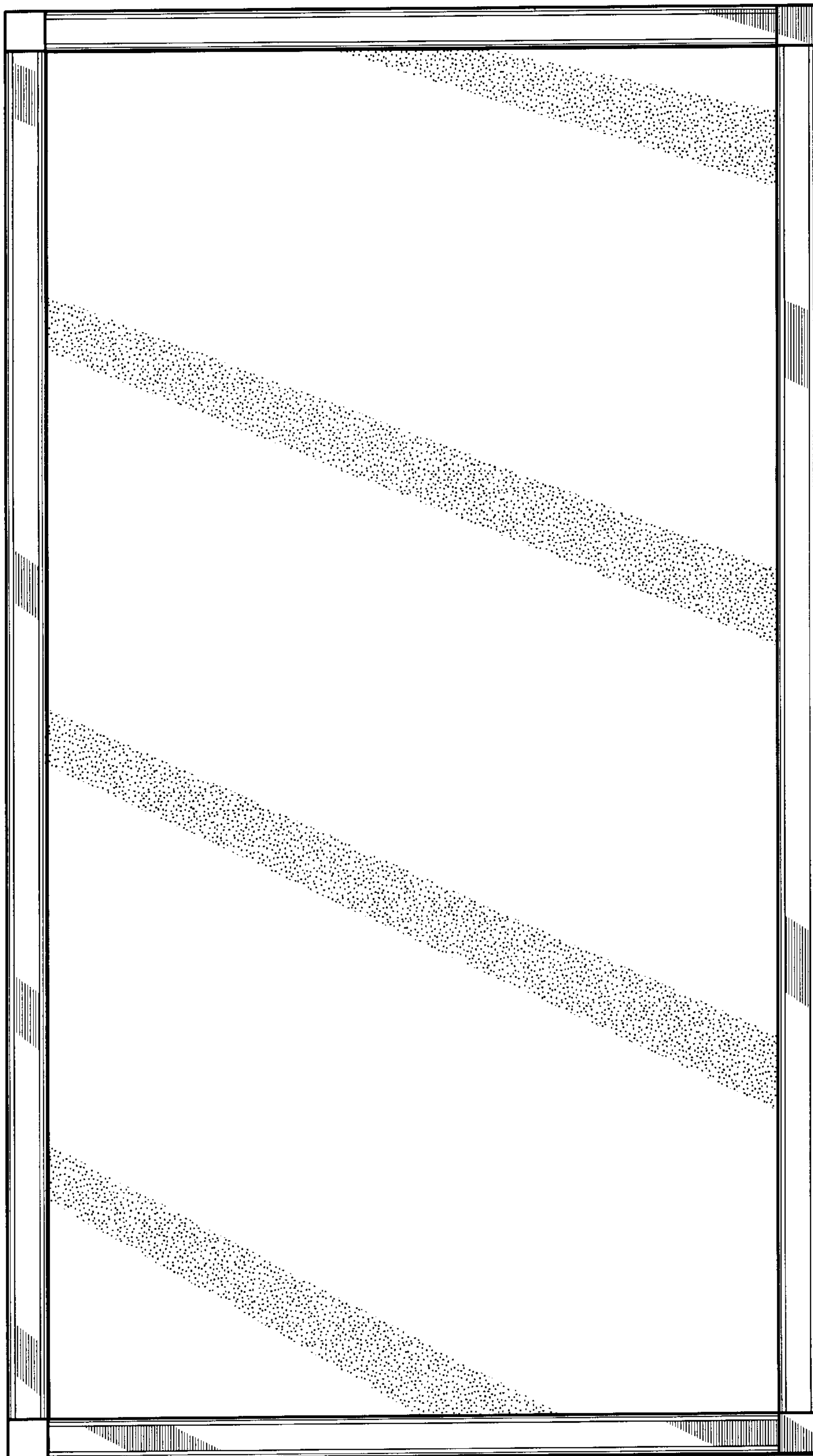


FIG. 14

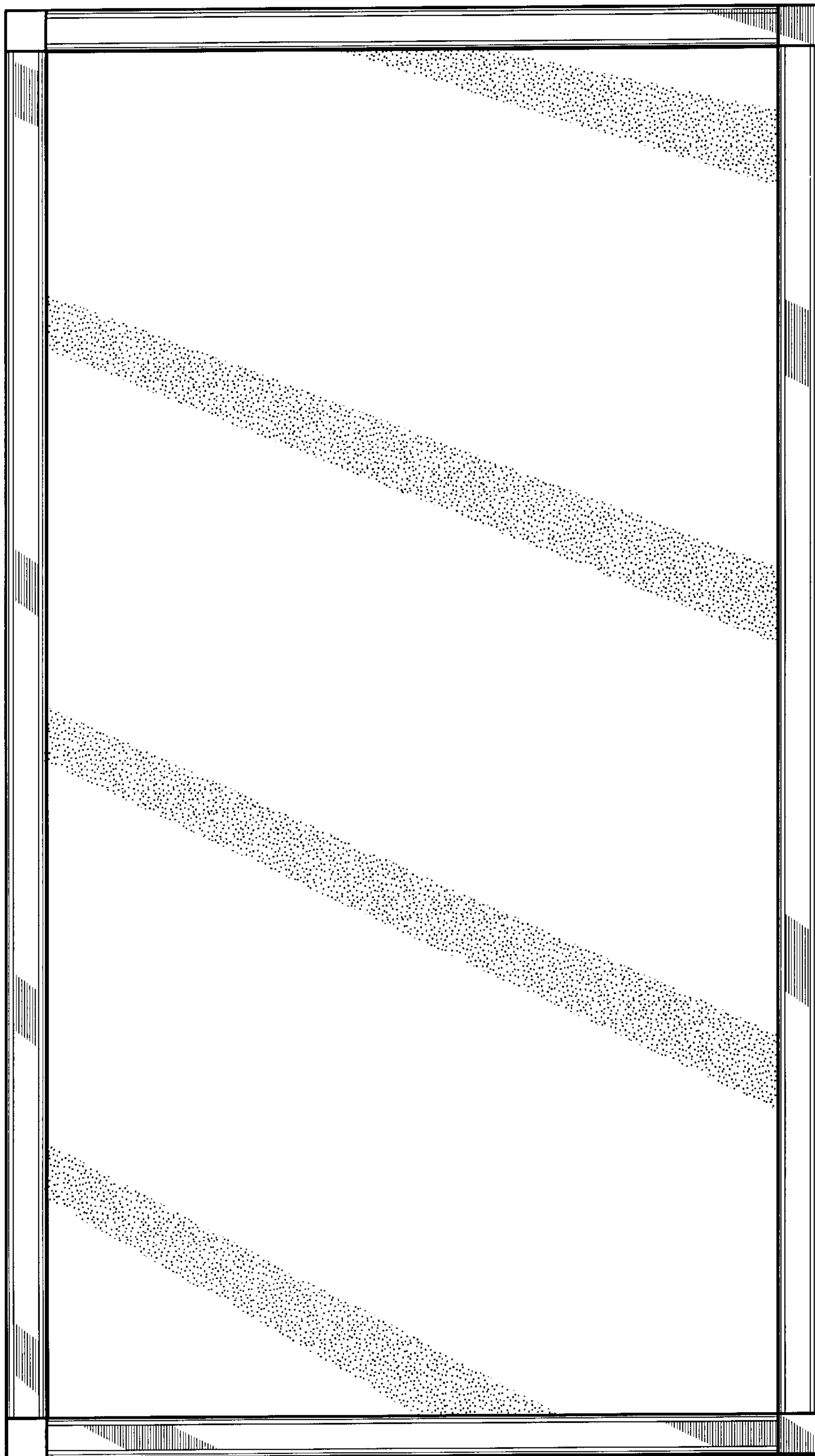


FIG. 15