



US00D478431S

(12) **United States Design Patent**
Britigan

(10) **Patent No.:** **US D478,431 S**

(45) **Date of Patent:** **** Aug. 19, 2003**

(54) **PORTABLE FOLDABLE FLORAL FIXTURE**

D436,270 S * 1/2001 Kane D6/486
D444,649 S * 7/2001 Amato Capone D6/396

(76) Inventor: **Marcy Britigan**, MEI, P.O. Box 1322,
LaGrange Park, IL (US) 60526

* cited by examiner

(**) Term: **14 Years**

Primary Examiner—Doris V. Coles
Assistant Examiner—Mimosa De
(74) *Attorney, Agent, or Firm*—William B. Ritchie

(21) Appl. No.: **29/159,223**

(22) Filed: **Apr. 17, 2002**

(57) **CLAIM**

(51) **LOC (7) Cl.** **06-06**

The ornamental design for portable foldable floral fixture, as shown and described.

(52) **U.S. Cl.** **D6/405**

(58) **Field of Search** D6/329, 396, 403,
D6/404, 405, 486, 449; D14/211, 224;
248/127, 146, 346.01, 346.03; D11/144;
108/66, 69, 96

DESCRIPTION

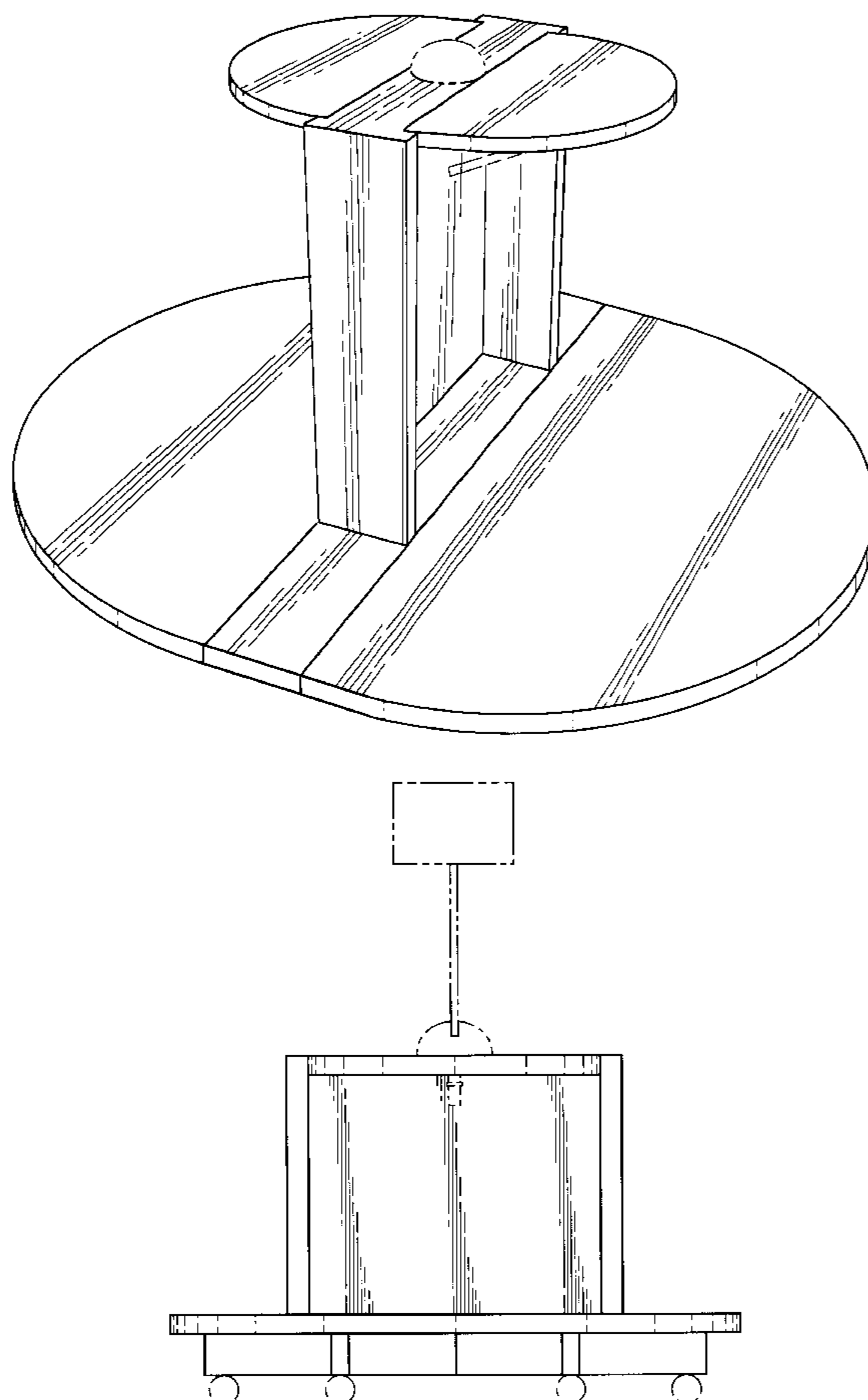
(56) **References Cited**

U.S. PATENT DOCUMENTS

1,213,127	A	*	1/1917	Osborne et al.	248/127
D50,419	S	*	3/1917	Hoyt	D11/144
D52,984	S	*	2/1919	Dippy	D6/449
D63,113	S	*	10/1923	Slinger	D11/153
5,363,772	A	*	11/1994	Adamidis	108/66
D357,605	S	*	4/1995	Kellen	D6/486
D401,454	S	*	11/1998	De Blaay	D6/486
D434,026	S	*	11/2000	Lewis	D14/211

FIG. 1 is a front isometric view of the portable foldable floral fixture fully opened in accordance with the invention. FIG. 2 is a left/right side elevational view of the portable foldable floral fixture shown in FIG. 1 with an optional display sign added. FIG. 3 is a top view of FIG. 1. FIG. 4 is bottom view of FIG. 1; and, FIG. 5 is front/back view of the portable foldable floral fixture also showing an optional display sign. The broken lines shown in the drawing are for illustrative purposes only and form no part of the claimed design.

1 Claim, 4 Drawing Sheets



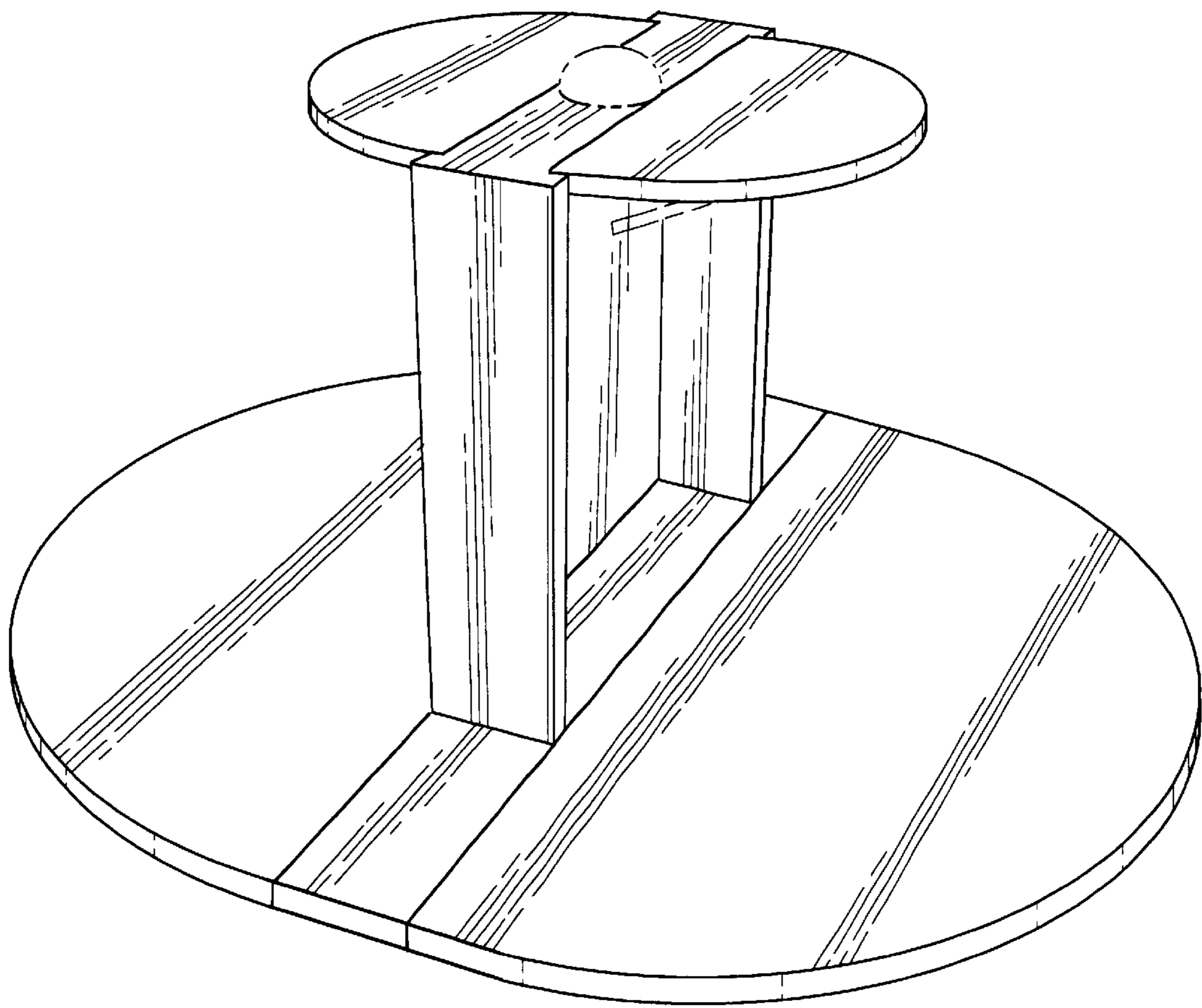


FIG. 1

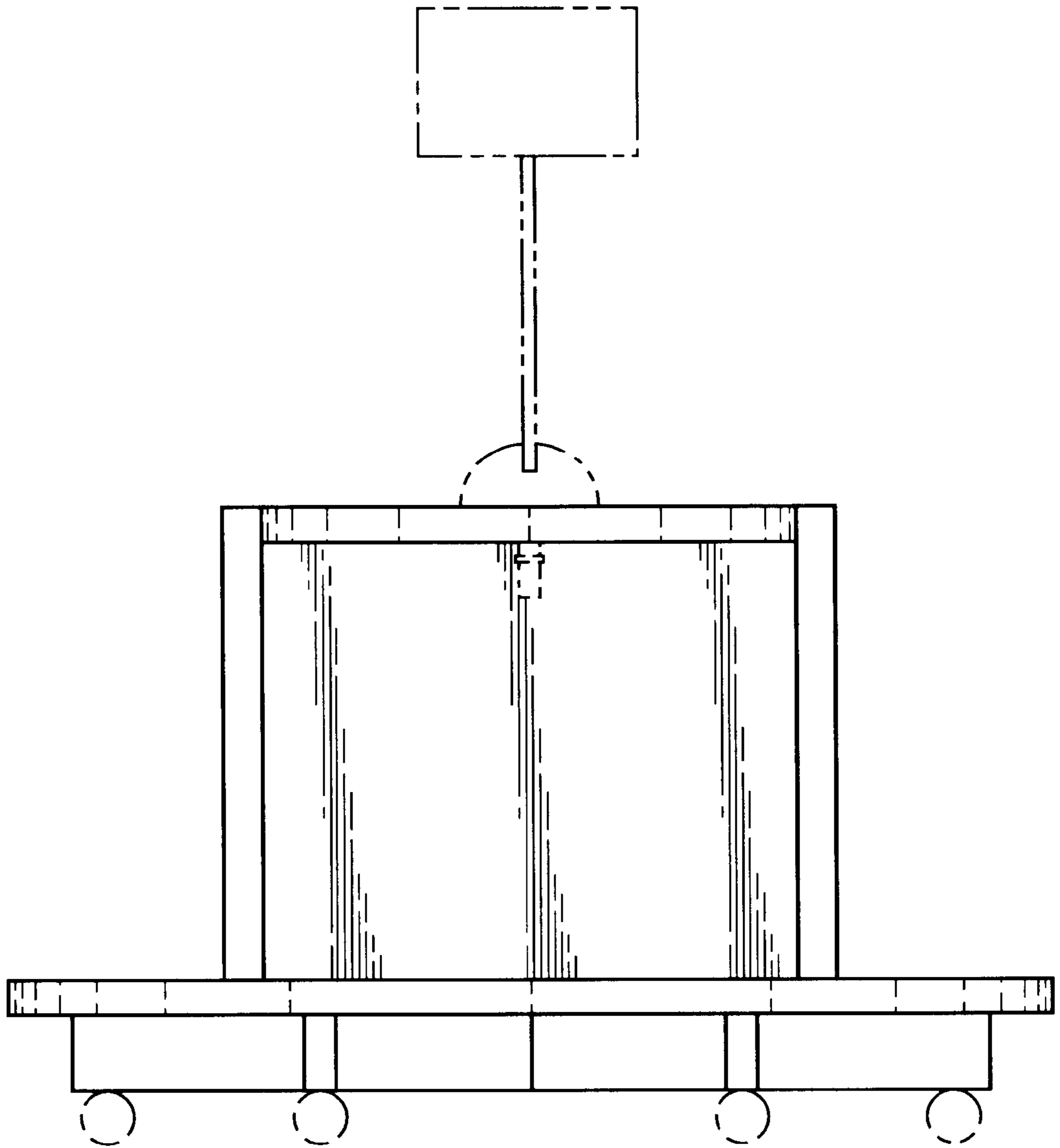


FIG. 2

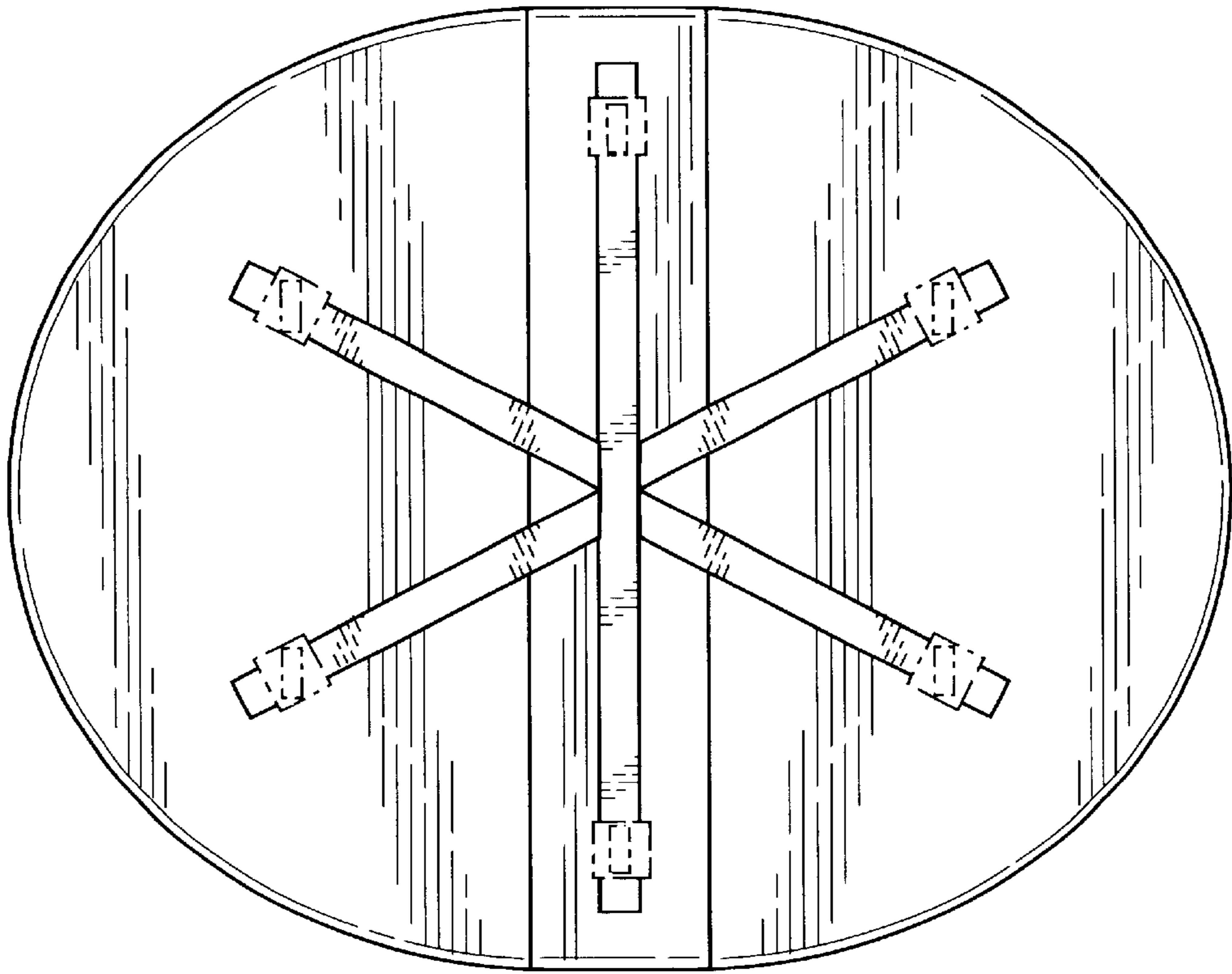


FIG. 4

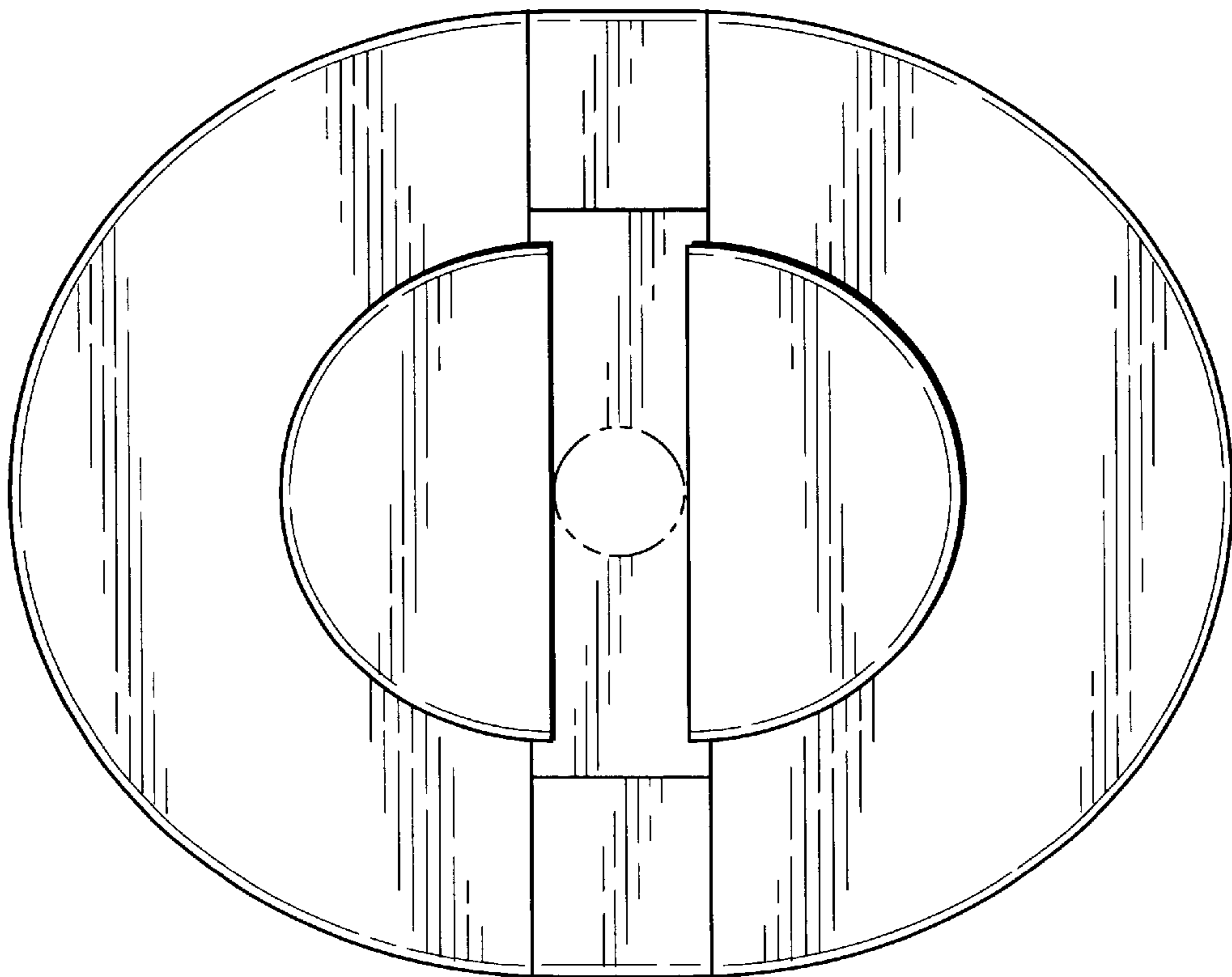


FIG. 3

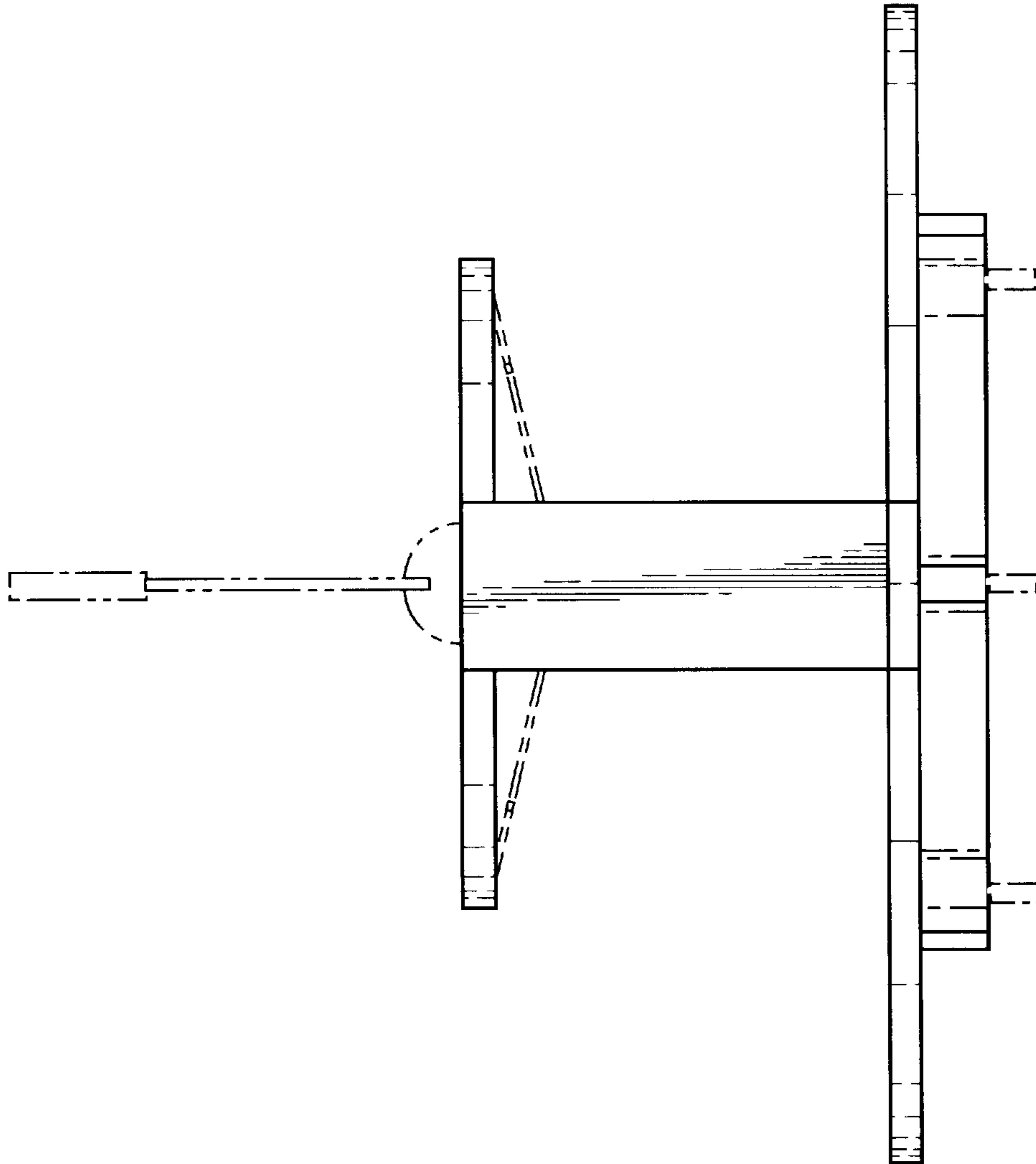


FIG. 5