



US00D478422S

(12) **United States Design Patent**
Chen

(10) **Patent No.:** **US D478,422 S**

(45) **Date of Patent:** **** Aug. 19, 2003**

(54) **GOLF BAG TOP DIVIDER**

(76) Inventor: **Chang-Lin Chen**, P.O. Box 453,
Taichung (TW)

(**) Term: **14 Years**

(21) Appl. No.: **29/150,043**

(22) Filed: **Nov. 2, 2001**

(51) **LOC (7) Cl.** **03-99**

(52) **U.S. Cl.** **D3/320**

(58) **Field of Search** D3/318, 319, 320,
D3/254, 255; 206/315.2, 315.3, 315.4, 315.5,
315.6, 315.7, 315.8; 211/70.2; 217/62;
248/96; 280/DIG. 6; 473/287

(56) **References Cited**

U.S. PATENT DOCUMENTS

D382,406 S * 8/1997 Kim D3/320
5,860,520 A * 1/1999 Tang 206/315.5 X
D407,900 S * 4/1999 Baird D3/320

D442,783 S * 5/2001 Pratt et al. D3/320
6,296,117 B1 * 10/2001 Chen 206/315.3 X
6,499,593 B1 * 12/2002 Uner et al. 211/70.2 X

* cited by examiner

Primary Examiner—Louis S. Zarfaz
Assistant Examiner—Monica A. Weingart

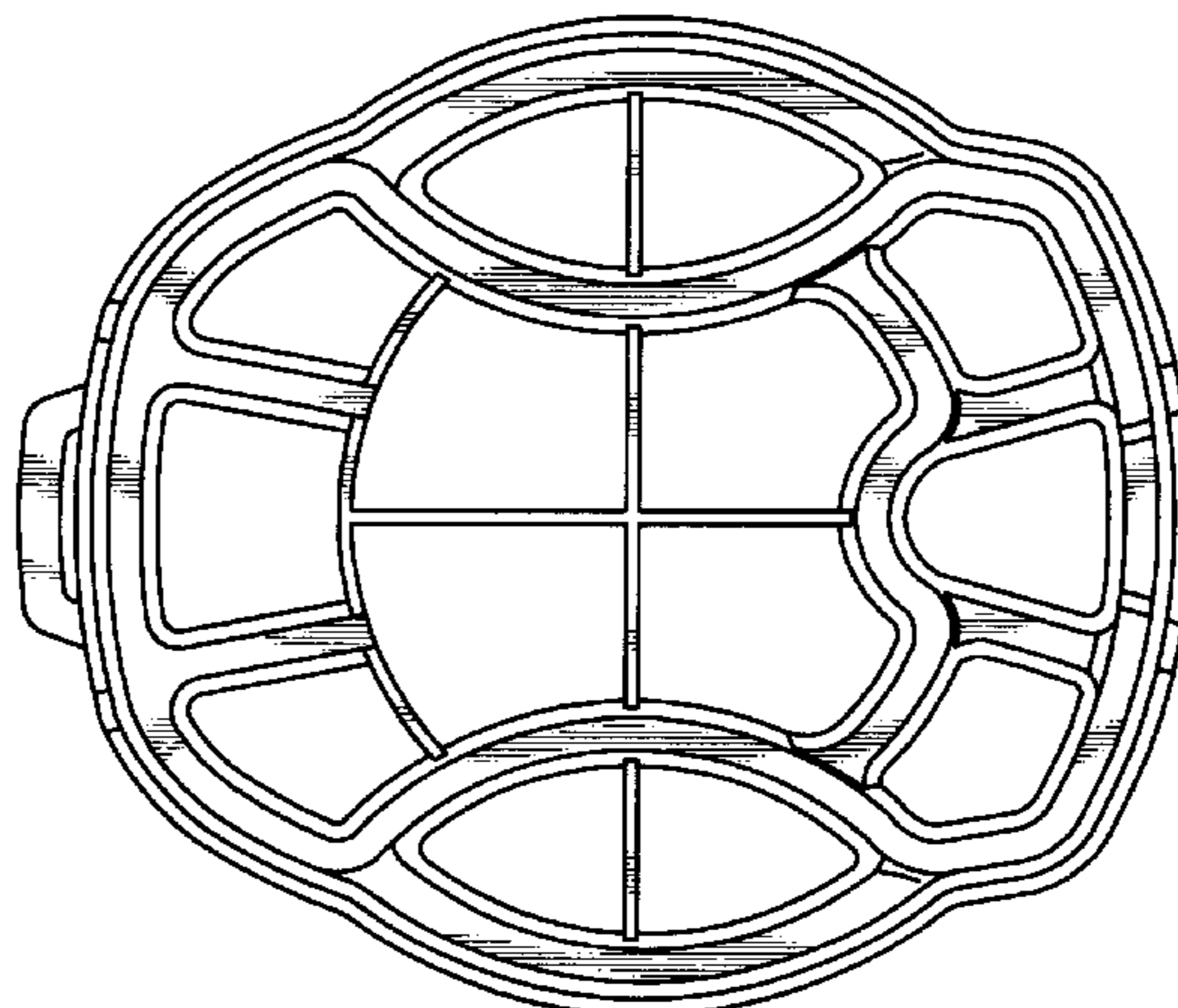
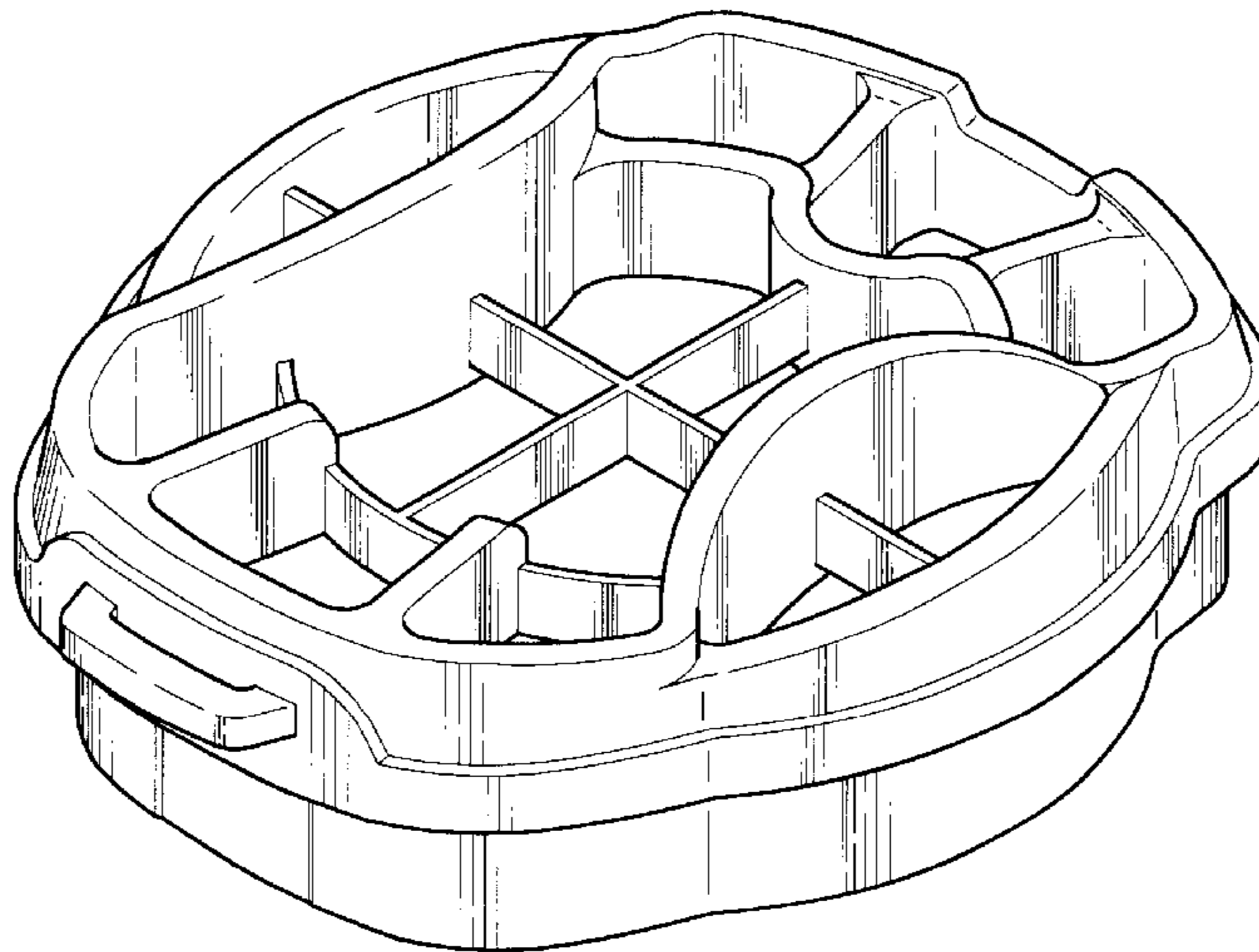
(57) **CLAIM**

I claim the ornamental design for a golf bag top divider, as shown and described.

DESCRIPTION

FIG. 1 is an upper perspective view of the golf bag top divider showing my new design.
FIG. 2 is a front view thereof;
FIG. 3 is a back view thereof;
FIG. 4 is a side view thereof;
FIG. 5 is an opposite side view thereof;
FIG. 6 is a top view thereof; and,
FIG. 7 is a bottom view thereof.

1 Claim, 4 Drawing Sheets



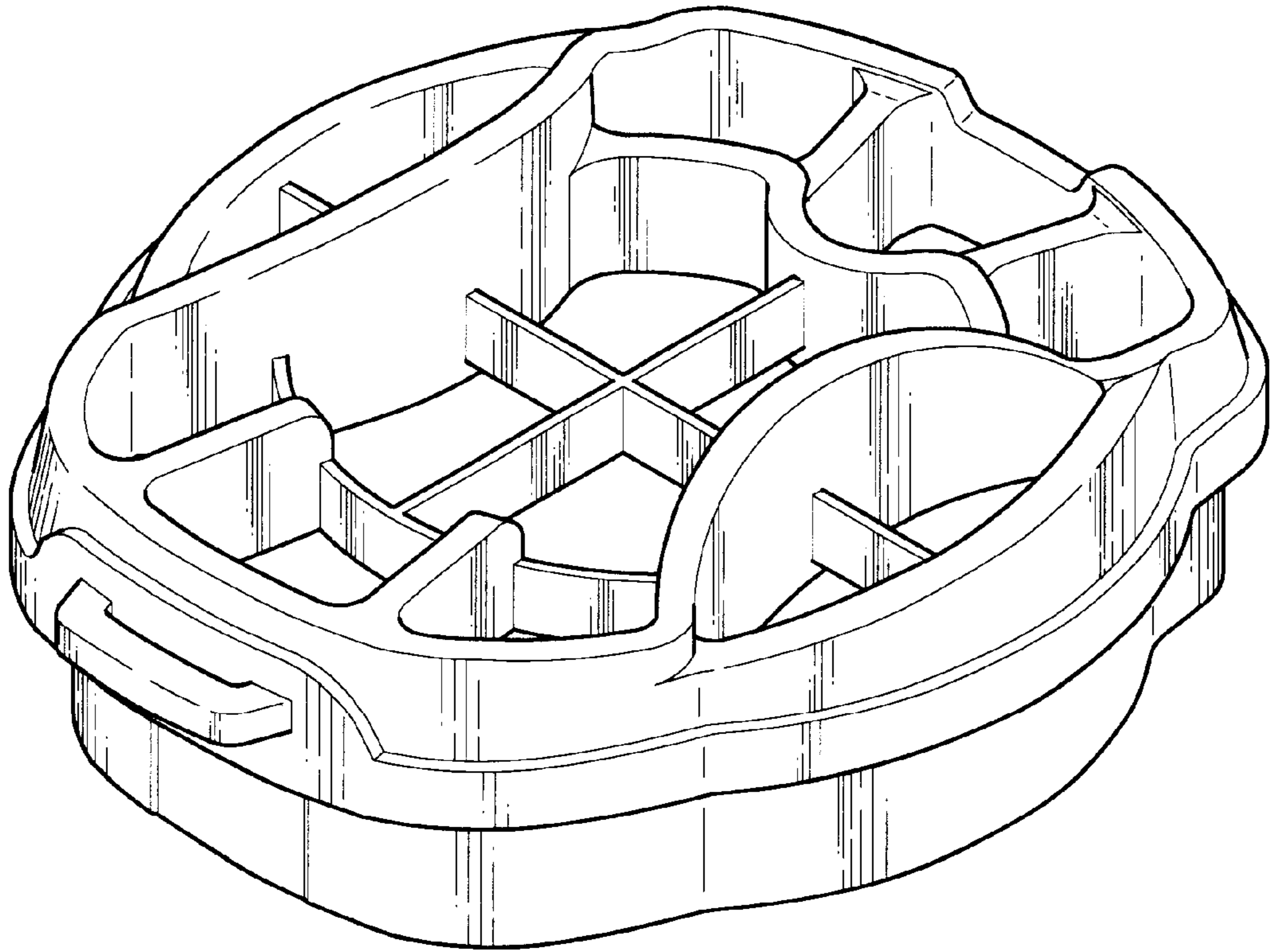


FIG.1

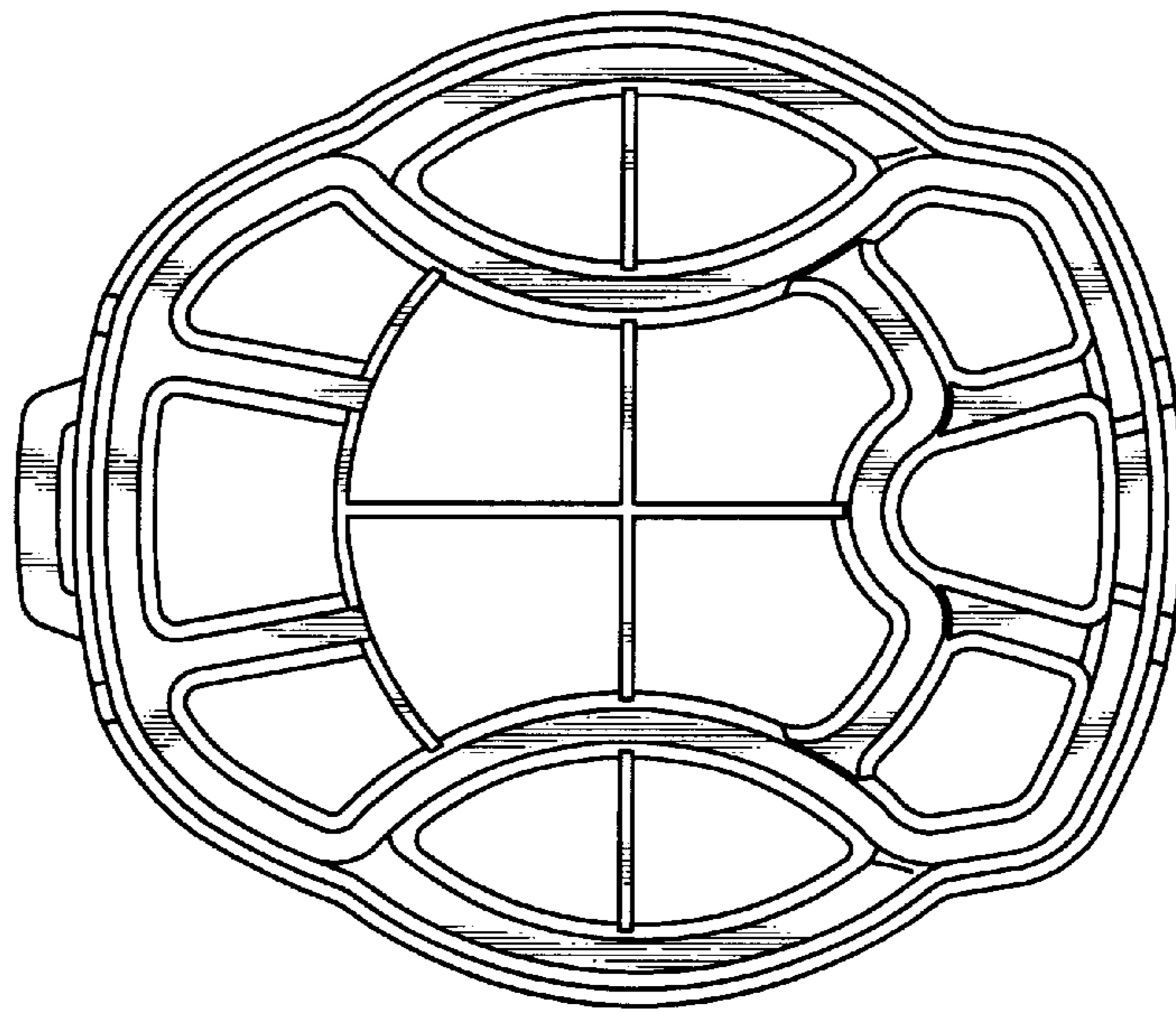


FIG. 2

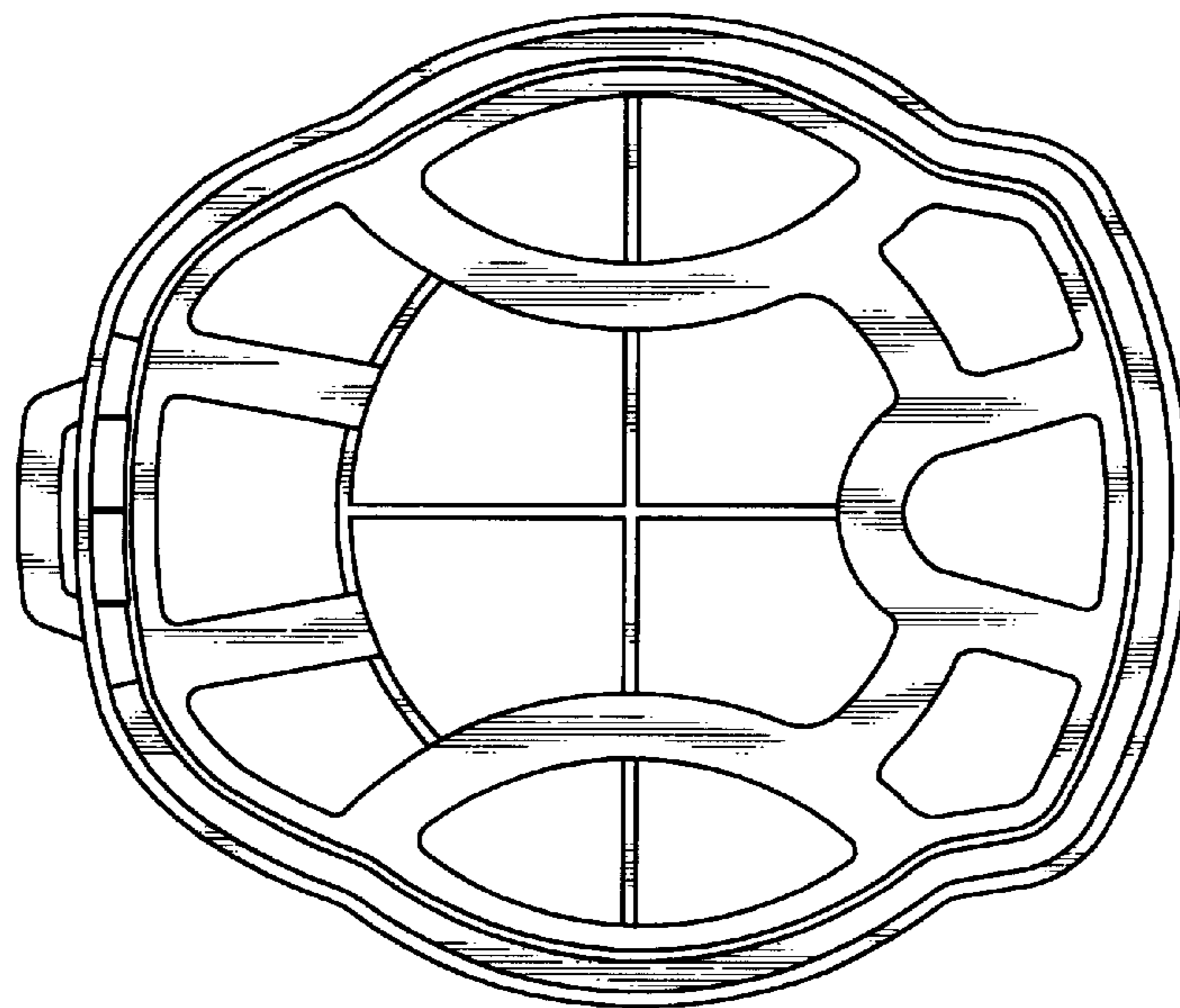


FIG. 3

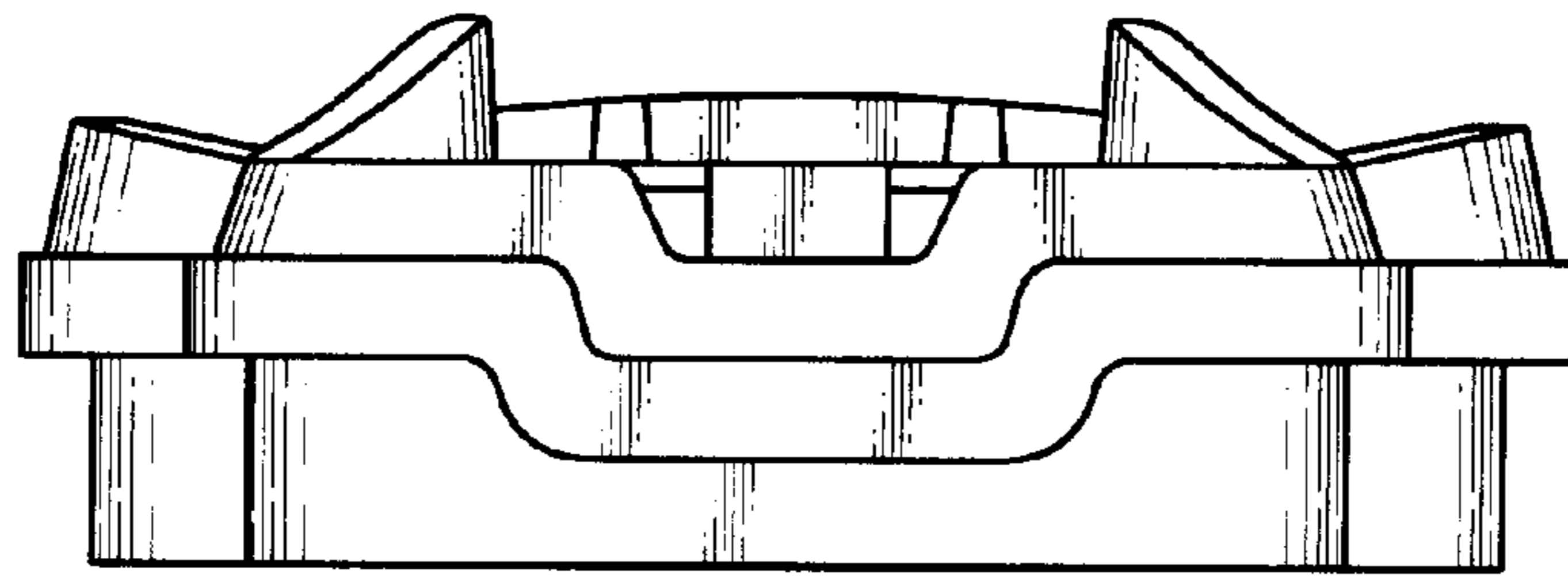


FIG.4

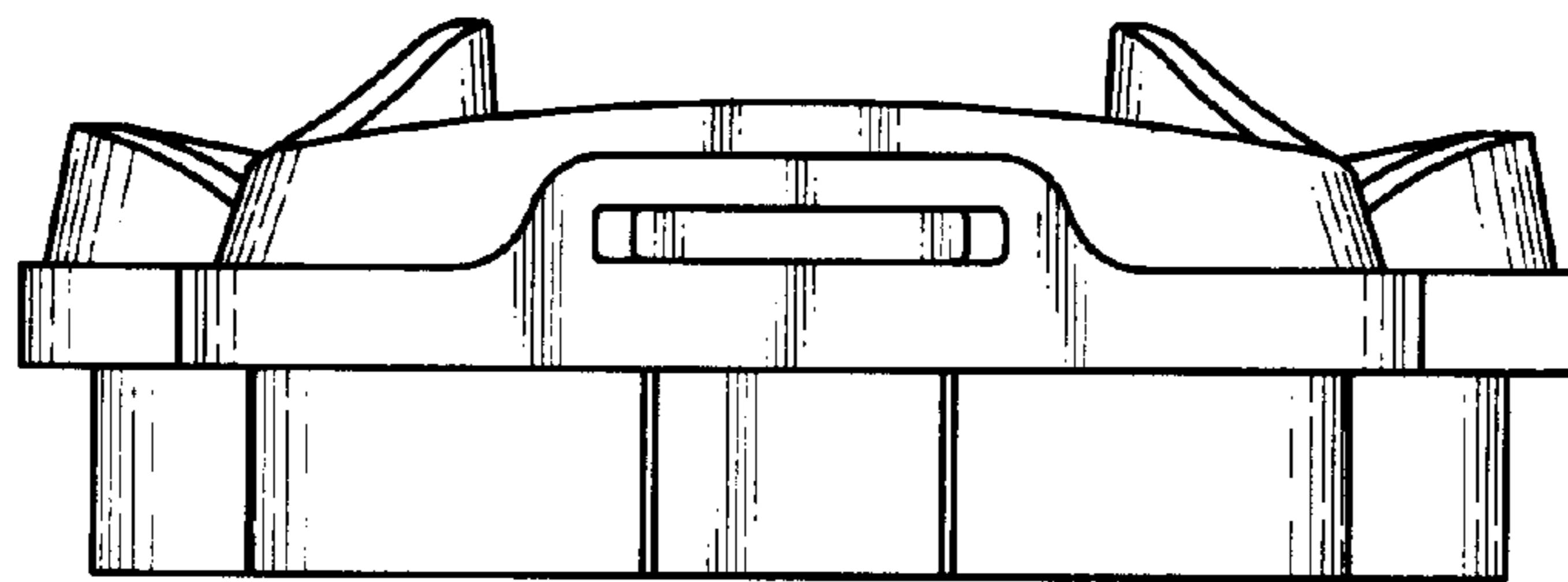


FIG.5

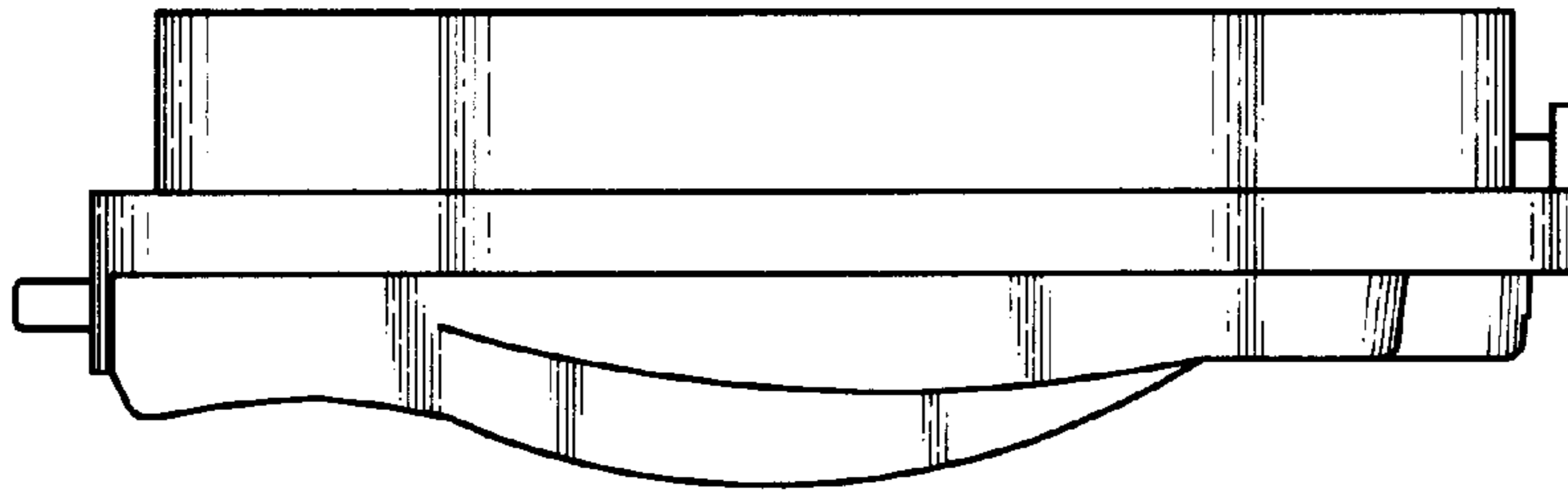


FIG. 6

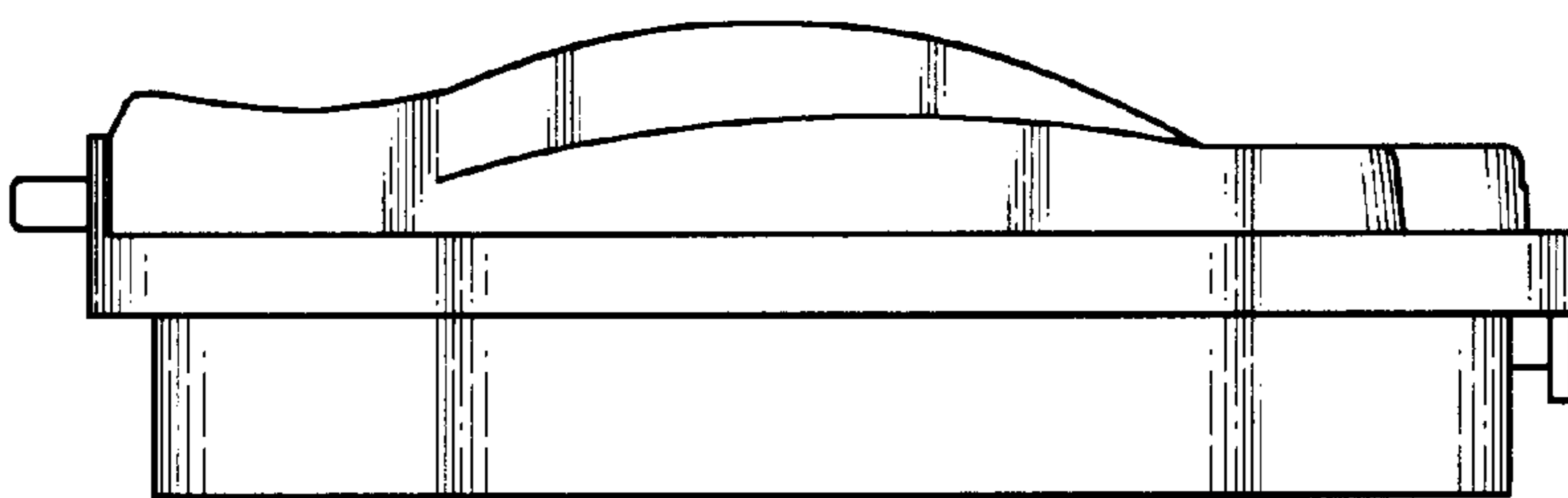


FIG. 7