



US00D478421S

(12) **United States Design Patent**  
**Overholt et al.**

(10) **Patent No.:** **US D478,421 S**

(45) **Date of Patent:** **\*\* Aug. 19, 2003**

(54) **CONTAINER**

(75) Inventors: **Trenton M. Overholt**, Manhattan Beach, CA (US); **Gerald R. Koefeldt**, Seal Beach, CA (US); **Roger S. Hsu**, Torrance, CA (US)

(73) Assignee: **Rehrig Pacific Company**, Los Angeles, CA (US)

(\*\*) Term: **14 Years**

4,163,495 A	8/1979	Drader
4,170,313 A	10/1979	Caves et al.
4,181,236 A	1/1980	Prodel
4,235,345 A	11/1980	VandeDrink et al.
4,300,695 A	11/1981	Hsu
4,314,686 A	2/1982	März
4,349,120 A	9/1982	DiNardo
4,663,803 A	5/1987	Gora
4,674,647 A	6/1987	Gyenge et al.
4,735,331 A	4/1988	Keenan et al.

(List continued on next page.)

(21) Appl. No.: **29/160,865**

(22) Filed: **May 16, 2002**

**Related U.S. Application Data**

(62) Division of application No. 29/129,827, filed on Sep. 21, 2000, now Pat. No. Des. 458,753.

(51) **LOC (7) Cl.** ..... **03-01**

(52) **U.S. Cl.** ..... **D3/304**

(58) **Field of Search** ..... D3/304, 315, 318, D3/321; 206/203, 501-509; D9/424, 429, 434; 220/675, 752, 771, 600, 608, 613, 623, 660, 669, 674, 676, DIG. 12-DIG. 15, 1.5

(56) **References Cited**

**U.S. PATENT DOCUMENTS**

3,446,415 A	5/1969	Bromley
3,628,683 A	12/1971	Friedrich
3,796,342 A	3/1974	Sanders et al.
3,874,546 A	4/1975	Sanders et al.
B 513,789	2/1976	Koen
3,973,692 A	8/1976	Cloyd
4,005,795 A	2/1977	Mikkelsen et al.
4,044,910 A	8/1977	Box
4,062,467 A	12/1977	Friedrich
4,081,099 A	3/1978	Shead

**FOREIGN PATENT DOCUMENTS**

DE	27 34 964 A1	2/1979
DE	43 19 099 A1	12/1994
EP	0 127 414	12/1984
EP	0 178211 A1	9/1985
EP	0 404041 A1	12/1990
EP	0 485 672 A1	5/1992
WO	WO 86/01182	2/1986
WO	WO 97/15502	5/1997
WO	WO 00/01586	1/2000
WO	WO 00/63084 A1	10/2000

*Primary Examiner*—Louis S. Zarfaz  
*Assistant Examiner*—Deanne Levy

(57) **CLAIM**

The ornamental design for a container, as shown and described.

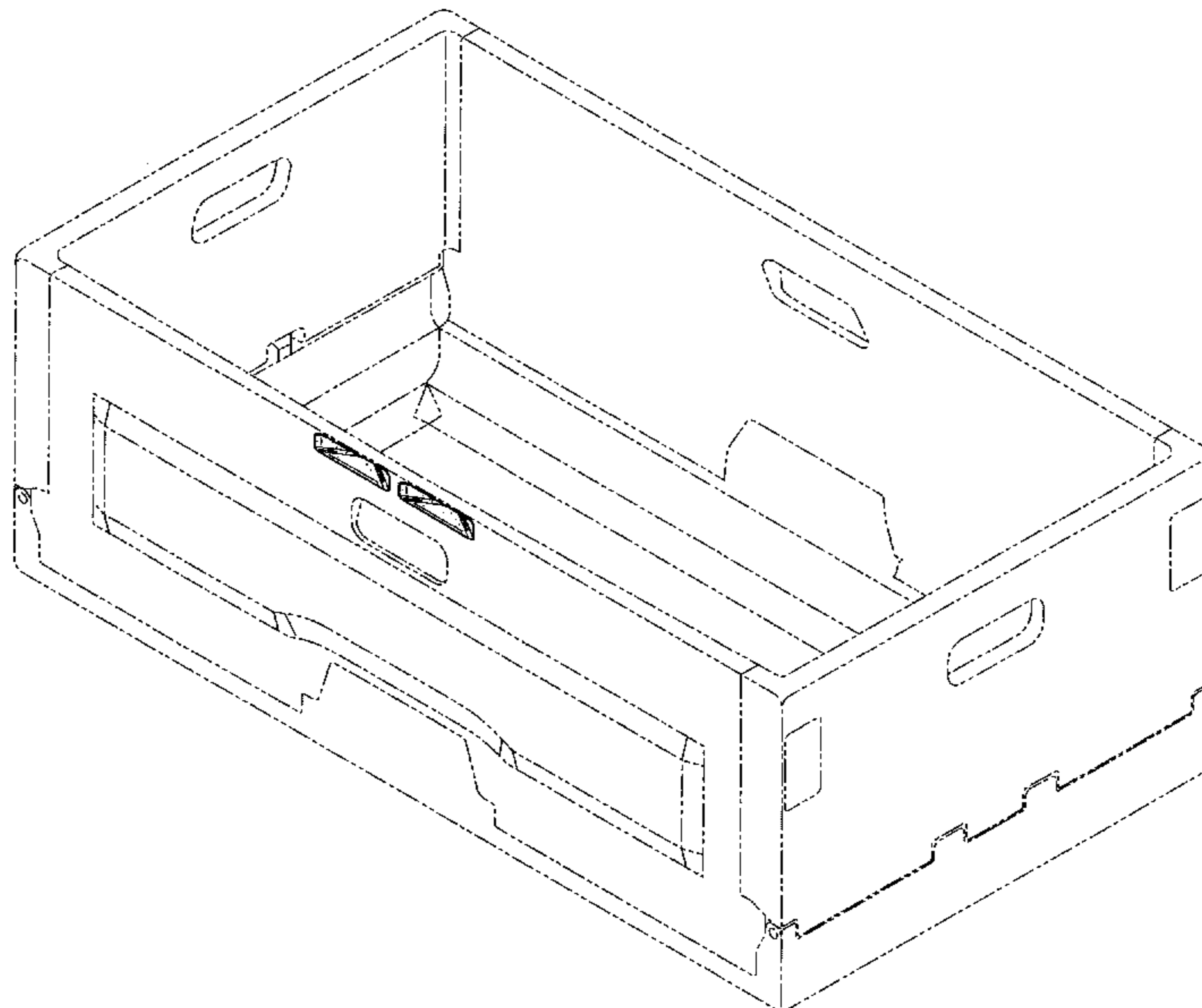
**DESCRIPTION**

FIG. 1 is a perspective view of a container showing the new design; and,

FIG. 2 is a first side elevational view of the container.

The broken lines in the Figures showing various elements and features of the container is for environmental purposes only and forms no part of the claimed design.

**1 Claim, 2 Drawing Sheets**



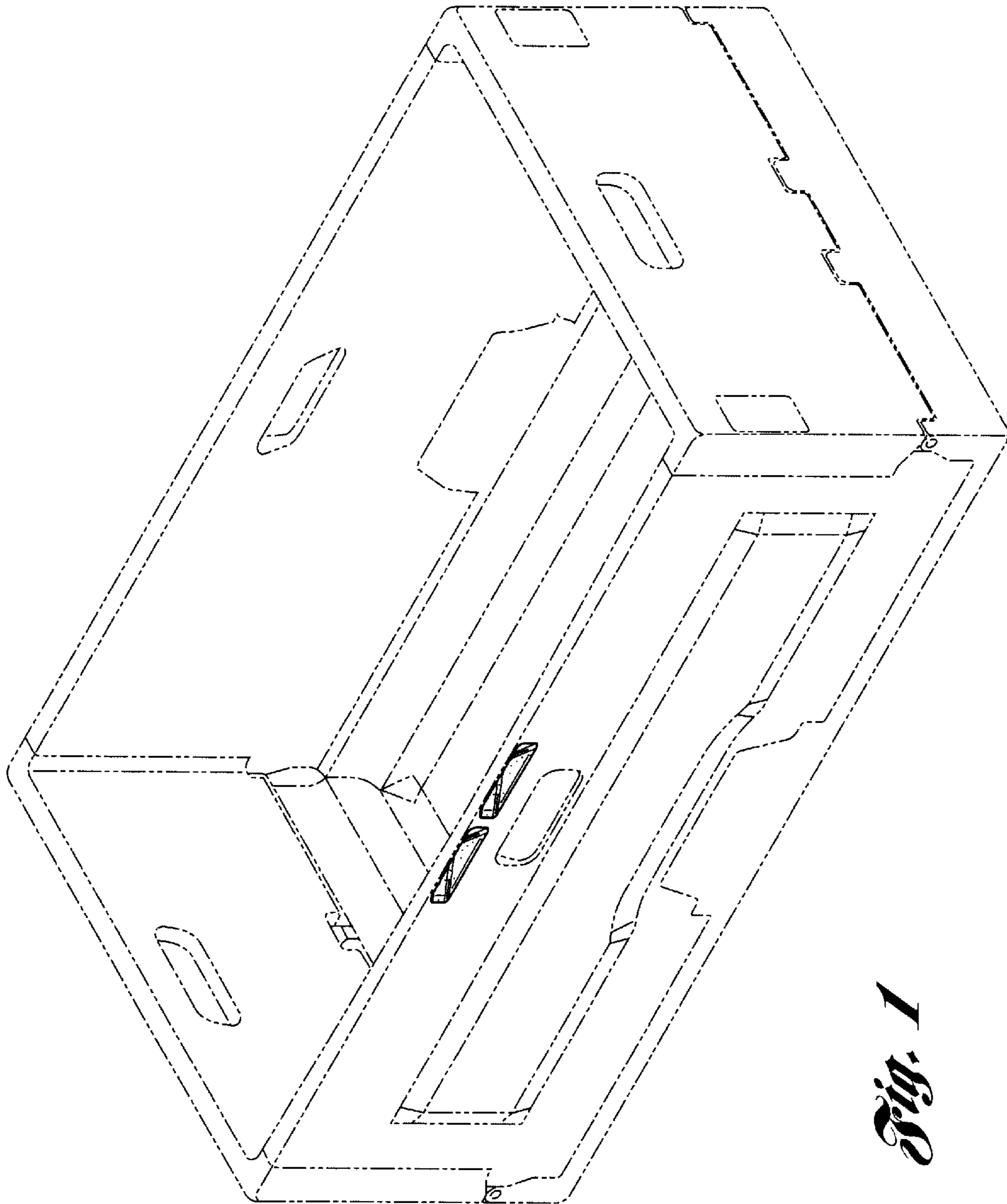
# US D478,421 S

Page 2

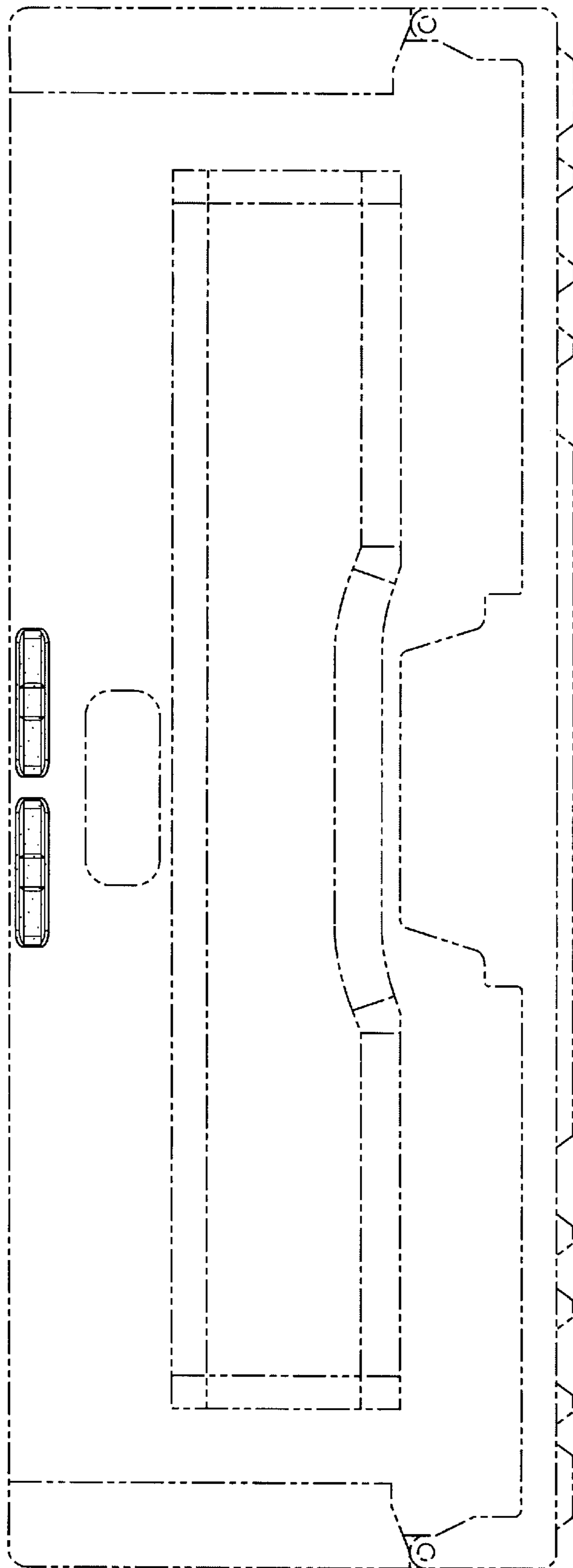
## U.S. PATENT DOCUMENTS

4,741,032 A	4/1988	Hampton	5,474,197 A	12/1995	Hillis et al.
4,765,480 A	8/1988	Malmanger	5,474,200 A	12/1995	Nicholson
4,775,068 A *	10/1988	Reiland et al. .... 220/1.5	5,515,987 A	5/1996	Jacques et al.
4,776,457 A	10/1988	Ferraroni	5,538,153 A	7/1996	Marovskis et al.
4,781,300 A	11/1988	Long	5,564,599 A	10/1996	Barber et al.
4,809,874 A	3/1989	Pehr	5,588,549 A	12/1996	Furtner
4,820,383 A	4/1989	Shchamorov et al.	5,622,276 A	4/1997	Simmons
4,846,089 A	7/1989	Cedergreen	5,632,392 A	5/1997	Oh
4,887,747 A	12/1989	Ostrowsky et al.	D381,513 S	7/1997	Brauner
D306,264 S	2/1990	Malmanger	5,671,857 A *	9/1997	Stromberg ..... 206/505
4,913,302 A	4/1990	Stonier	5,699,926 A	12/1997	Jacques et al.
4,923,079 A	5/1990	Foy	5,829,617 A	11/1998	Umiker
4,940,155 A	7/1990	Hewson	5,850,936 A	12/1998	Umiker
4,960,223 A	10/1990	Chiang et al.	5,853,099 A	12/1998	Lessard
4,967,927 A	11/1990	Reiland et al.	D413,439 S *	9/1999	Bell ..... D9/424
4,979,634 A	12/1990	Begley	5,975,324 A	11/1999	Schmitt
5,038,953 A	8/1991	Radar	6,015,056 A	1/2000	Overholt et al.
5,048,715 A	9/1991	Wolff	6,029,840 A	2/2000	Brauner
5,076,457 A	12/1991	Marovskis	D423,217 S	4/2000	Varfeldt
5,114,037 A	5/1992	Hillis et al.	D424,298 S *	5/2000	Laib ..... D3/307
5,161,709 A	11/1992	Oestreich, Jr.	D424,299 S *	5/2000	Varfeldt ..... D3/309
5,183,180 A	2/1993	Hawkins et al.	6,073,790 A	6/2000	Umiker
5,289,935 A	3/1994	Hillis et al.	6,098,827 A	8/2000	Overholt et al.
5,328,048 A	7/1994	Stein	6,131,757 A	10/2000	Clark et al.
D349,813 S *	8/1994	Schwartzkopf ..... D3/304	6,142,329 A	11/2000	Dotan
5,353,948 A	10/1994	Lanoue et al.	D446,392 S	8/2001	Overholt et al.
5,398,834 A	3/1995	Umiker	D452,614 S	1/2002	Overholt
5,429,261 A	7/1995	Machino	D458,753 S	6/2002	Overholt et al.

\* cited by examiner



*Fig. 1*



*Fig. 2*