



US00D478420S

(12) **United States Design Patent**  
**Li**

(10) **Patent No.:** **US D478,420 S**

(45) **Date of Patent:** **\*\* Aug. 19, 2003**

(54) **BAG FOR MONITOR OR SCREEN FOR ATTACHING TO VEHICLE**

(76) **Inventor:** **Hsiu-Chu Hsu Li**, P.O. Box 4-67, Hsin Chuang, Taipei (TW), 242

(\*\*) **Term:** **14 Years**

(21) **Appl. No.:** **29/167,086**

(22) **Filed:** **Sep. 7, 2002**

(51) **LOC (7) Cl.** ..... **03-01**

(52) **U.S. Cl.** ..... **D3/287; D3/289**

(58) **Field of Search** ..... D3/273, 276, 283, D3/287, 289, 301, 285, 267; D12/416; 206/320, 328, 720; 190/100, 109, 110, 111, 112, 113; 296/37.16, 37.15

(56) **References Cited**

**U.S. PATENT DOCUMENTS**

D273,533 S	*	4/1984	Weinreb	.....	D3/268
D273,534 S	*	4/1984	Weinreb	.....	D3/268
D286,703 S	*	11/1986	Katz et al.	.....	D3/283
D286,704 S	*	11/1986	Katz et al.	.....	D3/287

D341,026 S	*	11/1993	Barker	.....	D3/287
D373,515 S	*	9/1996	Melk	.....	D7/607
D401,062 S	*	11/1998	Hauschild	.....	D3/287
D412,269 S	*	7/1999	Wyant	.....	D7/709
6,216,927 B1	*	4/2001	Meritt	.....	224/275
6,283,299 B1	*	9/2001	Lee	.....	206/760

\* cited by examiner

*Primary Examiner*—Philip S. Hyder

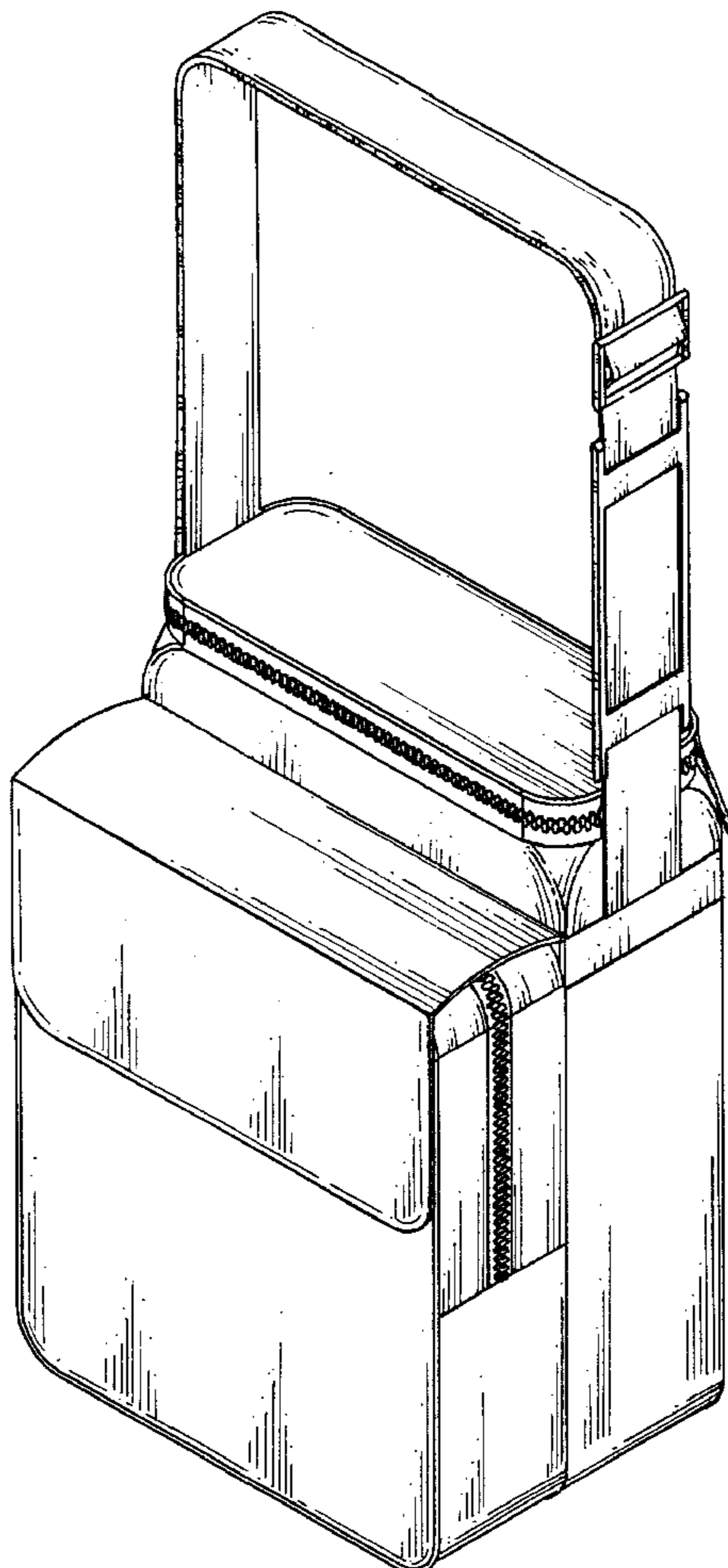
(57) **CLAIM**

The ornamental design for a bag for monitor or screen for attaching to vehicle, as shown and described.

**DESCRIPTION**

FIG. 1 is a perspective view of a bag for monitor or screen for attaching to vehicle, showing my new design; FIG. 2 is a front elevational view thereof; FIG. 3 is a rear elevational view thereof; FIG. 4 is a top plan view thereof; FIG. 5 is a bottom plan view thereof; FIG. 6 is a left side elevational view thereof; and, FIG. 7 is a right side elevational view thereof.

**1 Claim, 5 Drawing Sheets**



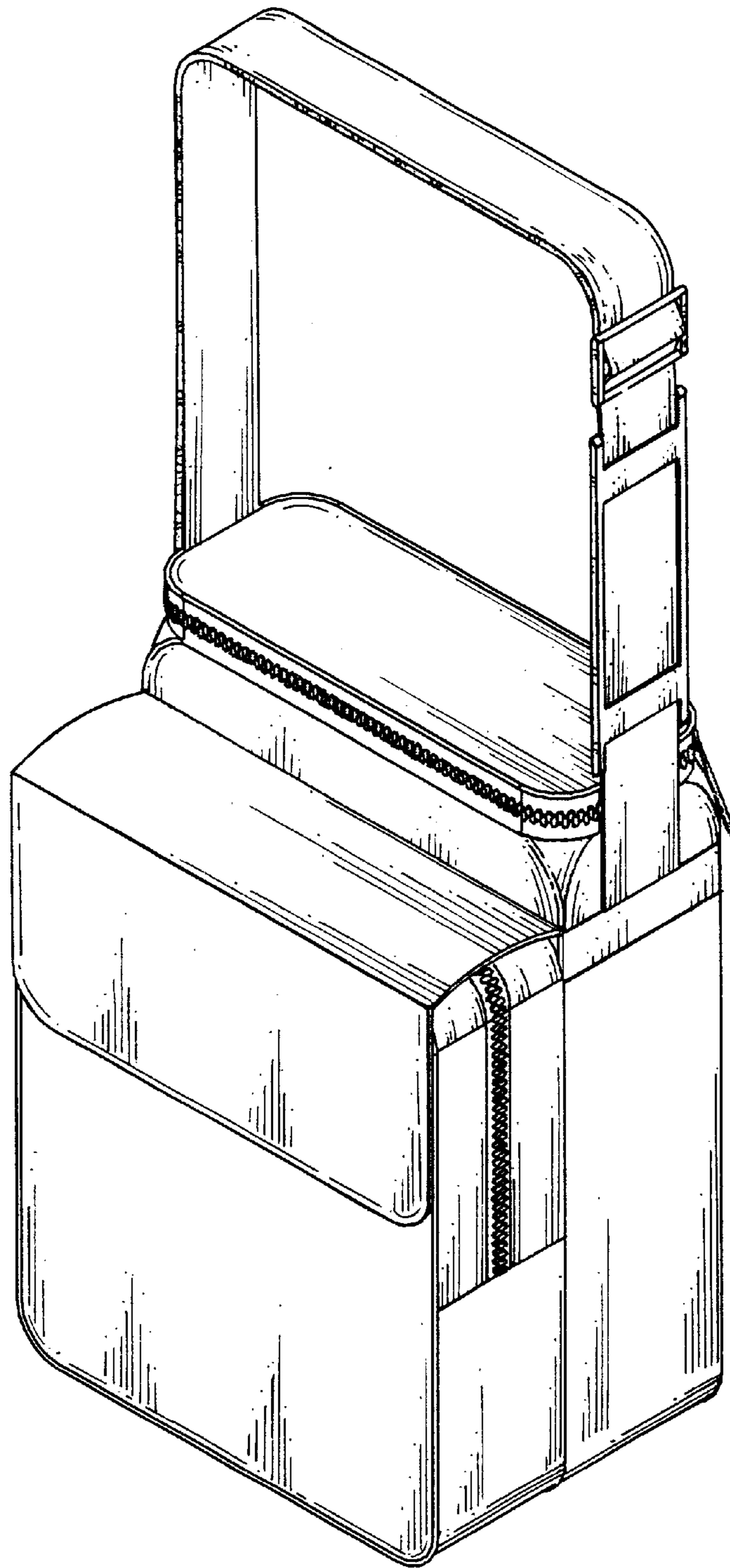


FIG. 1

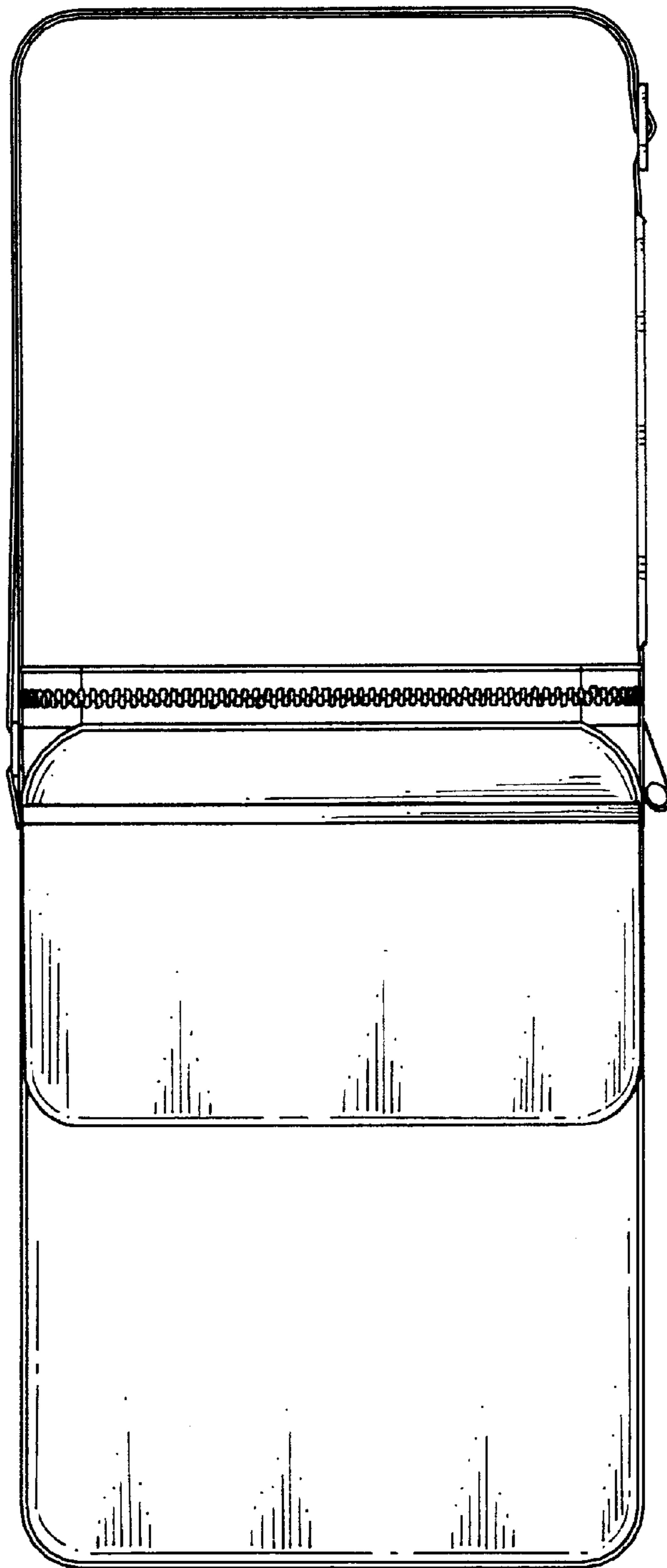


FIG. 2

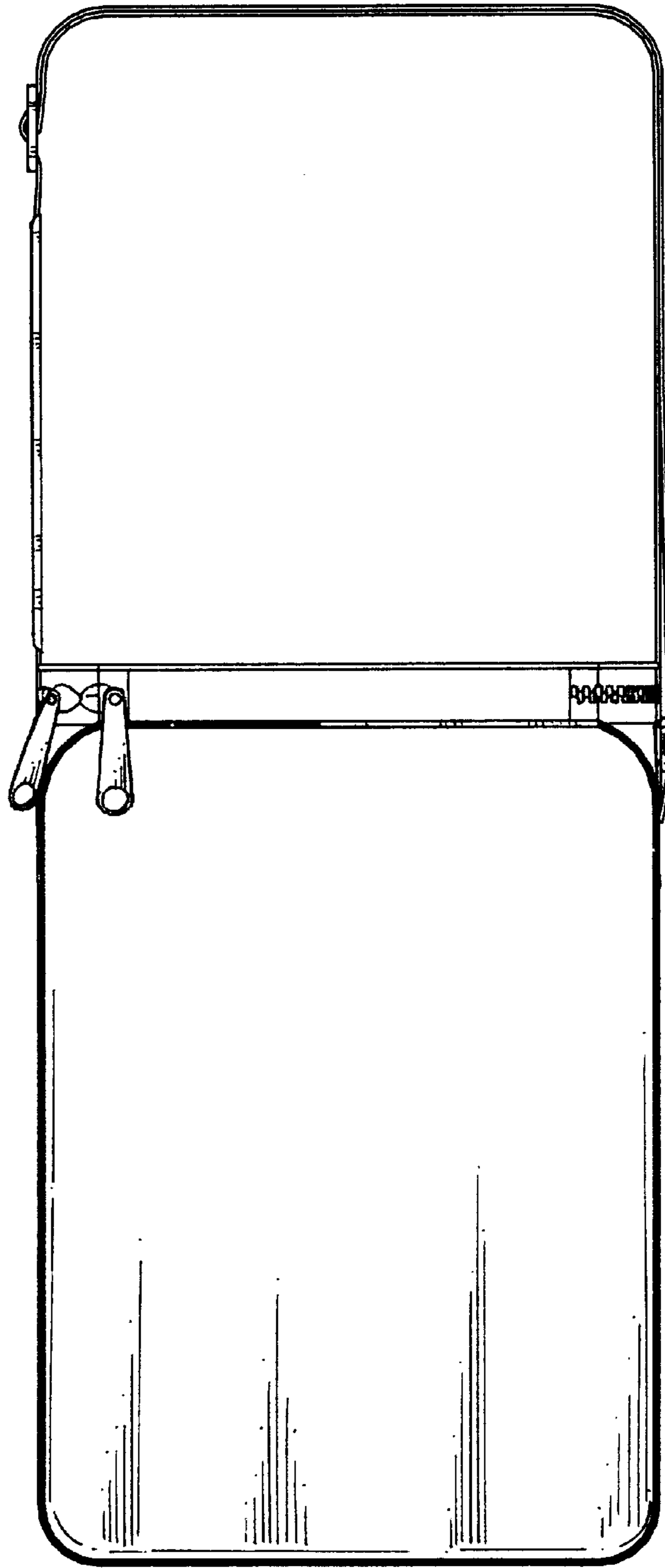


FIG. 3

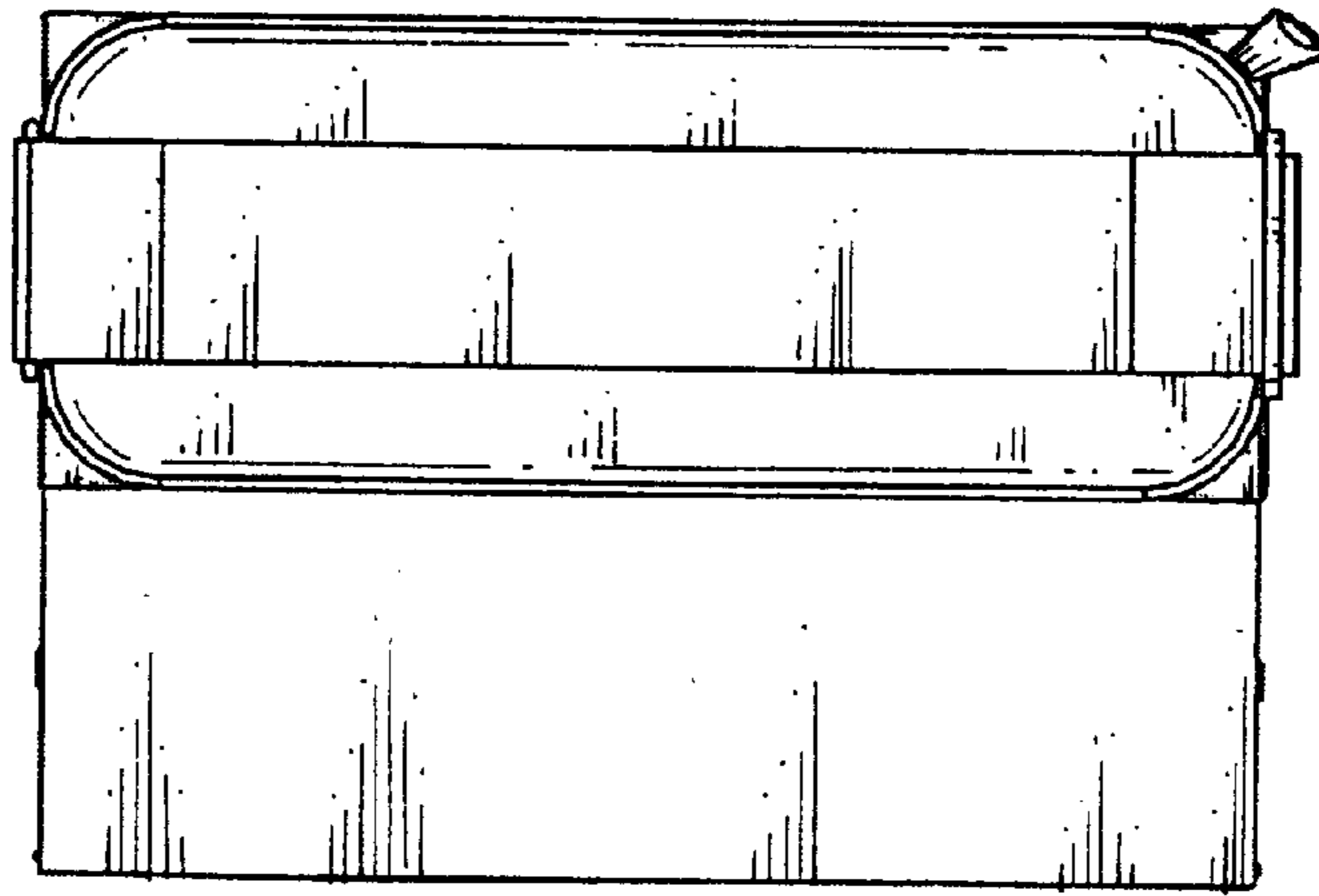


FIG. 4

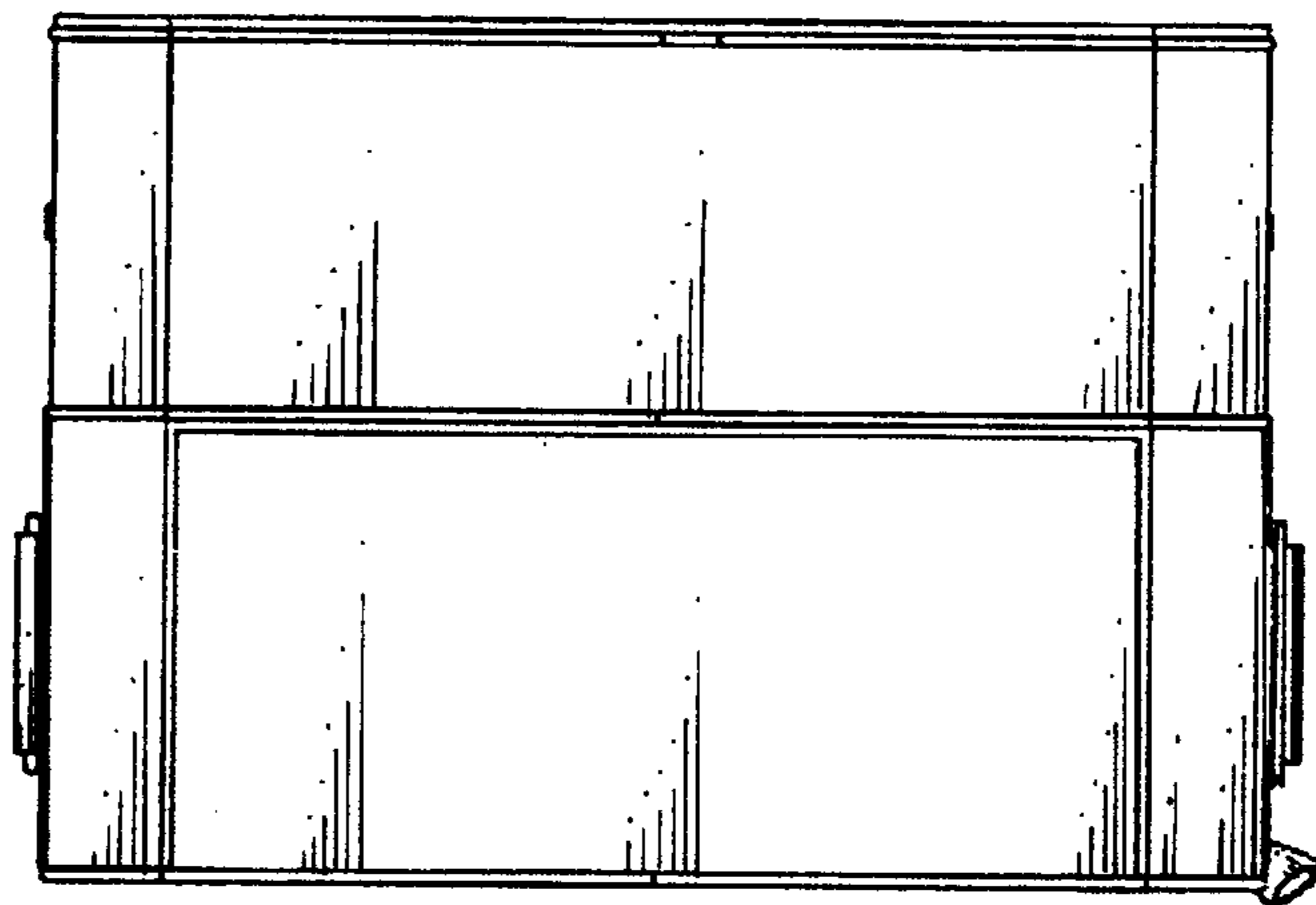


FIG. 5

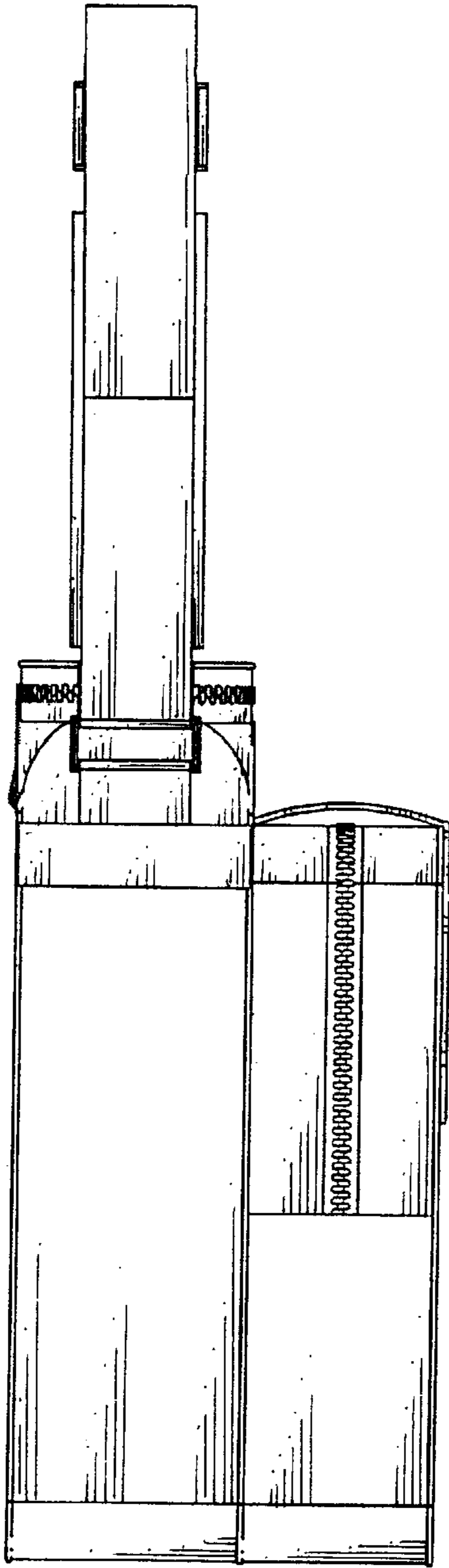


FIG. 6

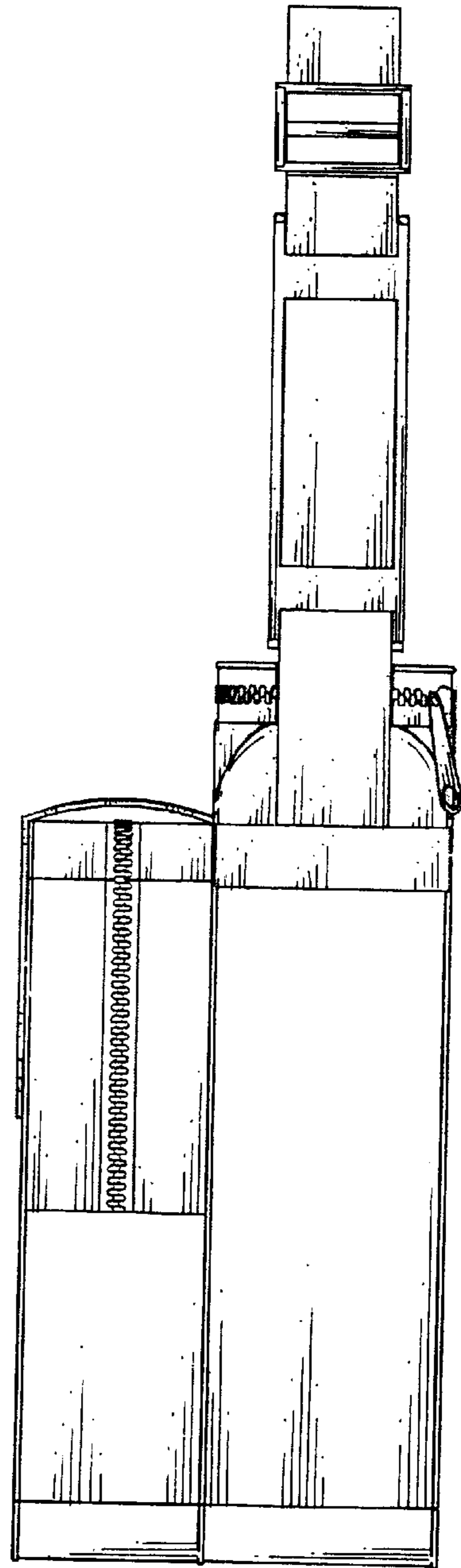


FIG. 7