



US00D478416S

(12) **United States Design Patent**
Clarke

(10) **Patent No.:** **US D478,416 S**

(45) **Date of Patent:** **** Aug. 19, 2003**

(54) **UMBRELLA CANOPY**

(75) **Inventor:** **Dougan H. Clarke**, Miami Beach, FL (US)

(73) **Assignee:** **Tuuci Engineering & Design, Inc.**, Miami, FL (US)

(**) **Term:** **14 Years**

(21) **Appl. No.:** **29/153,828**

(22) **Filed:** **Jan. 11, 2002**

(51) **LOC (7) Cl.** **03-03**

(52) **U.S. Cl.** **D3/5**

(58) **Field of Search** D3/5-6, 10-14, D3/16-17; 135/98, 16, 19.5, 20.1, 22-48, 910, 913; 362/102; 297/184.16

(56) **References Cited**

U.S. PATENT DOCUMENTS

D9,147 S	*	3/1876	Hirsh	D3/5
D14,944 S	*	4/1884	Drown	D3/5
D42,503 S	*	5/1912	Follmer	D3/5
D47,559 S	*	7/1915	Henderson	D3/5
D56,043 S	*	8/1920	Weinberg et al.	D3/5
D186,009 S	*	8/1959	Lorincz	D3/5
D239,666 S	*	4/1976	Medlin	D3/5
4,347,862 A	*	9/1982	Secon	135/20.1
D273,346 S	*	4/1984	Secon	D3/5
6,196,241 B1	*	3/2001	Doolan	135/16
D467,066 S	*	12/2002	You	D3/5

* cited by examiner

Primary Examiner—Louis S. Zarfes

Assistant Examiner—Robert A. Delehanty

(74) *Attorney, Agent, or Firm*—Malloy & Malloy, P.A.

(57) **CLAIM**

The ornamental designs for an umbrella canopy, as shown and described.

DESCRIPTION

FIG. 1 is a perspective view of the Umbrella Canopy Design according to my invention showing eight (8) rib and strut members and a canopy that is nearly flat or level in the operative position, and further showing in phantom lines an optional stand and base therefor;

FIG. 2 is a front view of the Umbrella Canopy design shown in FIG. 1 according to my invention;

FIG. 3 is a left side view thereof;

FIG. 4 is a top view thereof;

FIG. 5 is a right side view thereof;

FIG. 6 is a bottom view thereof;

FIG. 7 is a rear view thereof;

FIG. 8 is a side view taken at forty-five (45°) from the front view shown in FIG. 2; and

FIG. 9 is a perspective view of the Umbrella Canopy Design according to my invention showing six (6) rib and strut members and a canopy that is also nearly flat or level in the operative position, and further showing in phantom lines an optional stand and base therefor;

FIG. 10 is a front view of the Umbrella Canopy design shown in FIG. 9 according to my invention;

FIG. 11 is a left side view thereof;

FIG. 12 is a top view thereof;

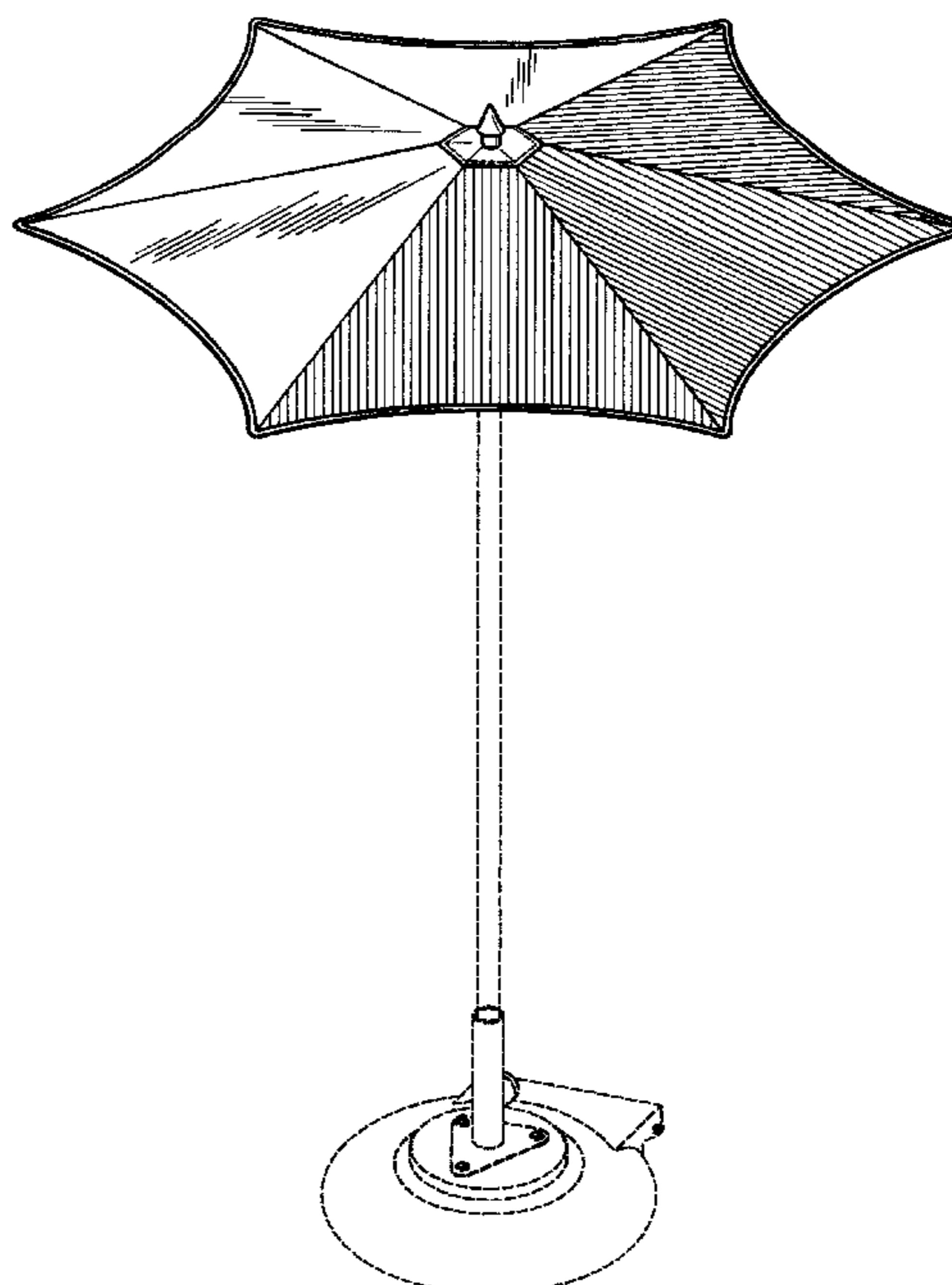
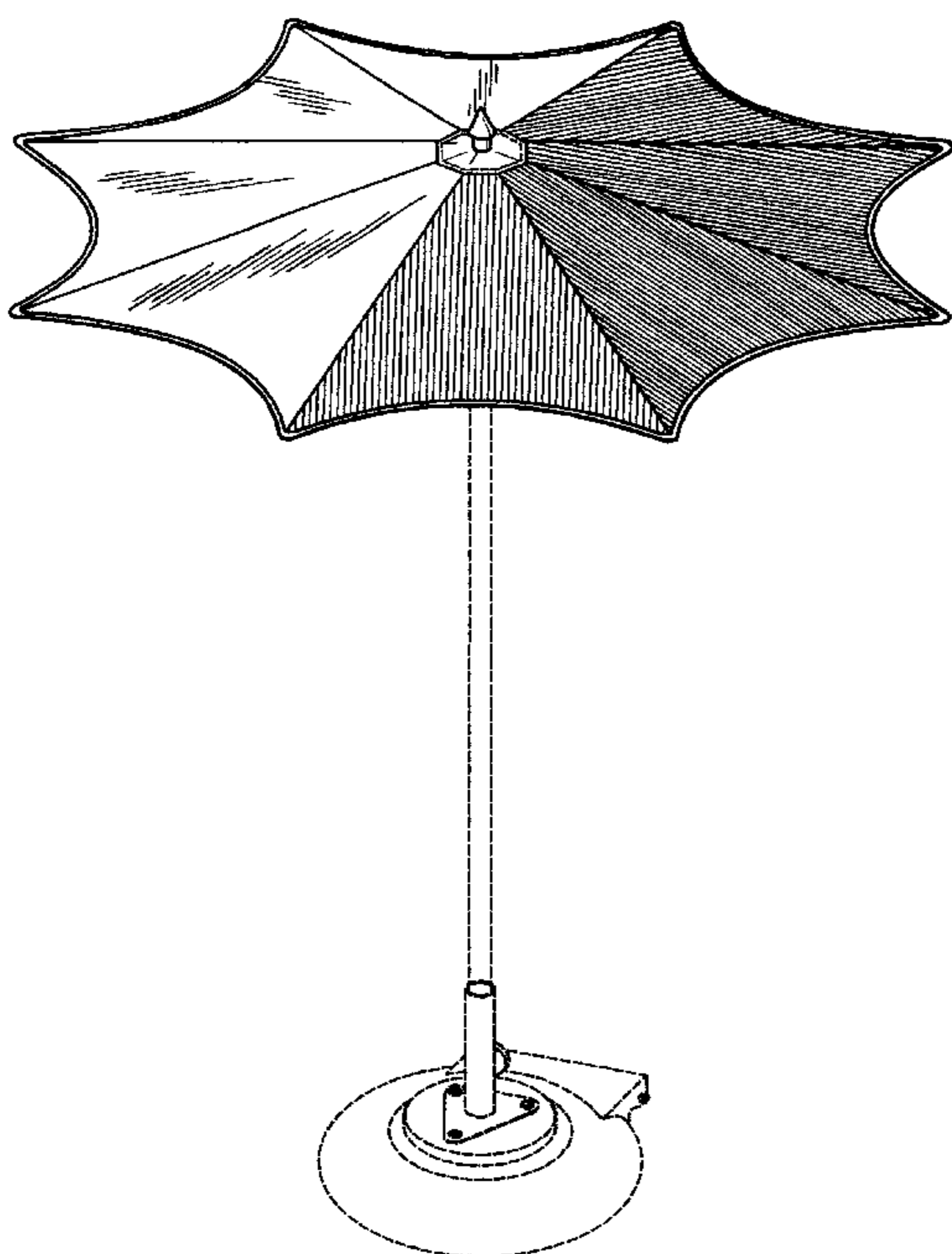
FIG. 13 is a right side view thereof;

FIG. 14 is a bottom view thereof; and

FIG. 15 is a rear view thereof; and,

FIG. 16 is a side view taken at forty-five (45°) from the front view shown in FIG. 10.

1 Claim, 6 Drawing Sheets



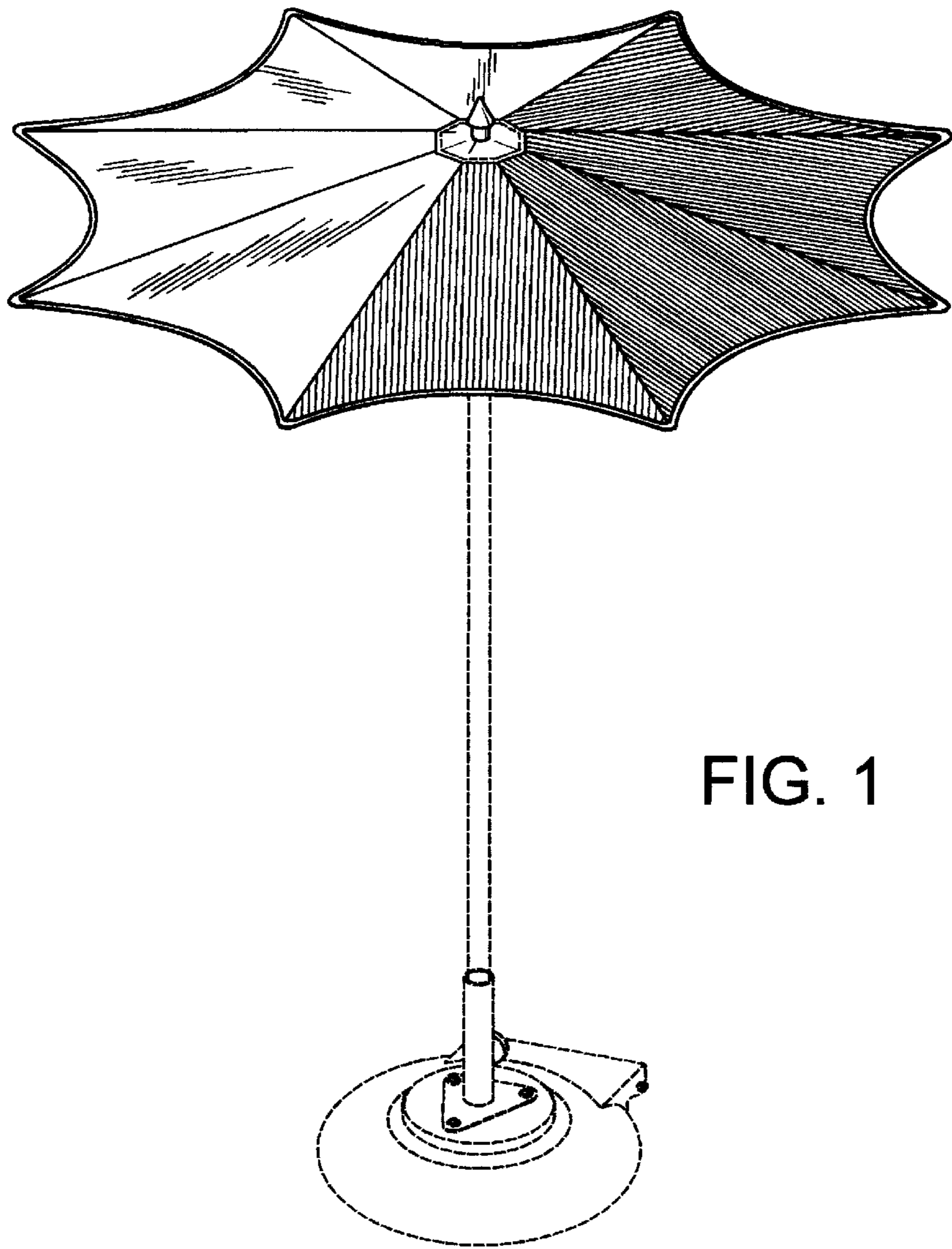


FIG. 1

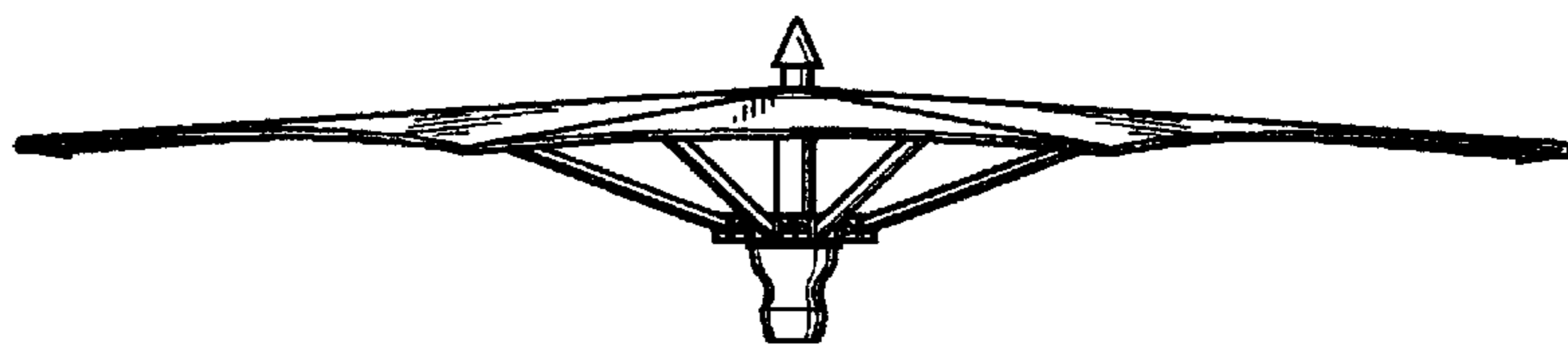


FIG. 7

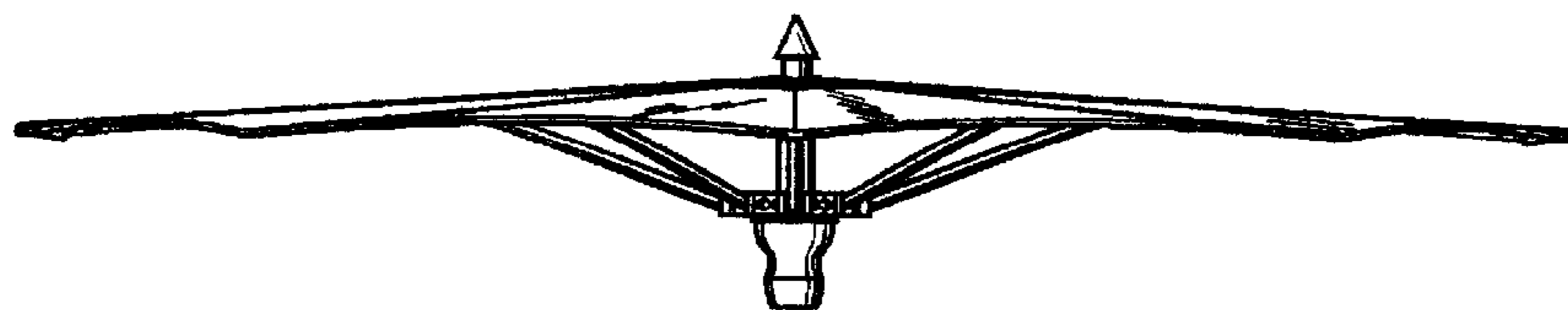


FIG. 8

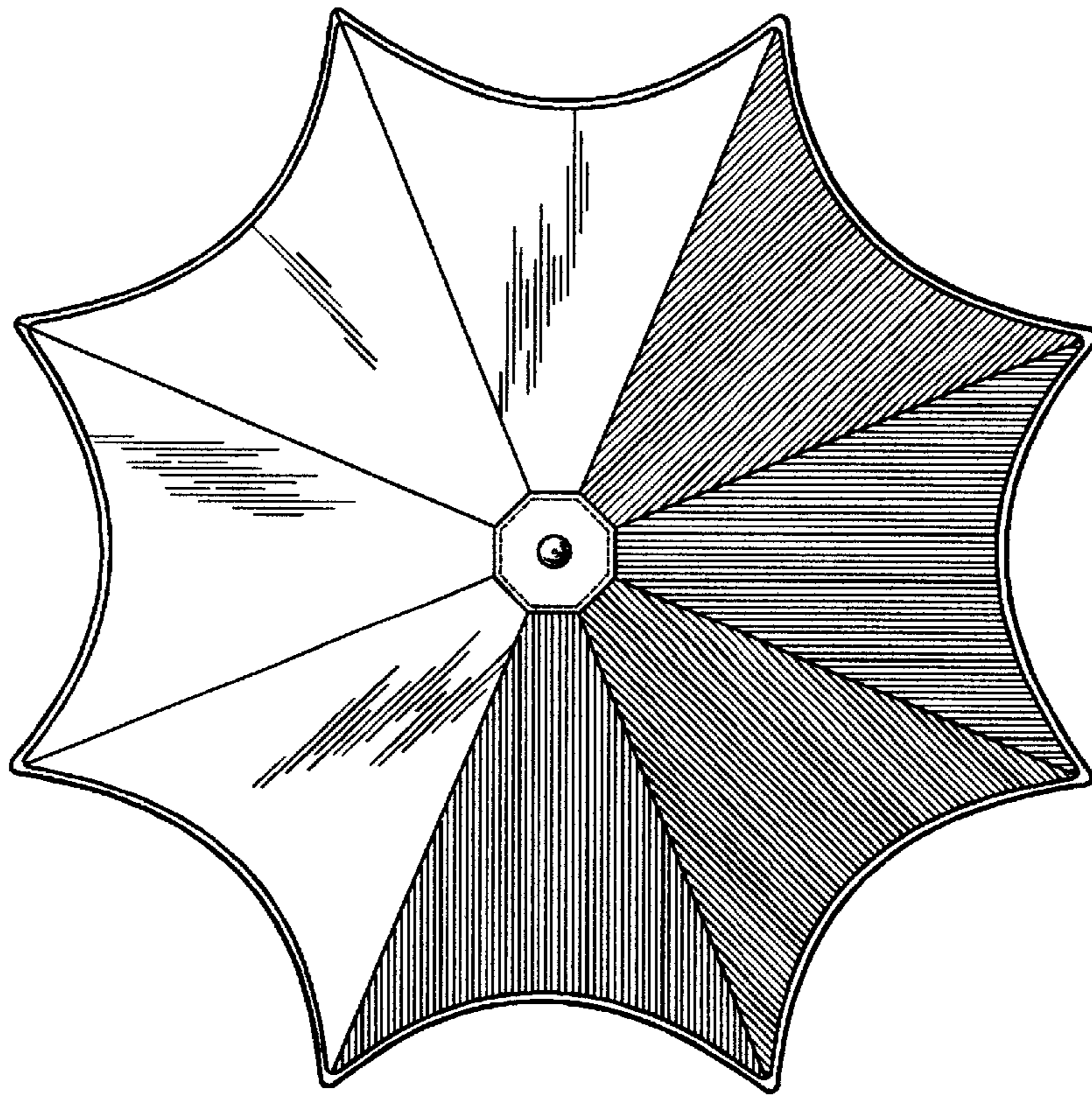


FIG. 4

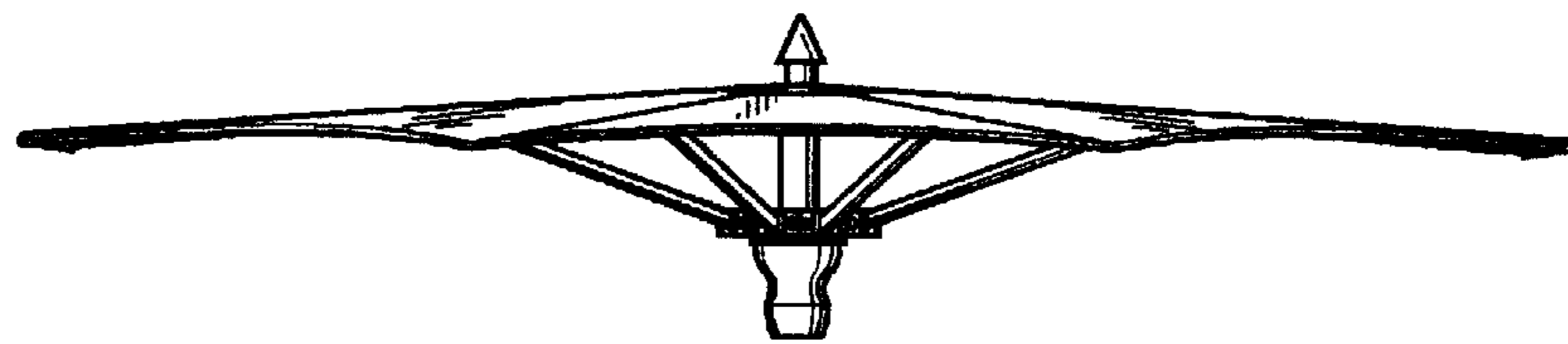


FIG. 2

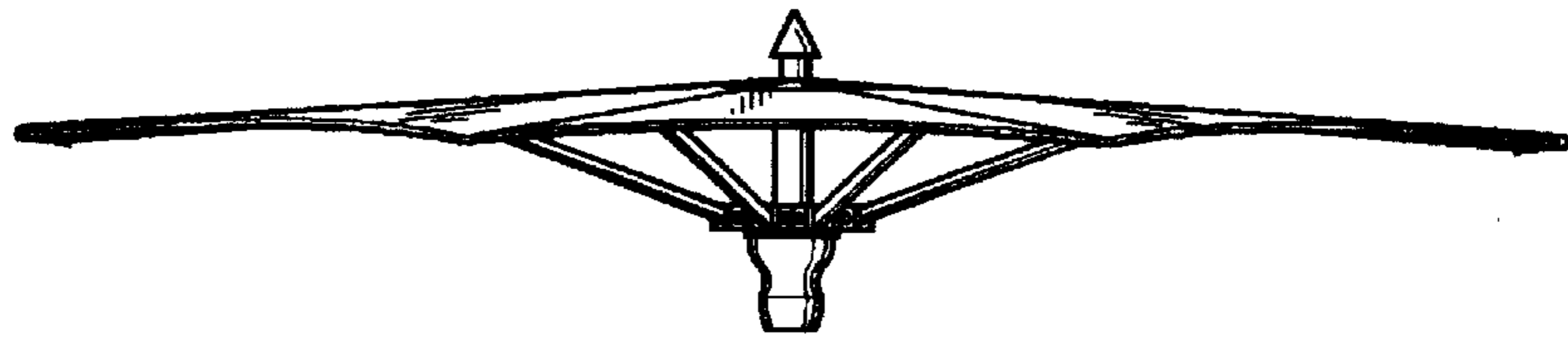


FIG. 3

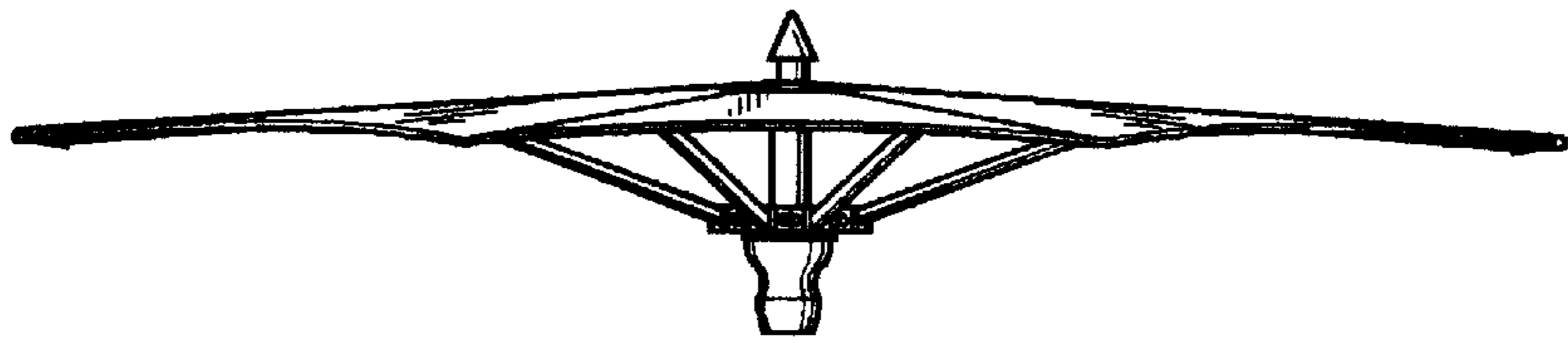


FIG. 5

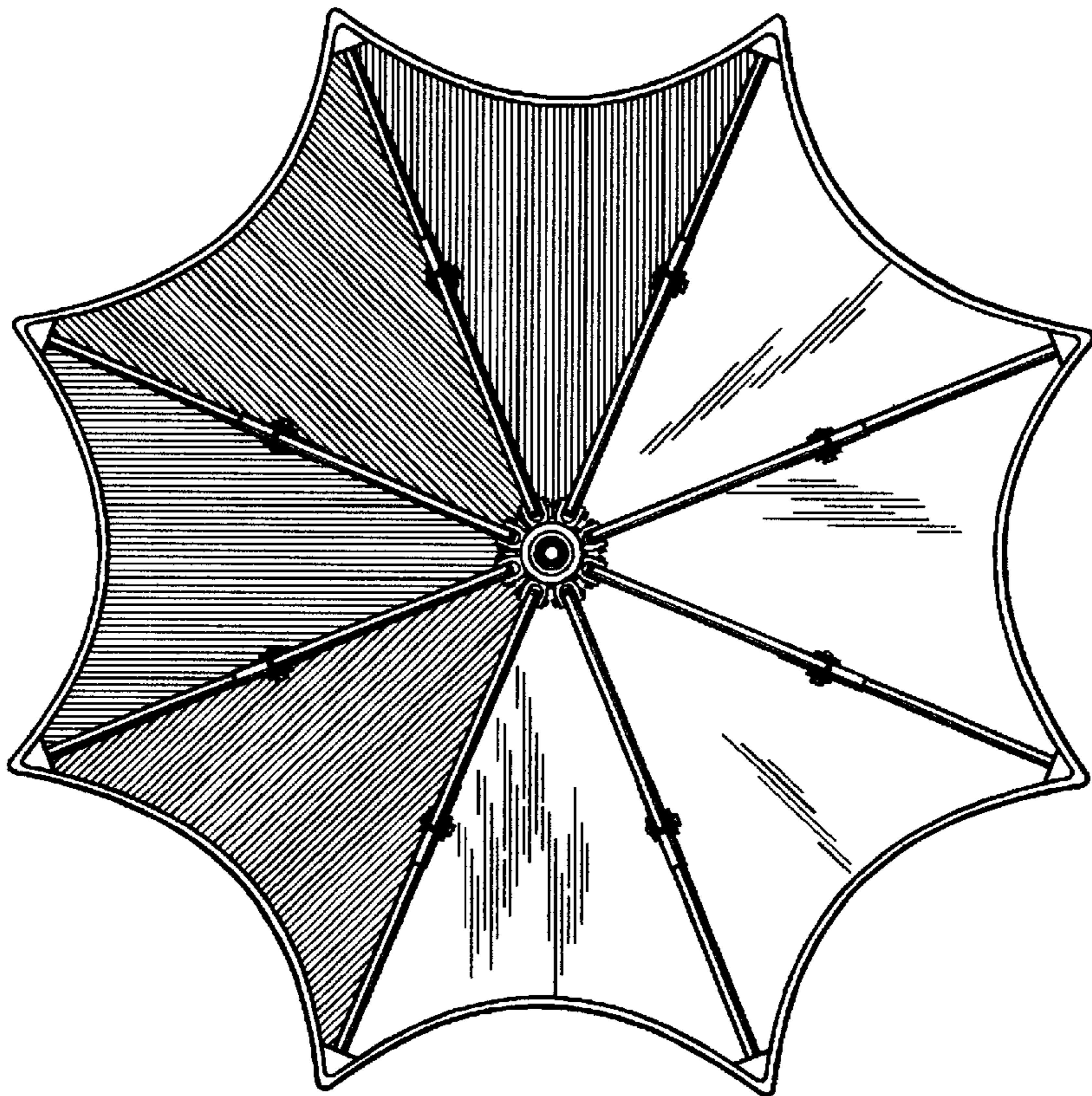


FIG. 6

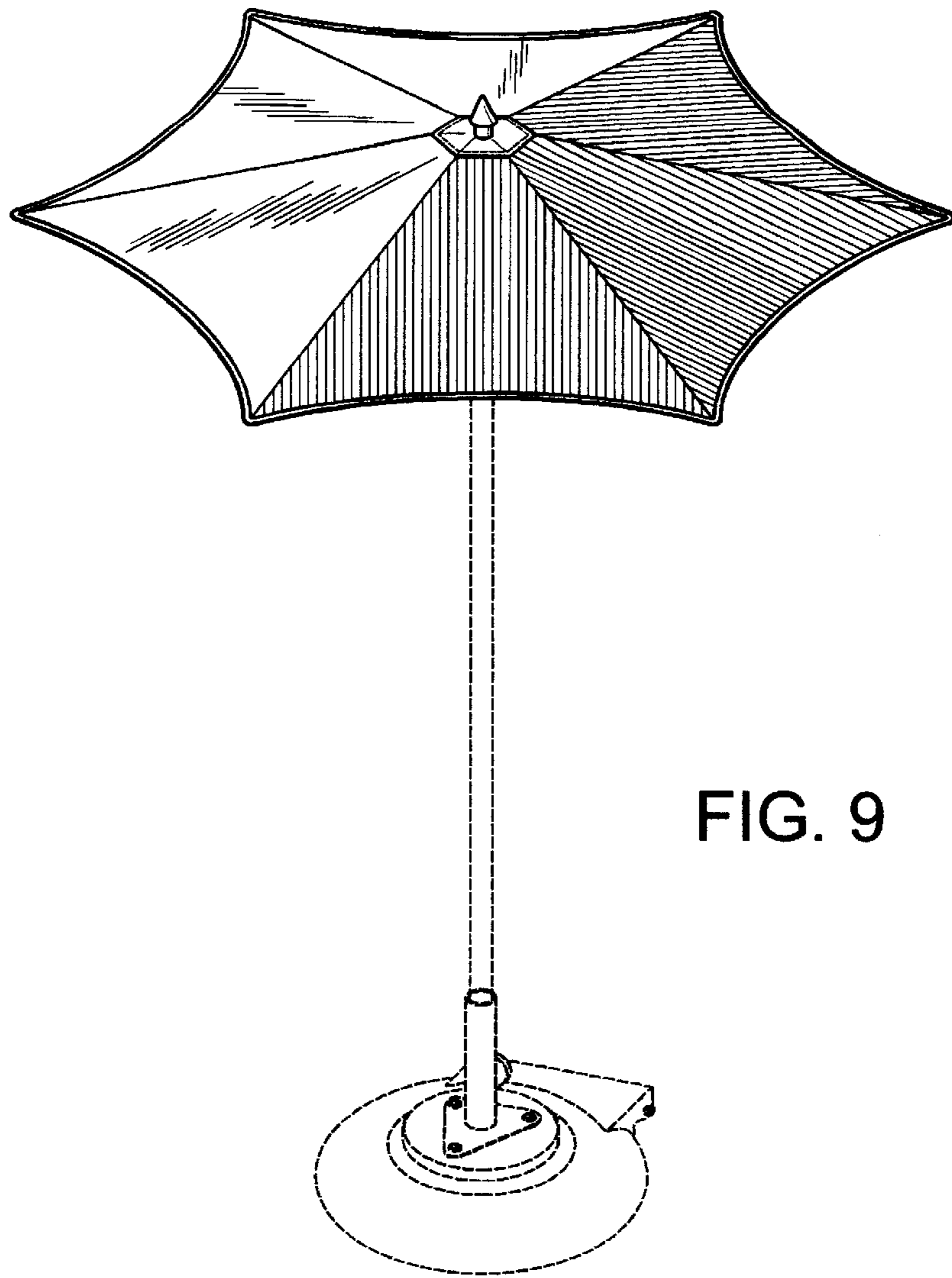


FIG. 9

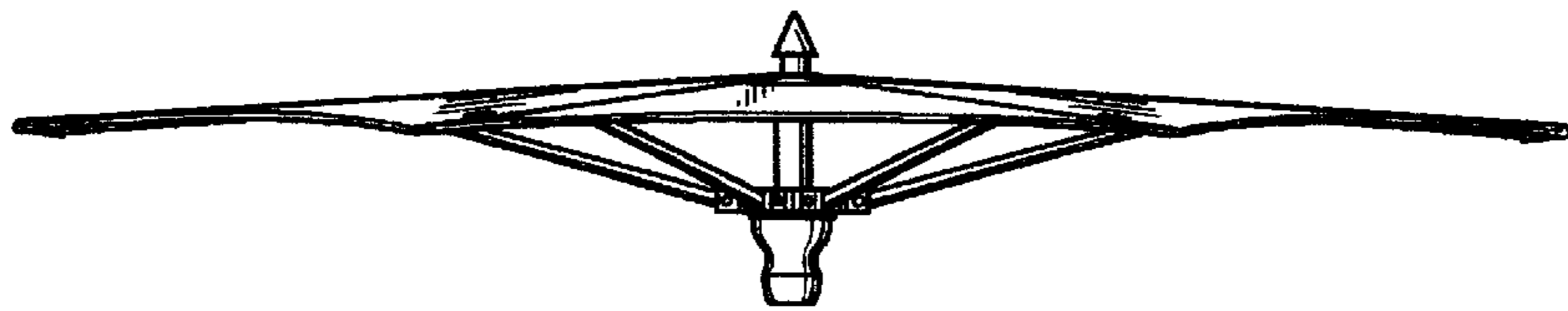


FIG. 15

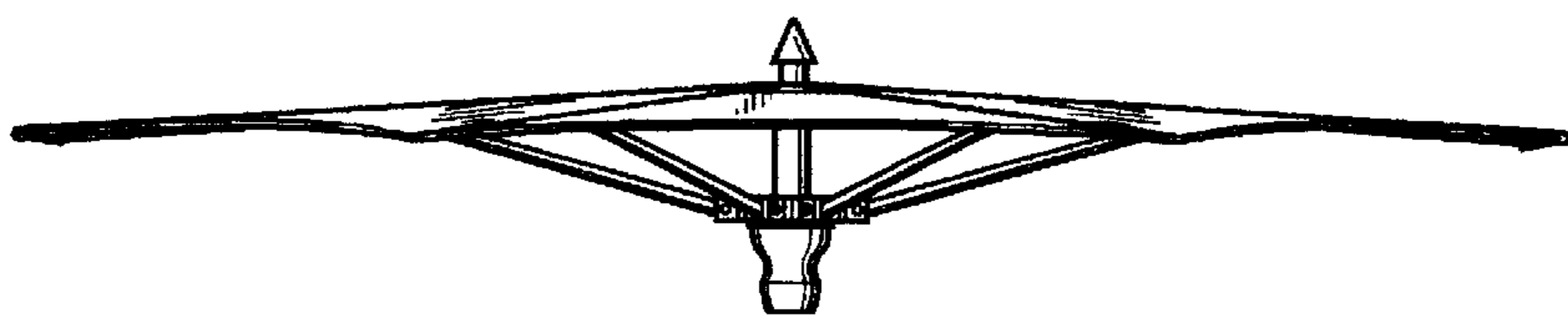


FIG. 16

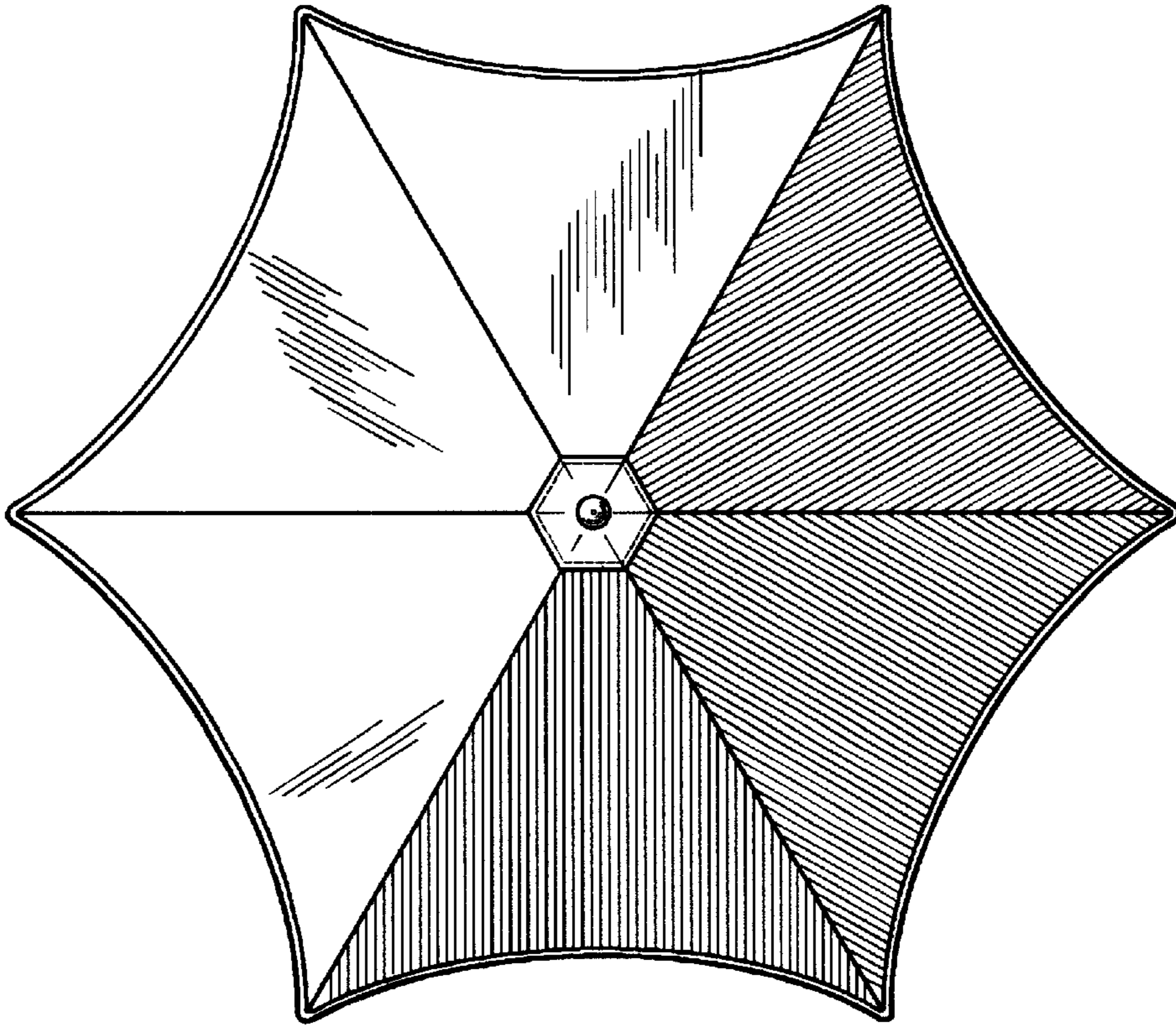


FIG. 12

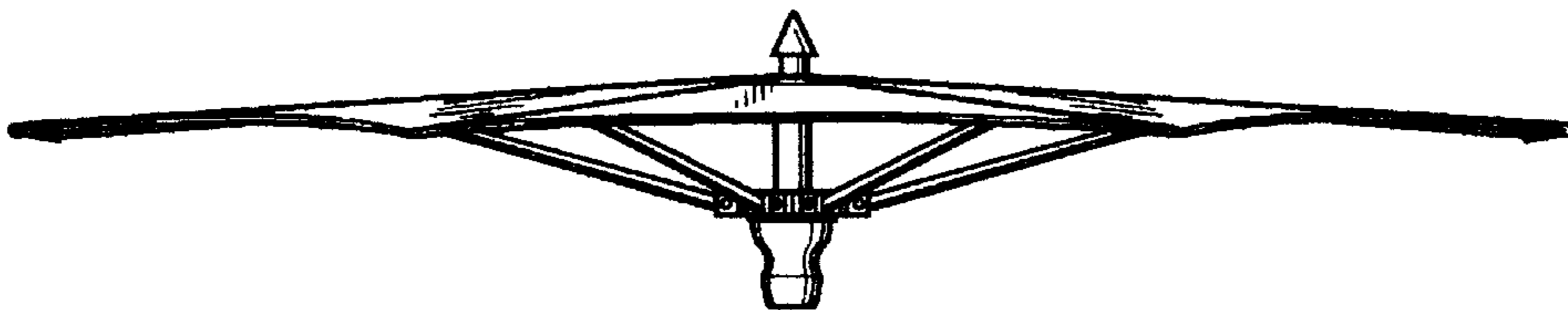


FIG. 10

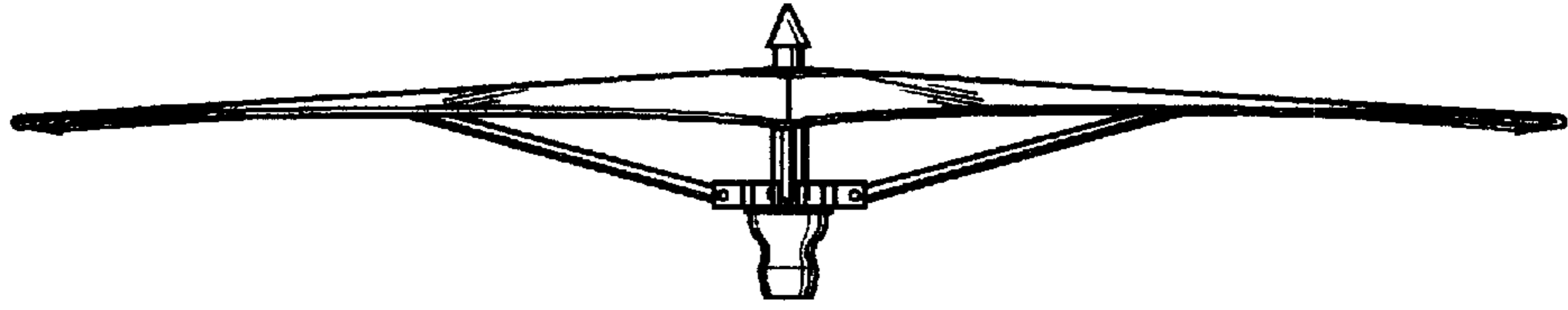


FIG. 11

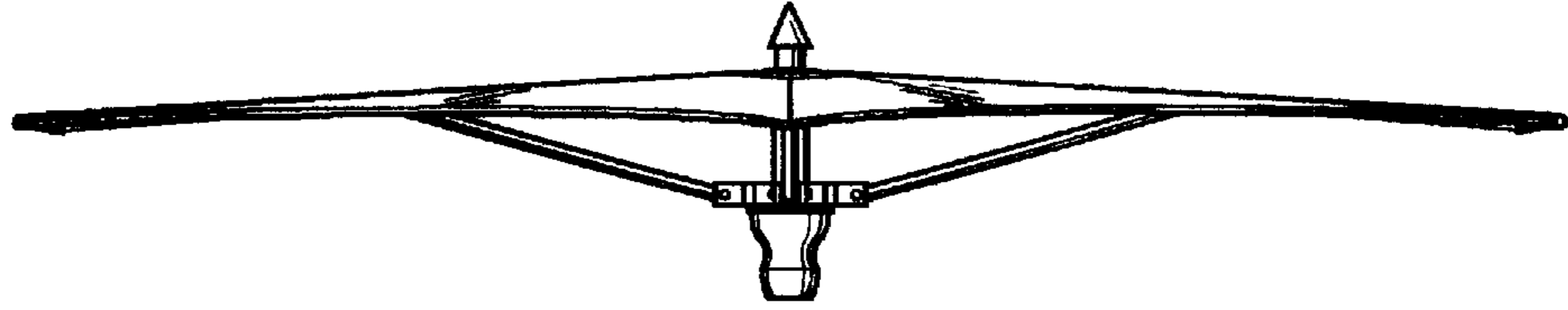


FIG. 13

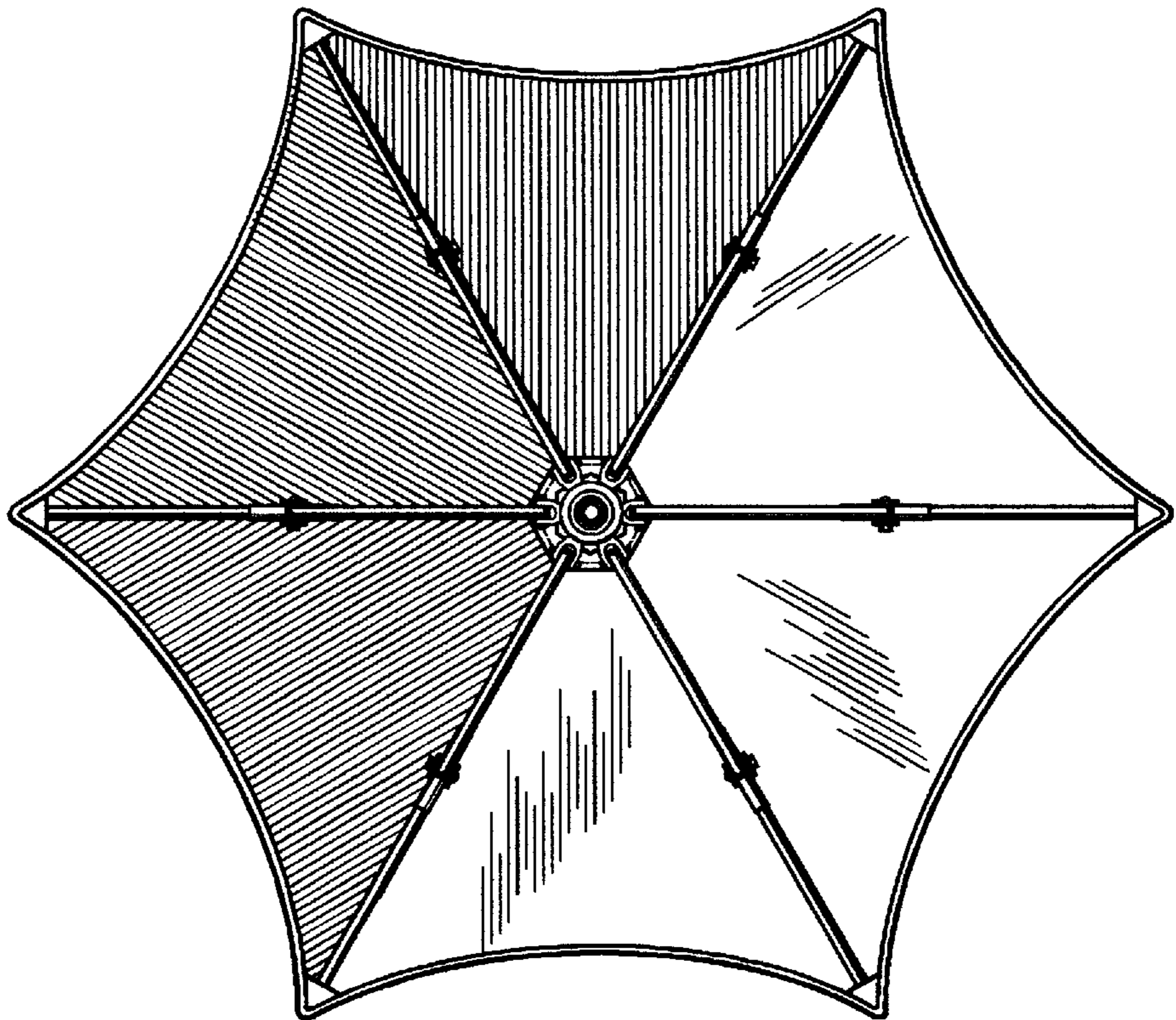


FIG. 14