



US00D478400S

(12) **United States Design Patent**  
**Mitchell**

(10) **Patent No.:** **US D478,400 S**

(45) **Date of Patent:** **\*\* Aug. 12, 2003**

(54) **FISH TANK CLEANING DEVICE**

(76) Inventor: **Dewayne M. Mitchell**, 2948 Kentucky Ave. North, Crystal, MN (US) 55427

(\*\*) Term: **14 Years**

(21) Appl. No.: **29/168,650**

(22) Filed: **Oct. 7, 2002**

(51) **LOC (7) Cl.** ..... **15-05**

(52) **U.S. Cl.** ..... **D32/1**

(58) **Field of Search** ..... D32/1, 25; 210/169; 134/201; 15/1, 1.7, 246.5, 246

(56) **References Cited**

**U.S. PATENT DOCUMENTS**

D212,745 S	*	11/1968	Fishman	.....	D32/1
3,485,373 A	*	12/1969	Powers	.....	210/169
3,826,371 A	*	7/1974	Adamson	.....	15/1.7 X
4,957,623 A	*	9/1990	Henzlik	.....	15/1.7 X
5,048,140 A	*	9/1991	Wu	.....	15/1.7
5,279,730 A	*	1/1994	Chen	.....	15/1.7 X

\* cited by examiner

*Primary Examiner*—Louis S. Zarfes  
*Assistant Examiner*—Robert A. Delehanty

(57) **CLAIM**

The ornamental design for a fish tank cleaning device, as shown and described.

**DESCRIPTION**

FIG. 1 is a front elevated view of a fish tank cleaning device showing my new design.

FIG. 2 is a rear elevated view of the fish tank cleaning device.

FIG. 3 is a right side elevated view of the fish tank cleaning device.

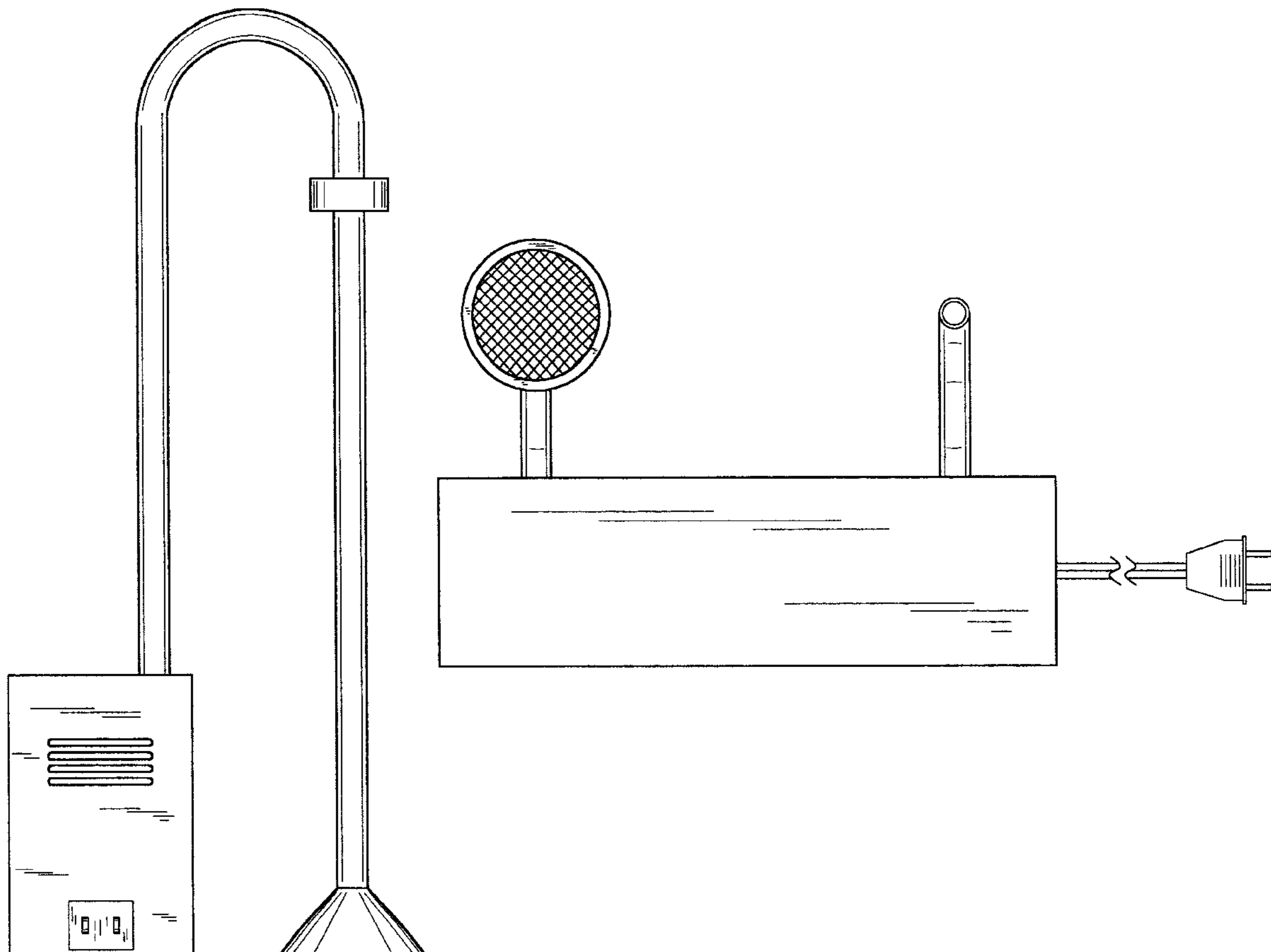
FIG. 4 is a left side elevated view of the fish tank cleaning device.

FIG. 5 is a top plan view of the fish tank cleaning device; and,

FIG. 6 is a bottom plan view of the fish tank cleaning device.

The electrical cord shown in the drawings is shown broken away to indicate indeterminate length.

**1 Claim, 4 Drawing Sheets**



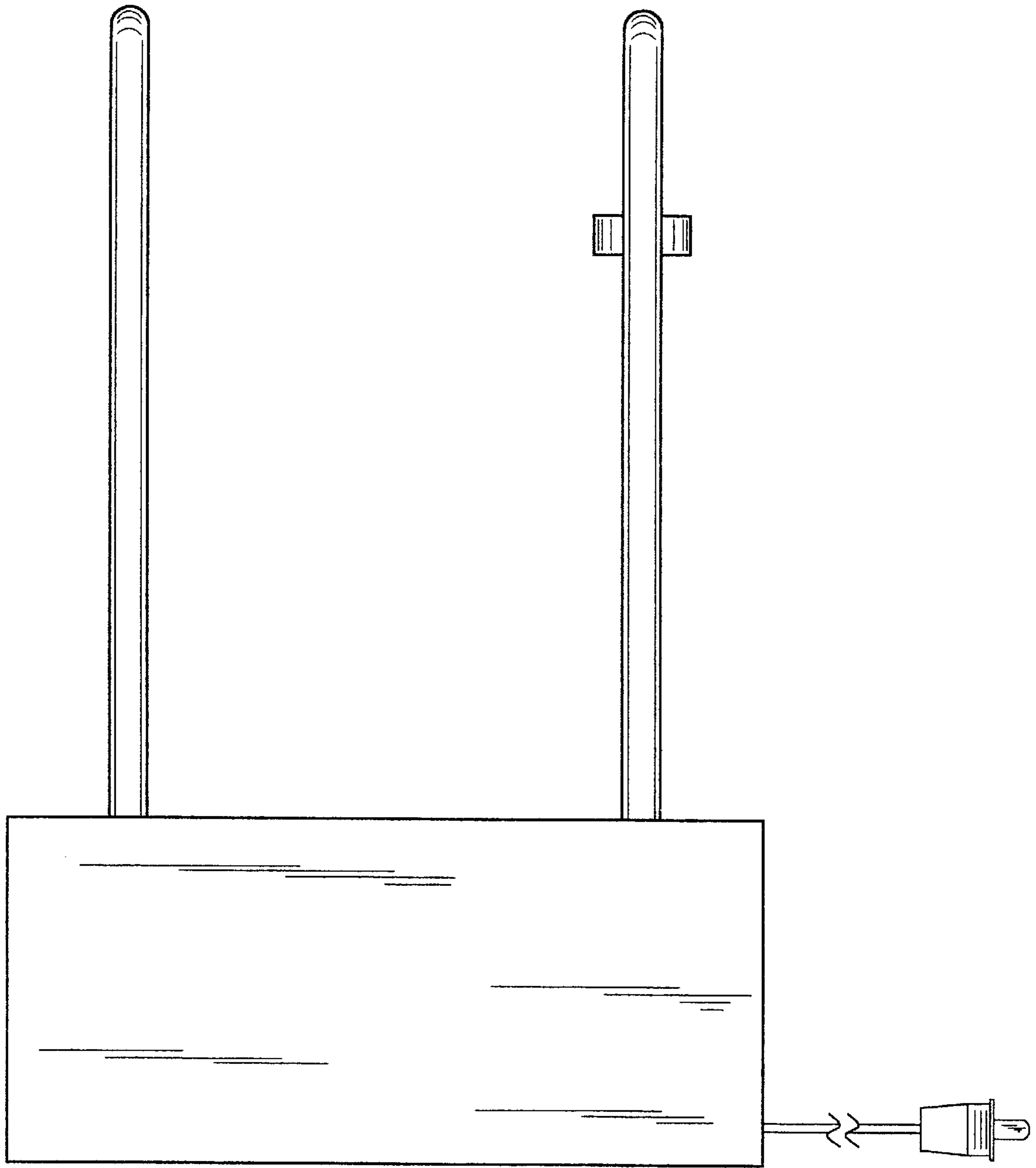


FIG. 1

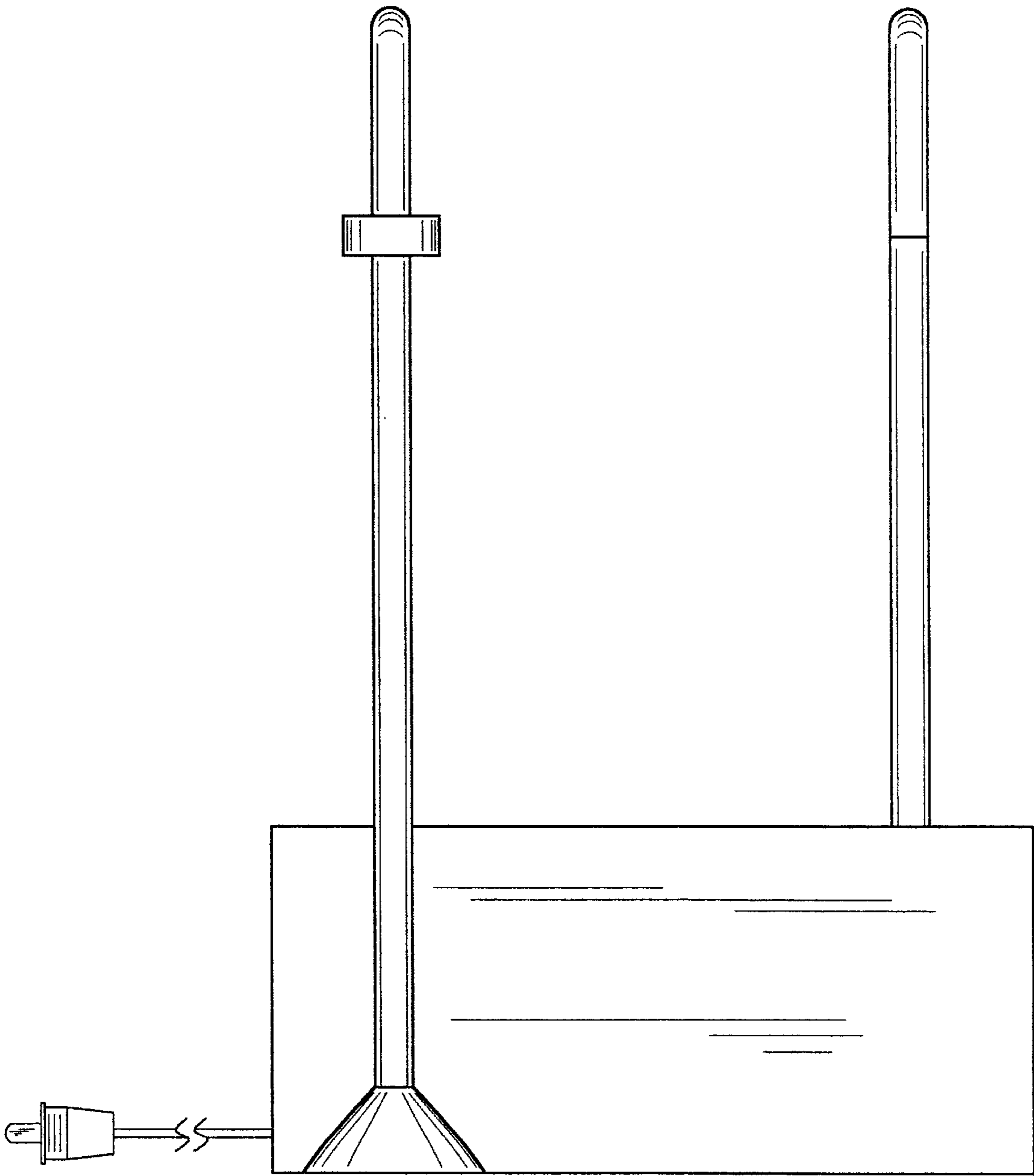


FIG. 2

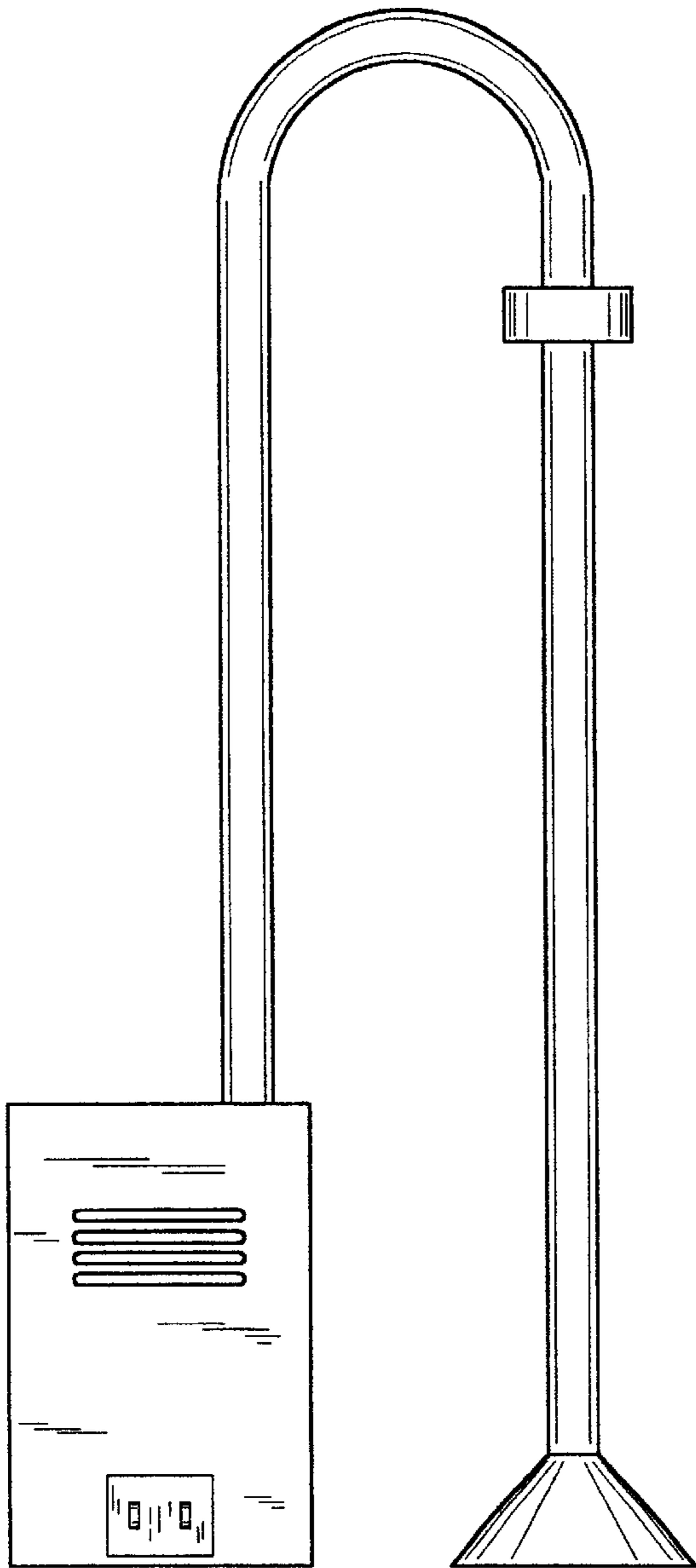


FIG. 3

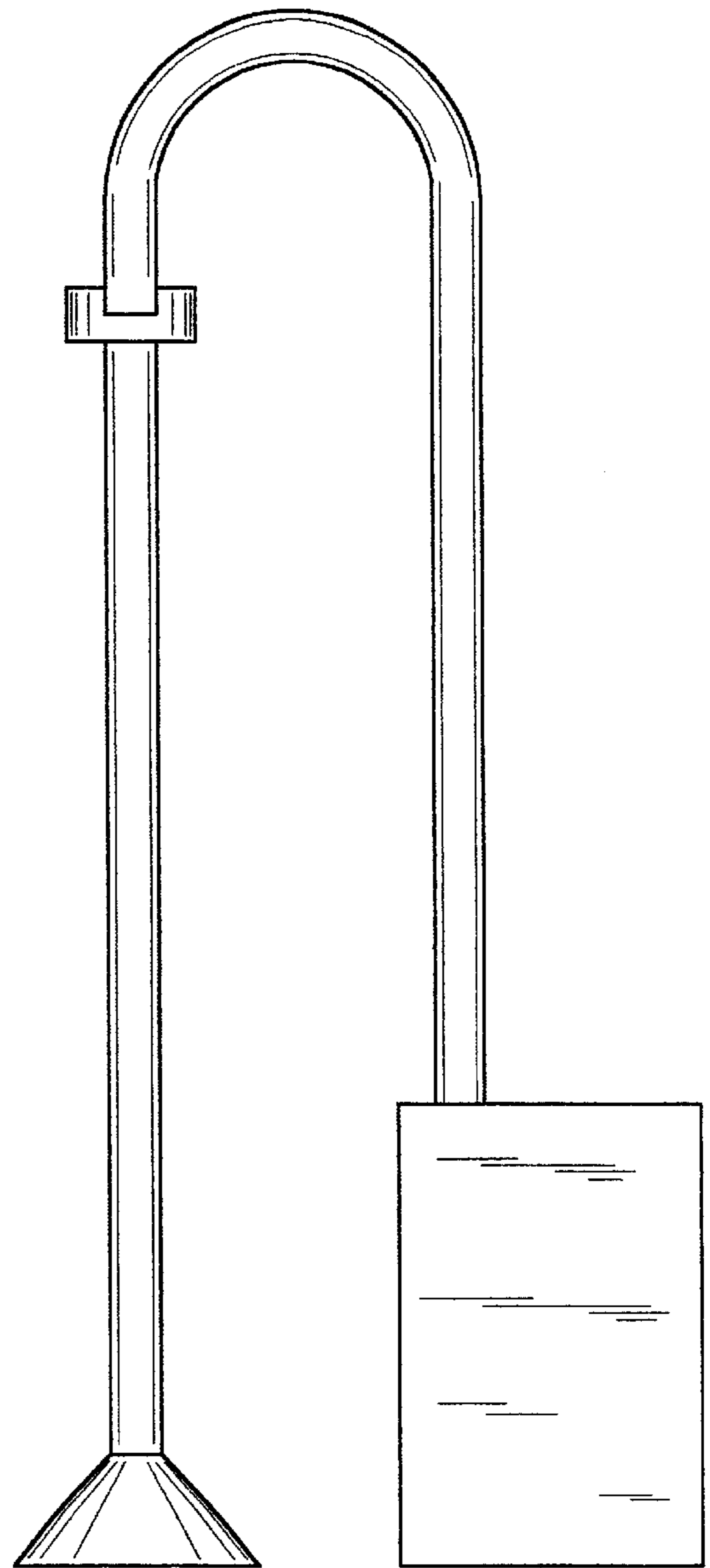


FIG. 4

FIG. 5

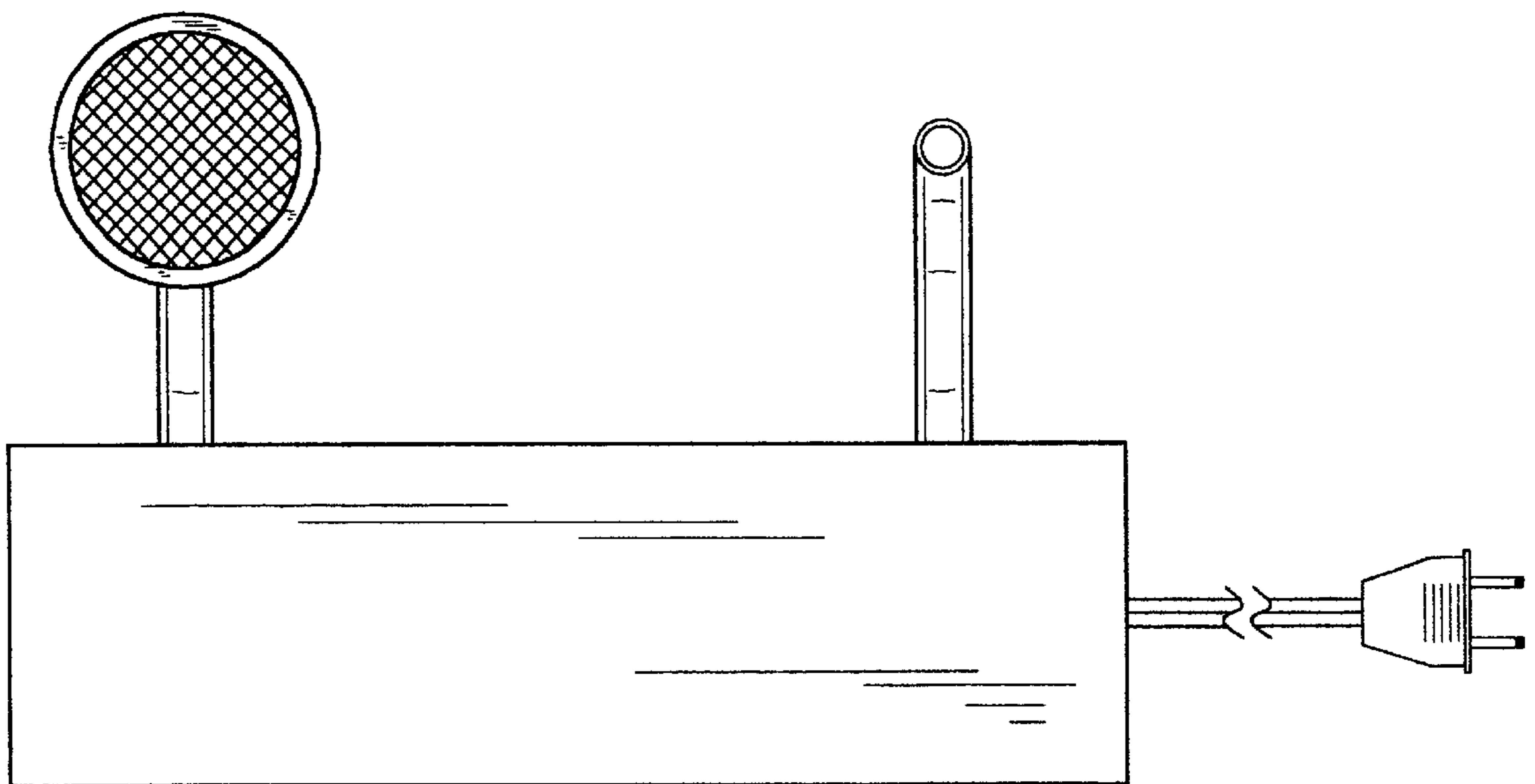
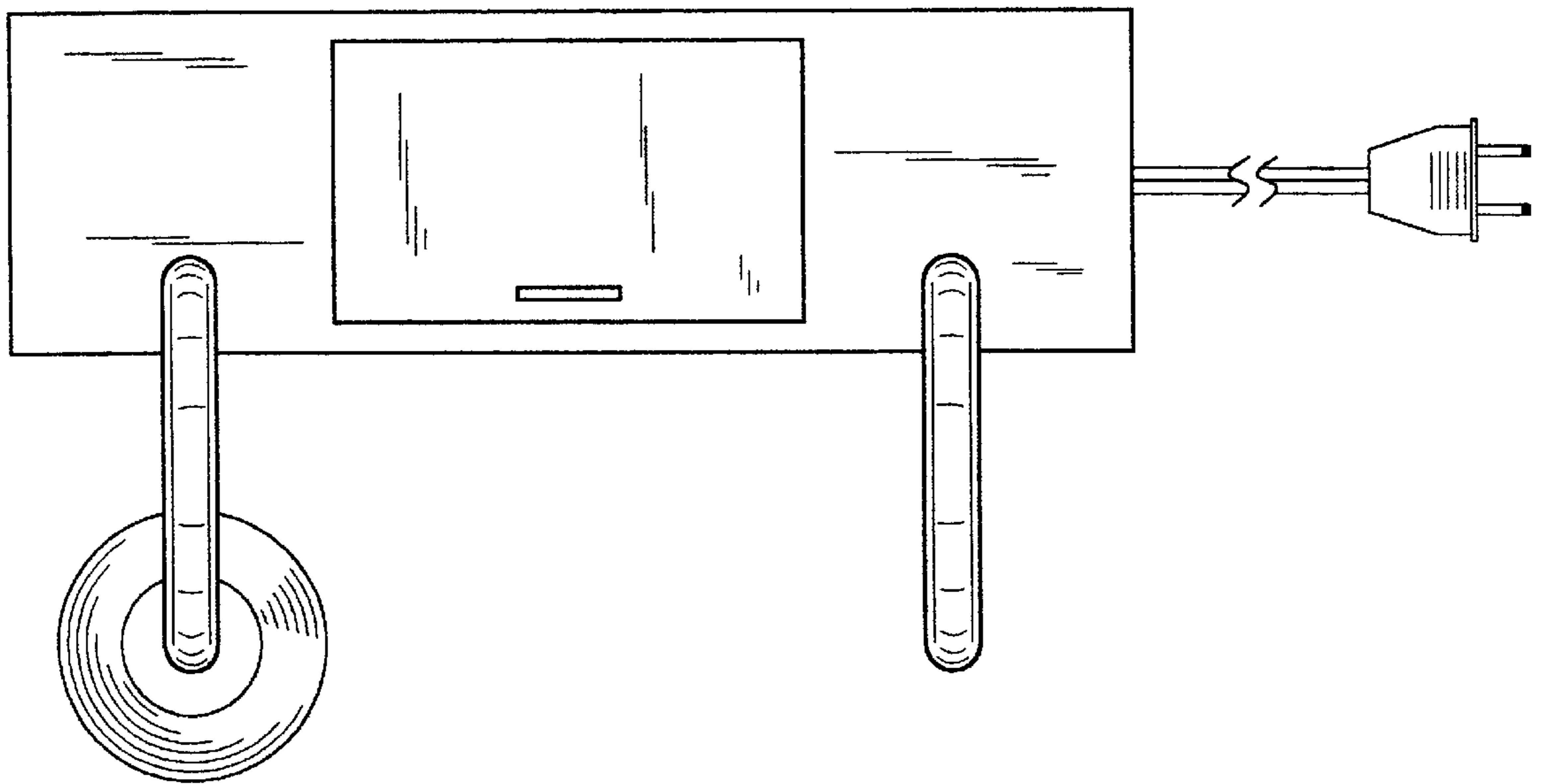


FIG. 6