



US00D478397S

(12) **United States Design Patent**
Bakic

(10) **Patent No.:** **US D478,397 S**

(45) **Date of Patent:** **** Aug. 12, 2003**

(54) **COSMETIC CONTAINER**

(75) Inventor: **Dieter Bakic**, Munich (DE)

(73) Assignee: **DB Design GmbH** (DE)

(**) Term: **14 Years**

(21) Appl. No.: **29/169,139**

(22) Filed: **Oct. 15, 2002**

(30) **Foreign Application Priority Data**

Apr. 16, 2002 (WO) DM/059 967

(51) **LOC (7) Cl.** **28-03**

(52) **U.S. Cl.** **D28/83**

(58) **Field of Search** D28/73, 76, 78-84;
D3/295; 206/581, 823; 220/DIG. 26; 132/293-307,
314-315

(56) **References Cited**

U.S. PATENT DOCUMENTS

D407,855 S * 4/1999 Orsomando D28/83
D431,881 S * 10/2000 Gavin D28/78
D433,773 S * 11/2000 Gavin D28/83

* cited by examiner

Primary Examiner—Jennifer Rivard

(74) *Attorney, Agent, or Firm*—Cantor Colburn LLP

(57) **CLAIM**

The ornamental design for a cosmetic container, as shown and described.

DESCRIPTION

FIG. 1 is a front perspective view of a cosmetic container, showing my new design;

FIG. 2 is a front elevation view thereof;

FIG. 3 is a side elevation view thereof;

FIG. 4 is a top view thereof;

FIG. 5 is a bottom view thereof;

FIG. 6 is a back view thereof;

FIG. 7 is a front perspective view of a cosmetic container, showing another embodiment thereof;

FIG. 8 is a front elevation view of the cosmetic container of FIG. 7;

FIG. 9 is a side view of the cosmetic container of FIG. 7;

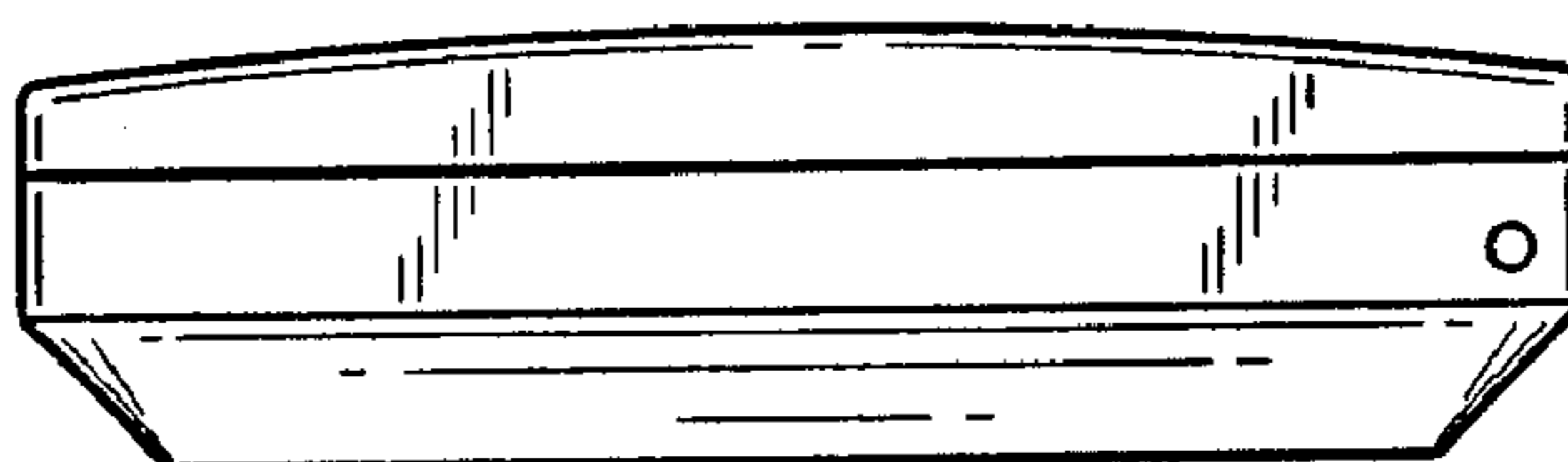
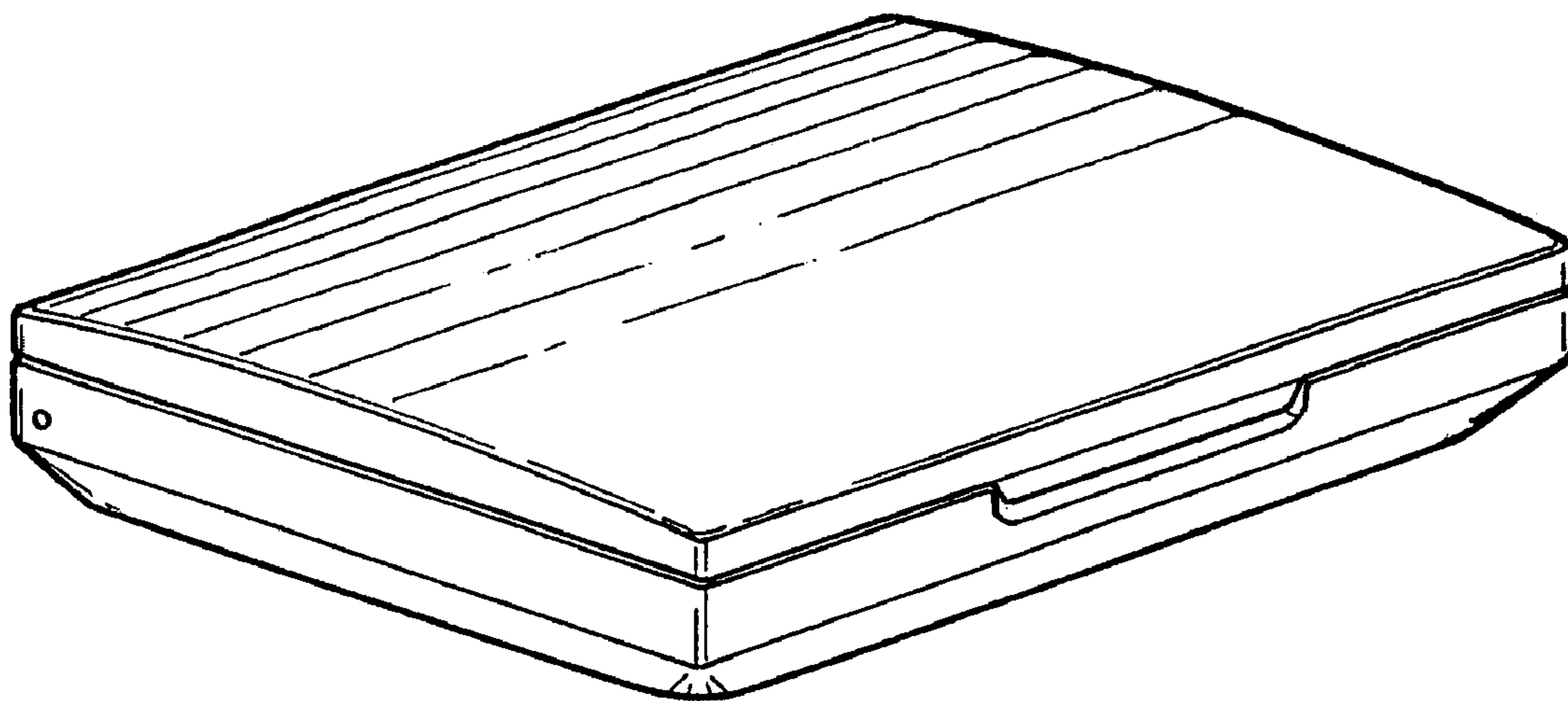
FIG. 10 is a top view of the cosmetic container of FIG. 7;

FIG. 11 is bottom view of the cosmetic container of FIG. 7;

and,

FIG. 12 is a back view of the cosmetic container of FIG. 7.

1 Claim, 12 Drawing Sheets



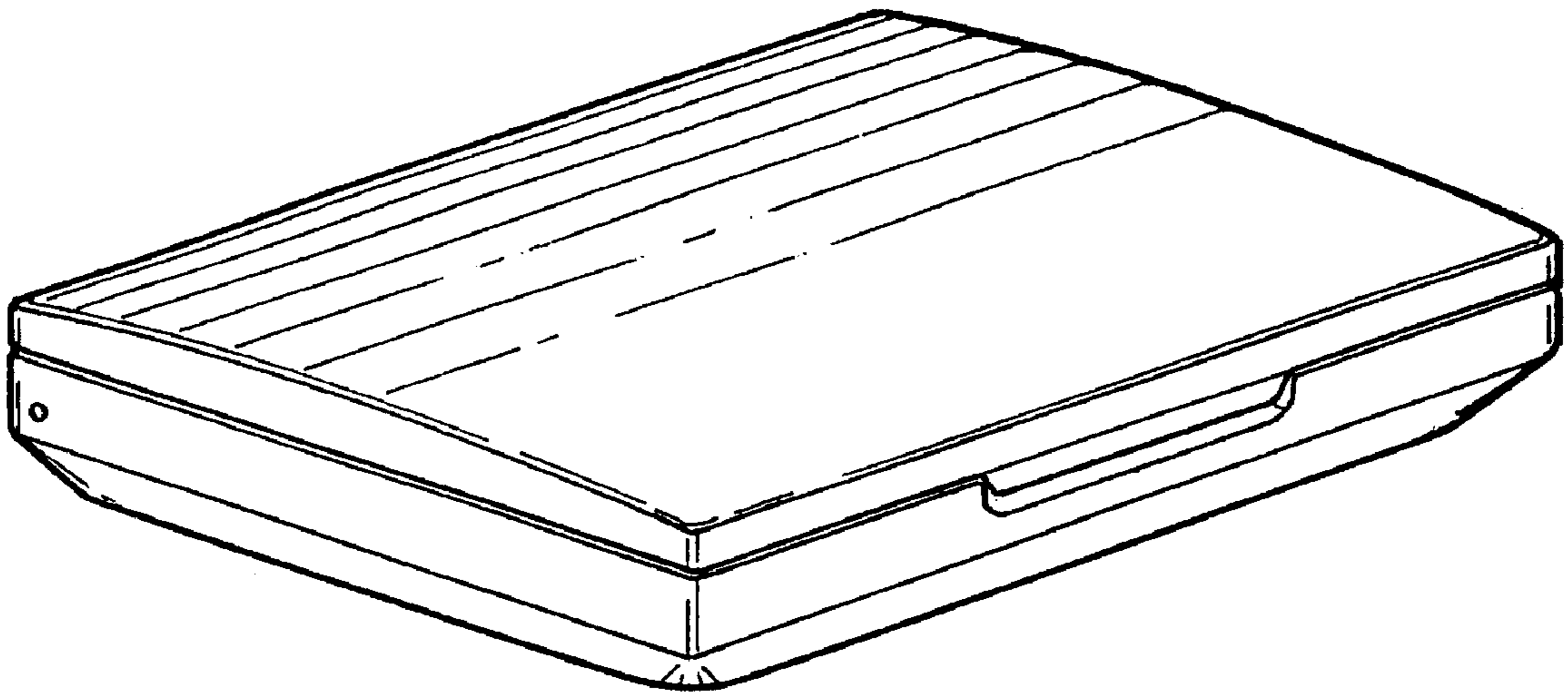


FIG. 1

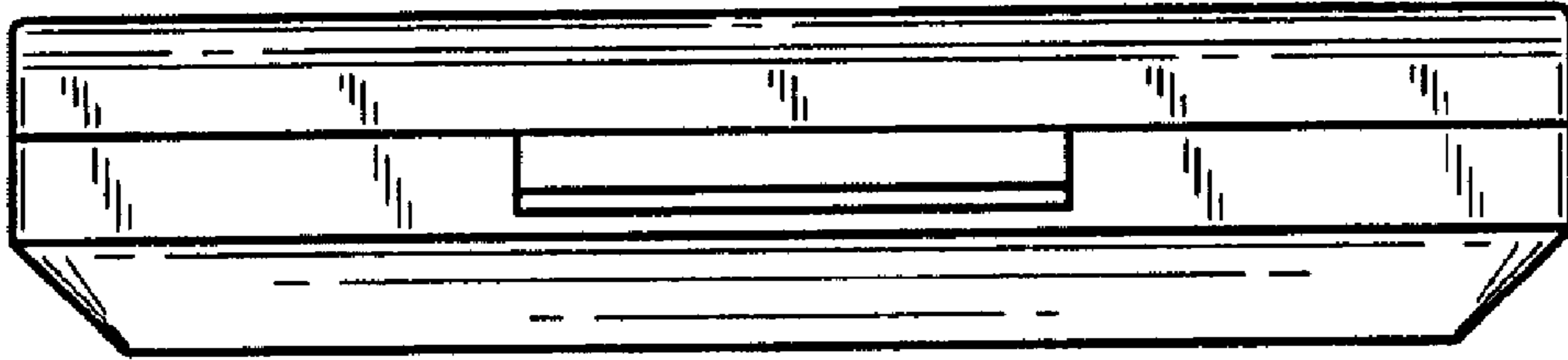


FIG. 2

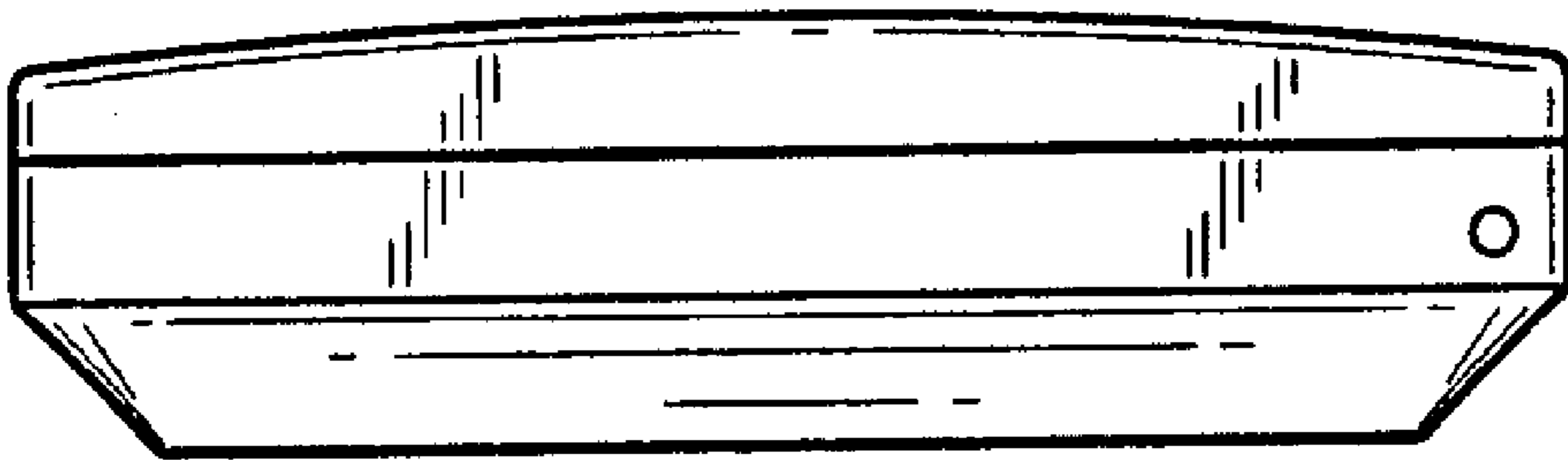


FIG. 3

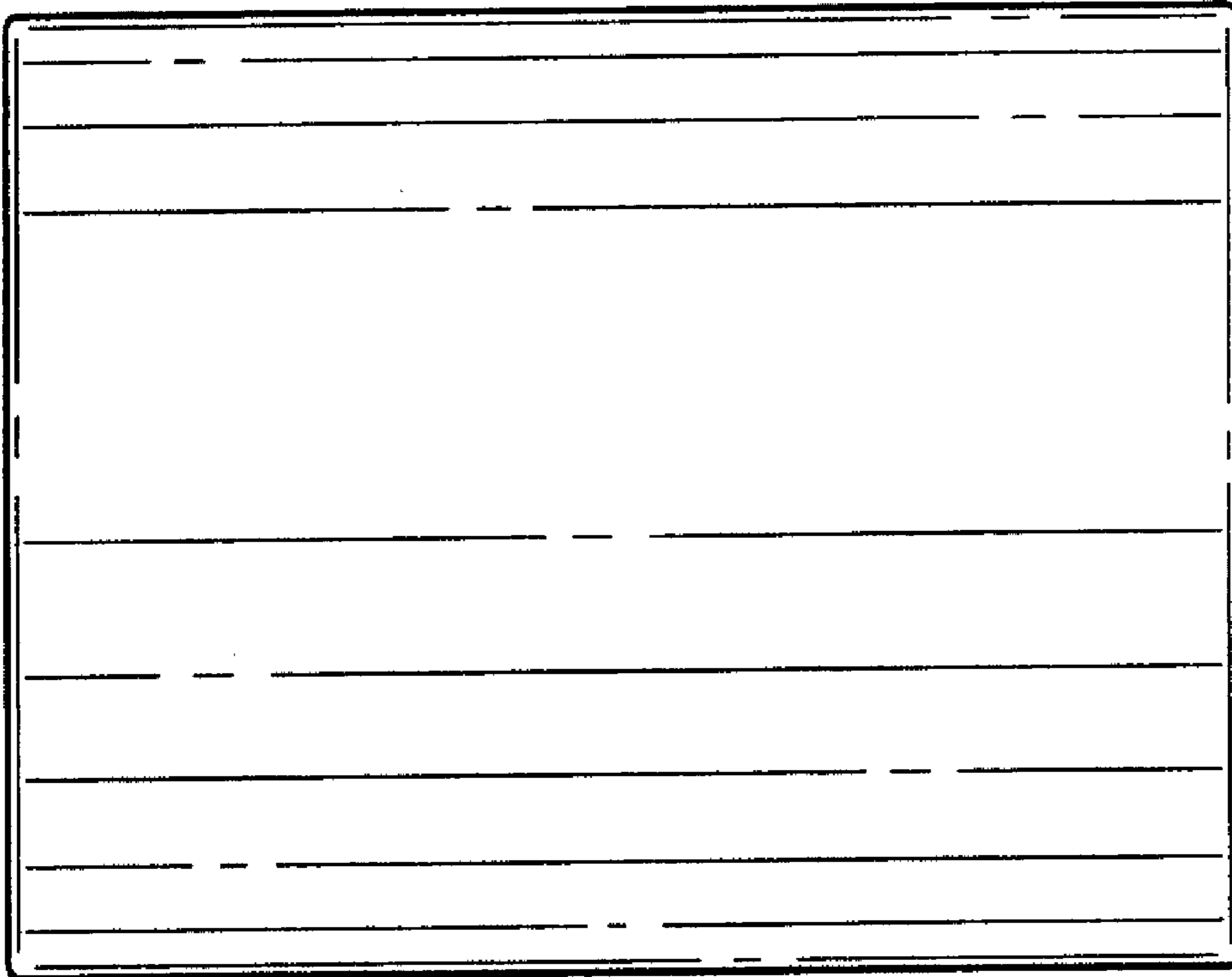


FIG. 4

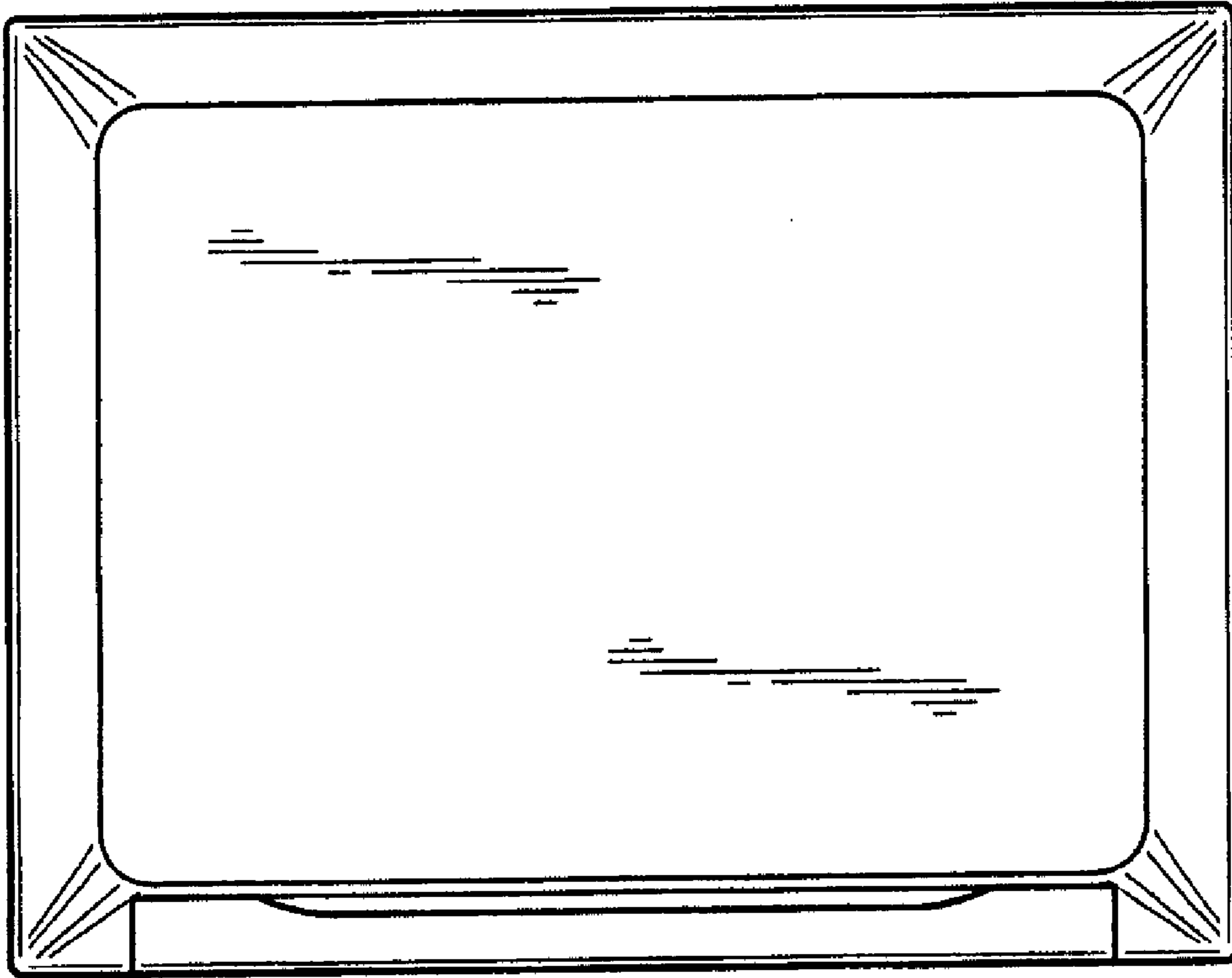


FIG. 5

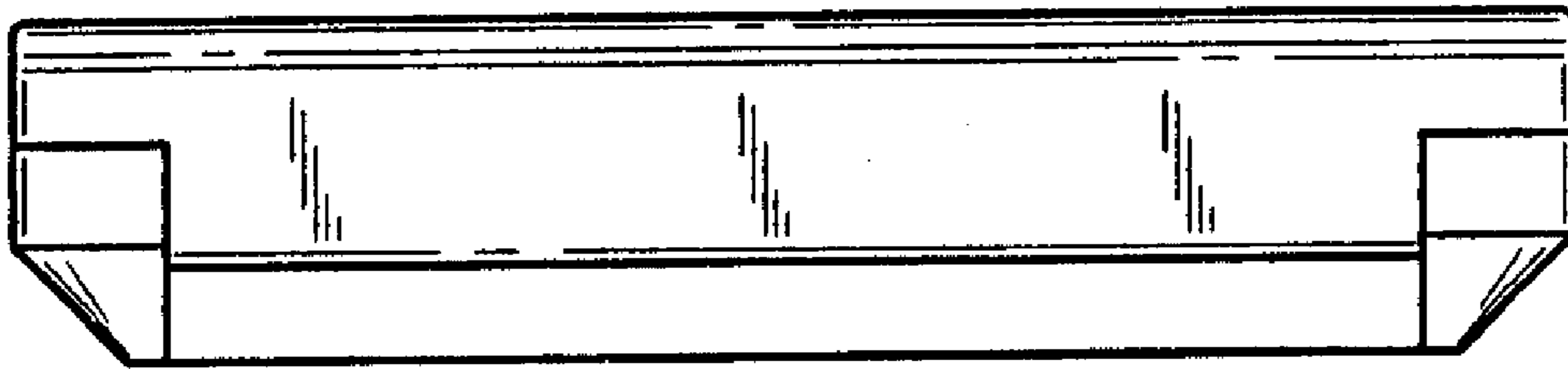


FIG. 6

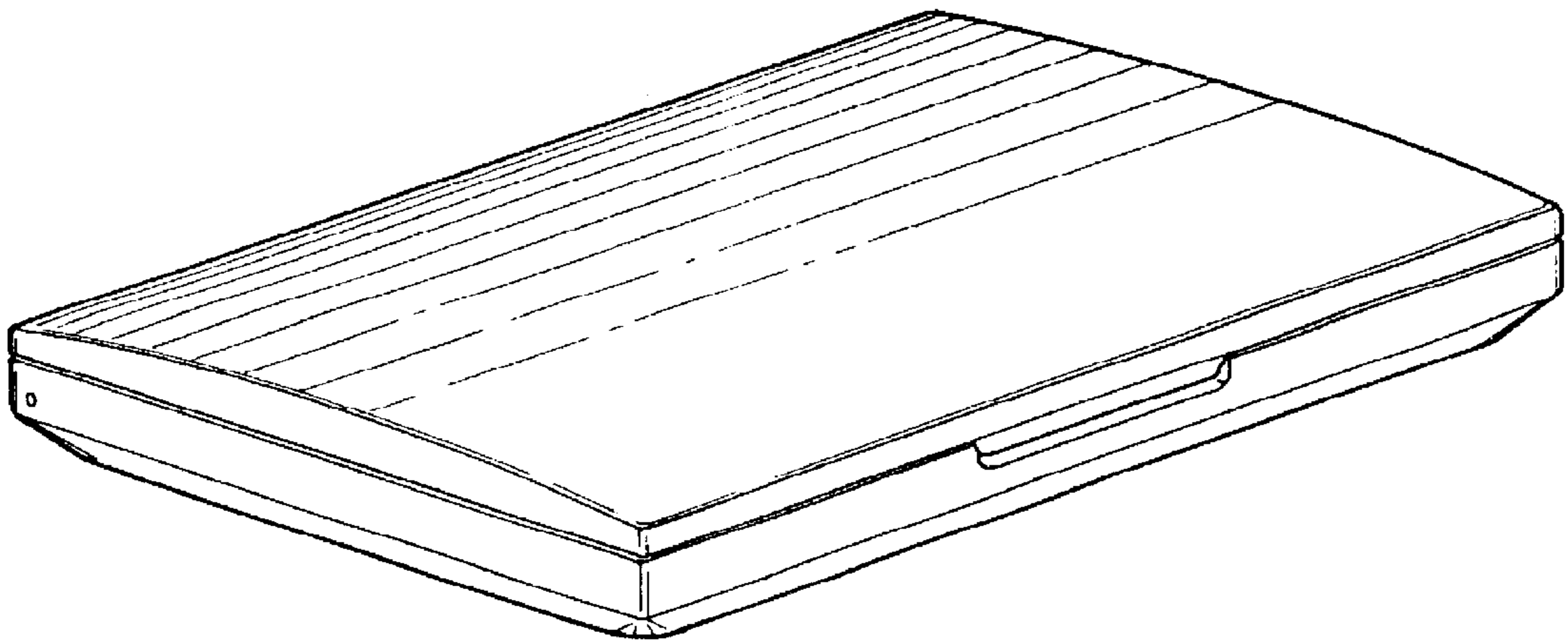


FIG. 7

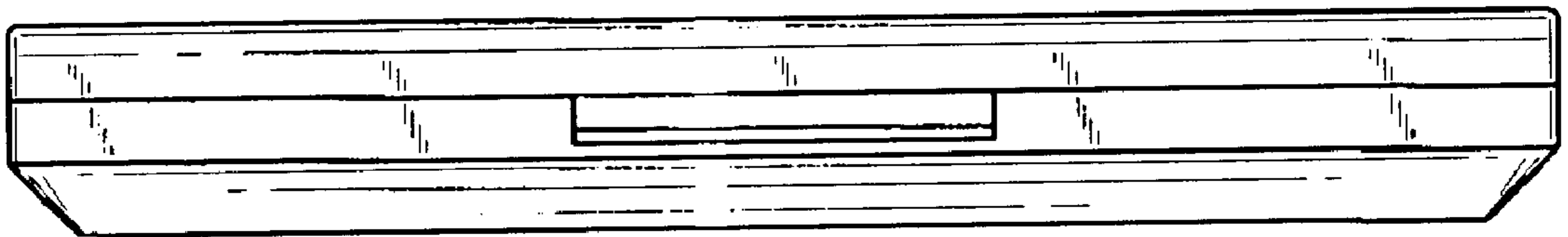


FIG. 8

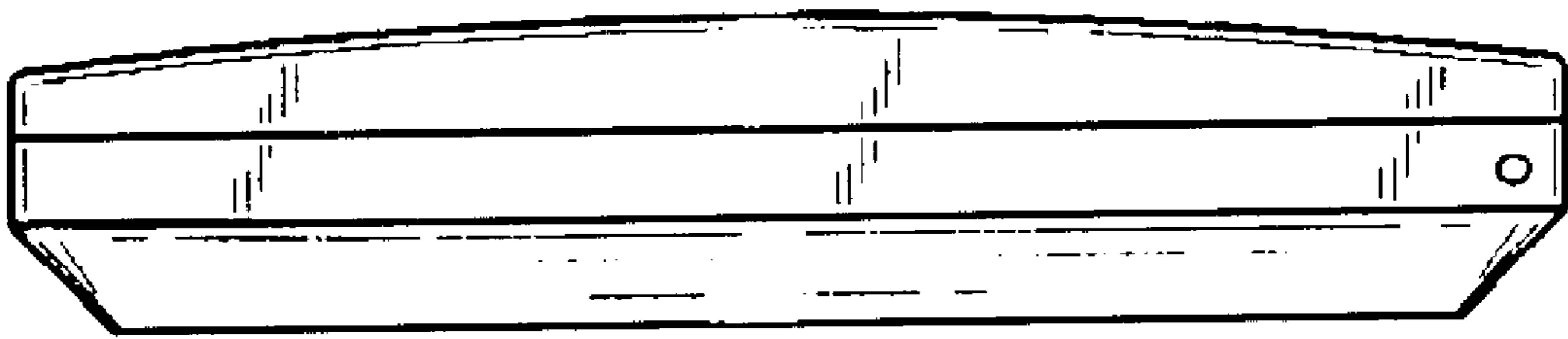


FIG. 9

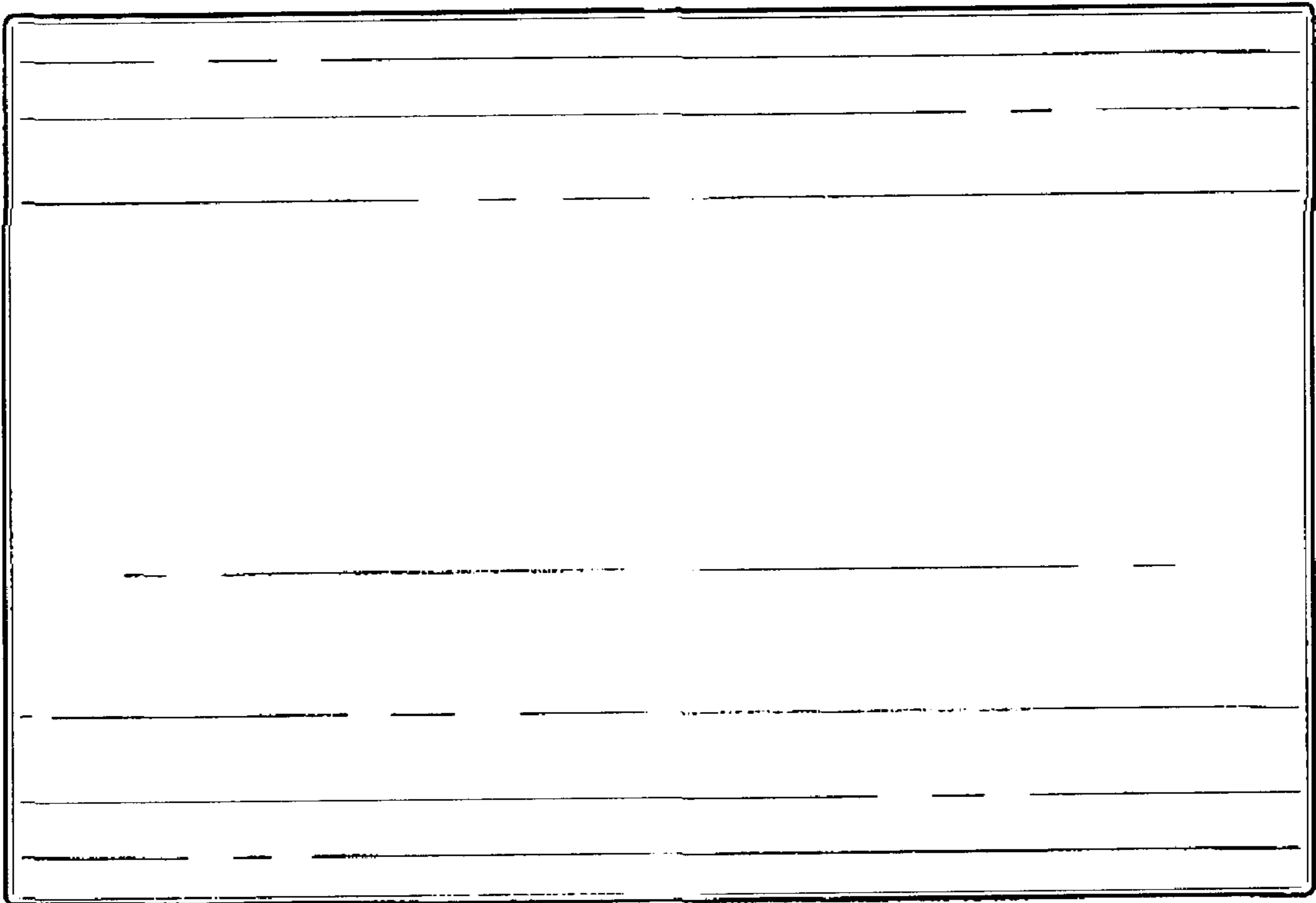


FIG. 10

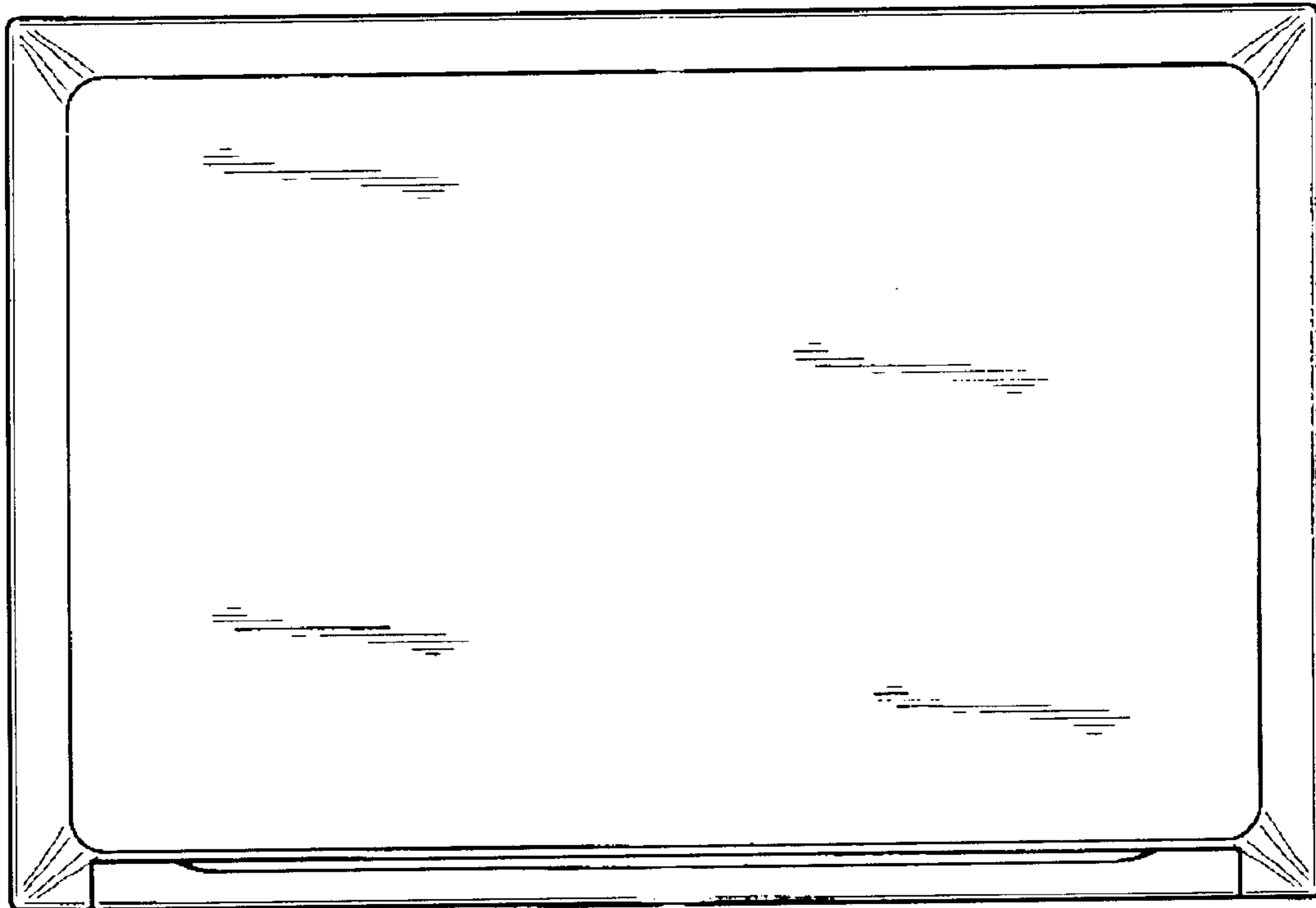


FIG. 11

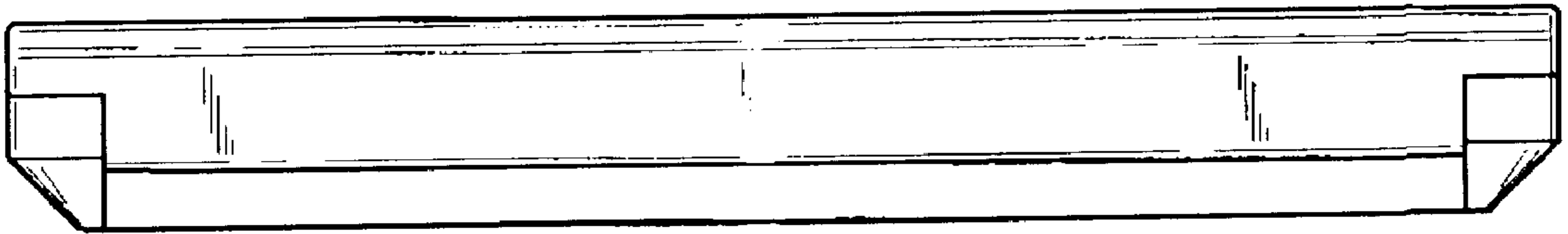


FIG. 12