



US00D478392S

(12) **United States Design Patent**  
**Kovacik et al.**

(10) **Patent No.:** **US D478,392 S**

(45) **Date of Patent:** **\*\* Aug. 12, 2003**

(54) **ARTICULATING ARM LIGHT**

5,303,136 A 4/1994 Brown  
5,548,496 A 8/1996 Hart et al.

(75) Inventors: **James D. Kovacik**, Brecksville, OH (US); **Paul S. Blanch**, Broadview Heights, OH (US); **Joseph J. Smith**, Wooster, OH (US)

**OTHER PUBLICATIONS**

Sunnex Halogen Work Lamps Bulletin L9306, 1993, goose-neck lamps and bases on p. 2 and Task/OEM lamps and bases on p. 8.\*

(73) Assignee: **Alert Safety Lite Products Co, Inc.**, Bedford Hts., OH (US)

\* cited by examiner

(\*\*) Term: **14 Years**

*Primary Examiner*—Alan P. Douglas  
*Assistant Examiner*—Linda Brooks

(21) Appl. No.: **29/174,597**

(74) *Attorney, Agent, or Firm*—MacMillan, Sobanski & Todd, LLC

(22) Filed: **Jan. 21, 2003**

(57) **CLAIM**

**Related U.S. Application Data**

We claim the ornamental design for an articulating arm light, as shown.

(62) Division of application No. 29/160,800, filed on May 16, 2002.

**DESCRIPTION**

(51) **LOC (7) Cl.** ..... **26-05**

FIG. 1 is a front perspective view of the articulating arm light of the present invention;

(52) **U.S. Cl.** ..... **D26/65**

FIG. 2 is a left side perspective view thereof;

(58) **Field of Search** ..... D26/73-112, 61-66;  
362/194, 266, 269-289

FIG. 3 is a rear perspective view thereof;

FIG. 4 is a front elevation view thereof;

FIG. 5 is a right side elevation view thereof;

FIG. 6 is a rear elevation view thereof; and,

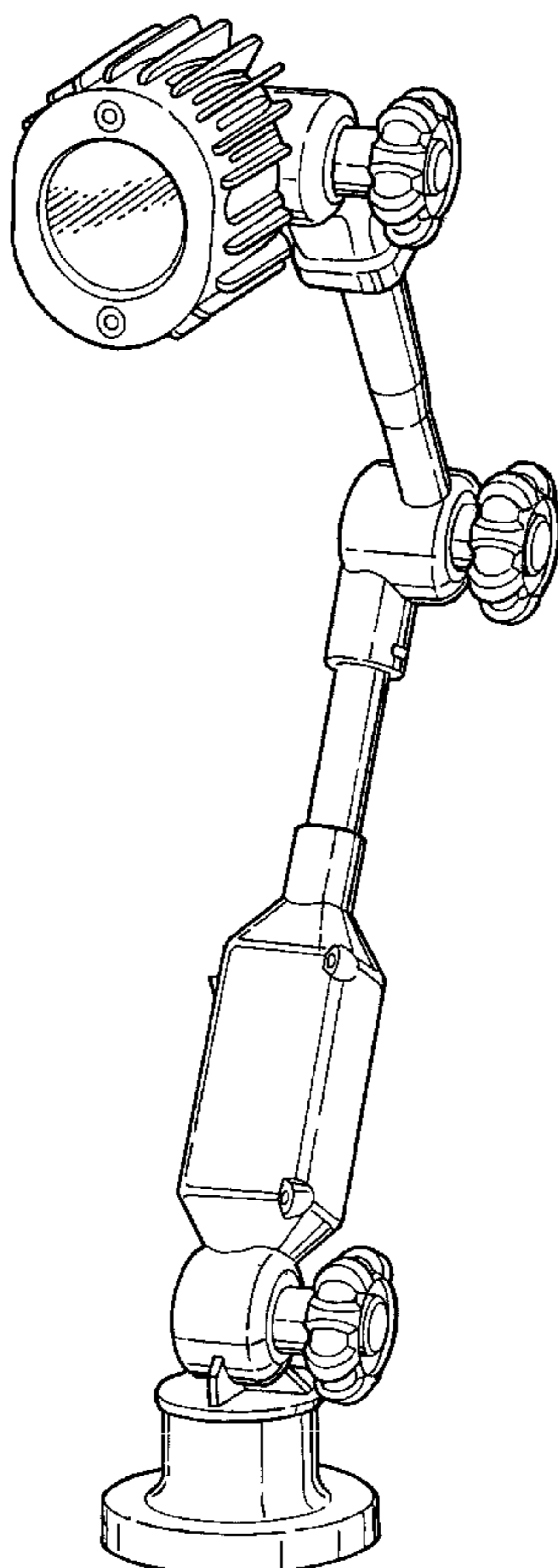
FIG. 7 is a left side elevation view thereof.

(56) **References Cited**

**U.S. PATENT DOCUMENTS**

4,494,177 A 1/1985 Matthews  
4,774,647 A 9/1988 Kovacik  
5,016,153 A 5/1991 Gismondi et al.

**1 Claim, 7 Drawing Sheets**



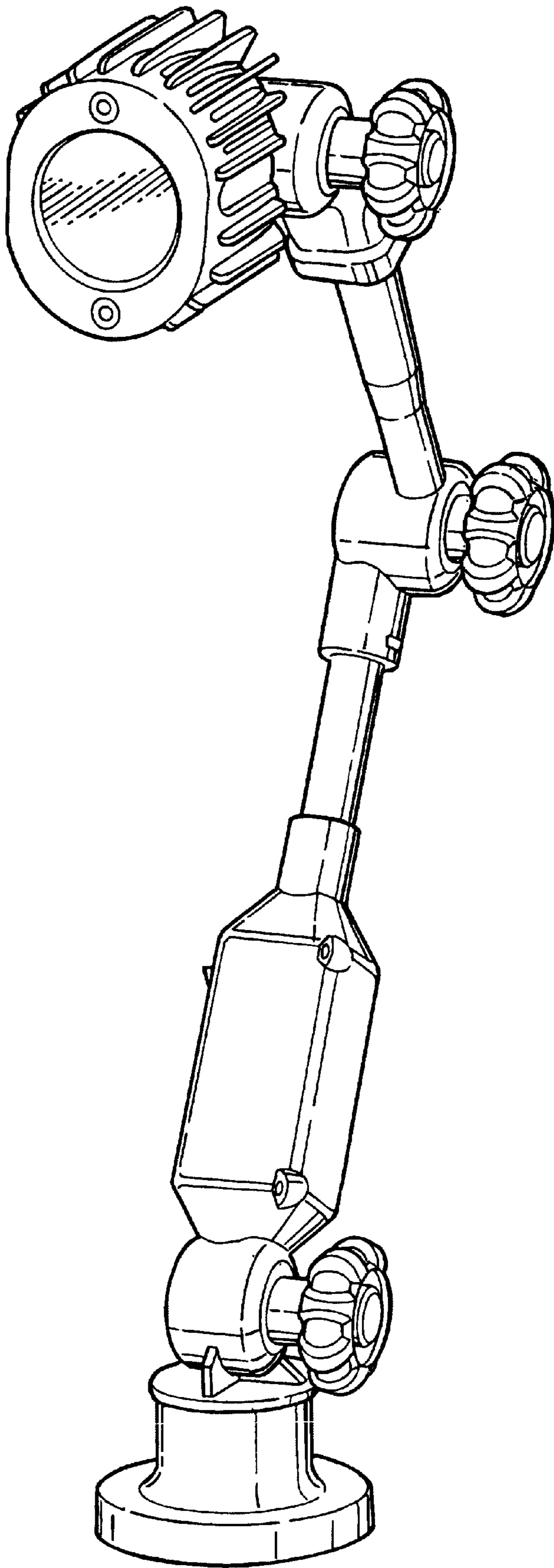
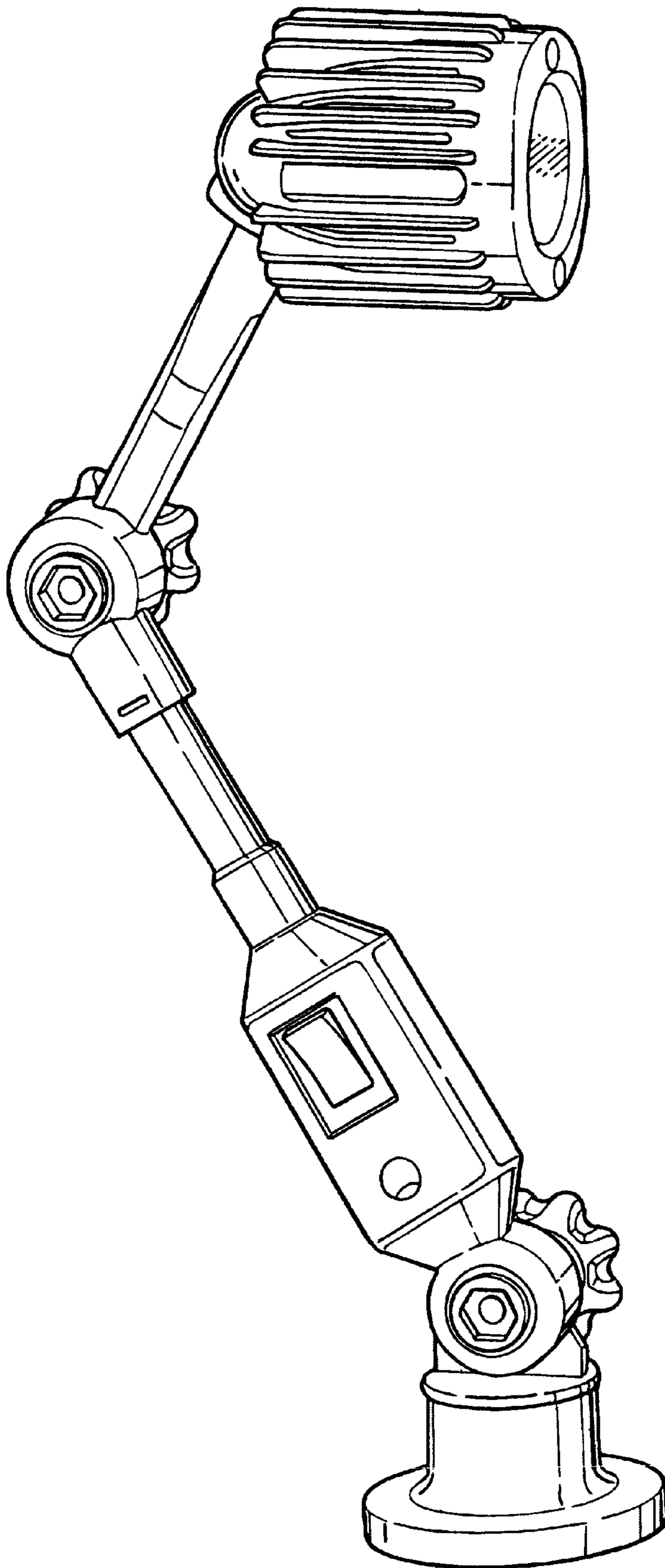
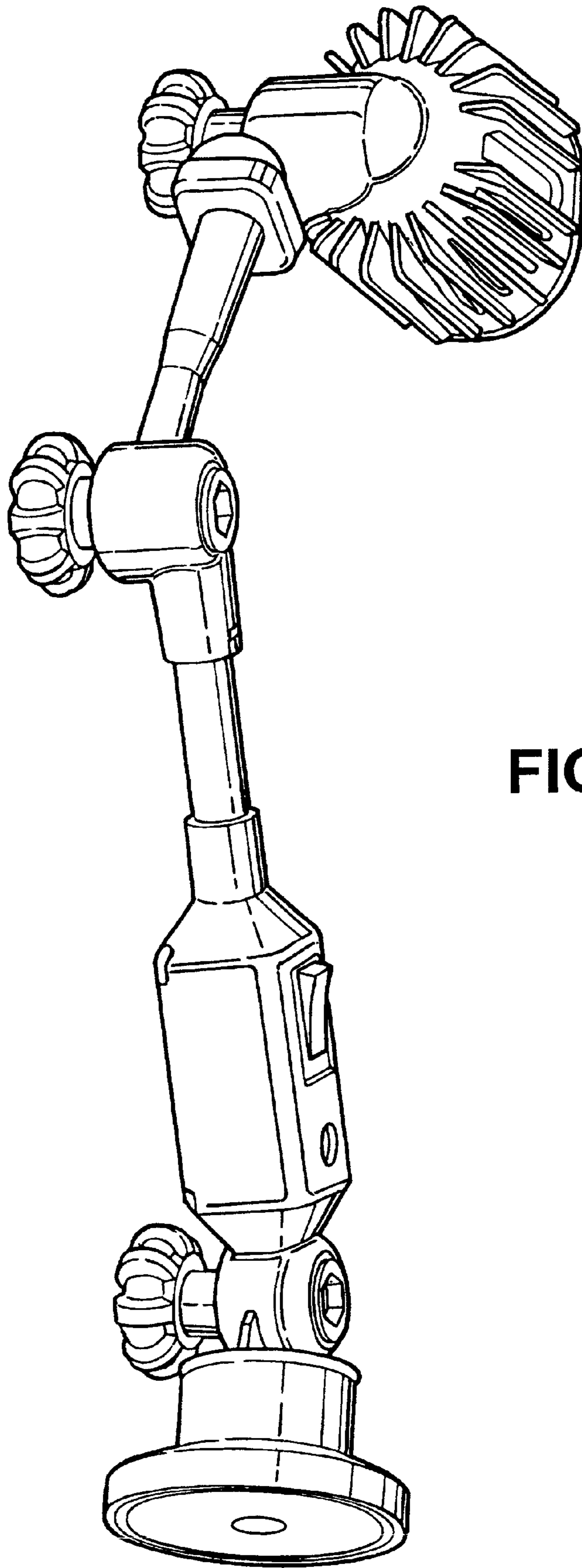


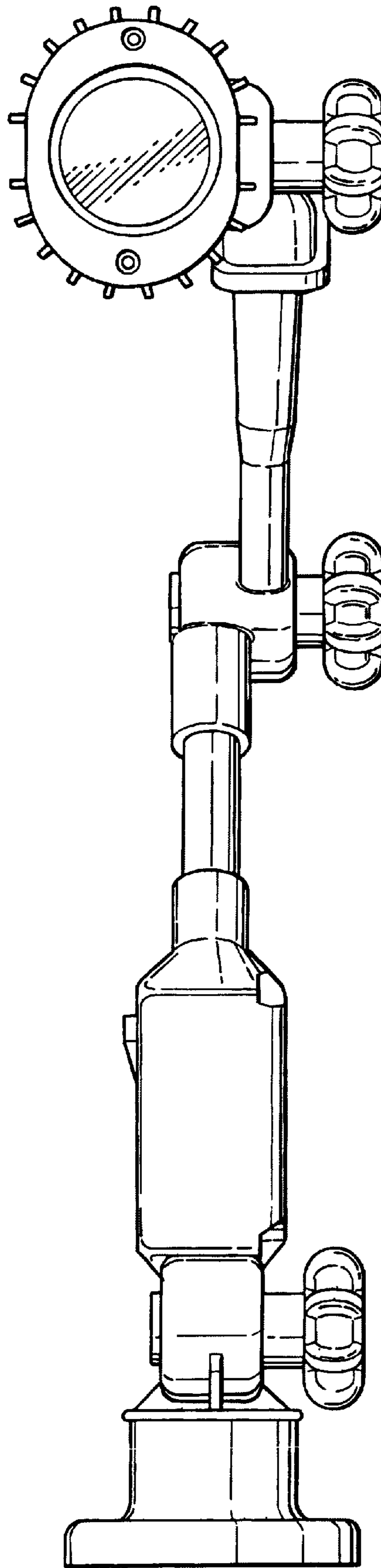
FIG - 1



**FIG - 2**



**FIG - 3**



**FIG - 4**

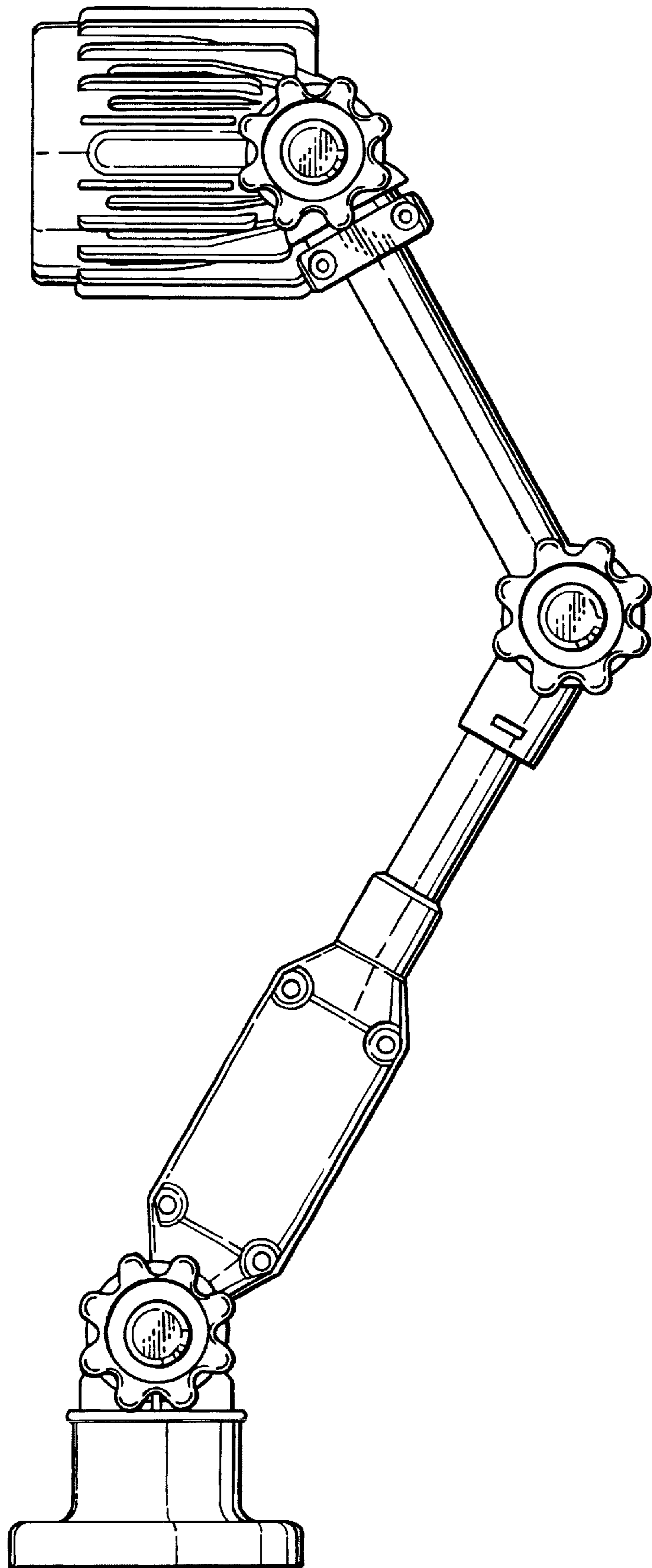
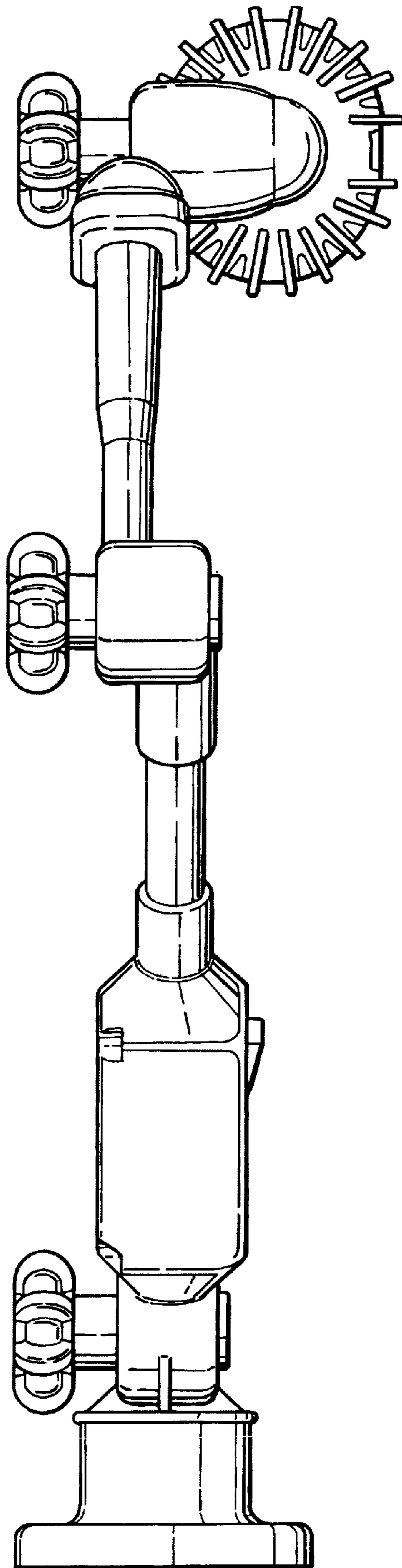


FIG - 5

**FIG - 6**



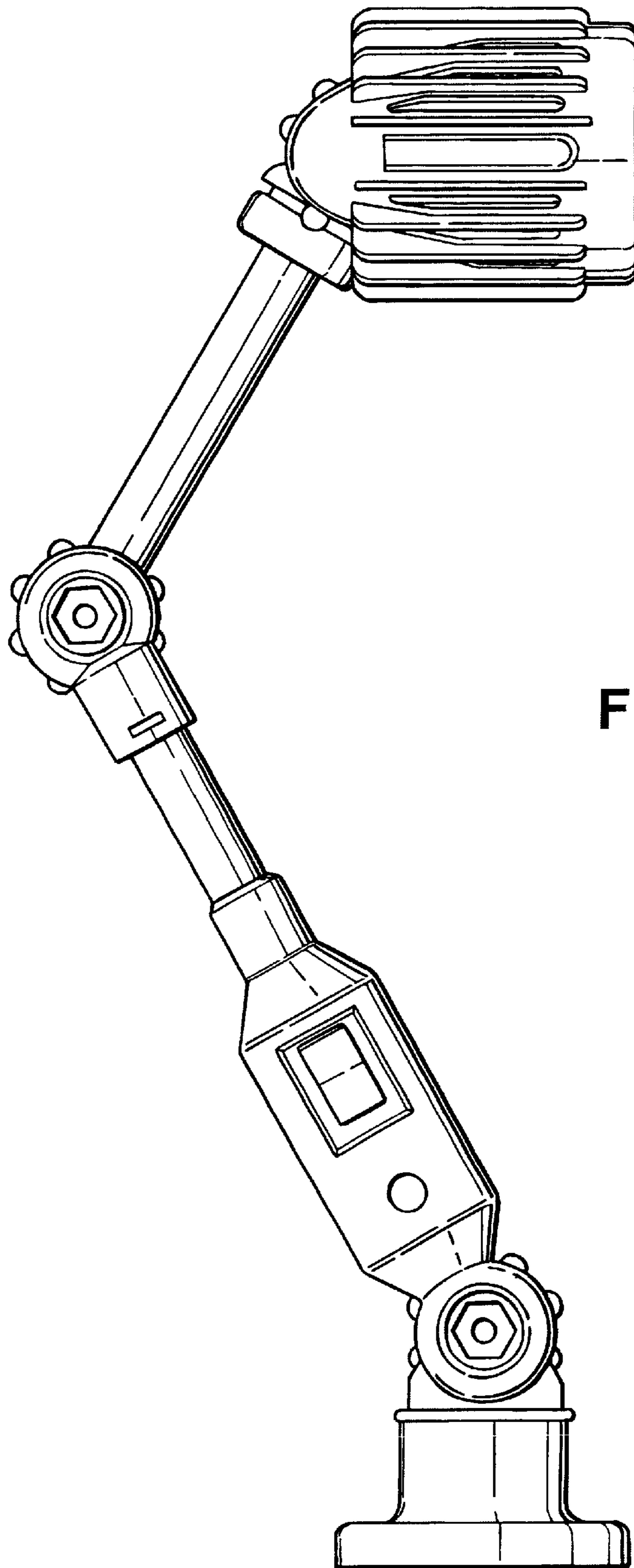


FIG - 7