



US00D478377S

(12) **United States Design Patent**  
**Starck**

(10) **Patent No.:** **US D478,377 S**

(45) **Date of Patent:** **\*\* Aug. 12, 2003**

(54) **SANITARY FITTING**

(75) Inventor: **Philippe Starck**, Paris (FR)

(73) Assignee: **Hansgrohe AG**, Schiltach (DE)

(\*\*) Term: **14 Years**

(21) Appl. No.: **29/166,799**

(22) Filed: **Sep. 4, 2002**

(30) **Foreign Application Priority Data**

Jun. 19, 2002 (DE) ..... 4 02 05 012

(51) **LOC (7) Cl.** ..... **23-02**

(52) **U.S. Cl.** ..... **D23/304**

(58) **Field of Search** ..... D23/213, 223,  
D23/229, 273, 275, 283, 303, 304; 4/552,  
555, 567-568, 596-605, 616, 617, 618,  
900, 903

(56) **References Cited**

**U.S. PATENT DOCUMENTS**

D453,813 S \* 2/2002 Gottwald  
D454,620 S \* 3/2002 Starck ..... D23/283

**FOREIGN PATENT DOCUMENTS**

DE 1 778 823 8/1971  
DE 32 30 848 2/1984

\* cited by examiner

*Primary Examiner*—Louis S. Zarfaz  
*Assistant Examiner*—Robert A Delehanty  
(74) *Attorney, Agent, or Firm*—Duane Morris LLP

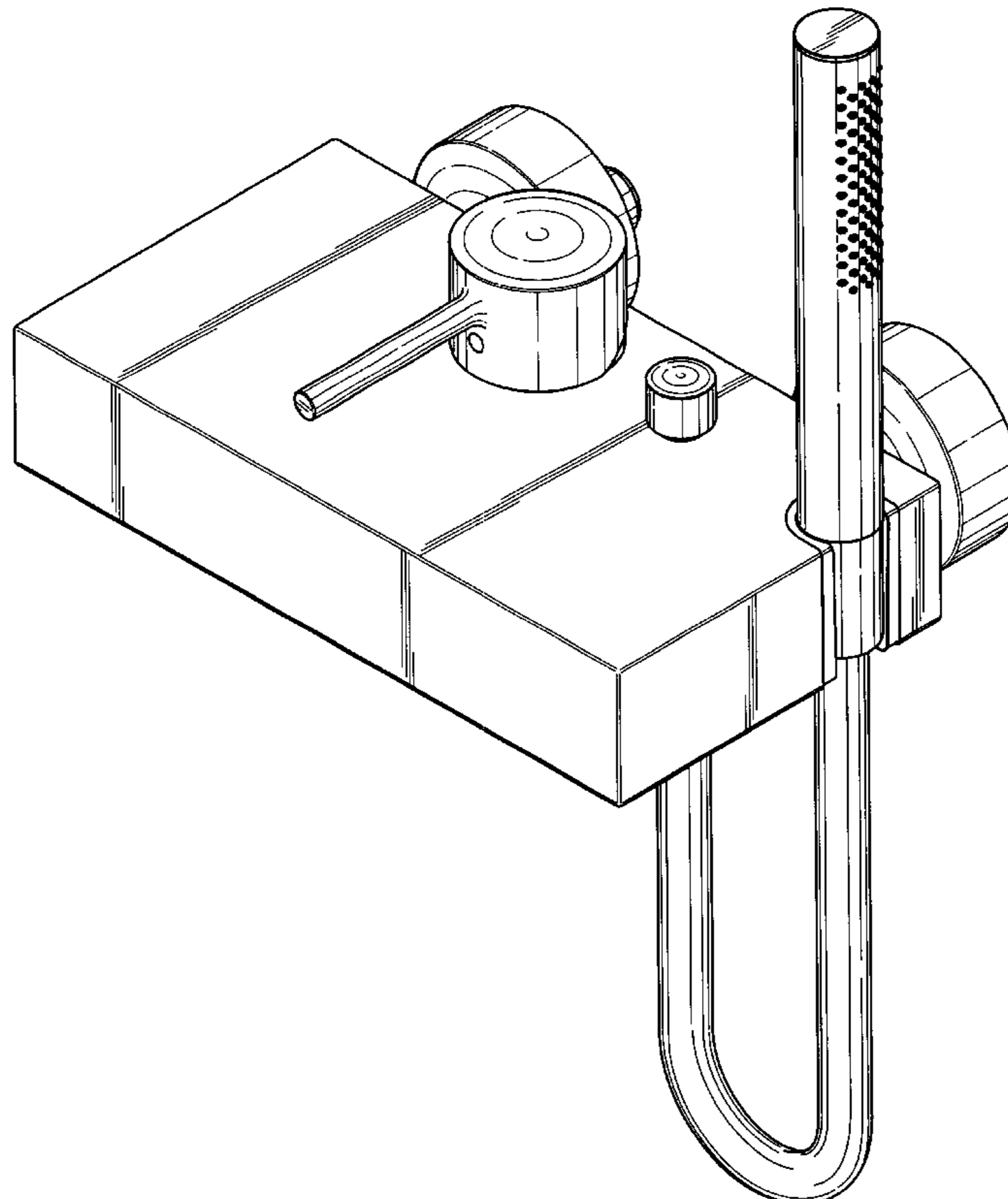
(57) **CLAIM**

The ornamental design for the sanitary fitting, as shown and described.

**DESCRIPTION**

FIG. 1: is a side perspective view of the sanitary fitting showing my new design;  
FIG. 2: is a front elevation view thereof;  
FIG. 3: is a side elevation view thereof;  
FIG. 4: is the opposite side elevation view thereof;  
FIG. 5: is a rear elevation view thereof;  
FIG. 6: is a bottom plan view thereof;  
FIG. 7: is a top plan view thereof;  
FIG. 8: is the side perspective view of the sanitary fitting as shown in FIG. 1, whereas the diverter is shown in broken lines and forms no part of the claimed design;  
FIG. 9: is the front elevation view of FIG. 8, whereas the water outlet is also shown in broken lines and forms no part of the claimed design;  
FIG. 10: is the side elevation view of FIG. 9;  
FIG. 11: is the opposite side elevation thereof;  
FIG. 12: is the rear elevation view of FIG. 9;  
FIG. 13: is the bottom plan view of FIG. 9; and,  
FIG. 14: is the top plan view of FIG. 9.

**1 Claim, 12 Drawing Sheets**



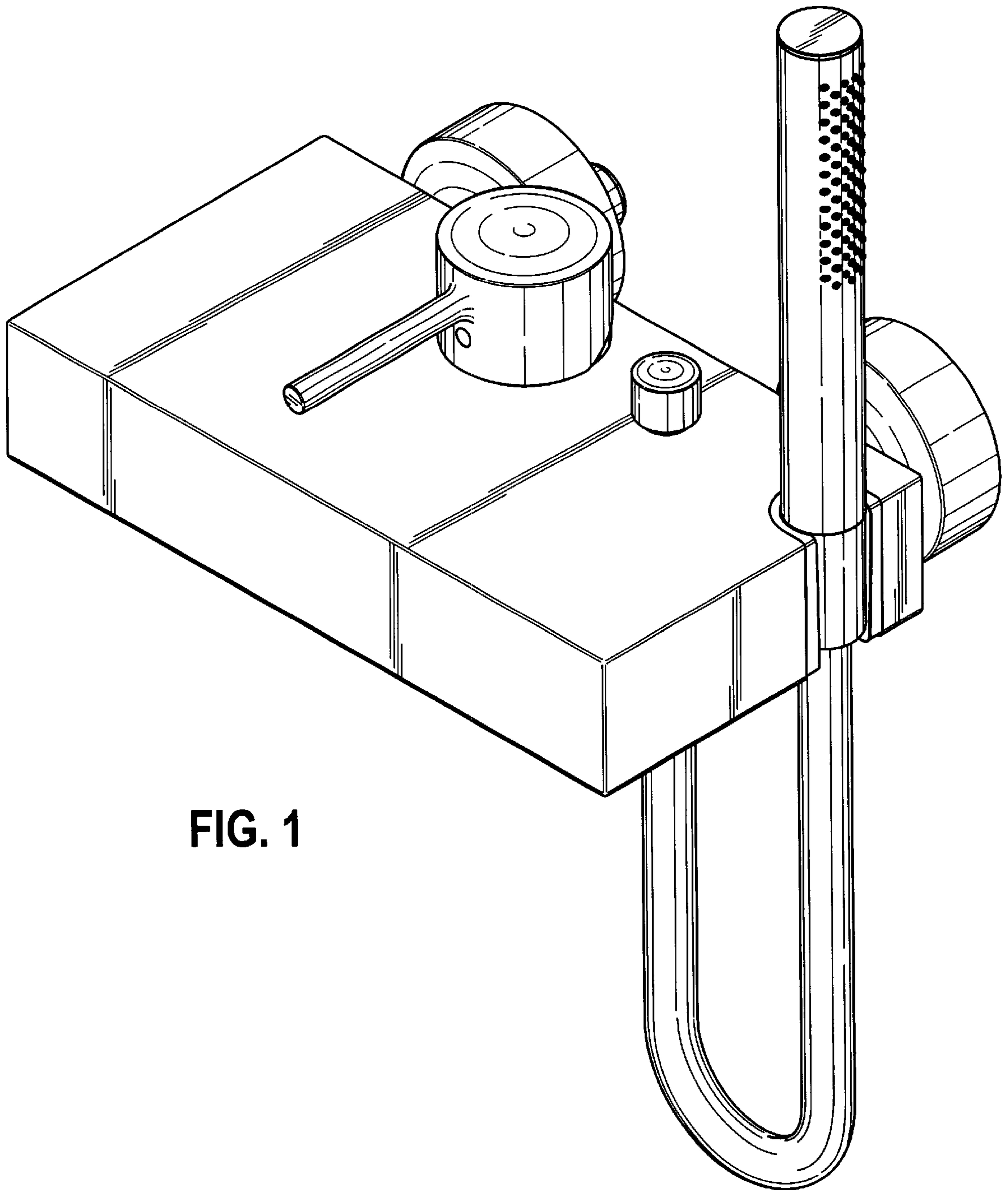


FIG. 1

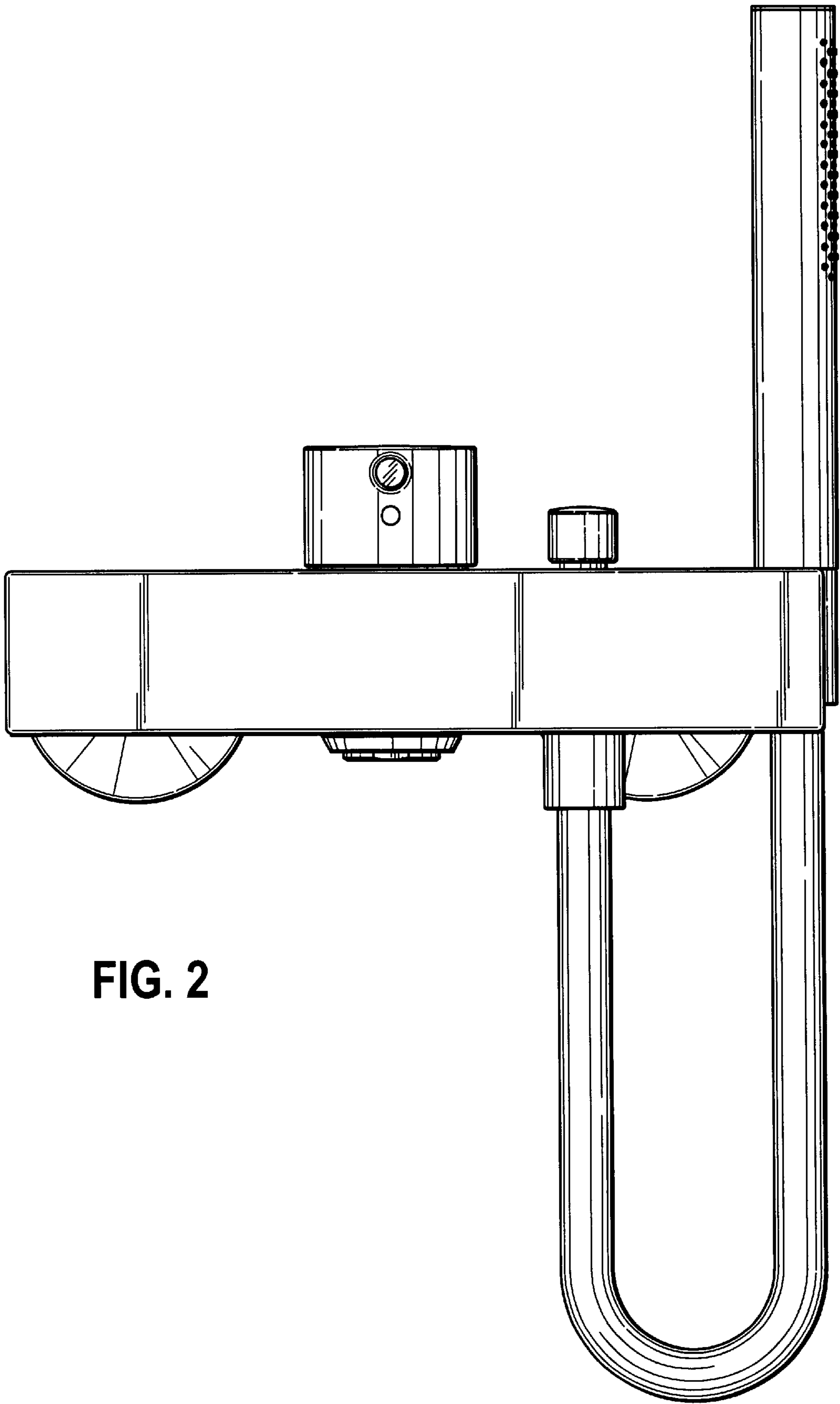


FIG. 2

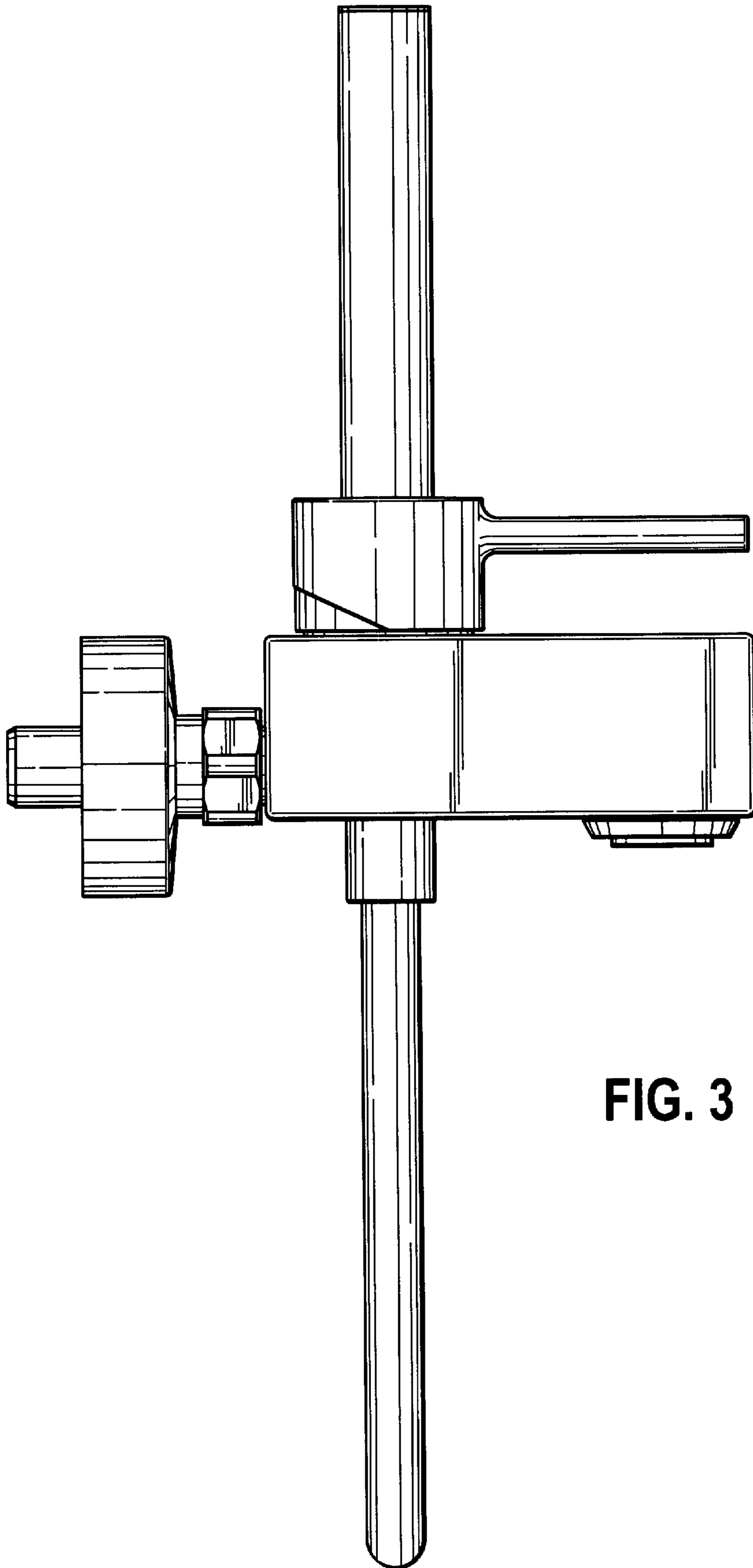


FIG. 3

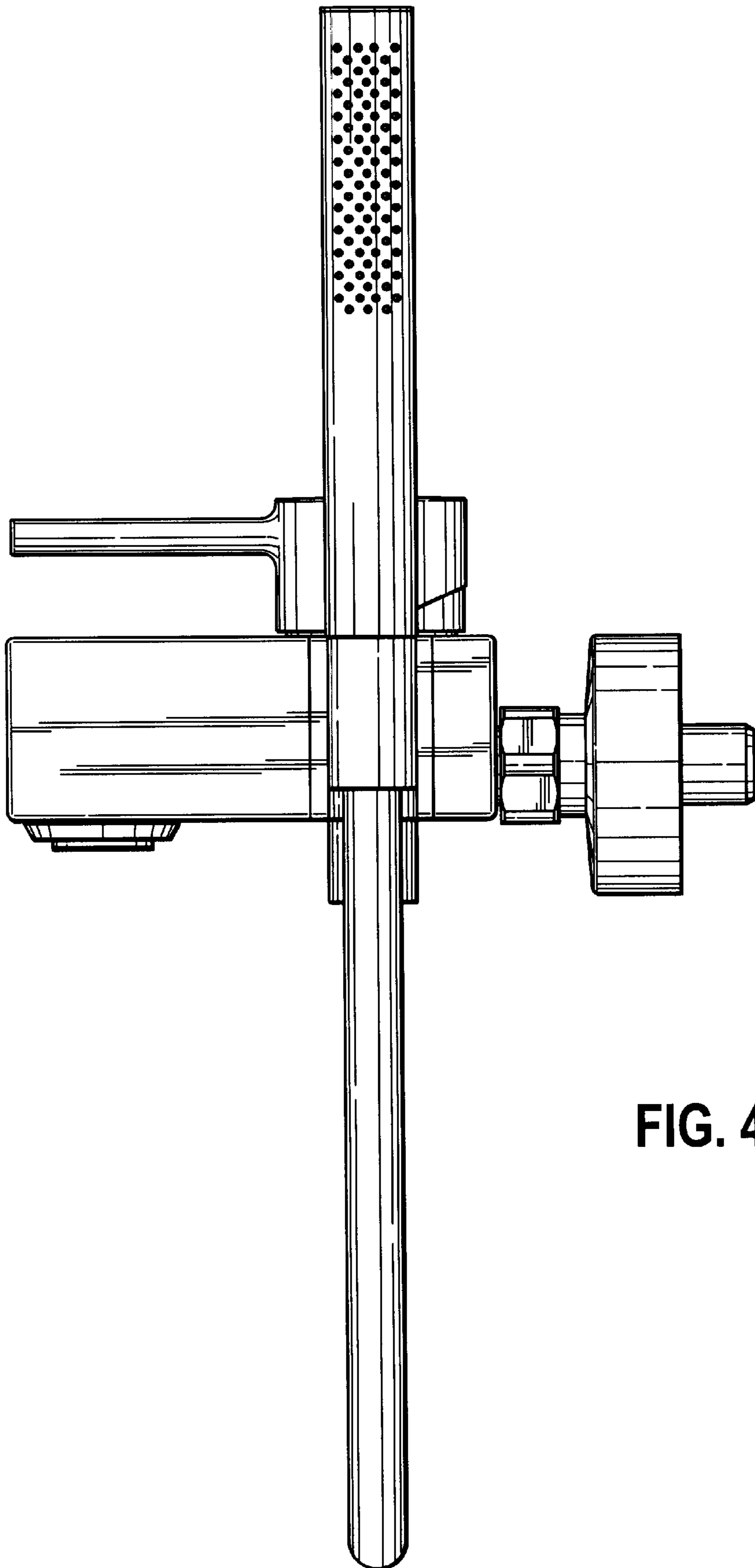


FIG. 4

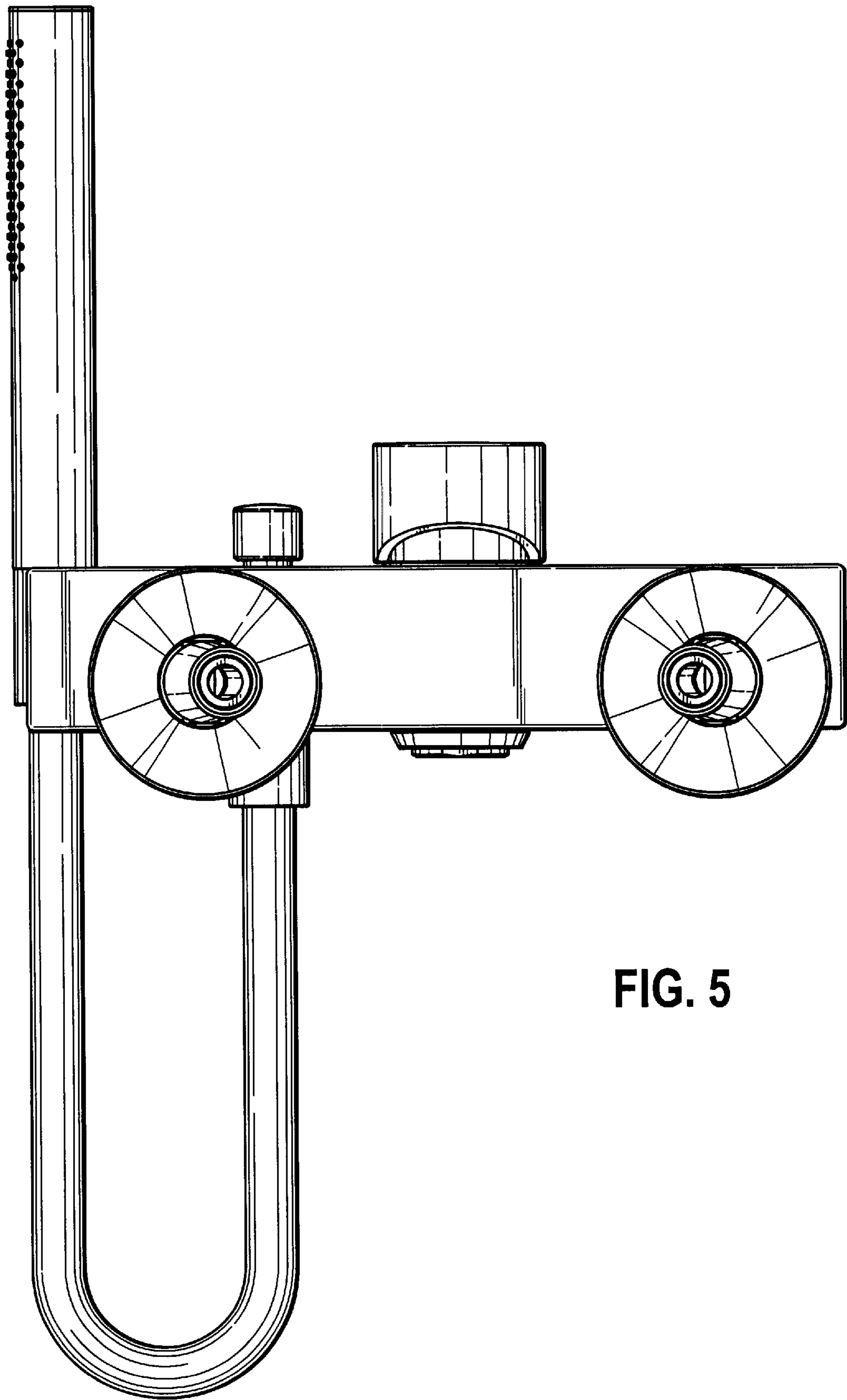


FIG. 5

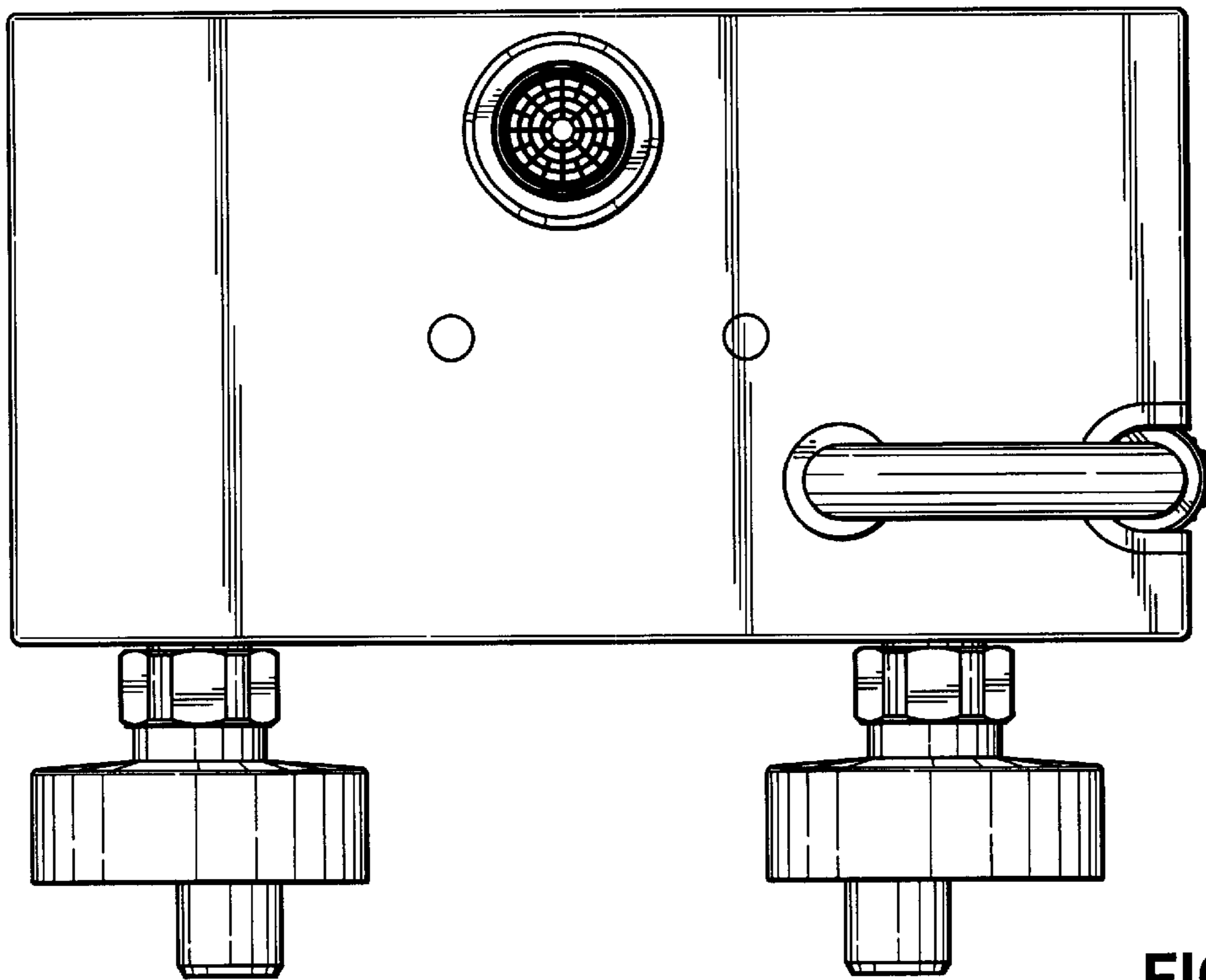


FIG. 6

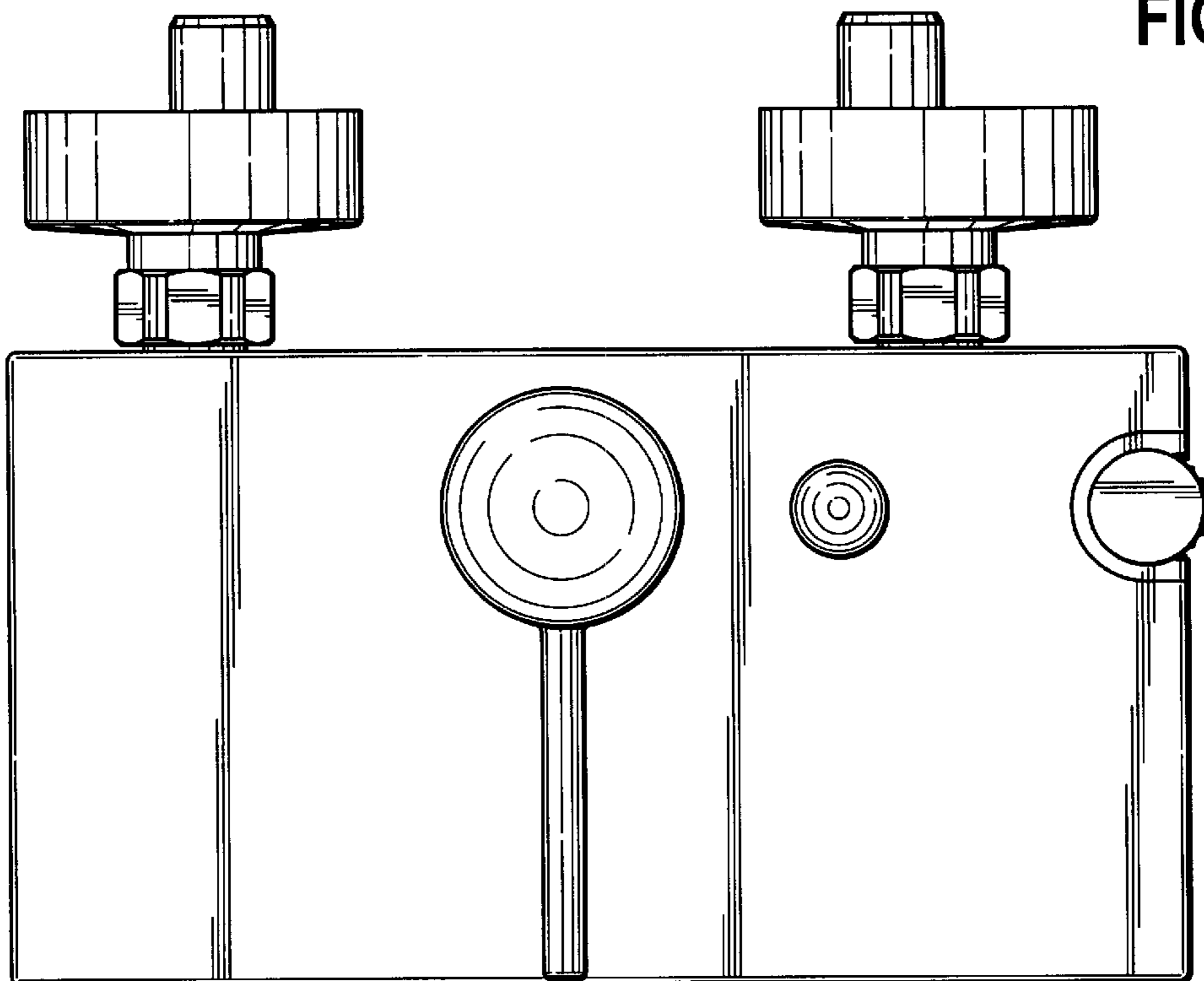


FIG. 7

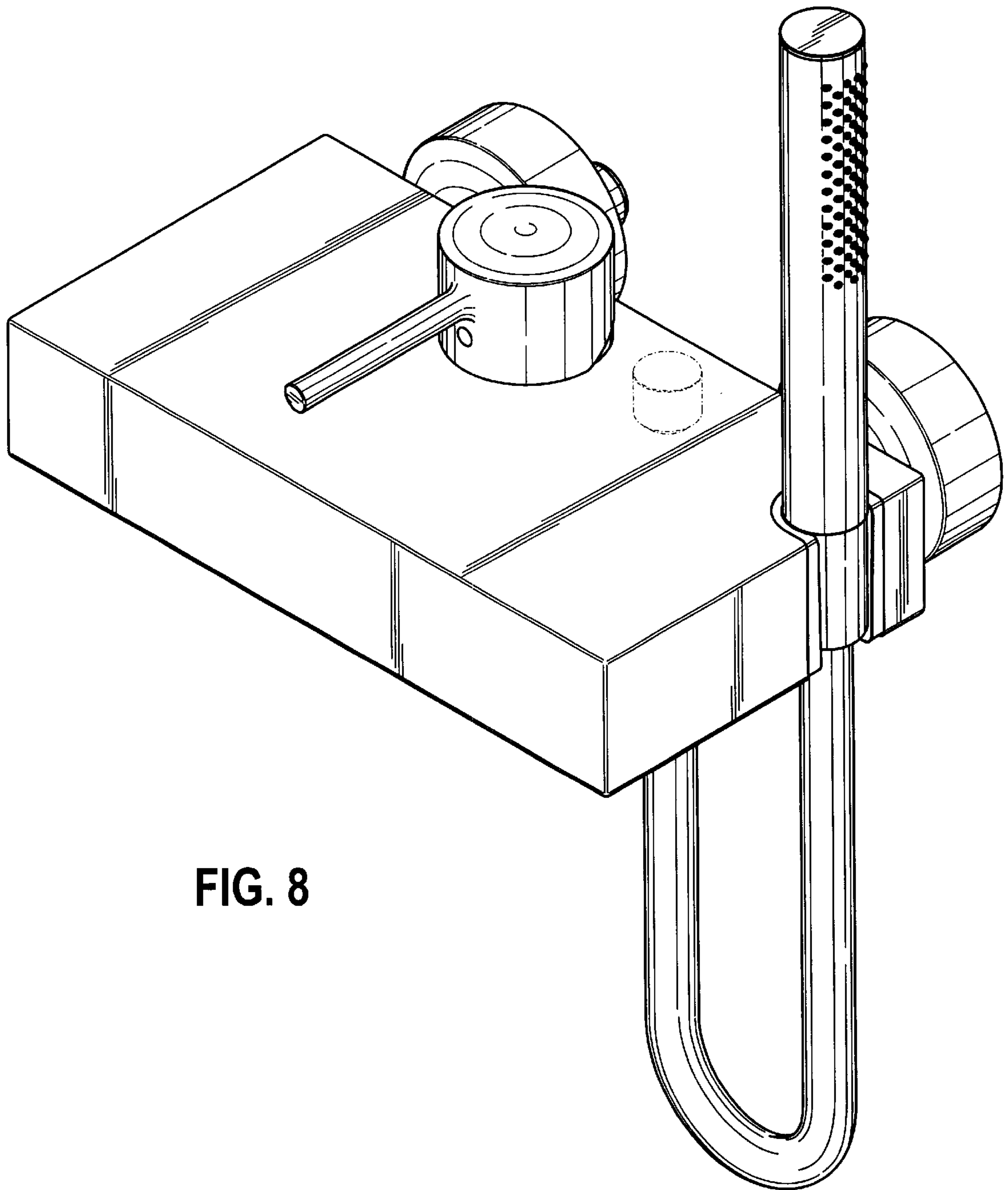


FIG. 8



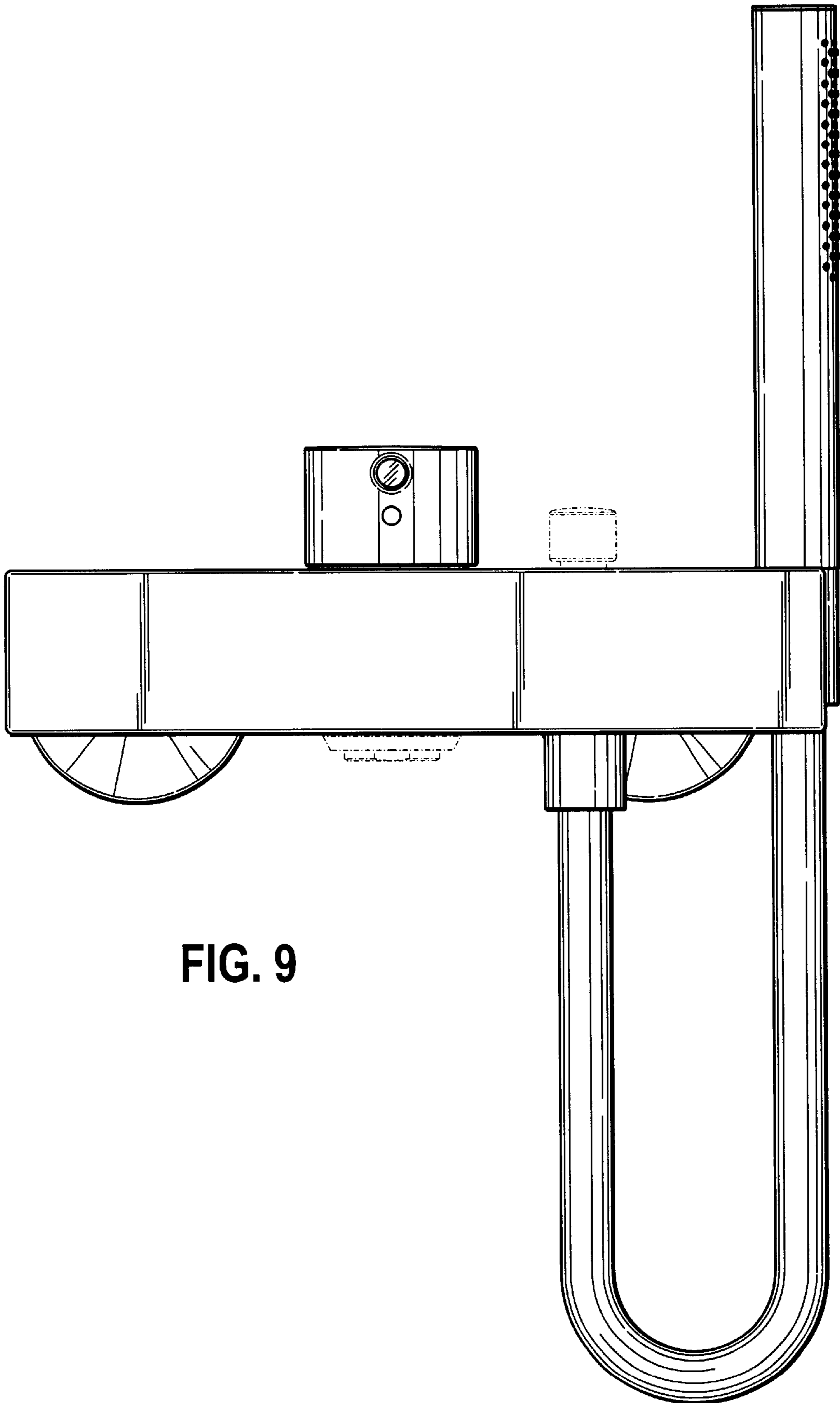


FIG. 9

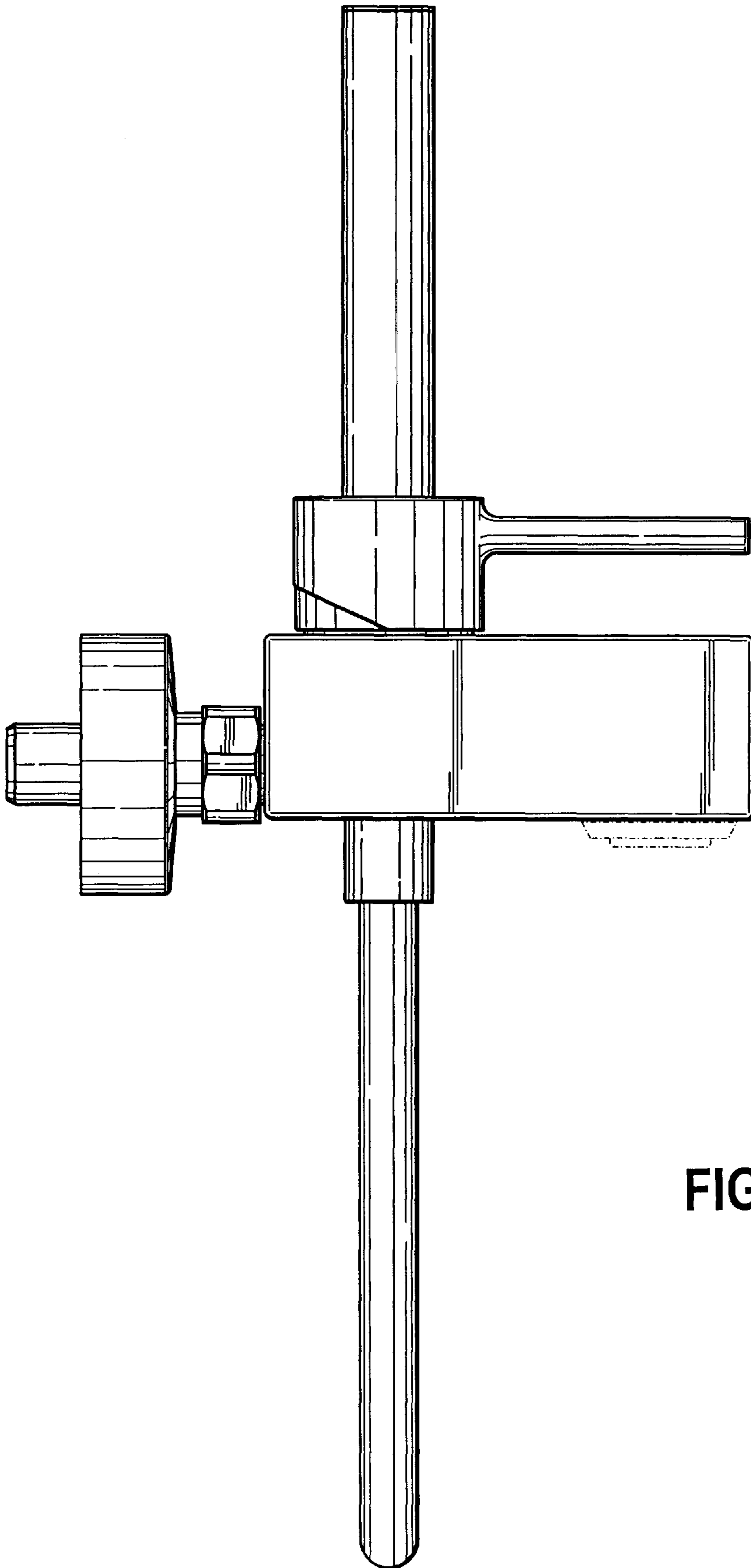


FIG. 10

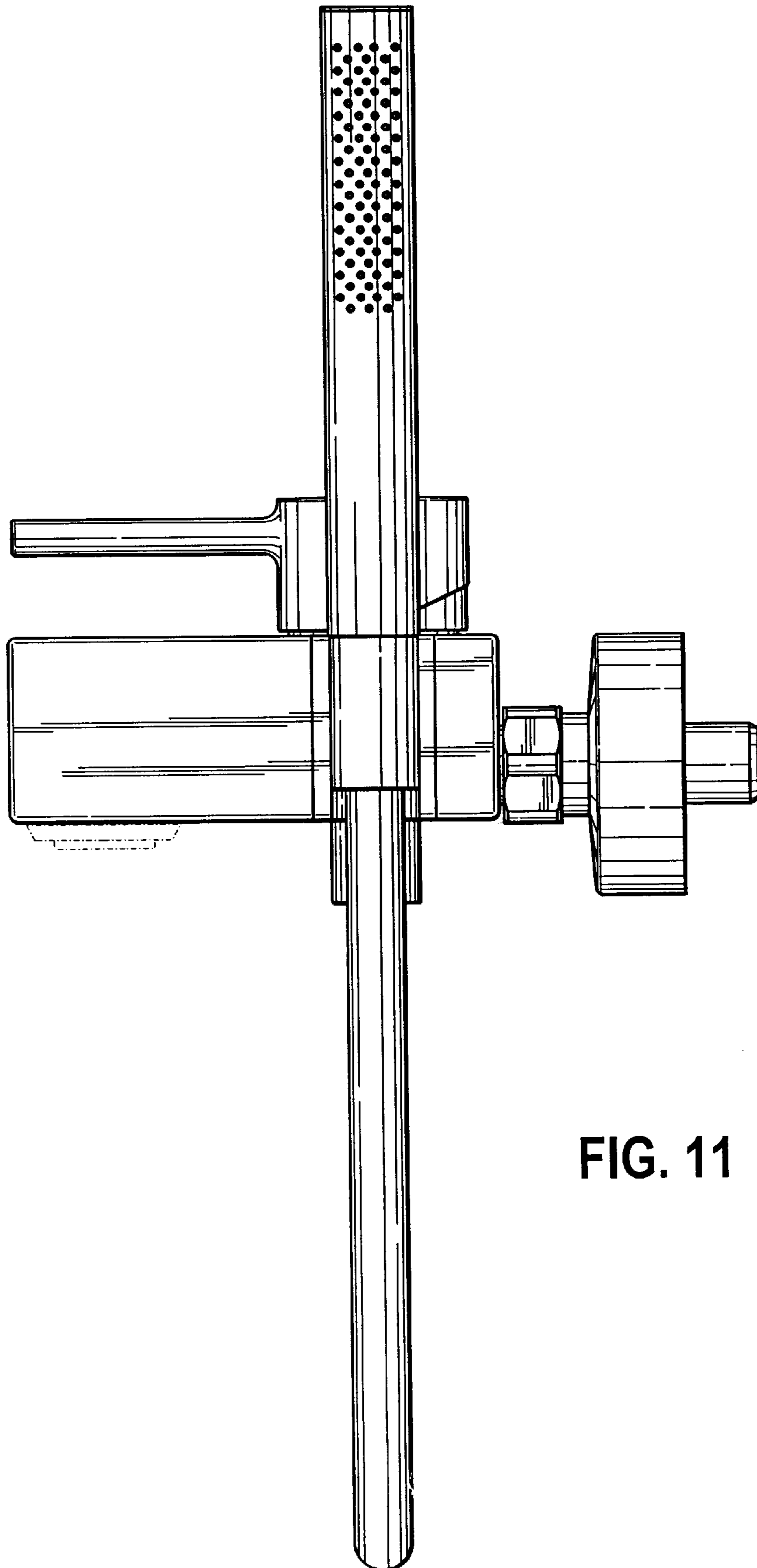


FIG. 11

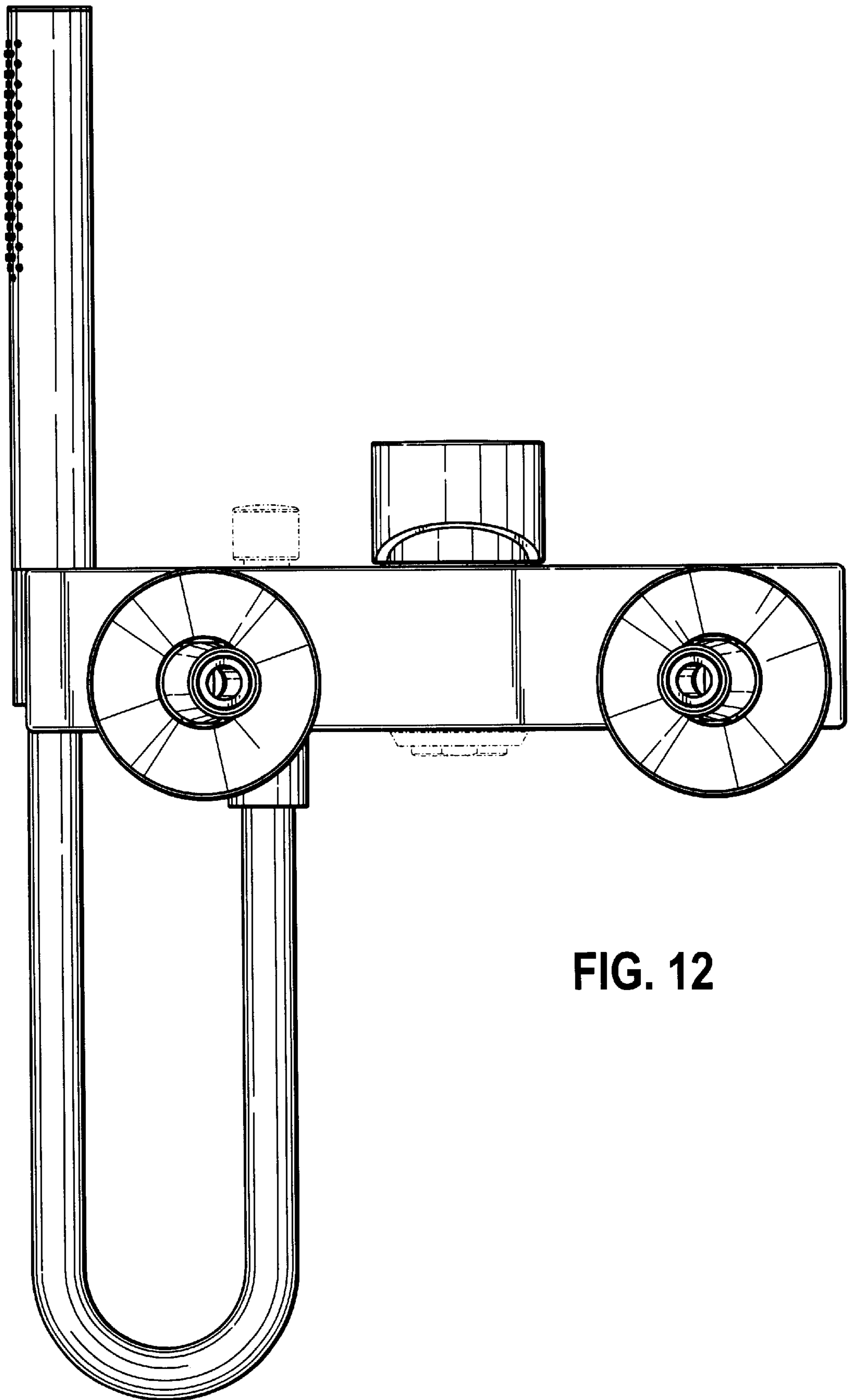


FIG. 12

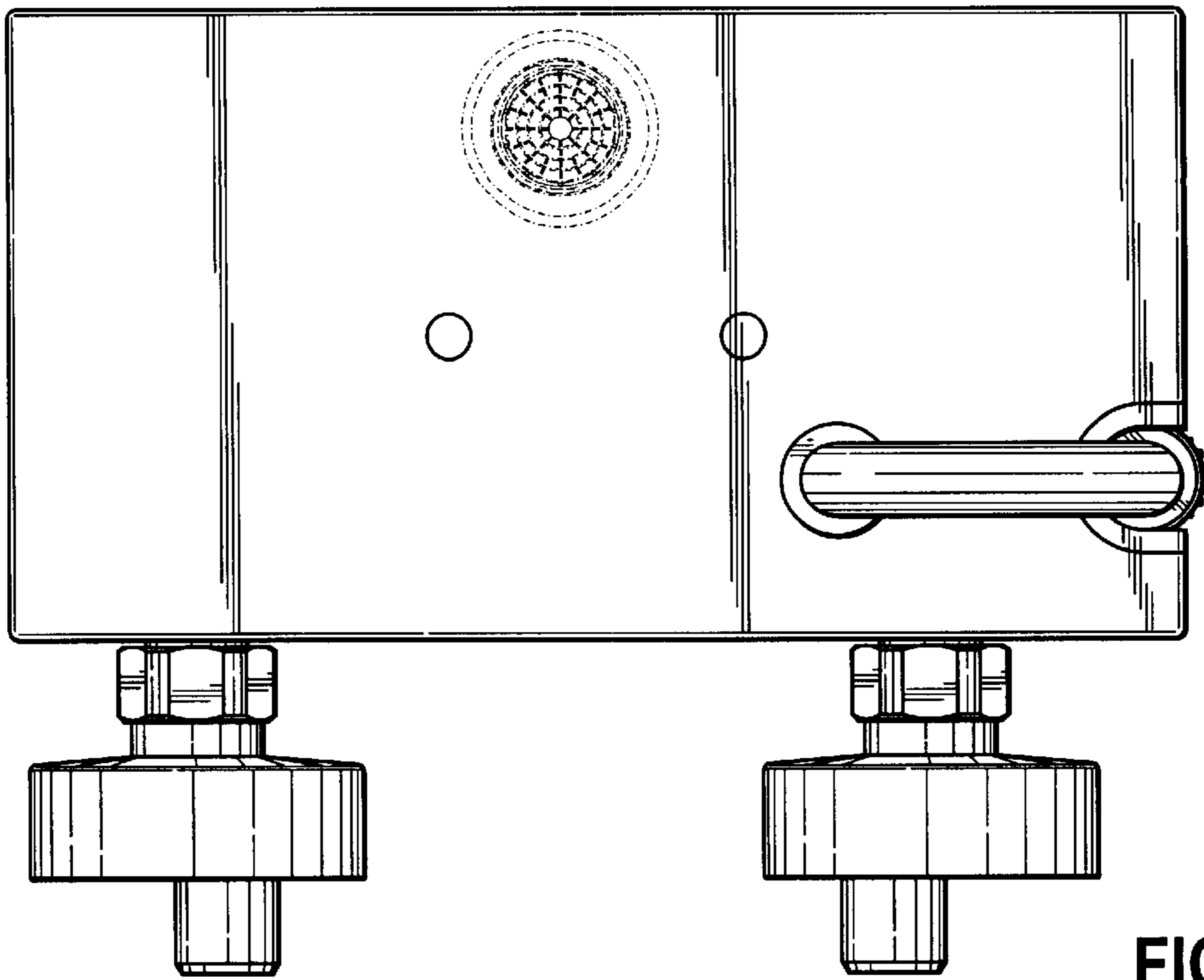


FIG. 13

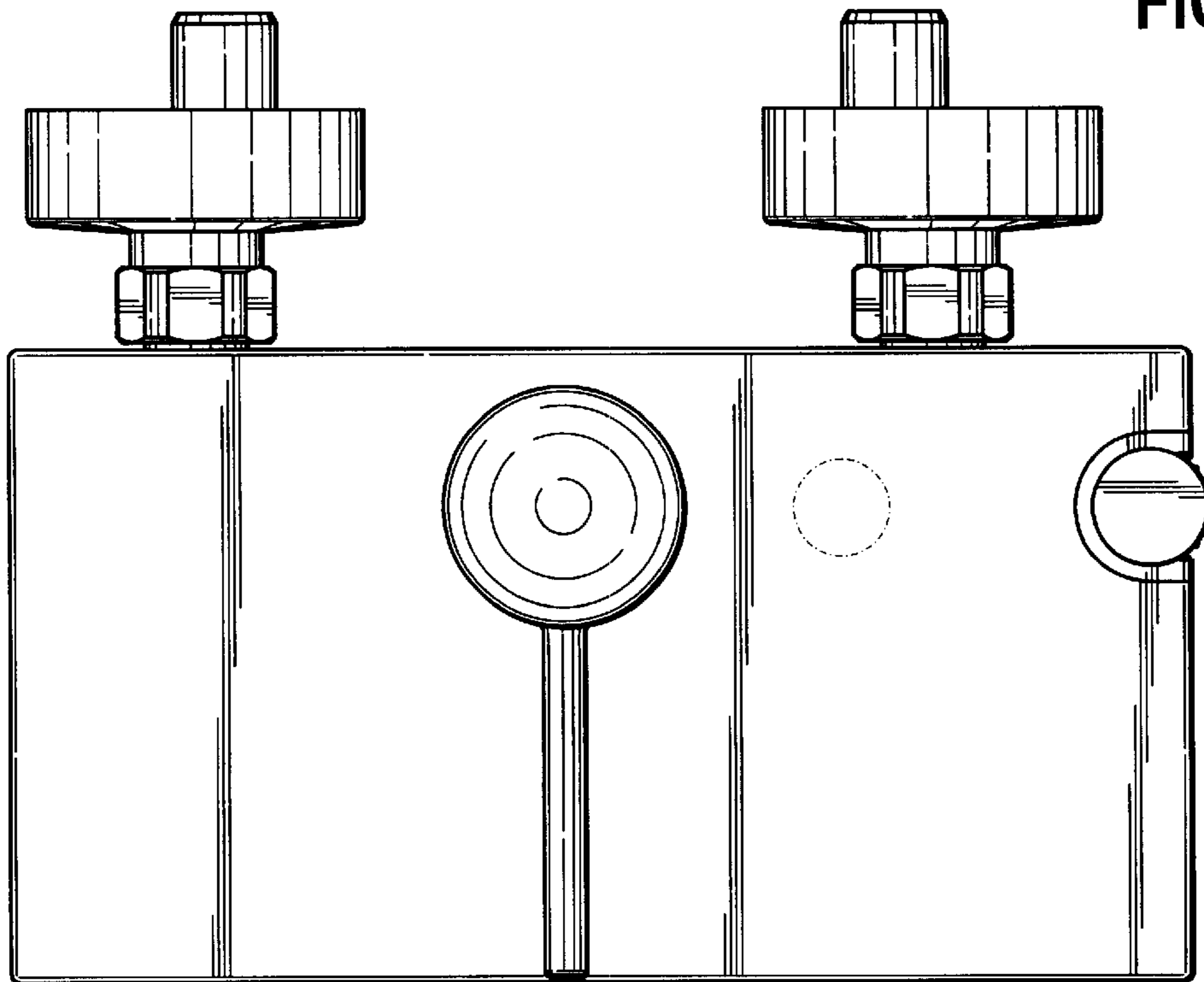


FIG. 14