



US00D478376S

(12) **United States Design Patent**
Kawamura et al.

(10) **Patent No.:** **US D478,376 S**

(45) **Date of Patent:** **** Aug. 12, 2003**

(54) **WATER CLOSET**

D424,182 S * 5/2000 Svendsen D23/301
D453,556 S * 2/2002 Kawamura D23/301

(75) Inventors: **Sejiro Kawamura**, Fukuoka (JP);
Minoru Tani, Fukuoka (JP)

* cited by examiner

(73) Assignee: **Toto Ltd.**, Fukuoka (JP)

Primary Examiner—Louis S. Zarfes
Assistant Examiner—Robert A. Delehanty
(74) *Attorney, Agent, or Firm*—Birch, Stewart, Kolasch & Birch, LLP

(**) Term: **14 Years**

(21) Appl. No.: **29/155,820**

(22) Filed: **Feb. 20, 2002**

(57) **CLAIM**

(30) **Foreign Application Priority Data**

Dec. 13, 2001 (JP) 2001-036633

The ornamental design for water closet, as shown and described.

(51) **LOC (7) Cl.** **23-02**

DESCRIPTION

(52) **U.S. Cl.** **D23/301**

FIG. 1 is a front perspective view of a water closet showing our new design;

(58) **Field of Search** D23/273-274,
D23/295-299, 301, 303, 309, 313; 4/663-665,
300, 328-329, 353-354, 364, 420, 443,
446, 474, 476, DIG. 15

FIG. 2 is a front elevational view thereof;

FIG. 3 is a top plan view thereof;

FIG. 4 is a right side elevational view thereof; and,

FIG. 5 is a left side elevational view thereof.

(56) **References Cited**

U.S. PATENT DOCUMENTS

D409,735 S * 5/1999 Svendsen D23/301

1 Claim, 4 Drawing Sheets

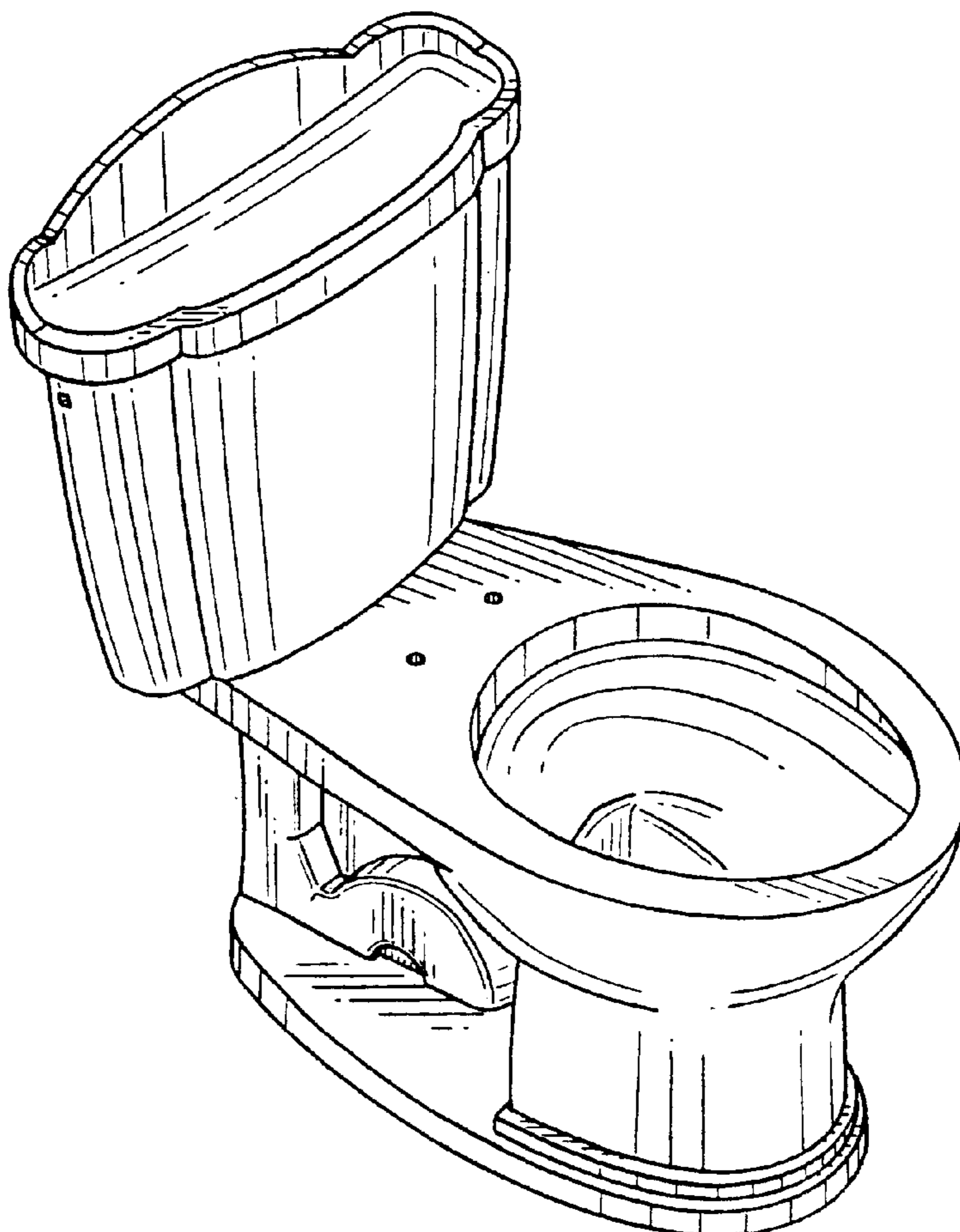


FIG. 1

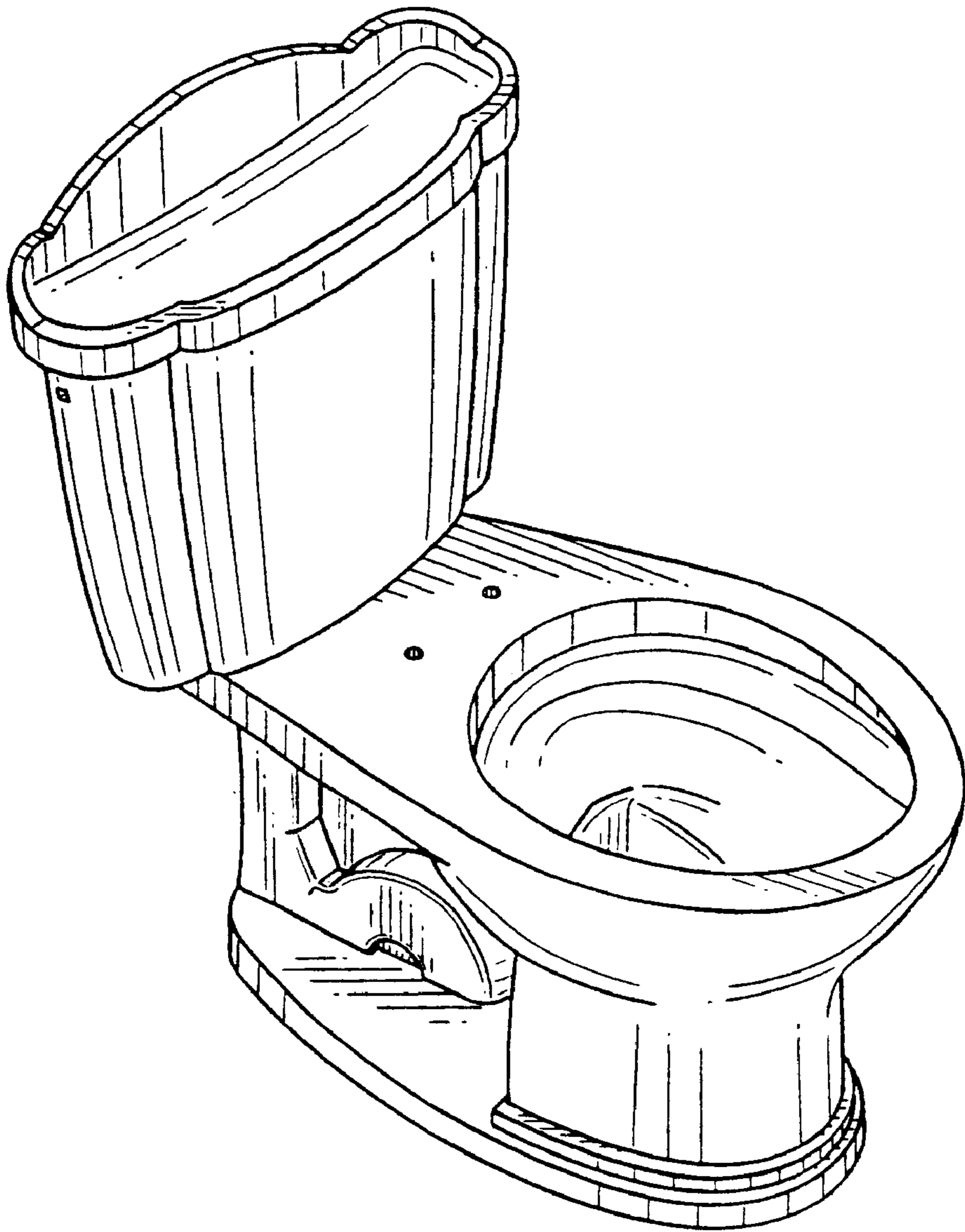


FIG. 3

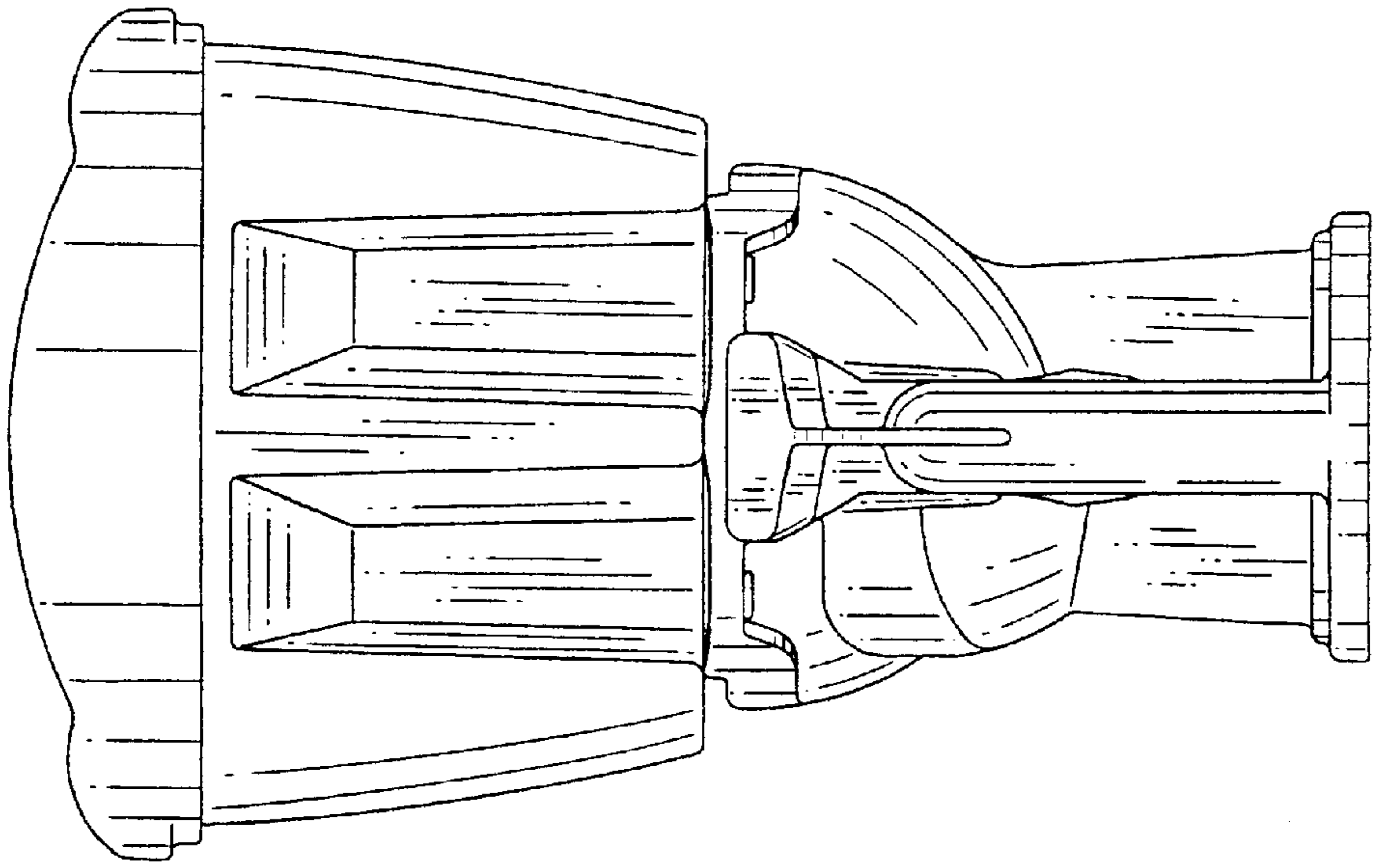


FIG. 2

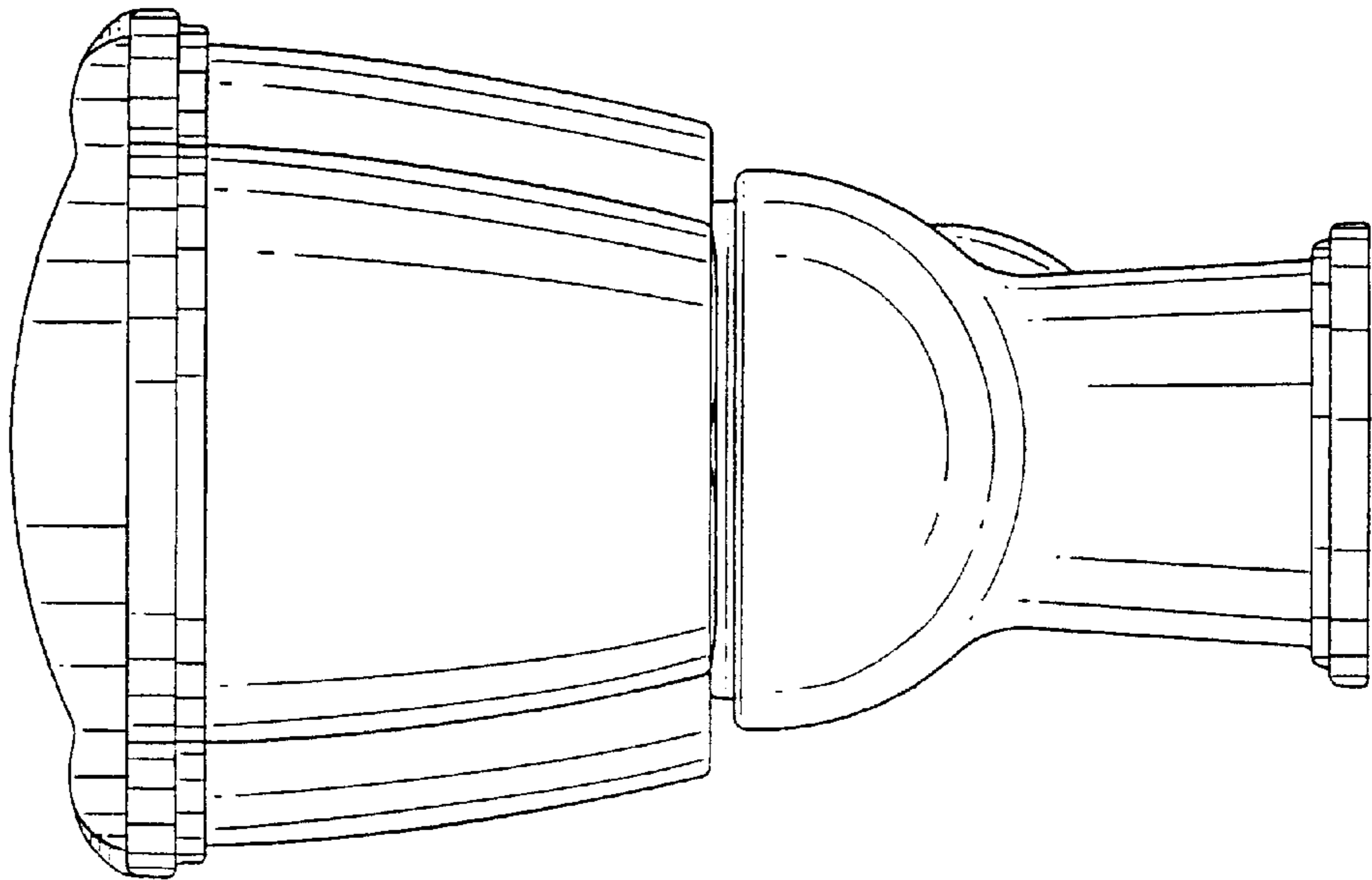


FIG. 4

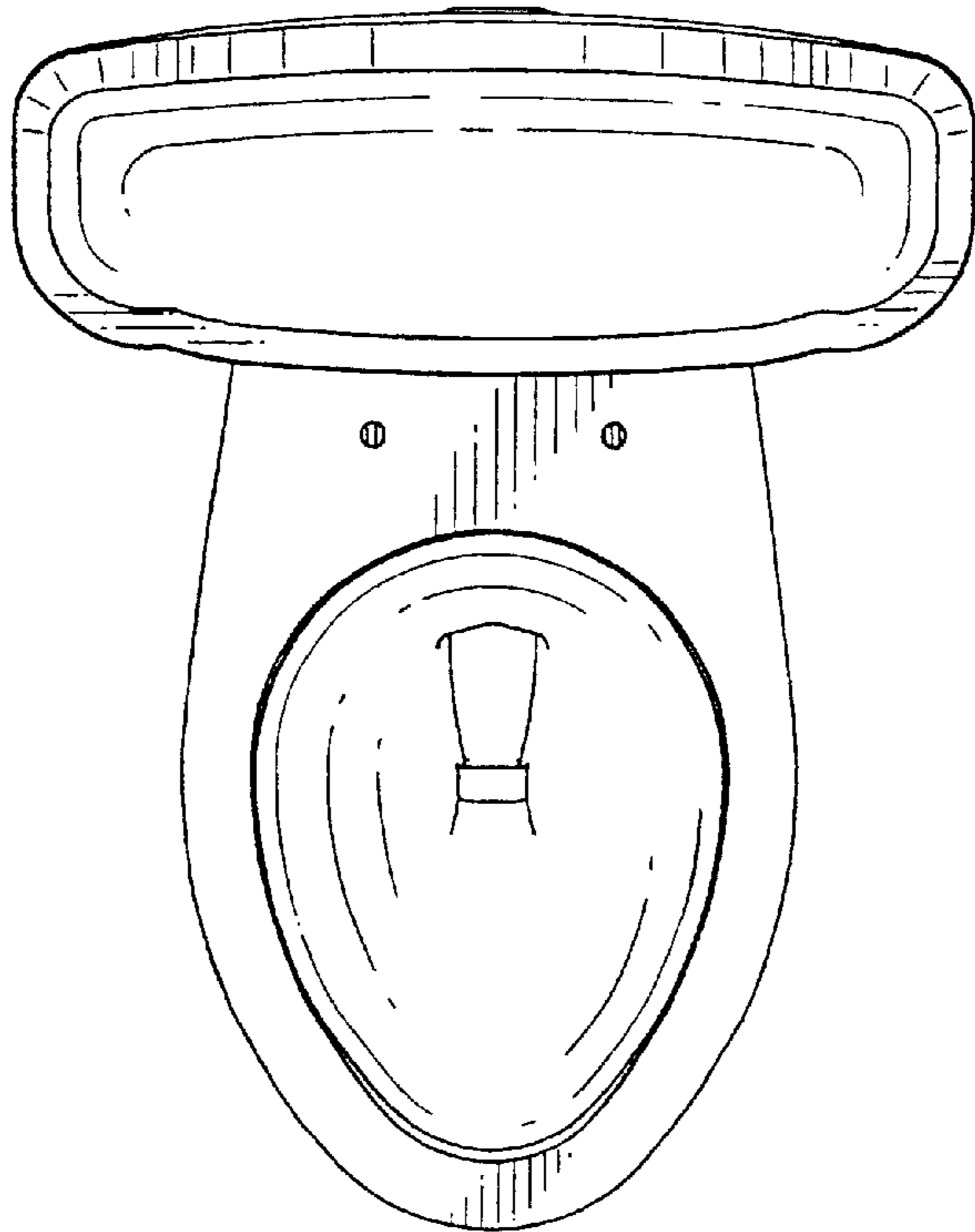


FIG. 5

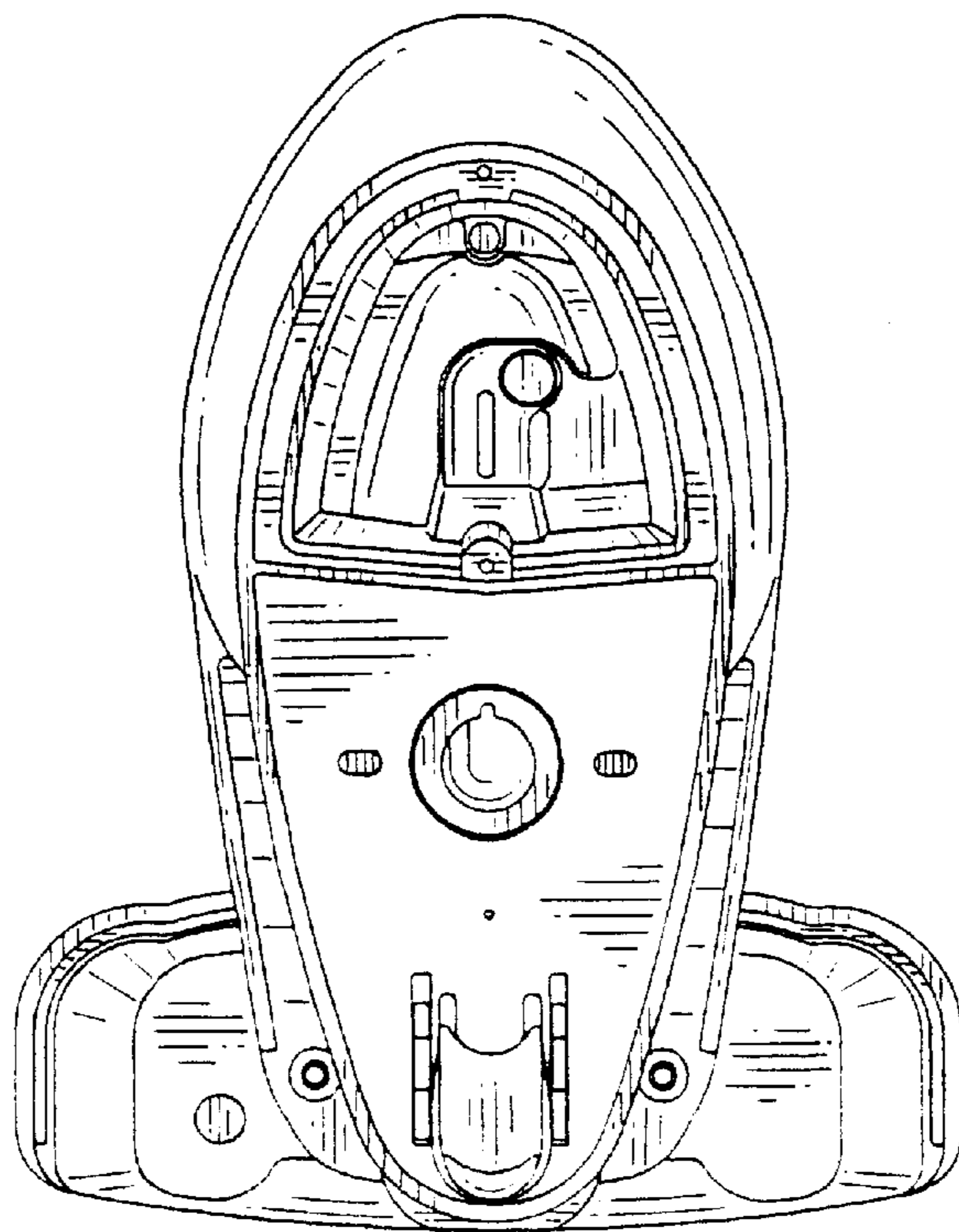


FIG. 7

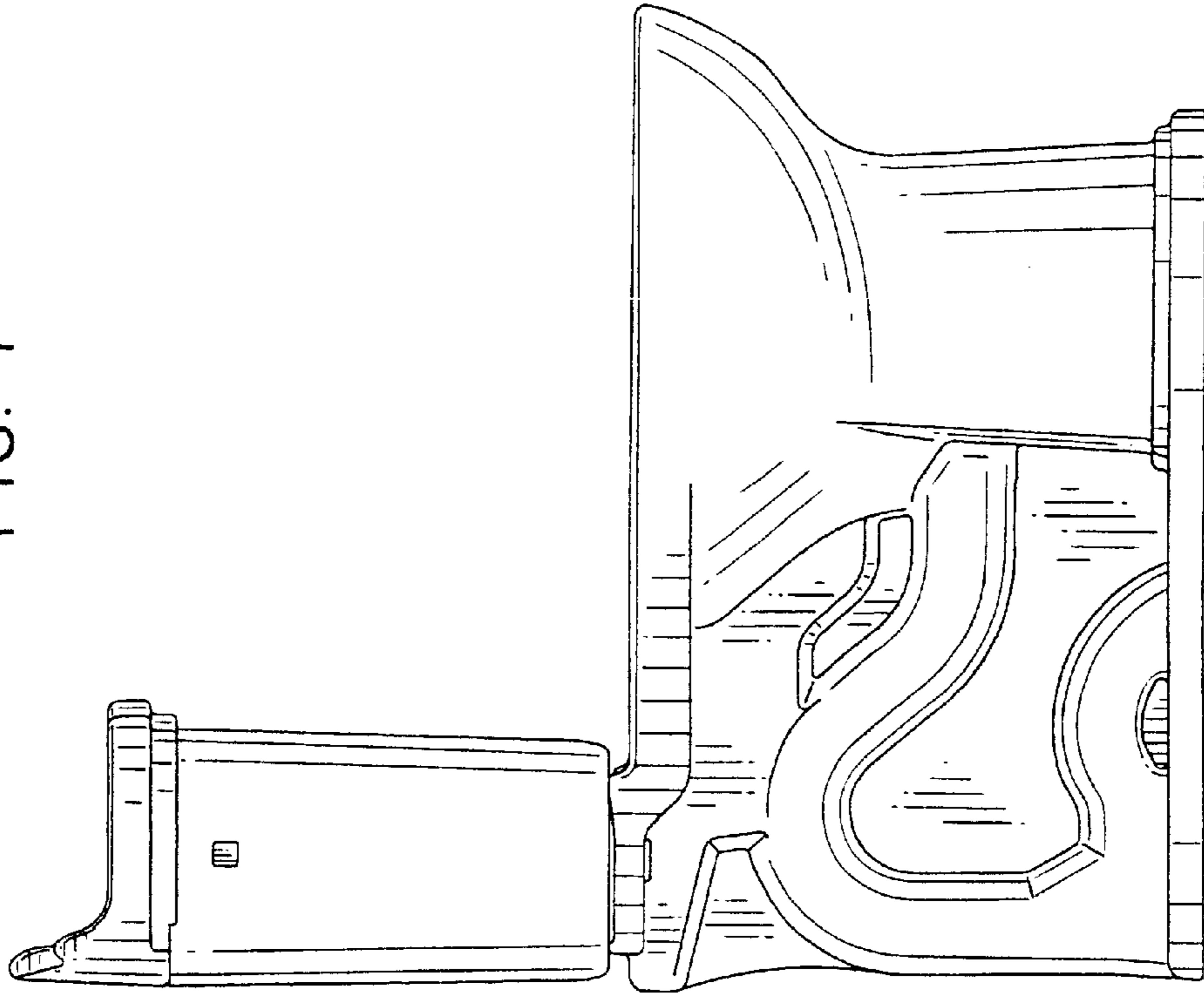


FIG. 6

