



US00D478375S

(12) **United States Design Patent**  
**Hundley**

(10) **Patent No.:** **US D478,375 S**

(45) **Date of Patent:** **\*\* Aug. 12, 2003**

(54) **SPOUT**

(75) Inventor: **Jill E. Hundley**, Sheboygan, WI (US)

(73) Assignee: **Kohler Co.**, Kohler, WI (US)

(\*\*) Term: **14 Years**

(21) Appl. No.: **29/158,577**

(22) Filed: **Apr. 4, 2002**

(51) **LOC (7) Cl.** ..... **23-01**

(52) **U.S. Cl.** ..... **D23/255; D23/238; D23/257**

(58) **Field of Search** ..... **D23/238-243,**  
**D23/250-257; 4/675-678; 137/801**

(56) **References Cited**

**U.S. PATENT DOCUMENTS**

D322,658 S	12/1991	Kohler, Jr. et al.	.....	D23/255
D326,505 S	* 5/1992	Kohler, Jr. et al.	.....	D23/255
D461,538 S	* 8/2002	Gottwald	.....	D23/255
D465,270 S	* 11/2002	Gottwald	.....	D23/257

**FOREIGN PATENT DOCUMENTS**

WO DM/057693 11/2001

**OTHER PUBLICATIONS**

Undated Harden catalog ad showing a Model 57-01-9-0B-B spout.

Undated Barclay catalog ad showing a lavatory spout.

\* cited by examiner

*Primary Examiner*—Louis S. Zarfaz

*Assistant Examiner*—Gregory Andoll

(74) *Attorney, Agent, or Firm*—Quarles & Brady LLP

(57) **CLAIM**

The ornamental design for a spout, as shown and described.

**DESCRIPTION**

In a preferred embodiment, the nature of this product is as a spout for a plumbing fixture in the form of a faucet which is primarily useful for washing various objects.

FIG. 1 is a left, top, front perspective view of a spout embodying my new design;

FIG. 2 is a left side elevational view thereof, the right side elevational view being a mirror image of the left side shown;

FIG. 3 is a front elevational view thereof;

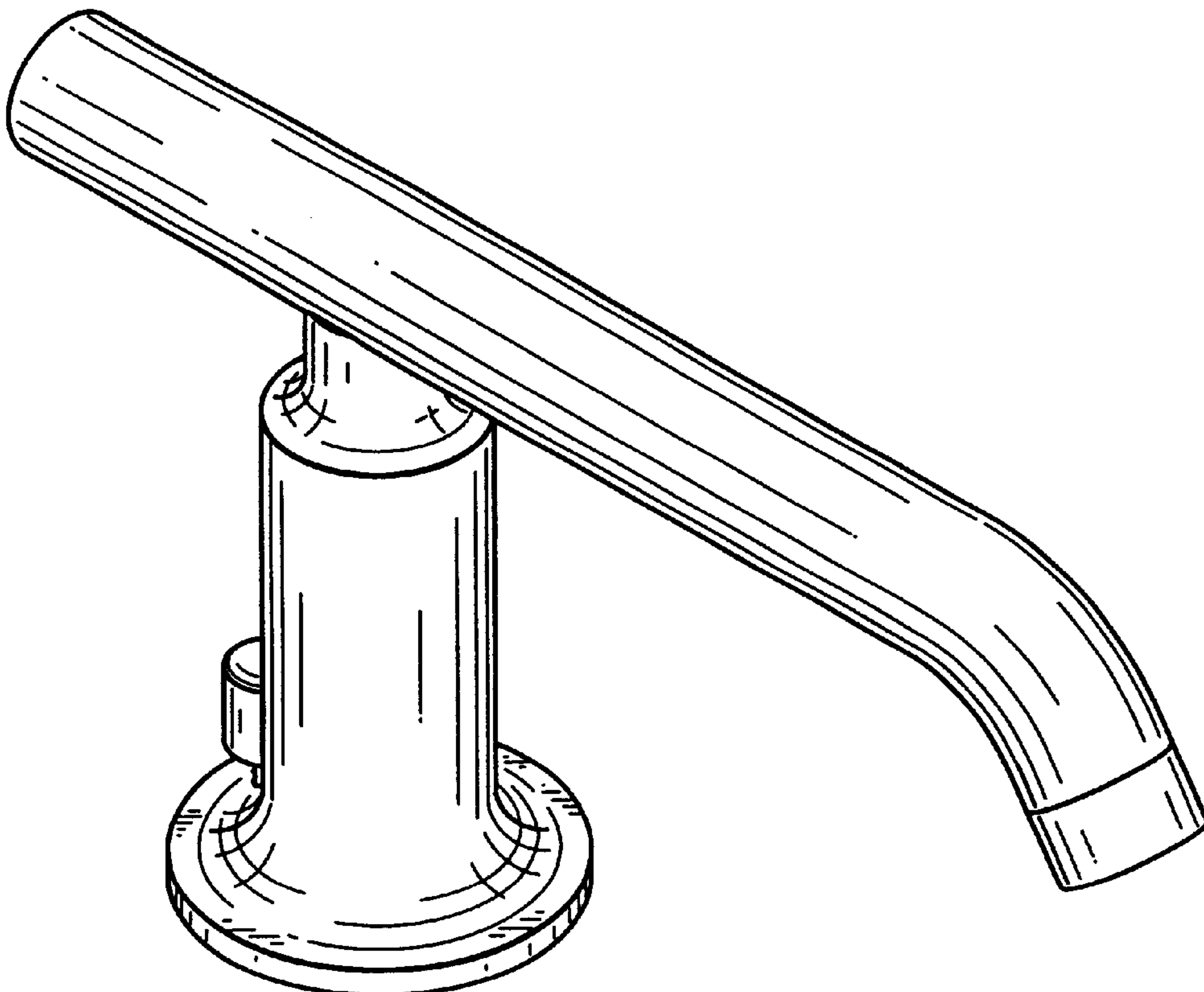
FIG. 4 is a rear elevational view thereof;

FIG. 5 is a top plan view thereof; and,

FIG. 6 is a bottom plan view thereof.

The broken line representation of mounting structure in FIG. 6 is for the purpose of illustration only, and forms no part of the claimed design.

**1 Claim, 2 Drawing Sheets**



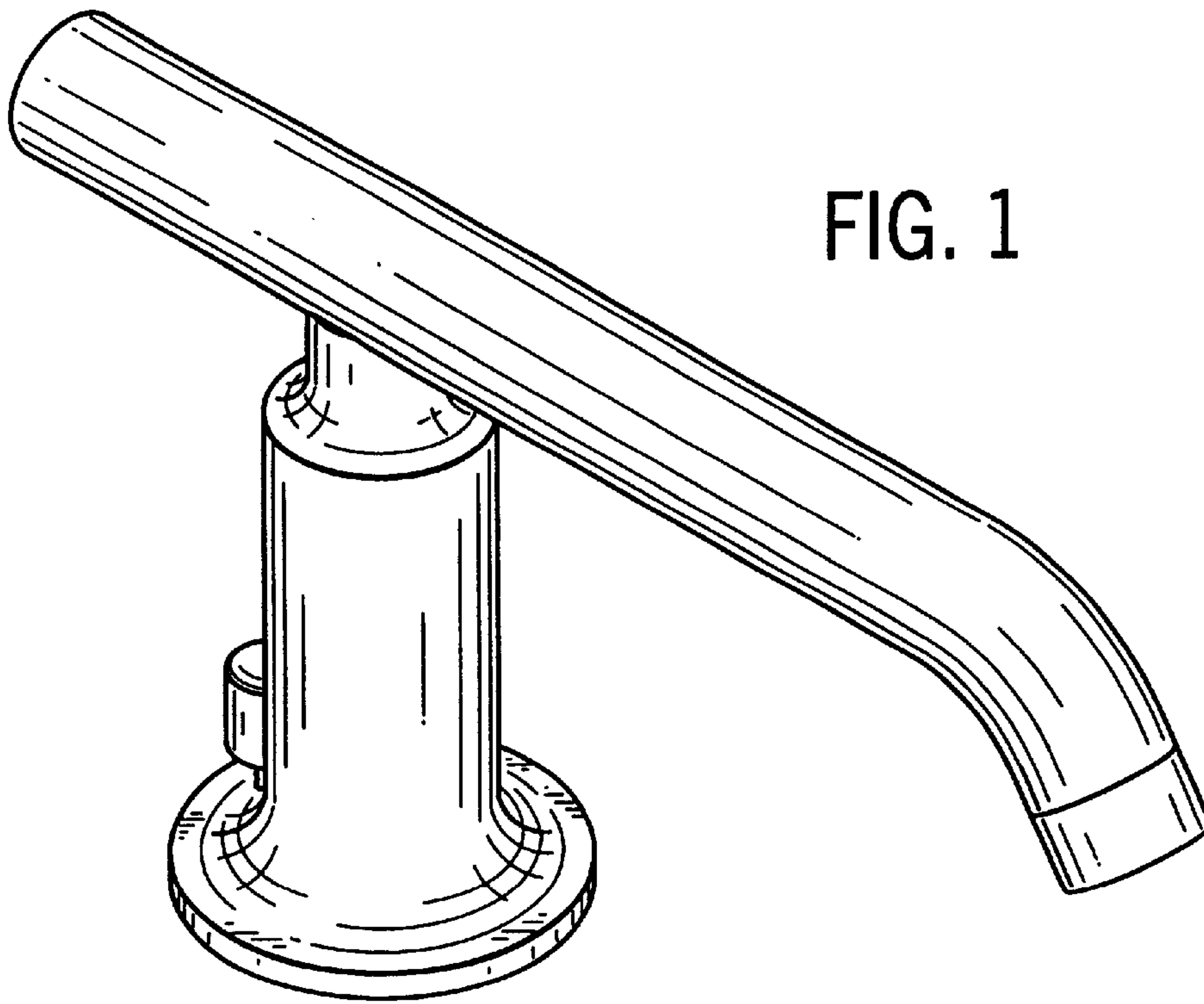
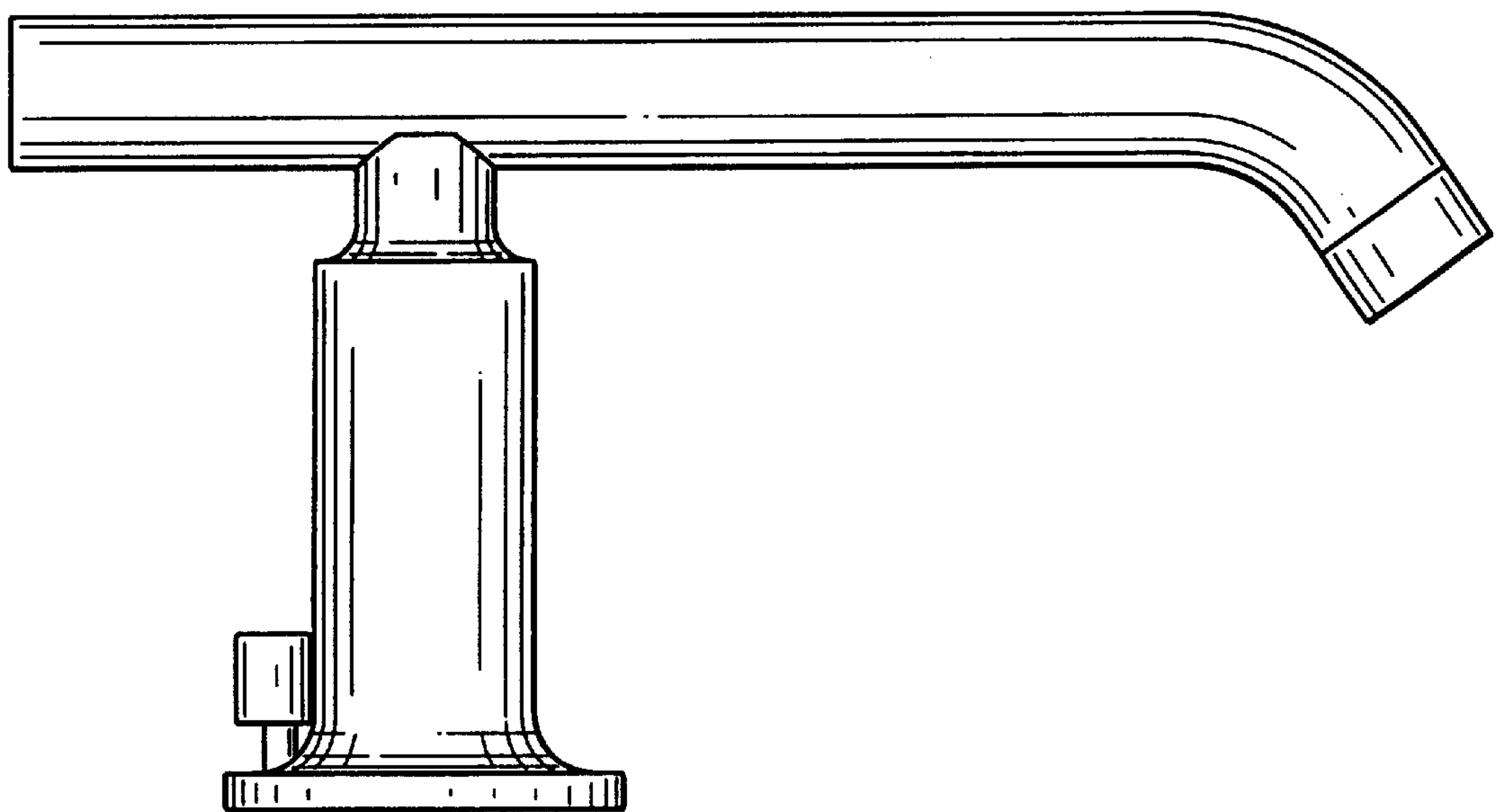


FIG. 1

FIG. 2



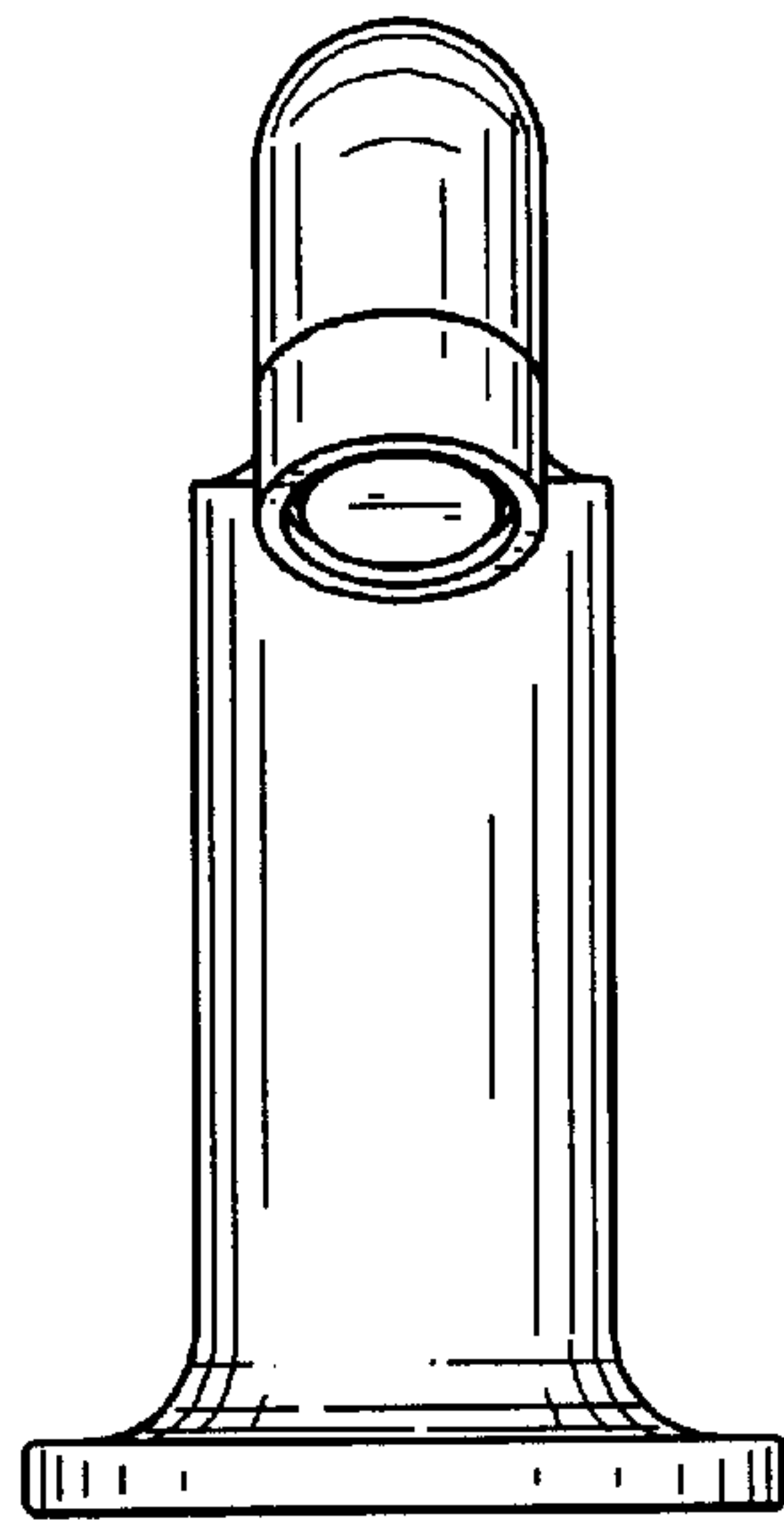


FIG. 3

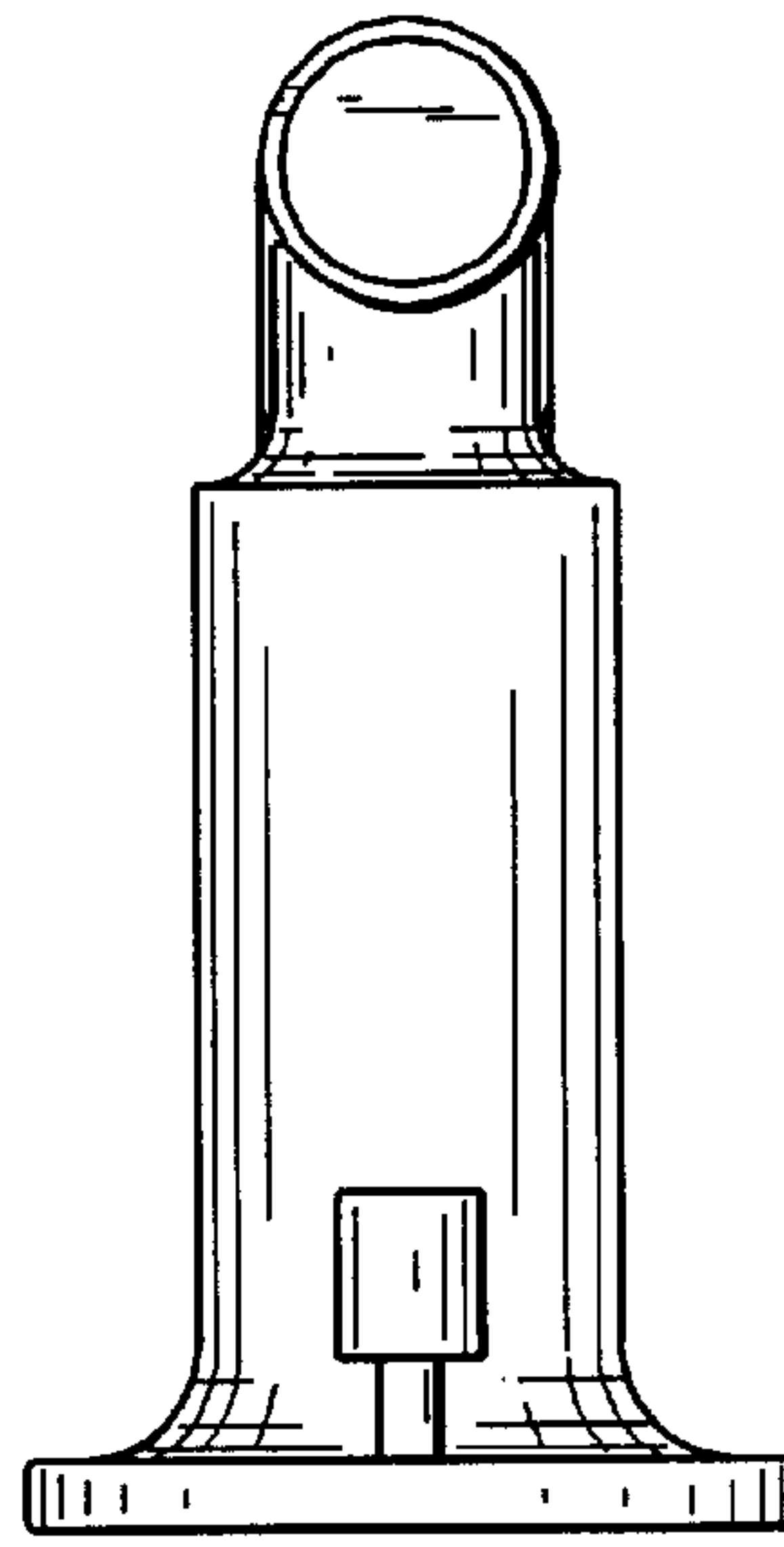


FIG. 4

FIG. 5

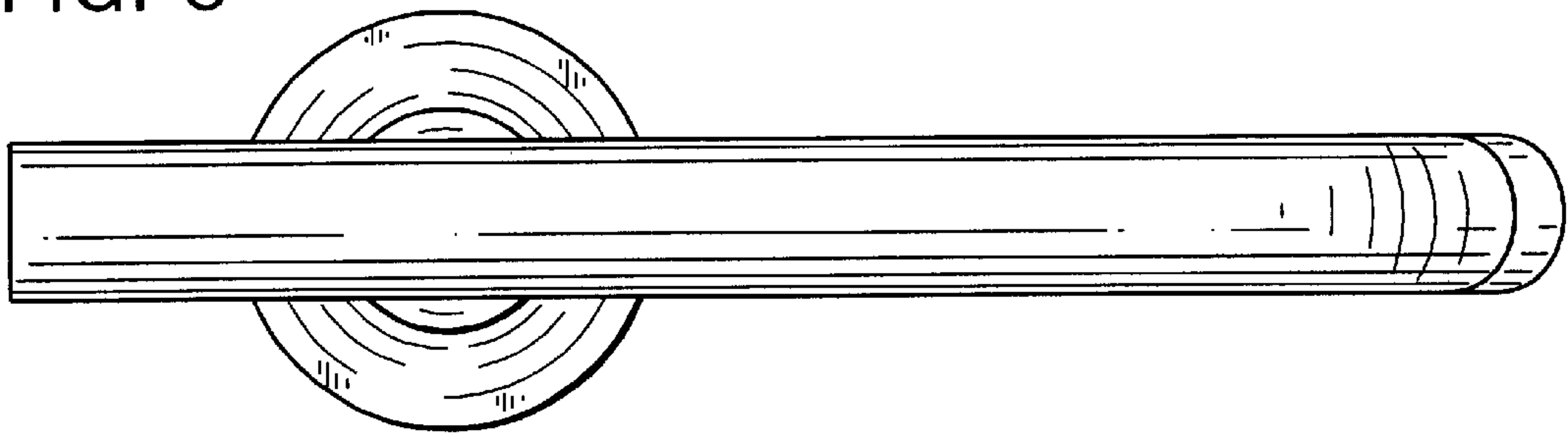


FIG. 6

