



US00D478374S

(12) **United States Design Patent**
Smith

(10) **Patent No.:** **US D478,374 S**

(45) **Date of Patent:** **** Aug. 12, 2003**

(54) **HANDLE**

(75) Inventor: **Michael S. Smith**, Santa Monica, CA (US)

(73) Assignee: **Kallista, Inc.**, Kohler, WI (US)

(**) Term: **14 Years**

(21) Appl. No.: **29/158,315**

(22) Filed: **Apr. 3, 2002**

(51) **LOC (7) Cl.** **23-01**

(52) **U.S. Cl.** **D23/250**

(58) **Field of Search** D23/238-243,
D23/245, 250-257; D8/300-322, 350-353,
DIG. 3; 16/110.1; 4/675-678; 137/801

(56) **References Cited**

U.S. PATENT DOCUMENTS

D76,904 S	*	11/1928	Smith	D23/250
D203,324 S	*	12/1965	Landell	D23/241
D325,425 S	*	4/1992	Bengston	D23/250

OTHER PUBLICATIONS

2000 Kohler catalog ad, p. 2.42, showing a "Memoirs Classic" cross handle.

Undated Performa catalog ad showing a cross handle.

1999 Kallista catalog ad, p. 59, showing a "Hampstead" hex cross handle.

Undated Harden catalog ad, p. 13, showing a "Series 16" hexagonal escutcheon base.

* cited by examiner

Primary Examiner—Louis S. Zarfaz

Assistant Examiner—Gregory Andoll

(74) *Attorney, Agent, or Firm*—Quarles & Brady LLP

(57) **CLAIM**

The ornamental design for a handle, as shown and described.

DESCRIPTION

FIG. 1 is a left, top, front perspective view of a handle embodying my new design;

FIG. 2 is a top plan view thereof;

FIG. 3 is a front elevational view thereof, the rear elevational view being identical to the front elevational view shown;

FIG. 4 is a left side elevational view thereof, the right side elevational view being identical to the left side elevational view shown; and,

FIG. 5 is a bottom plan view thereof.

The broken line representations of an escutcheon base in FIGS. 1-4, and of mounting structure in FIG. 5, are for the purpose of illustration only, and form no part of the claimed design.

1 Claim, 2 Drawing Sheets

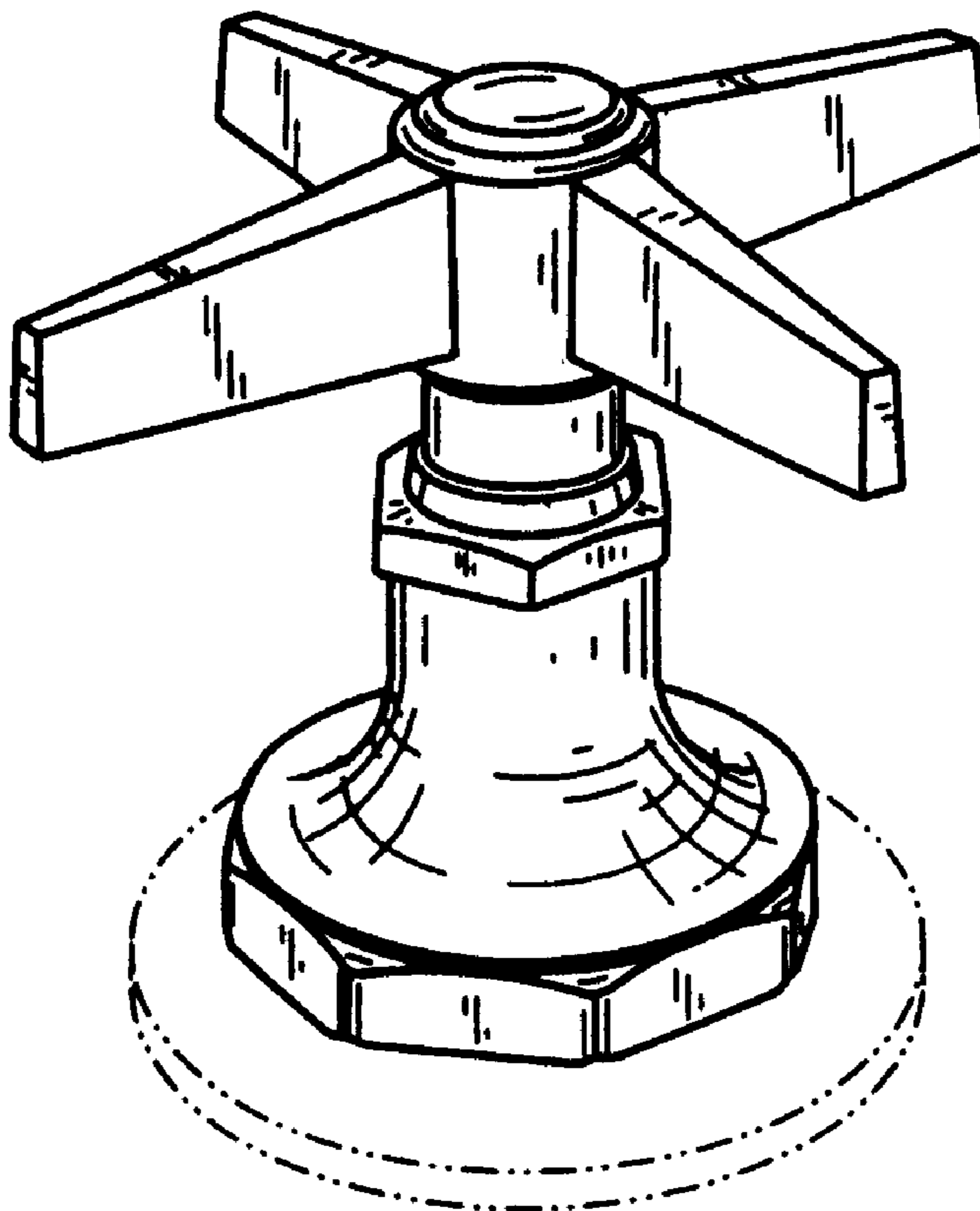


FIG. 1

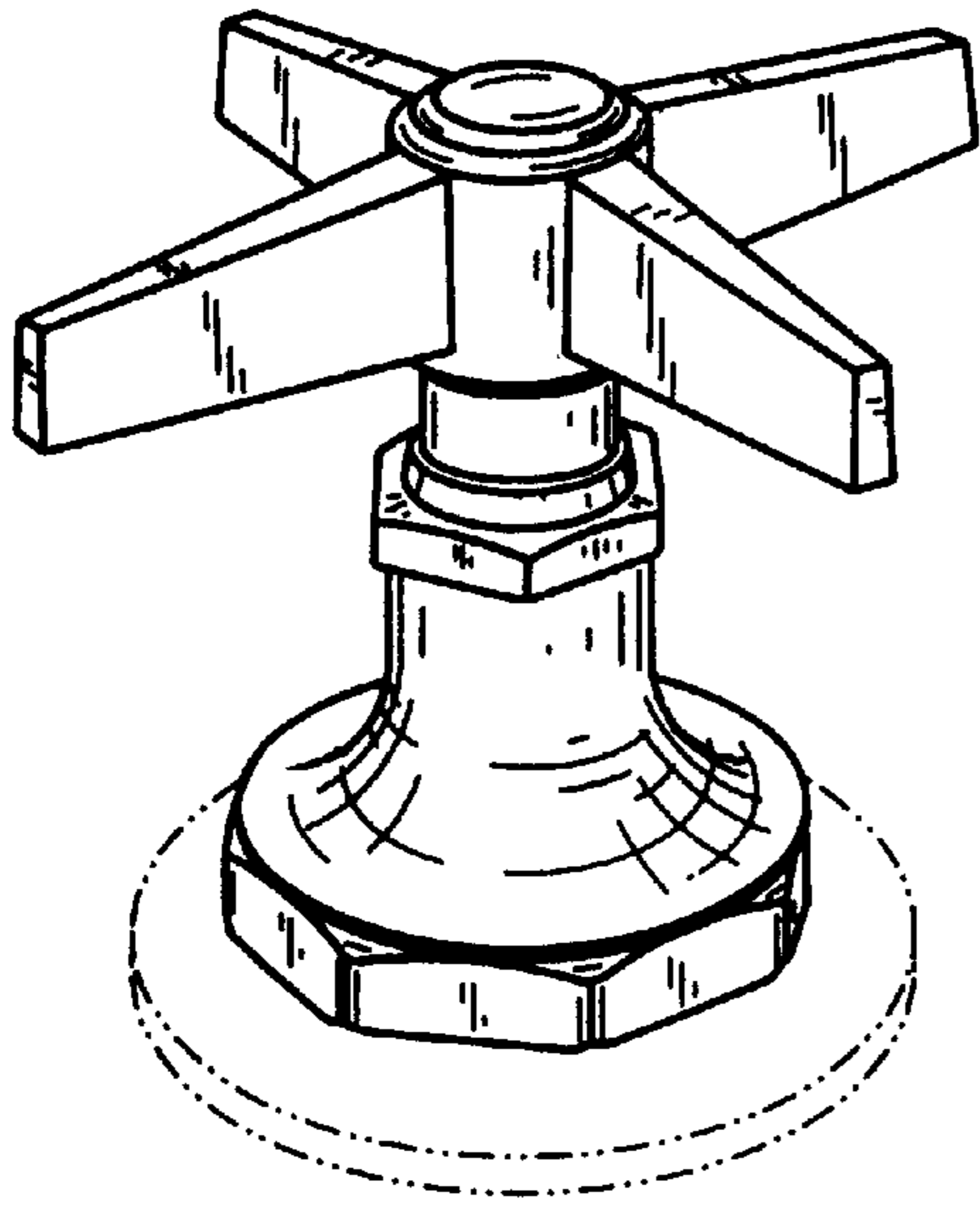


FIG. 2

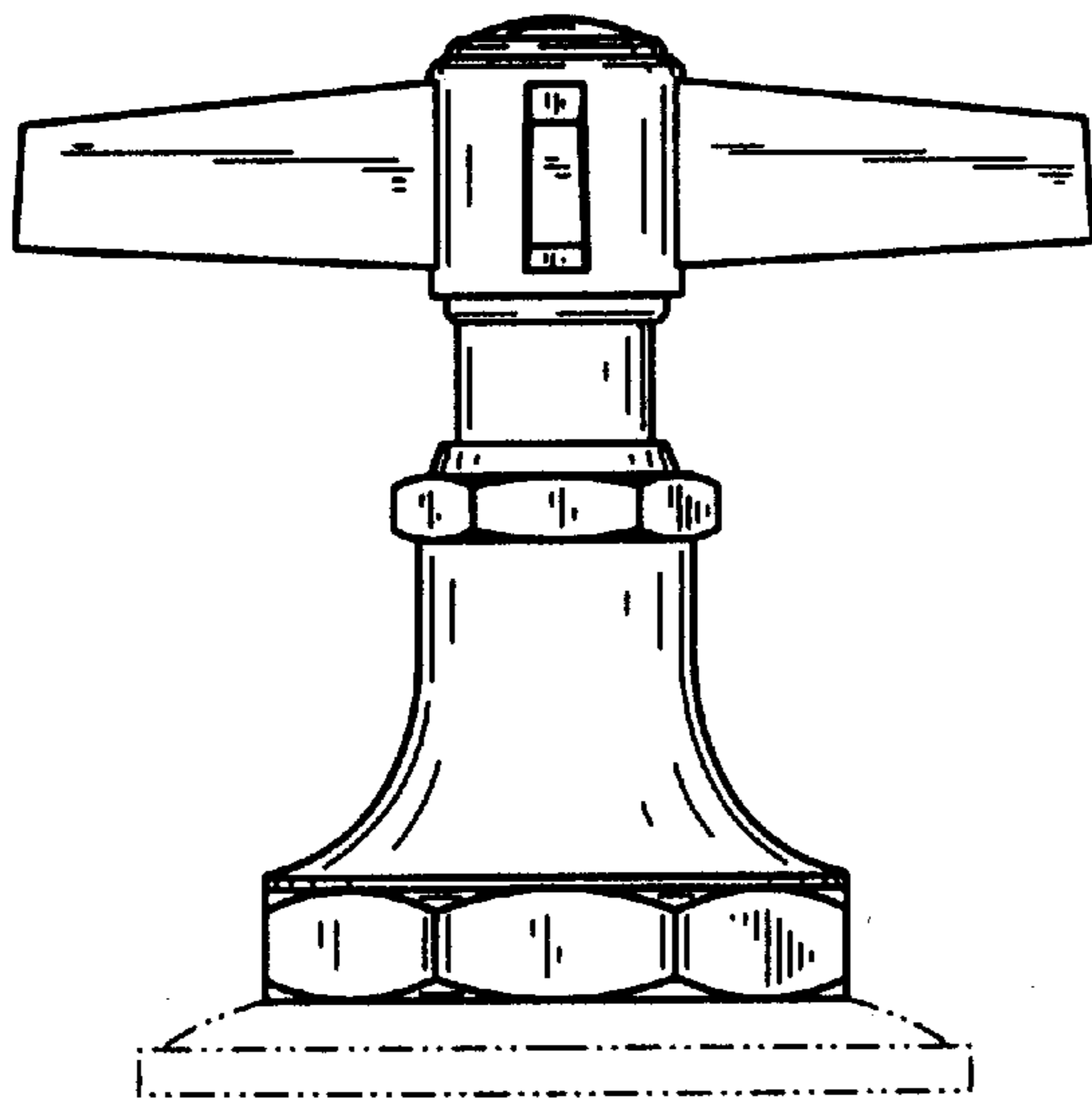
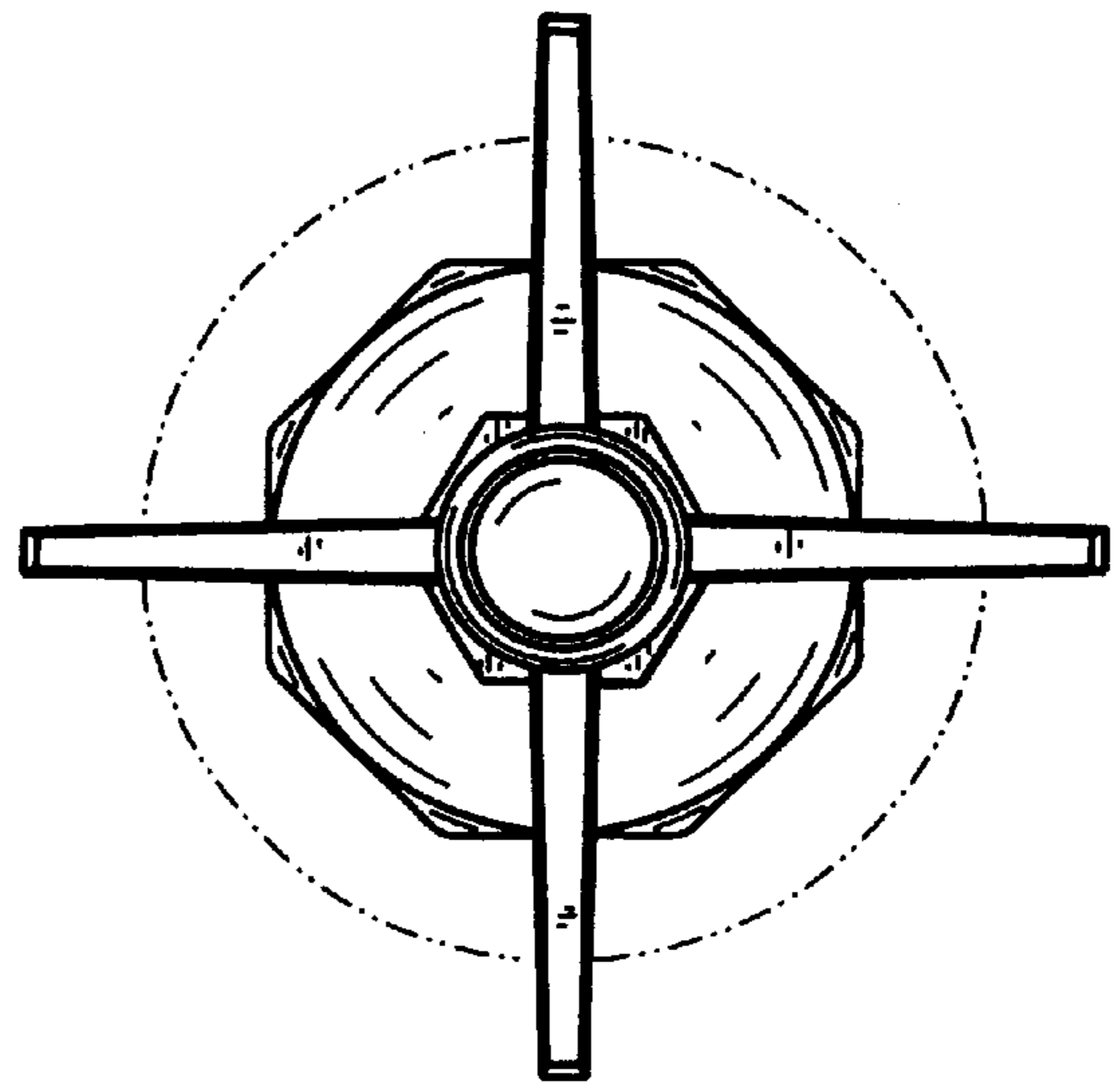


FIG. 3

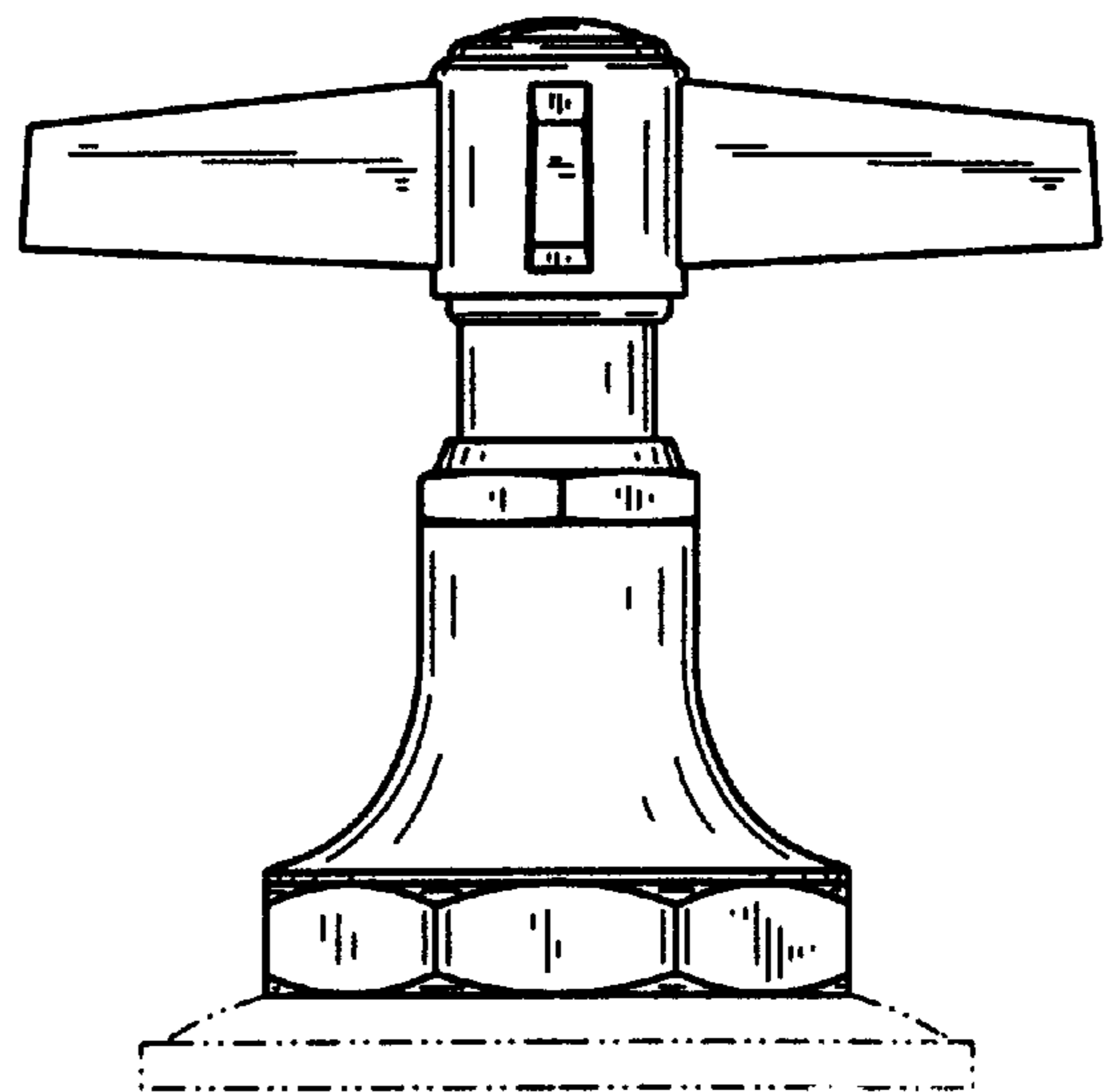


FIG. 4

FIG. 5

