



US00D478372S

(12) **United States Design Patent**
Ouyoung

(10) **Patent No.:** **US D478,372 S**

(45) **Date of Patent:** **** Aug. 12, 2003**

(54) **FAUCET BODY**

D460,524 S * 7/2002 Green et al. D23/241
D461,528 S * 8/2002 Chang D23/528

(75) Inventor: **Scott Ouyoung**, Taichung (TW)

* cited by examiner

(73) Assignee: **Globe Union Industrial Corp.**,
Taichung (TW)

Primary Examiner—Louis S. Zarfes

Assistant Examiner—Gregory Andoll

(**) Term: **14 Years**

(74) *Attorney, Agent, or Firm*—Leong C. Lei

(21) Appl. No.: **29/176,092**

(57) **CLAIM**

(22) Filed: **Feb. 19, 2003**

The ornamental design for a faucet body, as shown and described.

(51) **LOC (7) Cl.** **23-01**

DESCRIPTION

(52) **U.S. Cl.** **D23/238**

(58) **Field of Search** D23/238–243,
D23/250–257; 4/675–678; 137/801

FIG. 1 is perspective view of a faucet body showing my new design;

FIG. 2 is a front side elevation view thereof;

FIG. 3 is a left side elevation view thereof;

FIG. 4 is a right side elevation view thereof;

FIG. 5 is a rear side elevation view thereof;

FIG. 6 is a top plan view thereof; and,

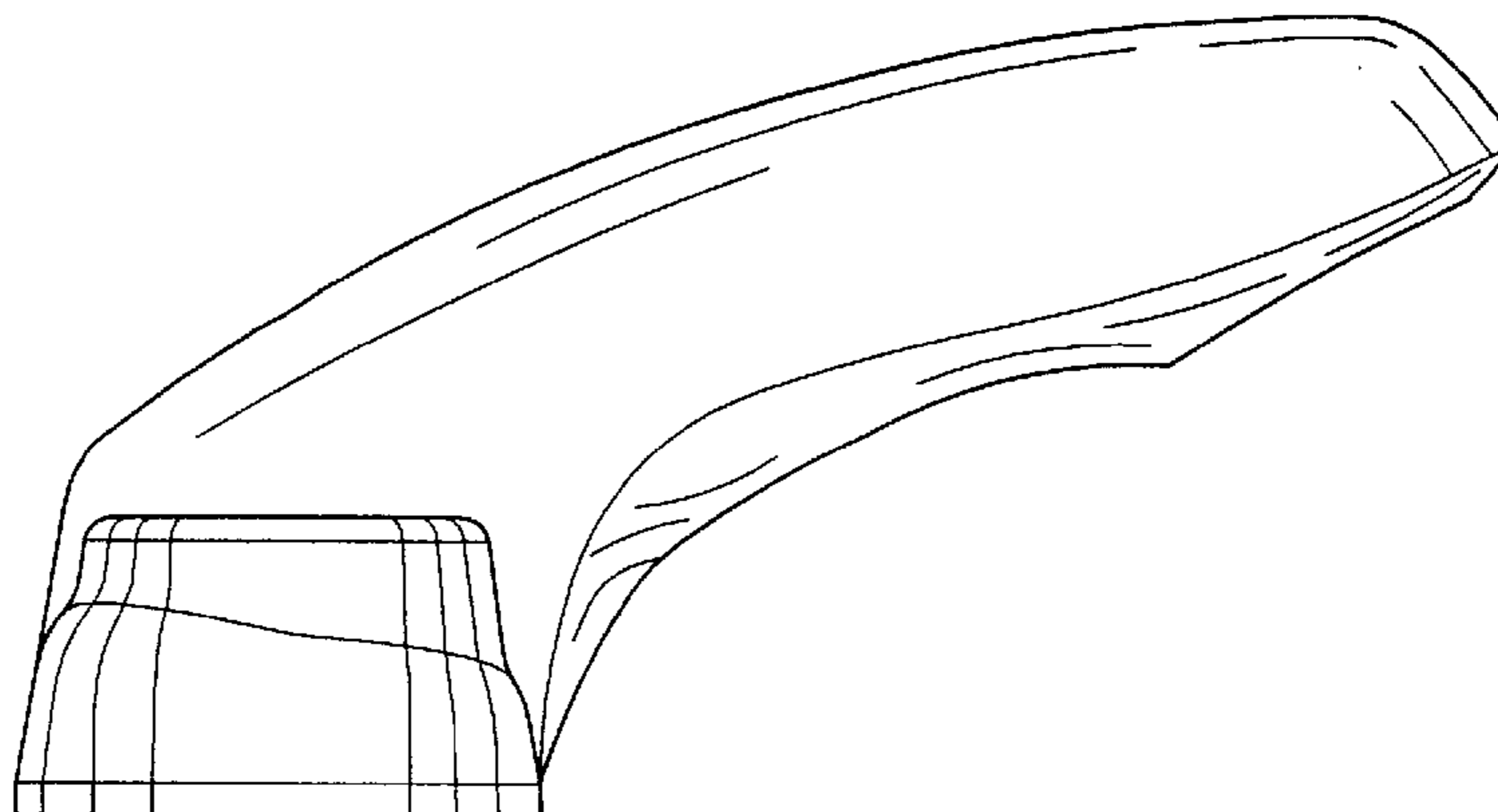
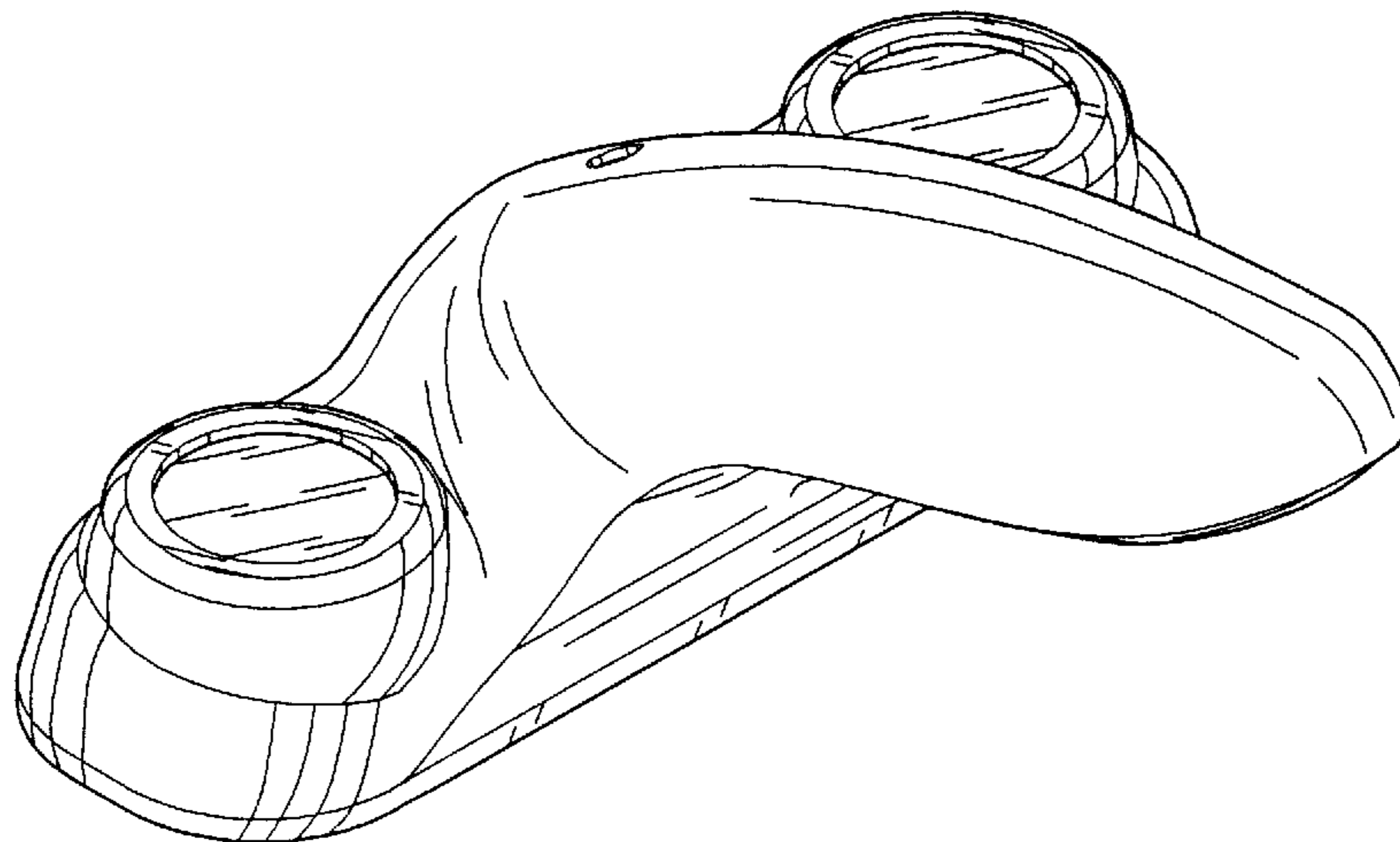
FIG. 7 is a bottom plan view thereof.

(56) **References Cited**

U.S. PATENT DOCUMENTS

D427,288 S * 6/2000 Ko D23/241
D448,452 S * 9/2001 Pitsch et al. D23/238
D457,940 S * 5/2002 Kolada et al. D23/241

1 Claim, 4 Drawing Sheets



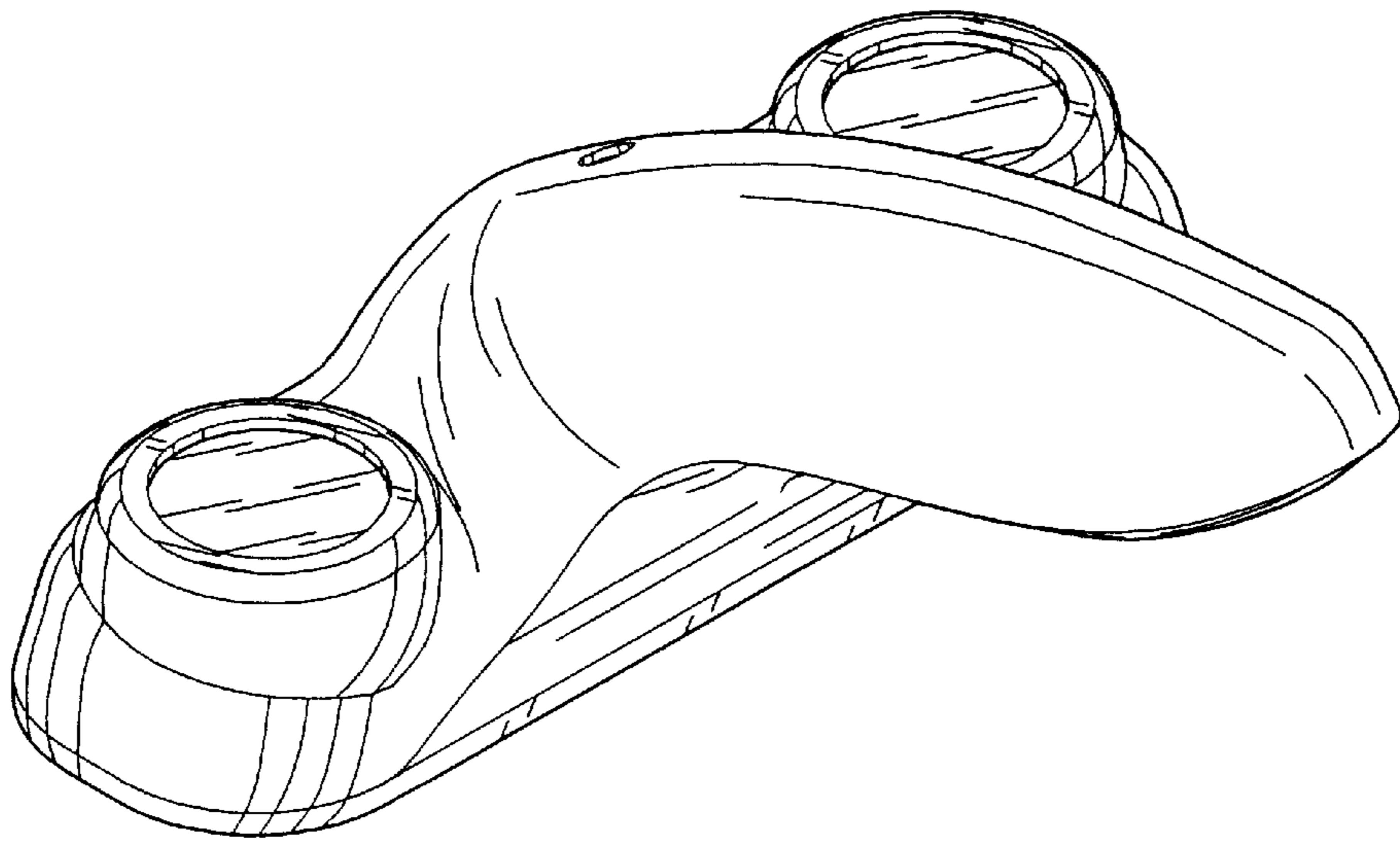


FIG. 1

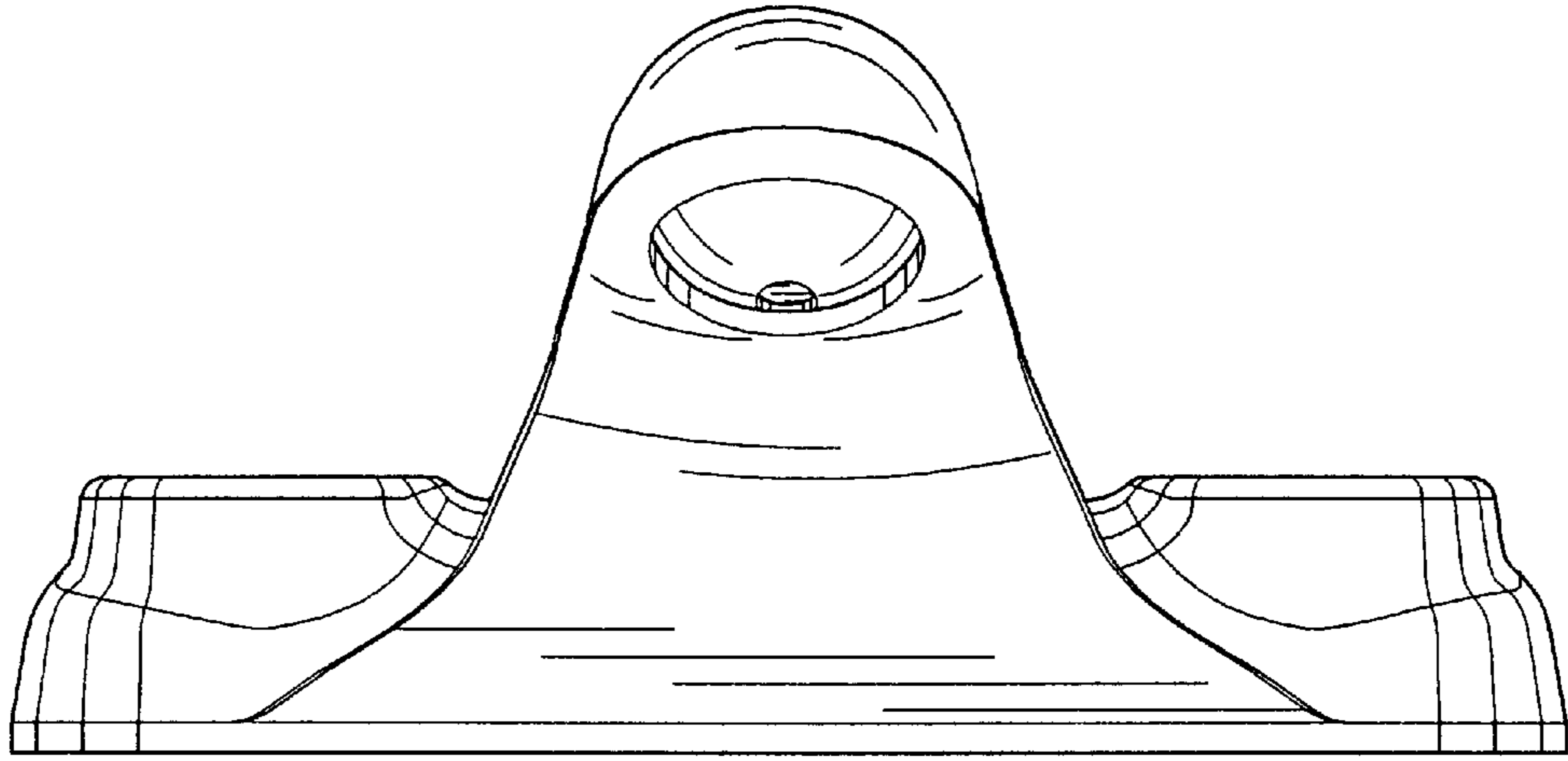


FIG. 2

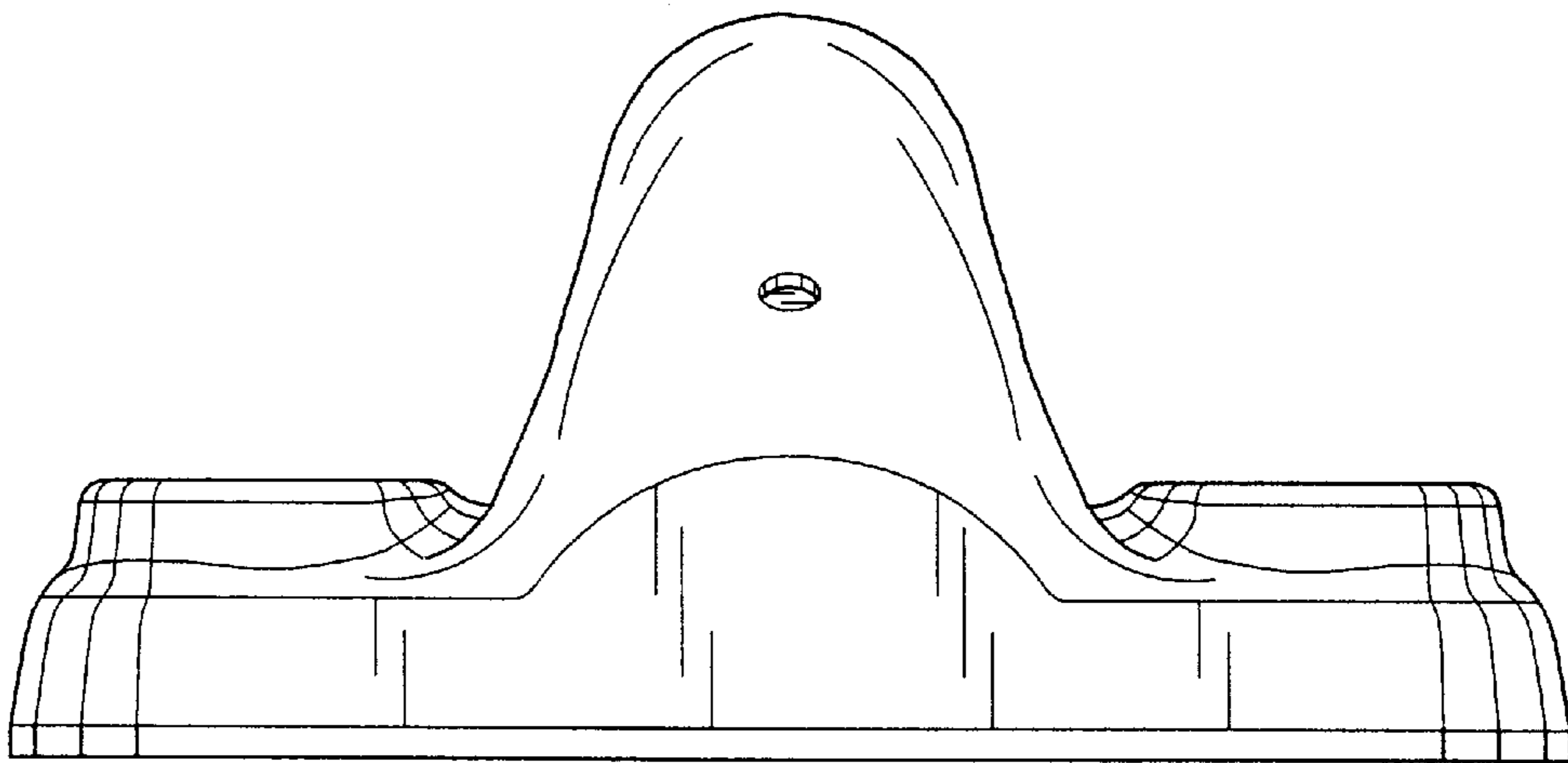


FIG. 5

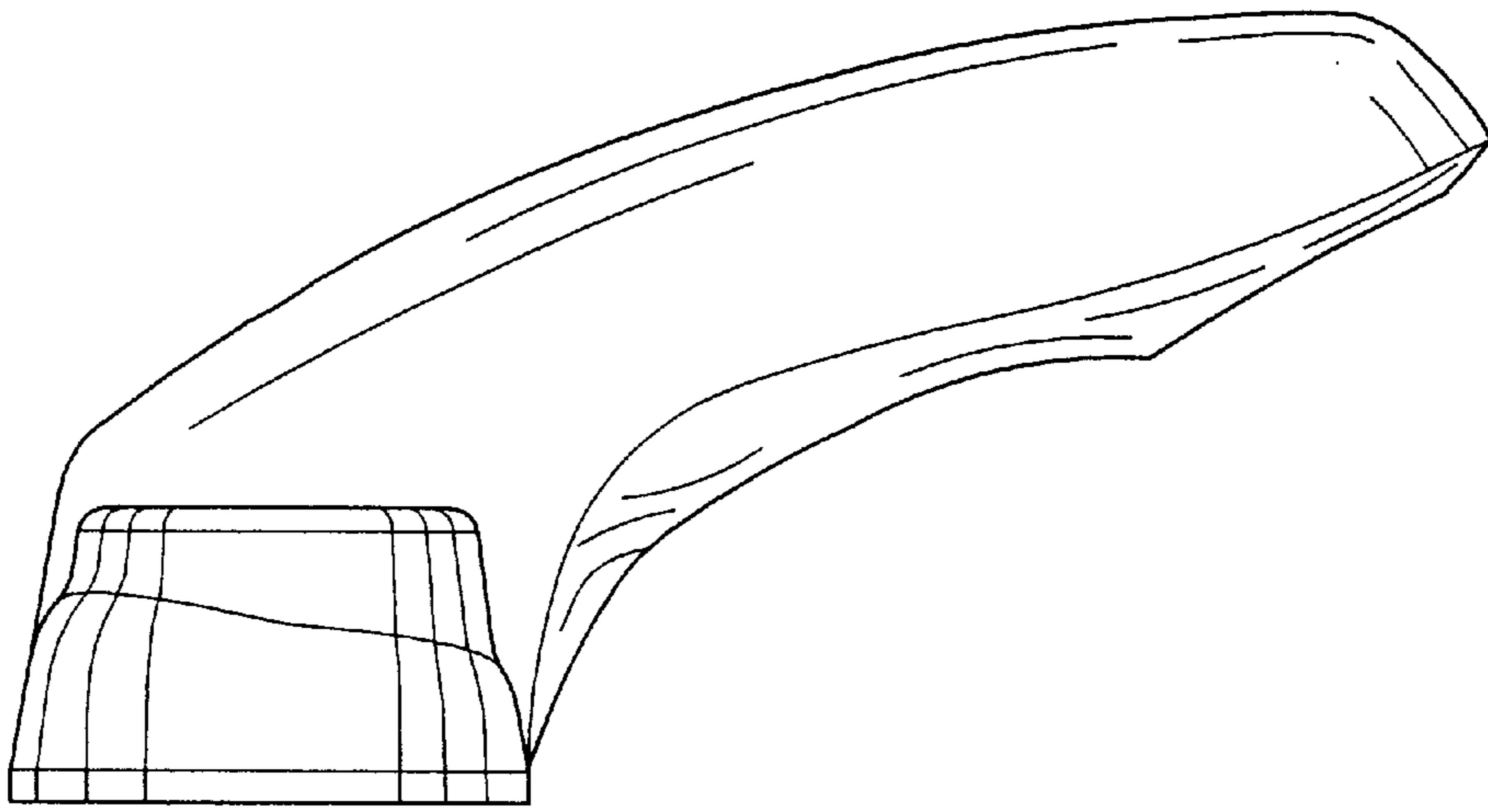


FIG. 3

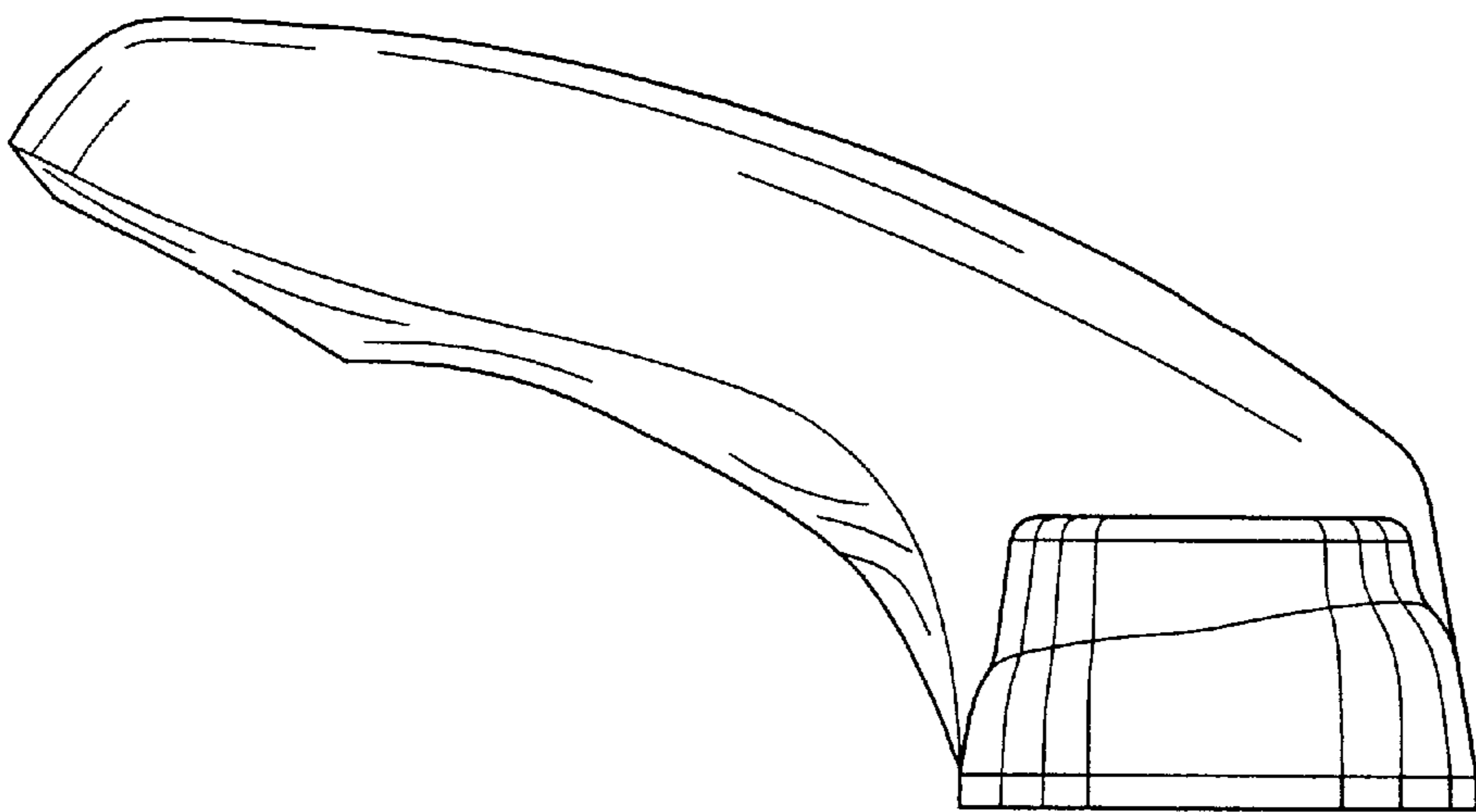


FIG. 4

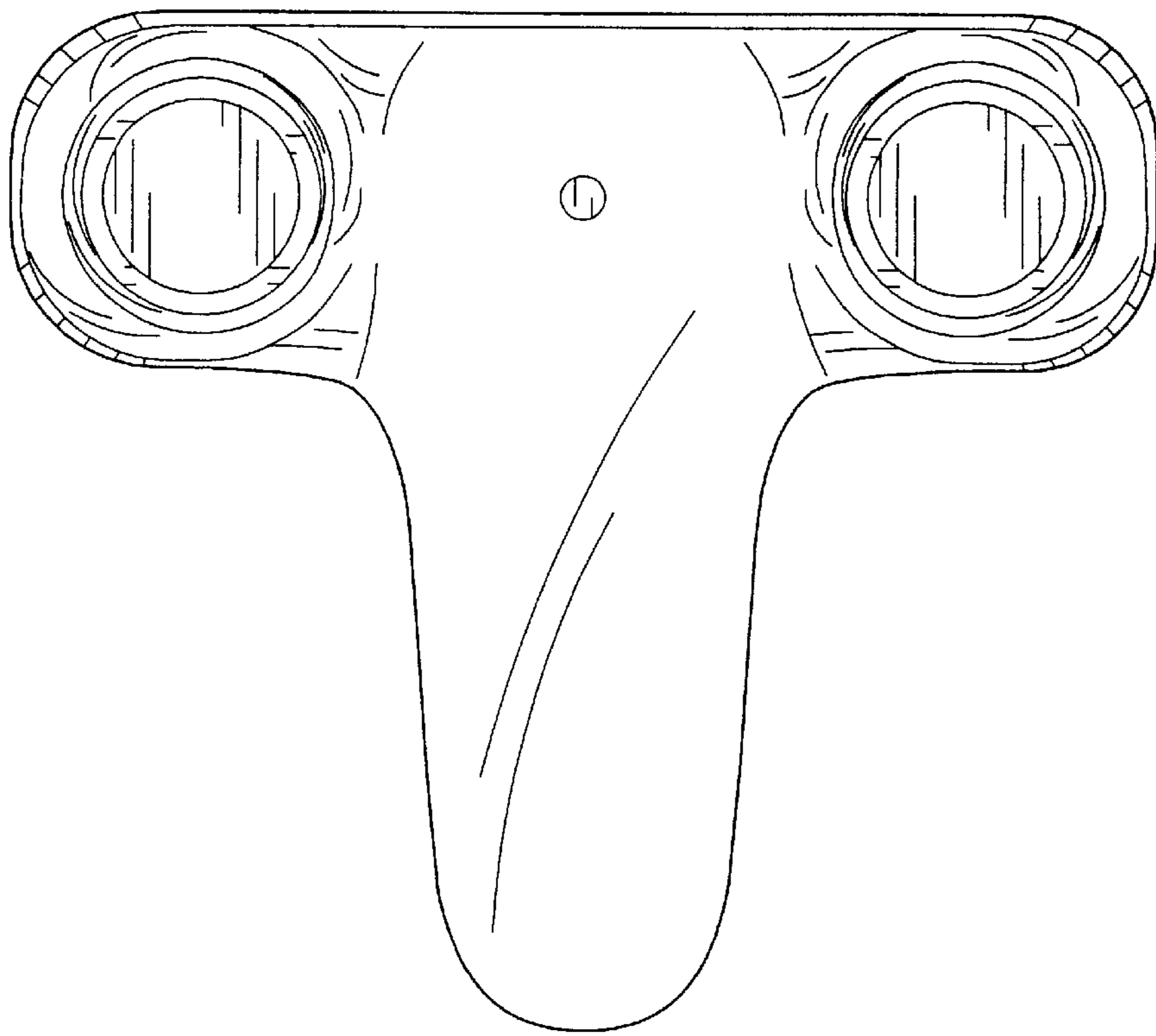


FIG. 6

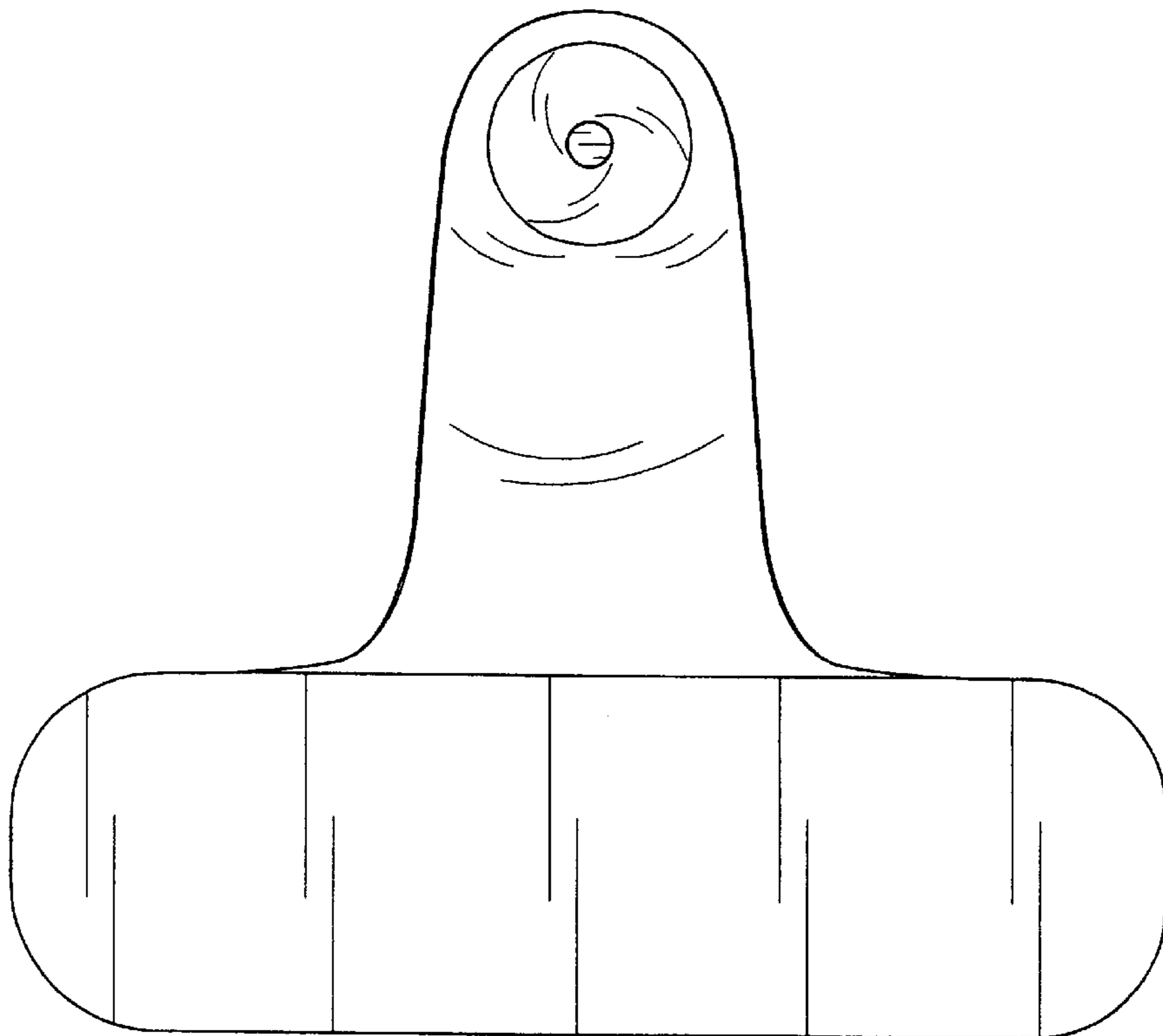


FIG. 7