



US00D478371S

(12) **United States Design Patent**  
**Ouyoung**

(10) **Patent No.:** **US D478,371 S**

(45) **Date of Patent:** **\*\* Aug. 12, 2003**

(54) **FAUCET**

D465,265 S \* 11/2002 Czerwinski, Jr. et al. .. D23/238

(75) Inventor: **Scott Ouyoung**, Taichung (TW)

\* cited by examiner

(73) Assignee: **Globe Union Industrial Corp.**,  
Taichung (TW)

*Primary Examiner*—Louis S. Zarfaz  
*Assistant Examiner*—Gregory Andoll  
(74) *Attorney, Agent, or Firm*—Leong C. Lei

(\*\*) Term: **14 Years**

(57) **CLAIM**

(21) Appl. No.: **29/174,798**

The ornamental design for a faucet, as shown and described.

(22) Filed: **Jan. 27, 2003**

**DESCRIPTION**

(51) **LOC (7) Cl.** ..... **23-01**

(52) **U.S. Cl.** ..... **D23/238**

(58) **Field of Search** ..... D23/238–243,  
D23/250–257; 4/675–678; 137/801

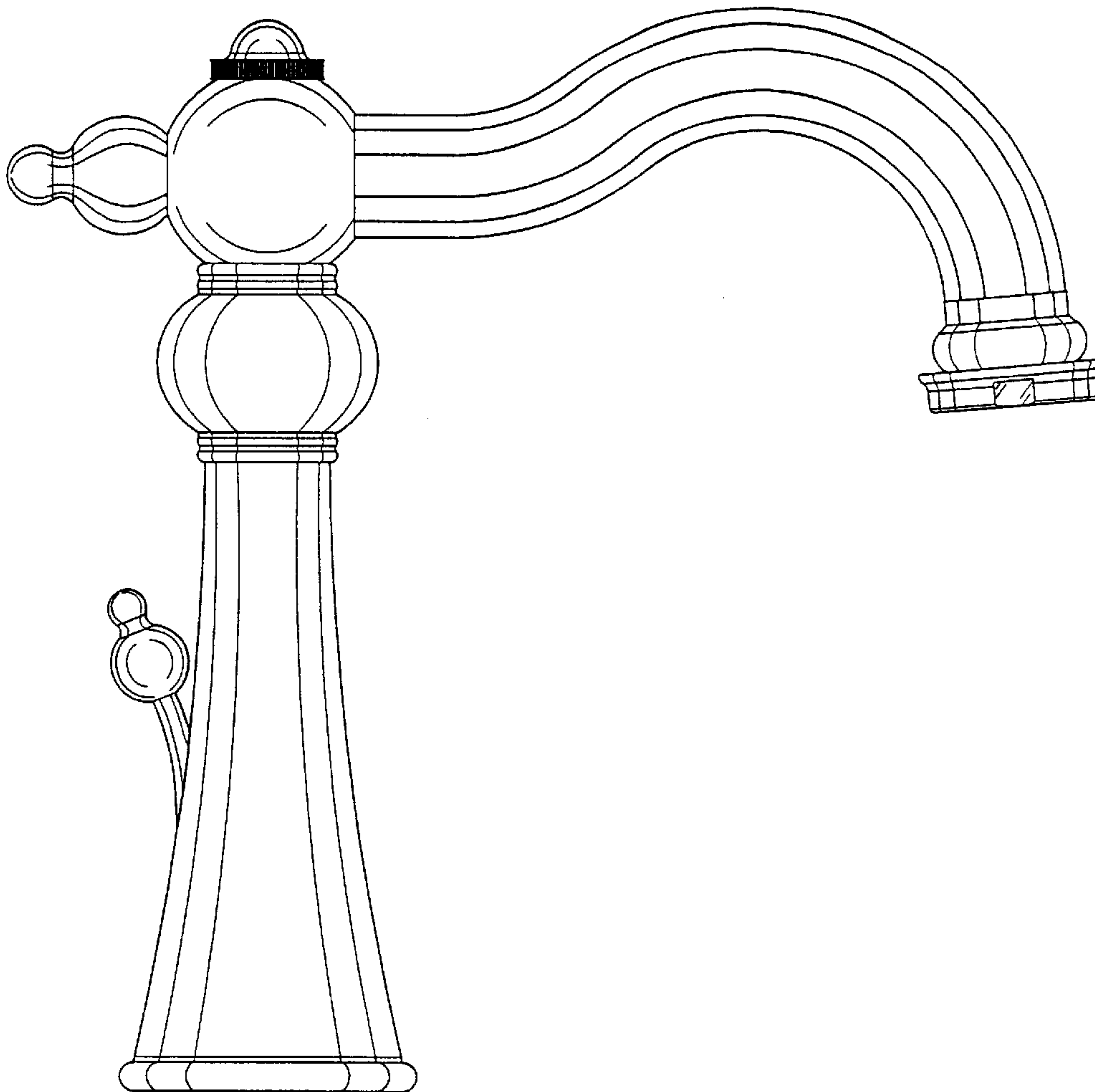
FIG. 1 is perspective view of a faucet showing my new design;  
FIG. 2 is a front side elevation view thereof;  
FIG. 3 is a left side elevation view thereof;  
FIG. 4 is a right side elevation view thereof;  
FIG. 5 is a rear side elevation view thereof;  
FIG. 6 is a top plan view thereof; and,  
FIG. 7 is a bottom plan view thereof.

(56) **References Cited**

**U.S. PATENT DOCUMENTS**

D464,403 S \* 10/2002 Haug et al. .... D23/238  
D465,010 S \* 10/2002 Lord ..... D23/255

**1 Claim, 7 Drawing Sheets**



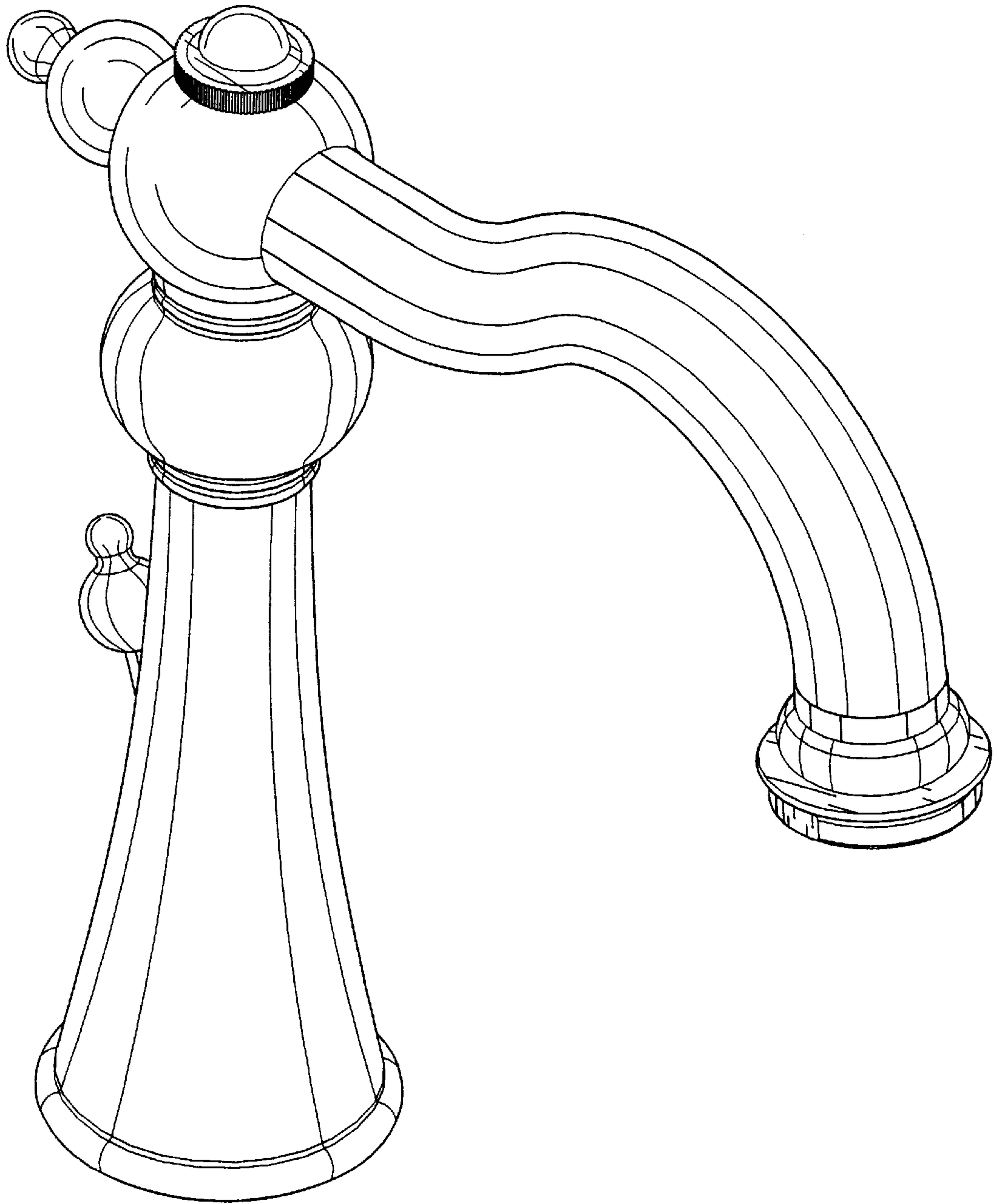


FIG. 1

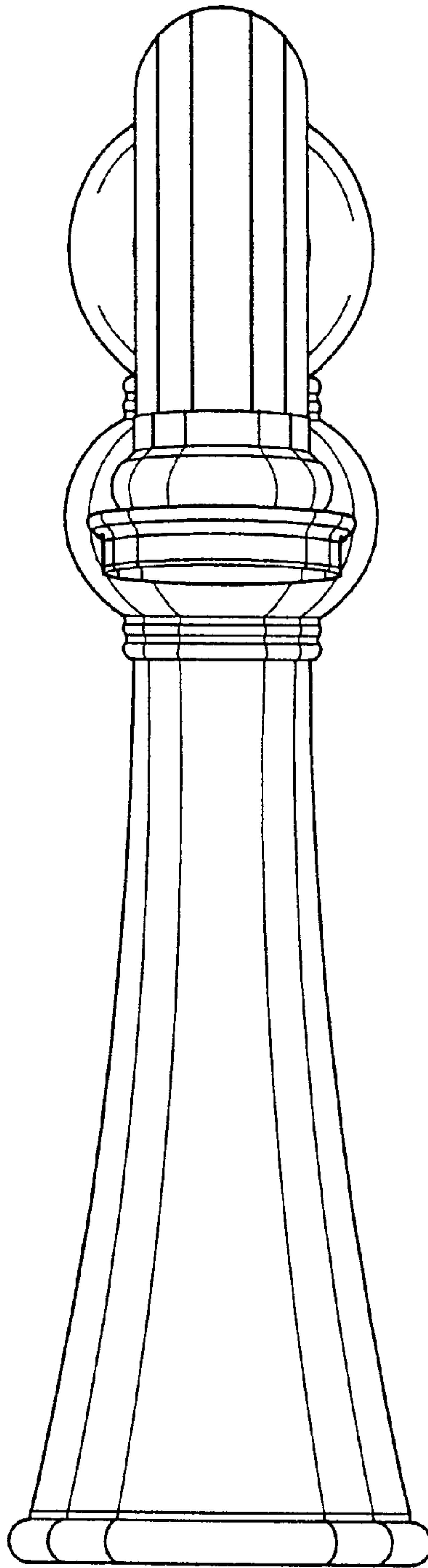


FIG. 2

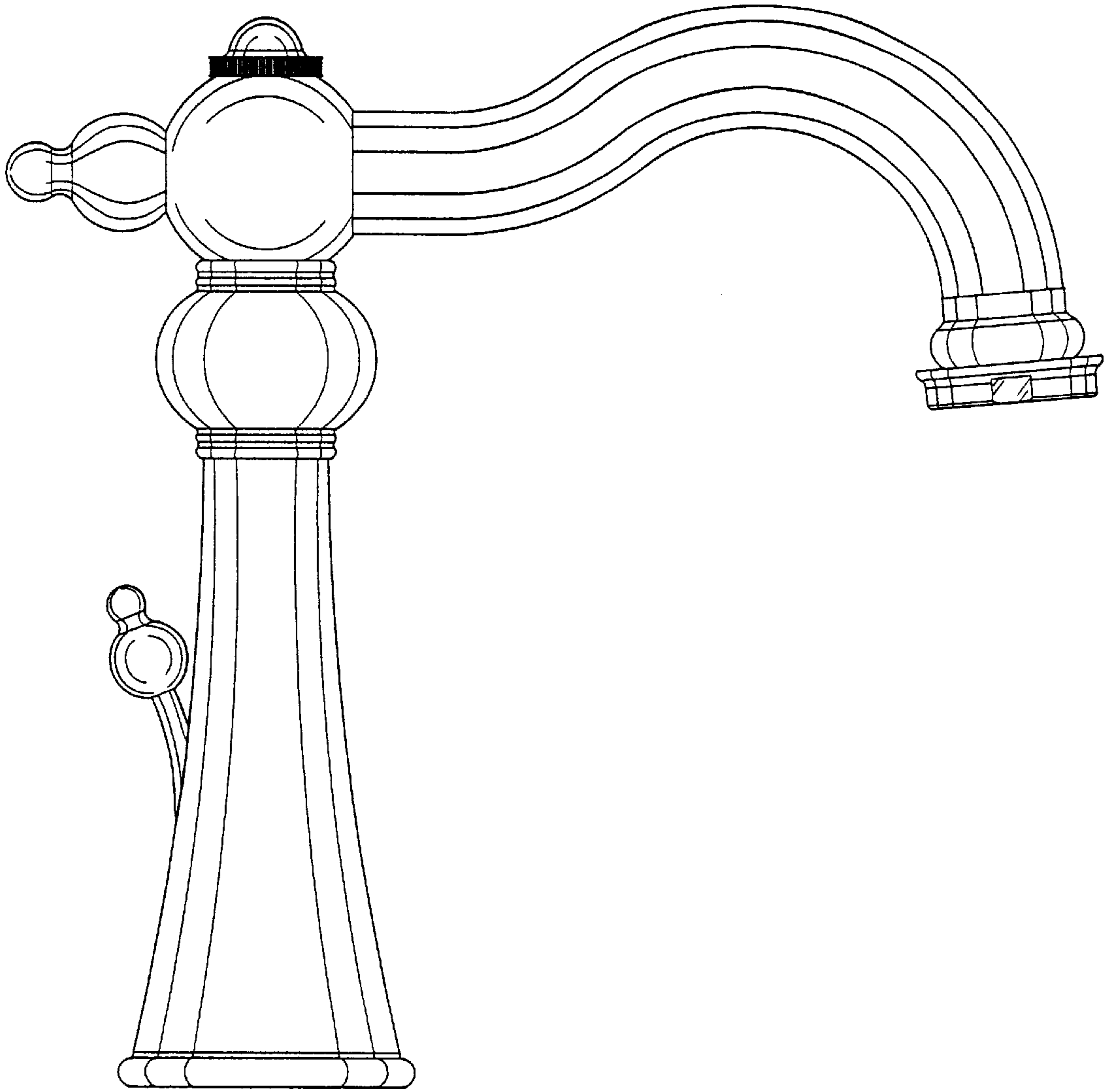


FIG. 3

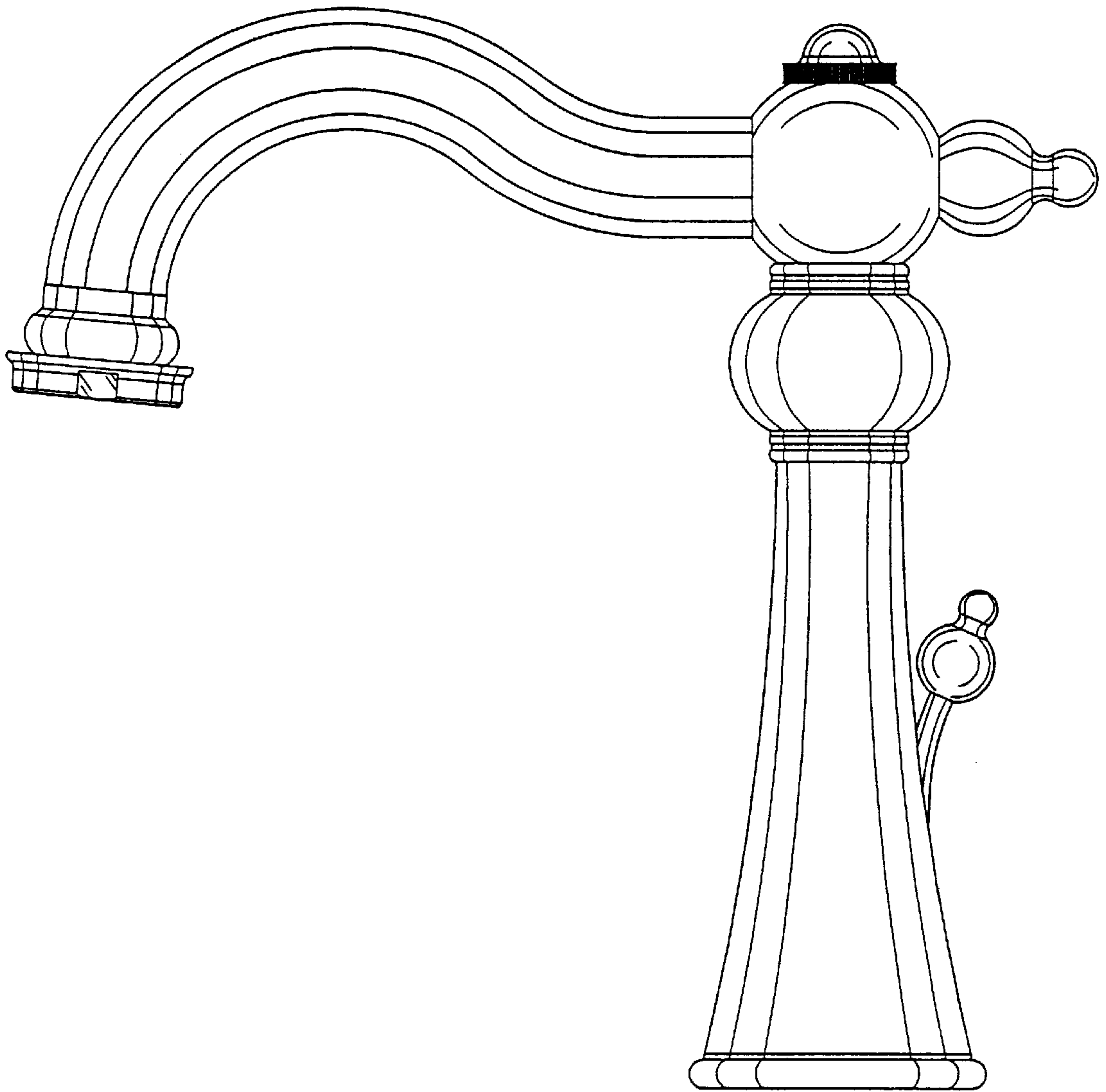


FIG. 4

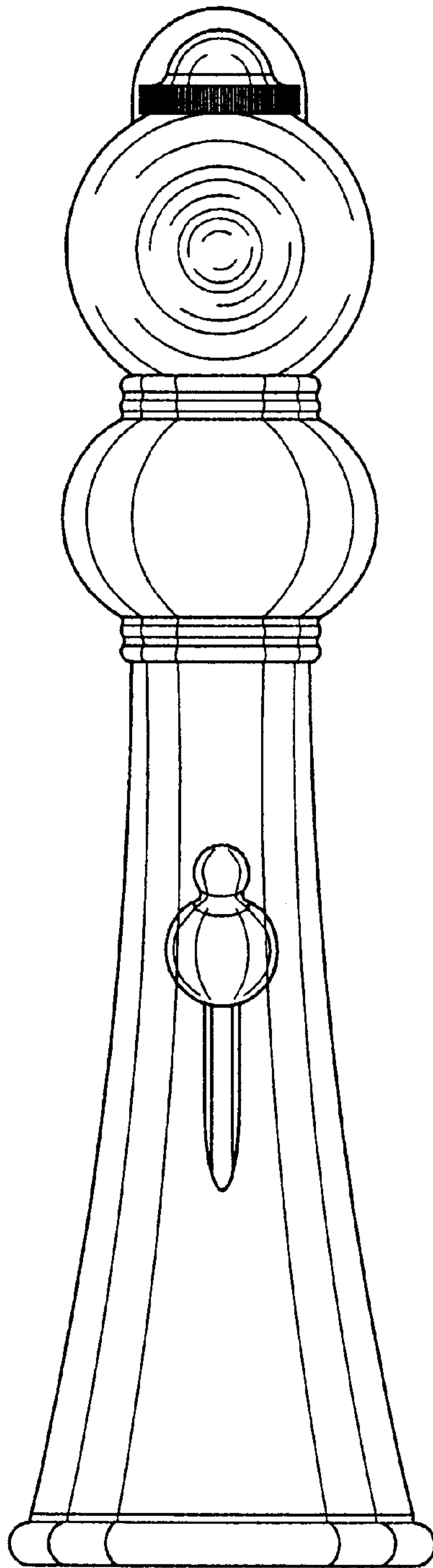


FIG. 5

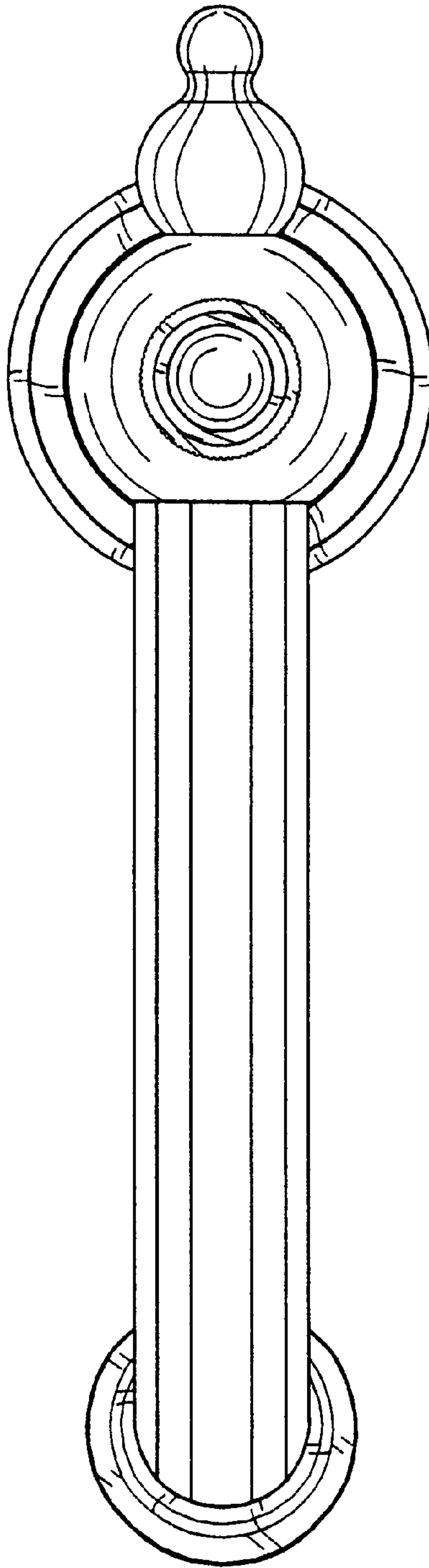


FIG. 6



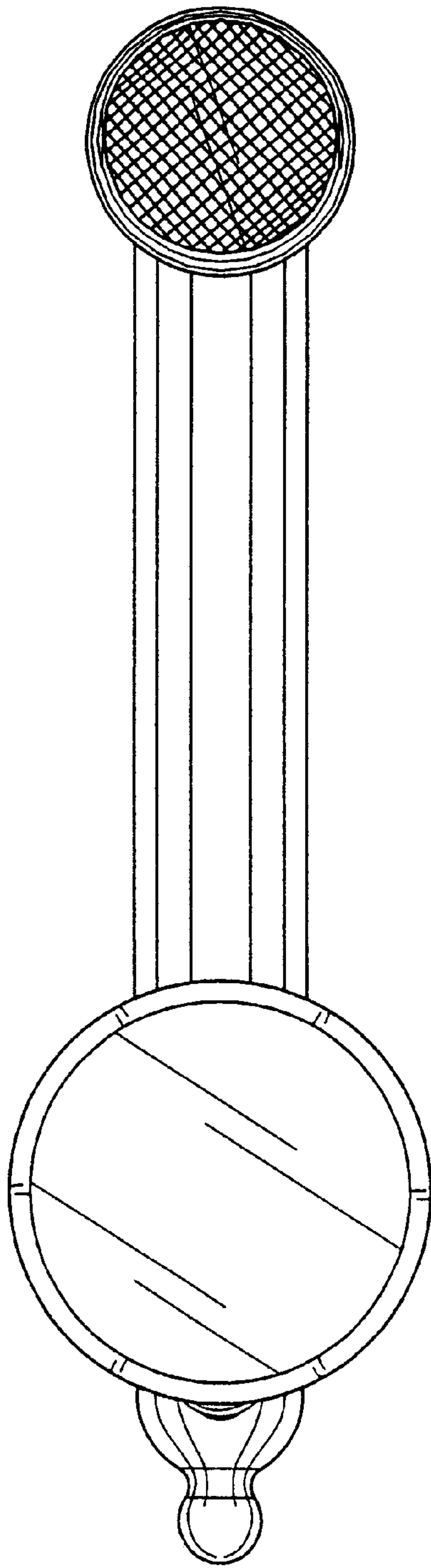


FIG. 7