



US00D478370S

(12) **United States Design Patent**
Ouyoung

(10) **Patent No.:** **US D478,370 S**

(45) **Date of Patent:** **** Aug. 12, 2003**

(54) **FAUCET**

D465,270 S * 11/2002 Gottwald D23/257
D466,977 S * 12/2002 Cummings D23/238

(75) **Inventor:** **Scott Ouyoung**, Taichung (TW)

* cited by examiner

(73) **Assignee:** **Globe Union Industrial Corp.**,
Taichung (TW)

Primary Examiner—Louis S. Zarfes
Assistant Examiner—Gregory Andoll
(74) *Attorney, Agent, or Firm*—Leong C. Lei

(**) **Term:** **14 Years**

(57) **CLAIM**

(21) **Appl. No.:** **29/174,242**

The ornamental design for a faucet, as shown and described.

(22) **Filed:** **Jan. 15, 2003**

DESCRIPTION

(51) **LOC (7) Cl.** **23-01**

(52) **U.S. Cl.** **D23/238**

(58) **Field of Search** D23/238-243,
D23/250-257; 4/675-678; 137/801

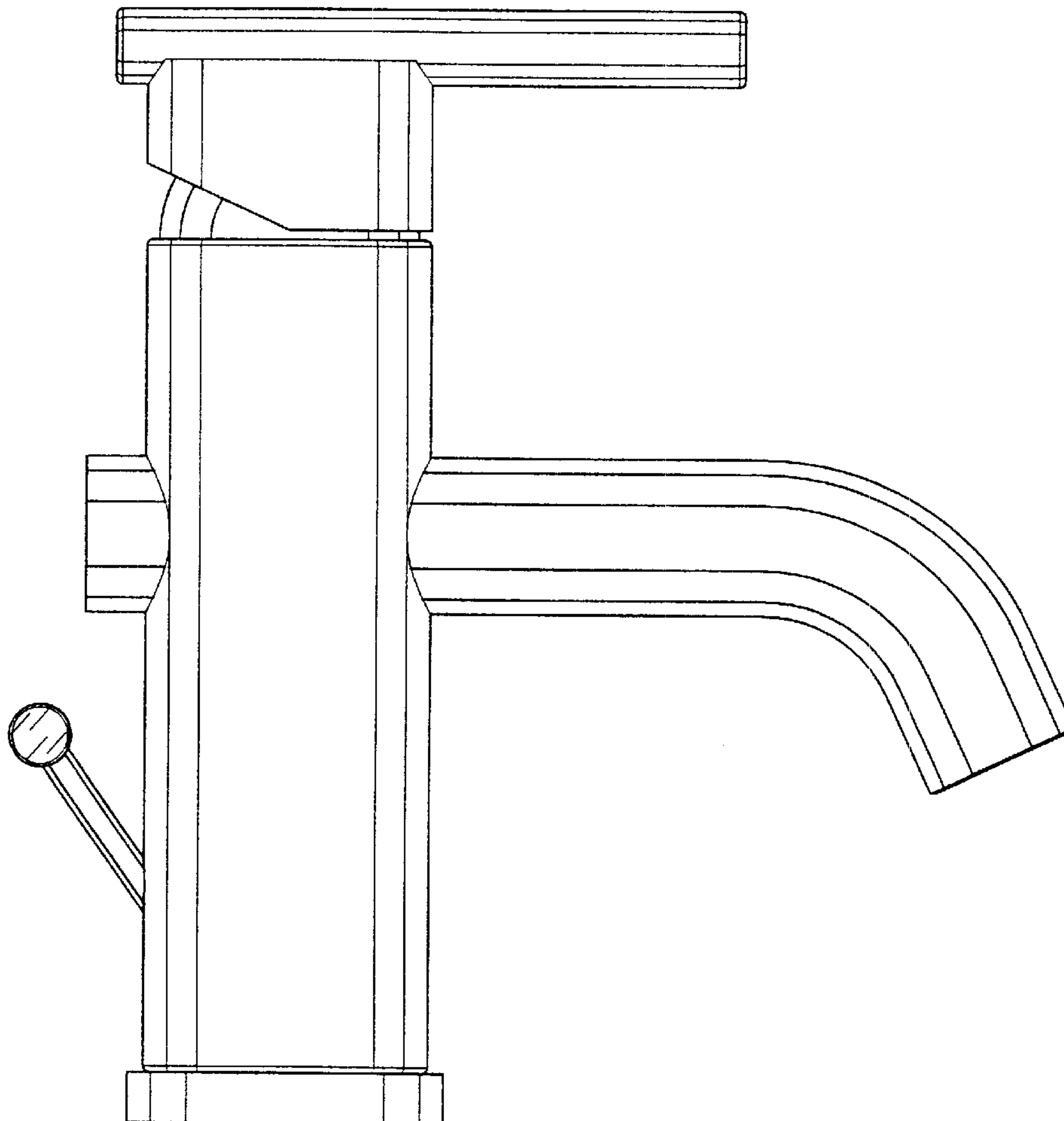
FIG. 1 is perspective view of a faucet showing my new design;
FIG. 2 is a front side elevation view thereof;
FIG. 3 is a rear side elevation view thereof;
FIG. 4 is a left side elevation view thereof;
FIG. 5 is a right side elevation view thereof;
FIG. 6 is a top plan view thereof; and,
FIG. 7 is a bottom plan view thereof.

(56) **References Cited**

U.S. PATENT DOCUMENTS

D363,763 S * 10/1995 Starck D23/243
D417,906 S * 12/1999 Mullenmeister D23/238
D420,430 S * 2/2000 Lobermeier D23/238

1 Claim, 7 Drawing Sheets



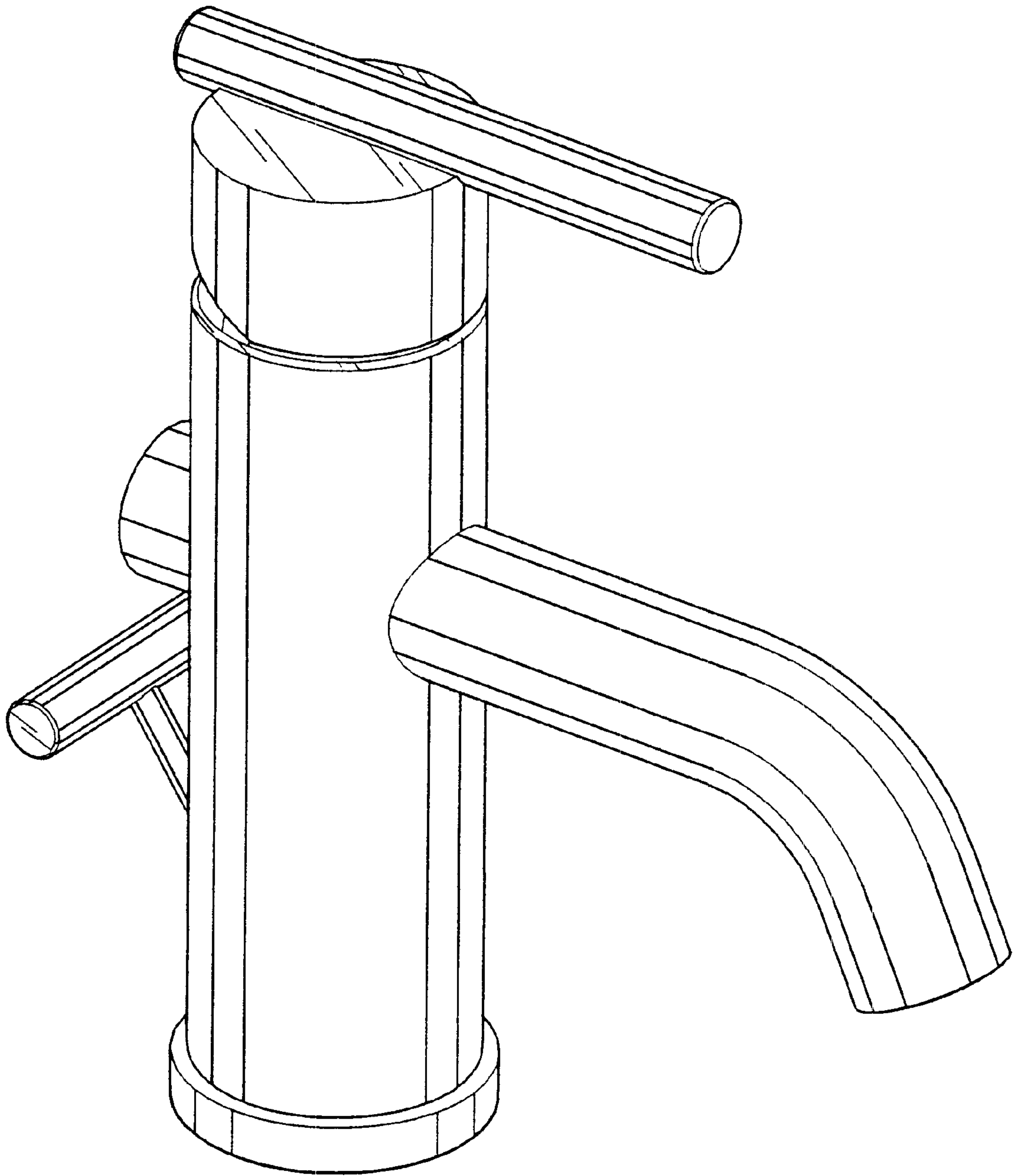


FIG. 1

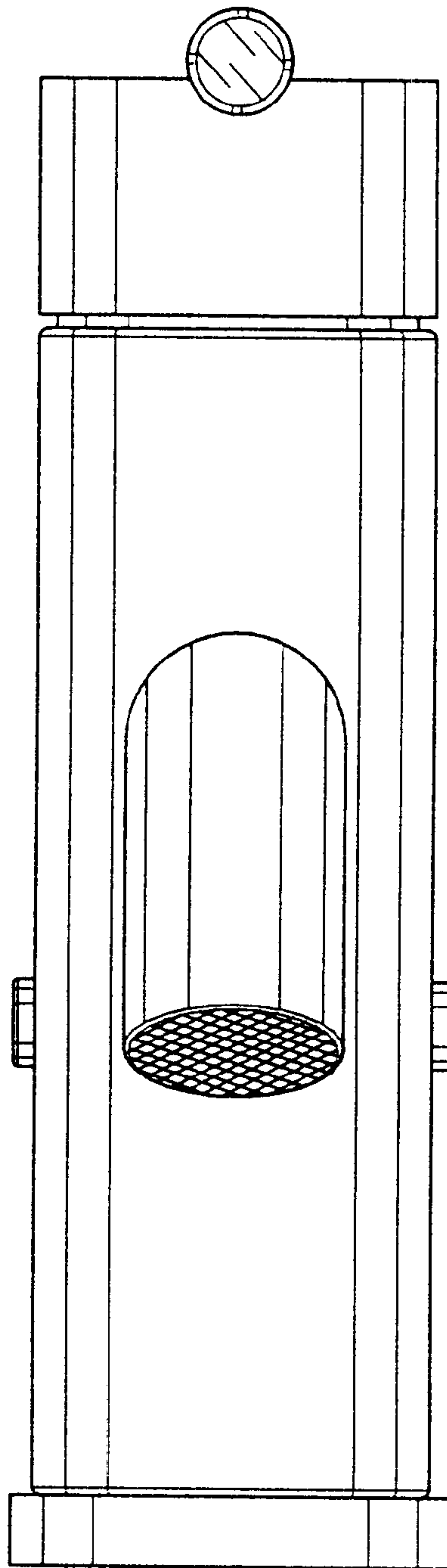


FIG. 2

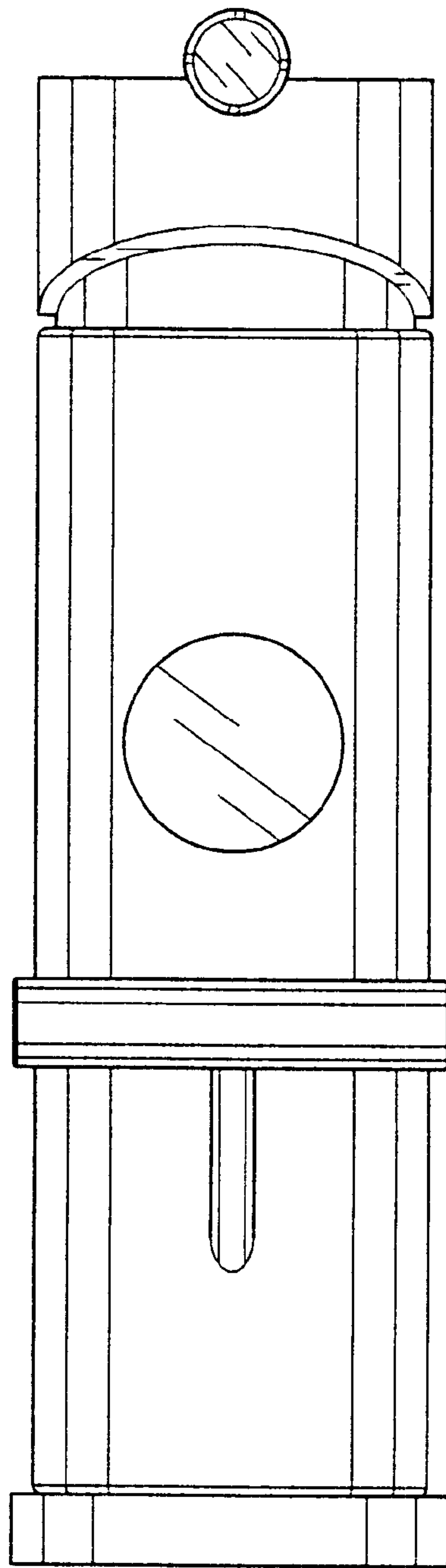


FIG. 3

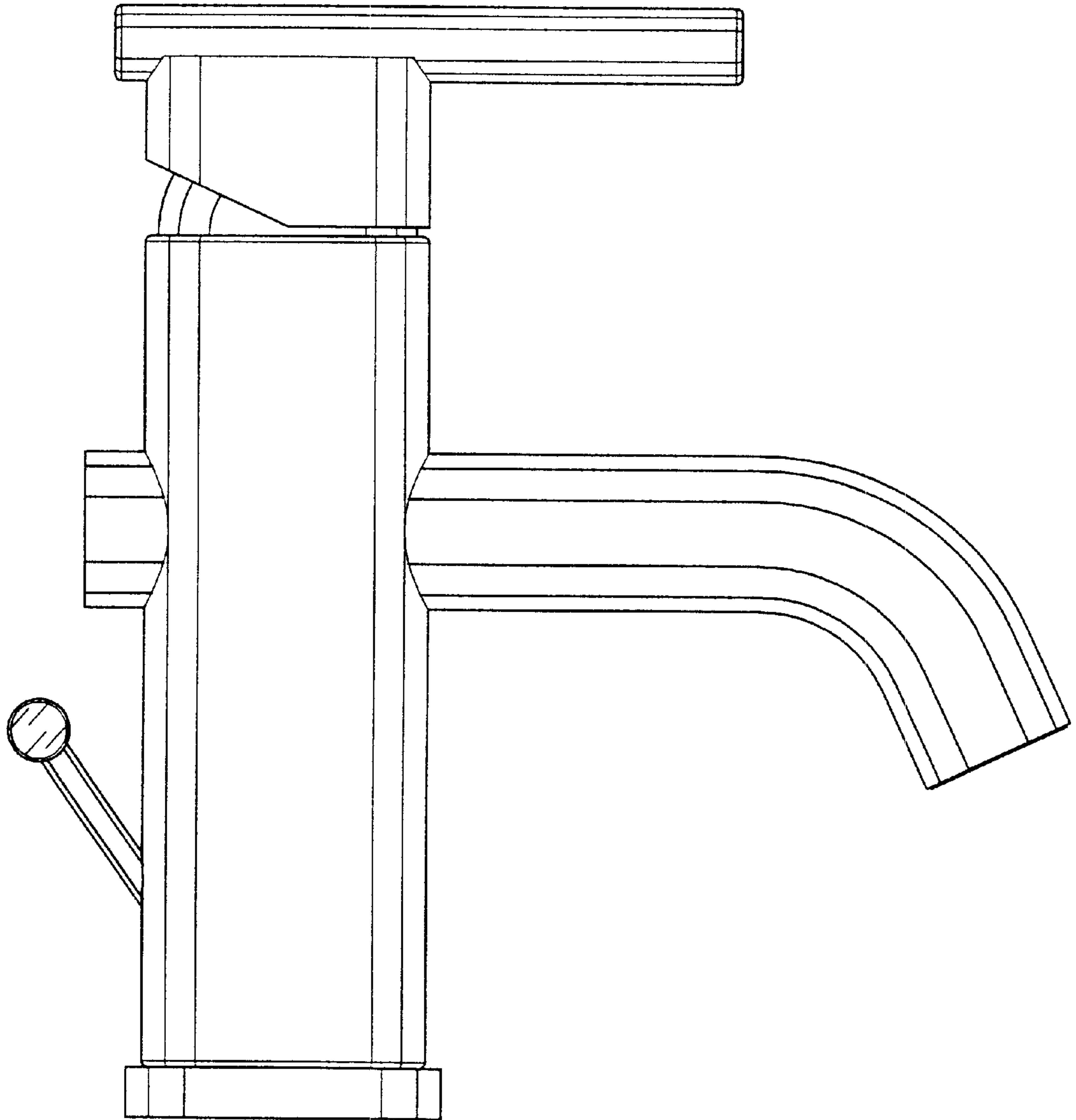


FIG. 4

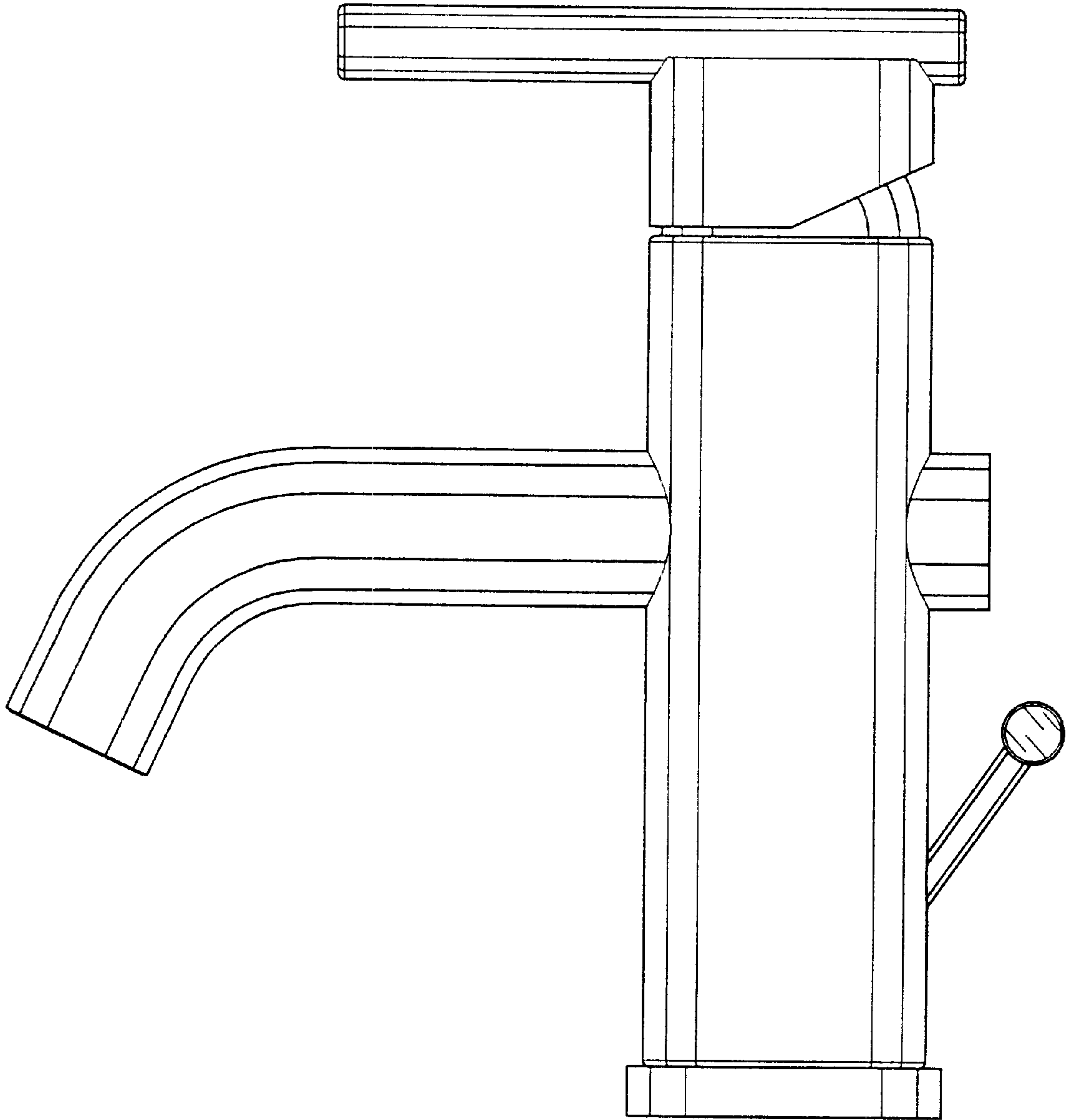


FIG. 5

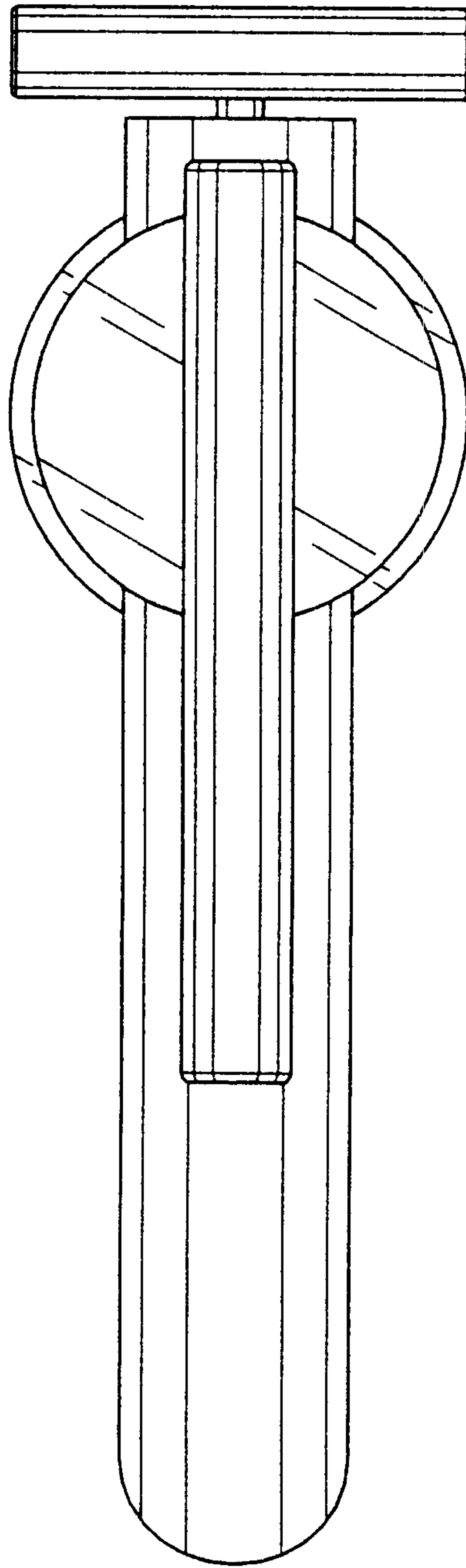


FIG. 6

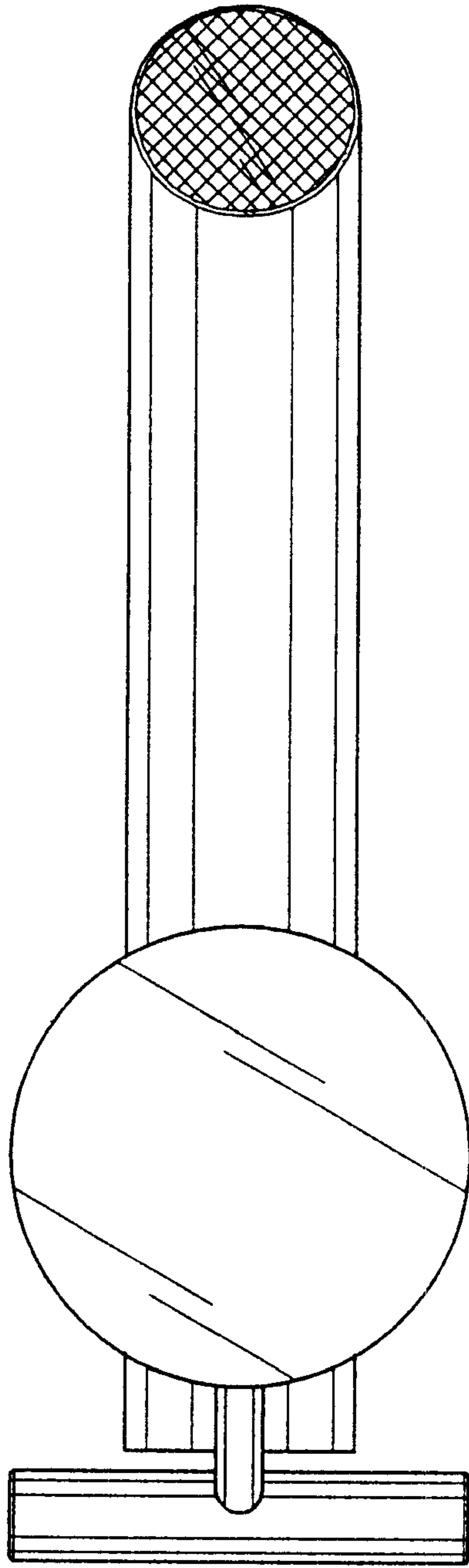


FIG. 7