



US00D478369S

(12) **United States Design Patent**  
**Chang**

(10) **Patent No.:** **US D478,369 S**

(45) **Date of Patent:** **\*\* Aug. 12, 2003**

(54) **HAND PUMP**

(76) **Inventor:** **Hsueh Chin Chang**, P.O. Box 63-150,  
Taichung City (406) (TW)

(\*\*) **Term:** **14 Years**

(21) **Appl. No.:** **29/167,340**

(22) **Filed:** **Sep. 8, 2002**

(30) **Foreign Application Priority Data**

Jun. 17, 2002 (TW) ..... 091303146 A

(51) **LOC (7) Cl.** ..... **15-02**

(52) **U.S. Cl.** ..... **D23/231**

(58) **Field of Search** ..... D23/231, 226;  
222/3; 417/63, 440, 305, 306

(56) **References Cited**

**U.S. PATENT DOCUMENTS**

4,564,506 A \* 1/1986 Williams ..... 417/440

4,954,054 A \* 9/1990 Neward ..... 417/440

D321,927 S \* 11/1991 Smith et al. .... D23/231

5,362,214 A \* 11/1994 Neward ..... 417/440

5,478,216 A \* 12/1995 Neward ..... 417/440

\* cited by examiner

*Primary Examiner*—Robin V. Taylor

(57) **CLAIM**

The ornamental design for a hand pump, as shown and described.

**DESCRIPTION**

FIG. 1 is a front perspective view of a hand pump showing my new design;

FIG. 2 is a right side elevational view;

FIG. 3 is a top plan view;

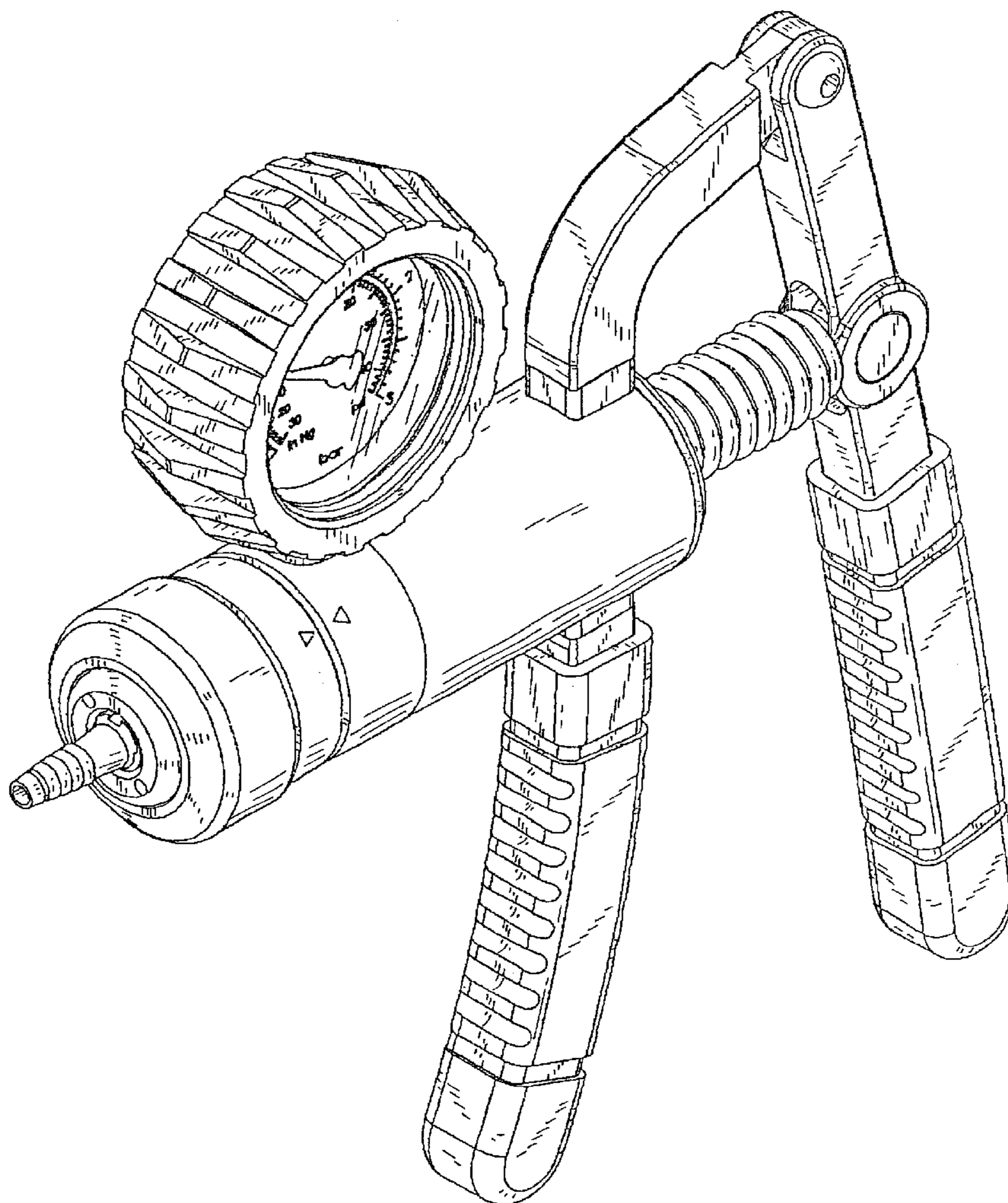
FIG. 4 is a front elevational view;

FIG. 5 is a bottom plan view thereof;

FIG. 6 is a left side elevational view; and,

FIG. 7 is a rear elevational view.

**1 Claim, 7 Drawing Sheets**



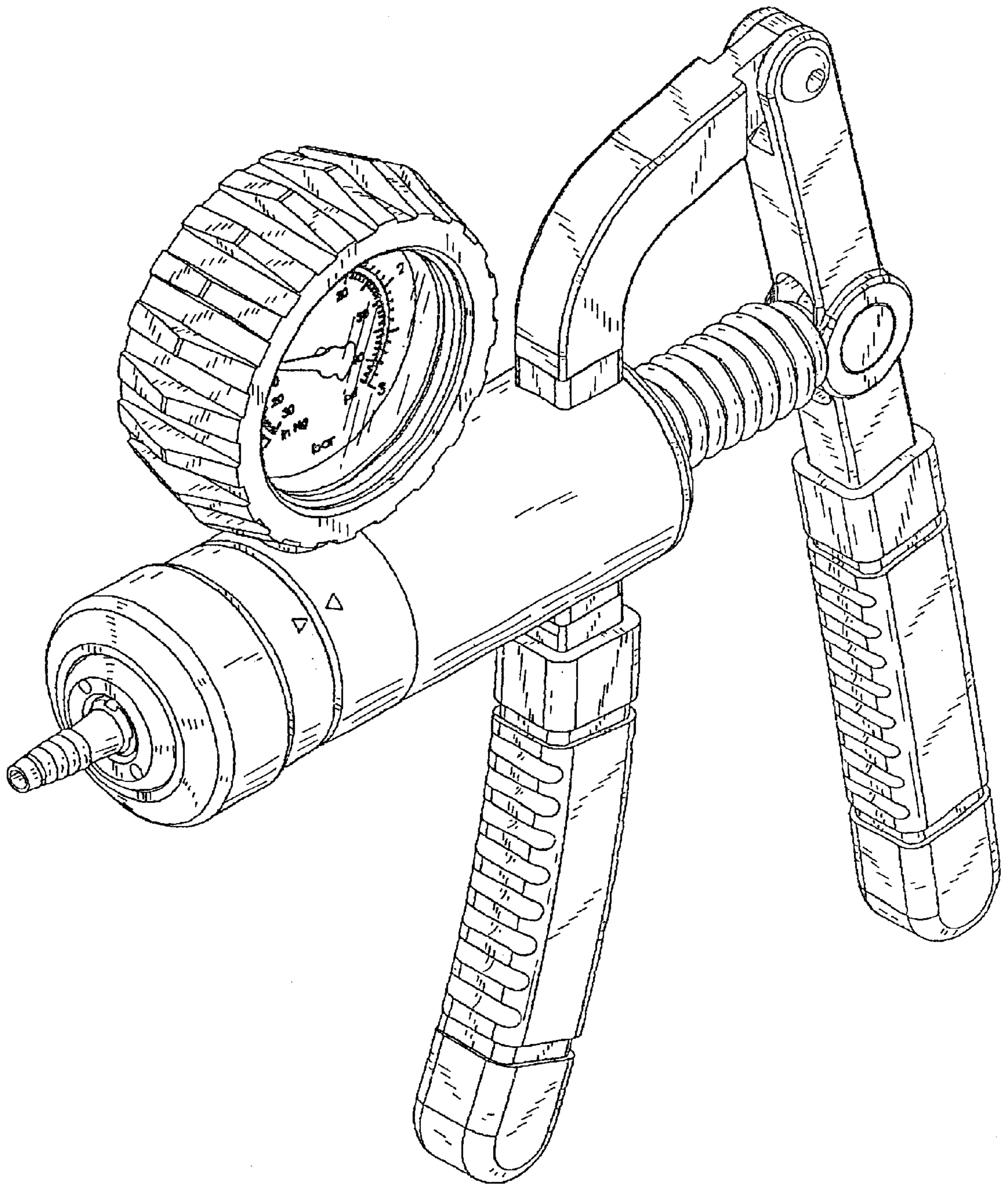


FIG. 1

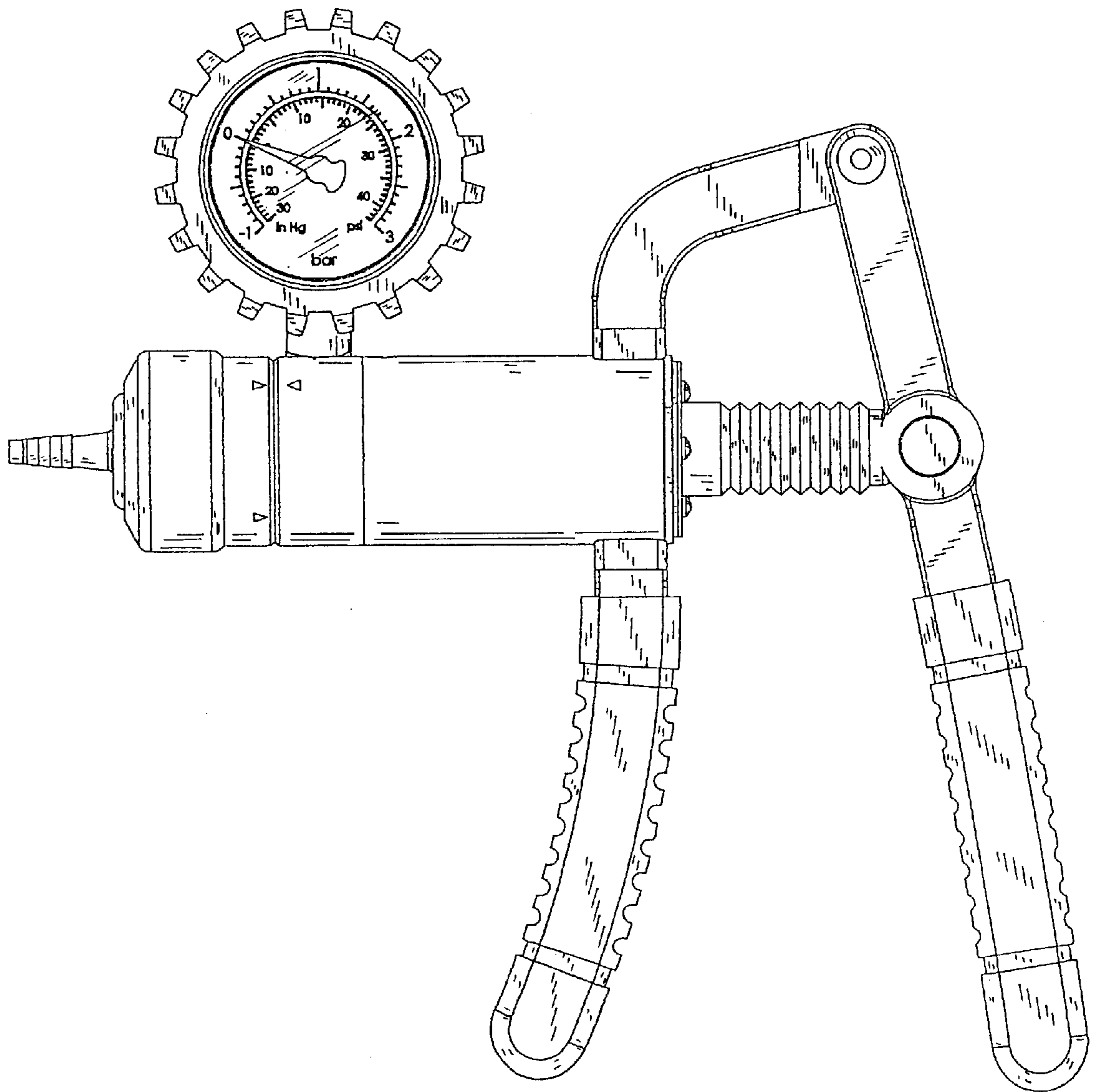


FIG. 2

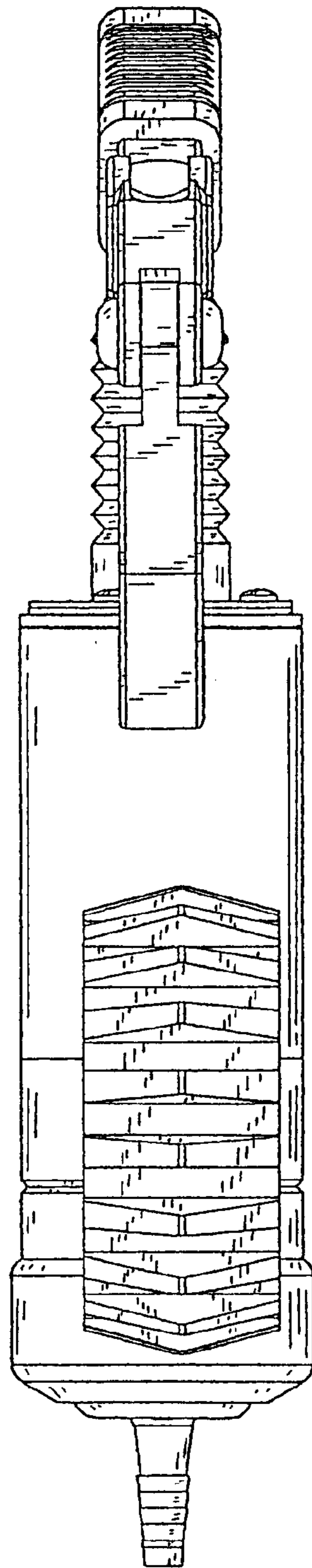


FIG. 3

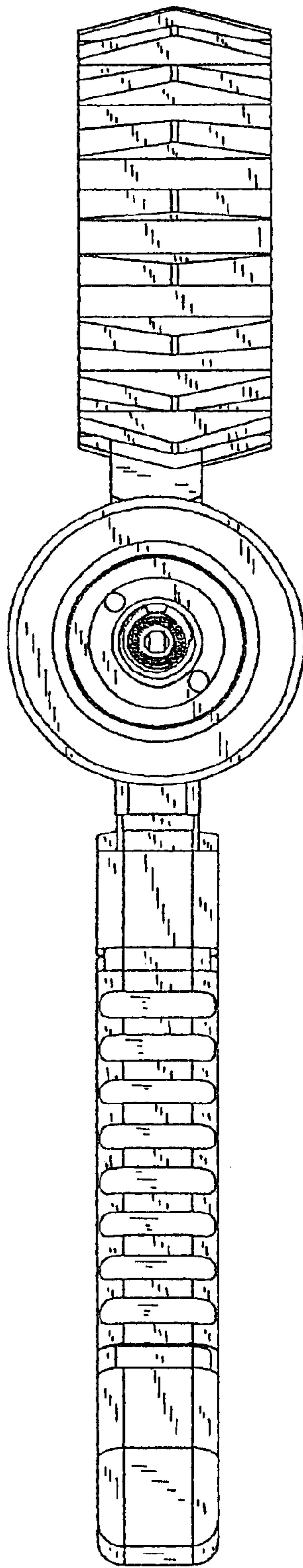


FIG. 4

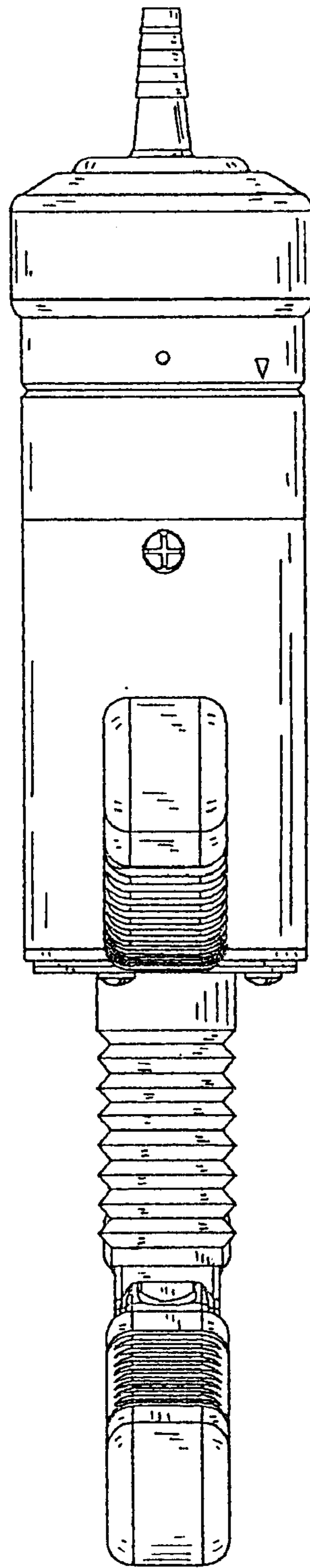


FIG. 5

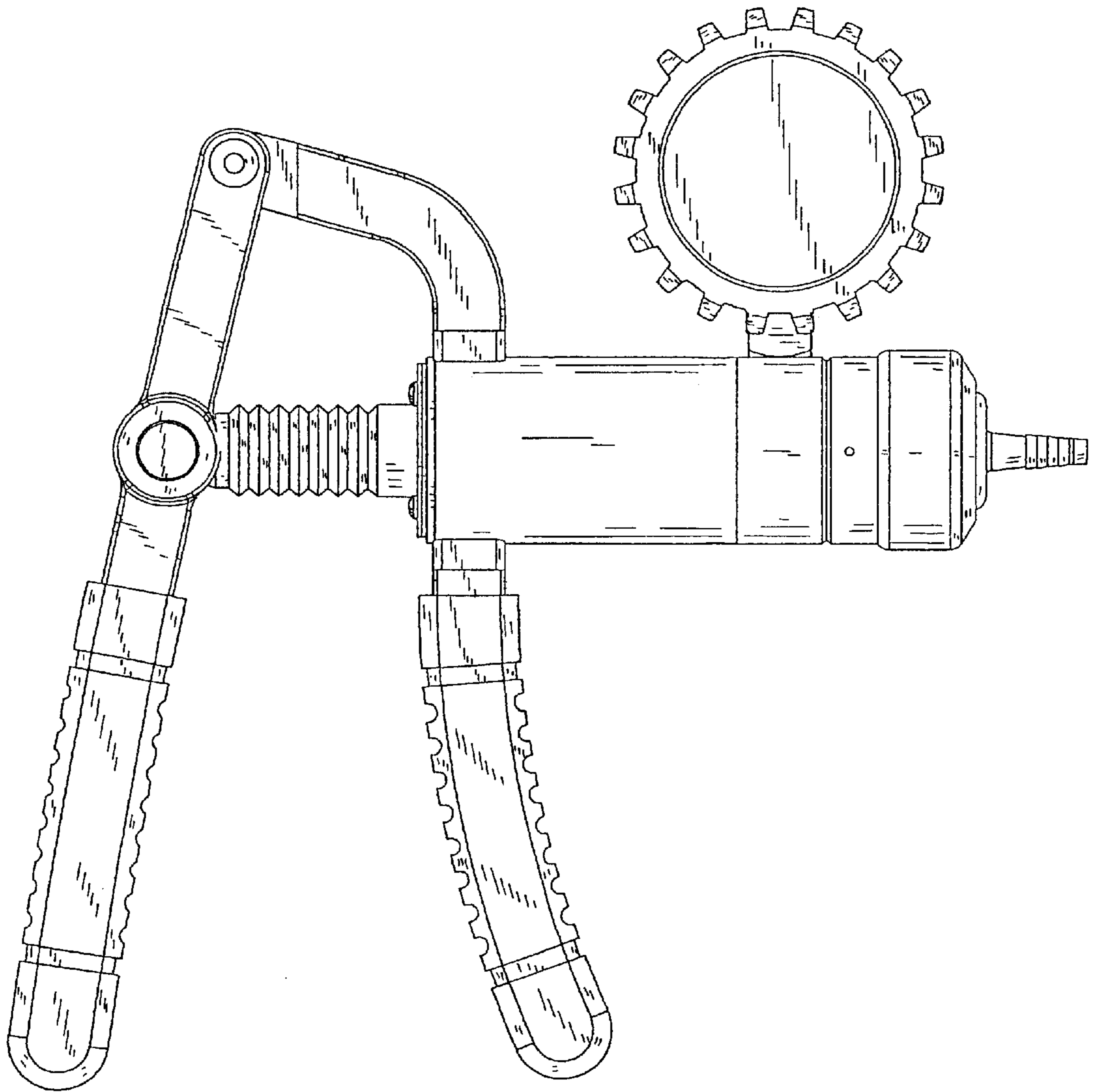


FIG. 6

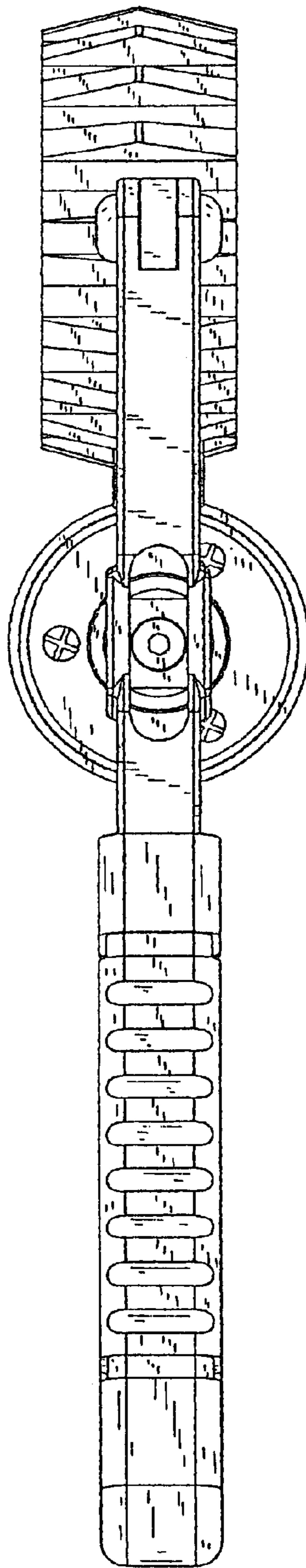


FIG. 7