



US00D478368S

(12) **United States Design Patent**
Kelsoe

(10) **Patent No.:** **US D478,368 S**

(45) **Date of Patent:** **** Aug. 12, 2003**

(54) **BOW SIGHT PROTECTING COVER**

(76) Inventor: **Clifton W. Kelsoe**, 1338 Alabama Hwy.
157, Danville, AL (US) 35619

(**) Term: **14 Years**

(21) Appl. No.: **29/166,029**

(22) Filed: **Aug. 21, 2002**

(51) **LOC (7) Cl.** **22-01**

(52) **U.S. Cl.** **D22/107**

(58) **Field of Search** D22/100, 108,
D22/109, 199; 124/25.5, 86, 87; 150/154;
206/315.11

(56) **References Cited**

U.S. PATENT DOCUMENTS

4,785,791	A	*	11/1988	Sloop	124/87	X
5,253,423	A	*	10/1993	Sullivan, Jr. et al.	33/265	
5,653,217	A	*	8/1997	Keller	124/87	
5,749,352	A	*	5/1998	McFarlin	124/87	
6,453,898	B1	*	9/2002	Altmann et al.	124/87	

* cited by examiner

Primary Examiner—Louis S. Zarfes

Assistant Examiner—Monica A. Weingart

(74) *Attorney, Agent, or Firm*—Lanier Ford Shaver &
Payne P.C.; Gerald M. Walsh

(57) **CLAIM**

I claim the ornamental design for a bow sight protecting cover, as shown and described.

DESCRIPTION

FIG. 1 is a front, left side, perspective view of the bow sight protecting cover showing a bow sight broken away, said bow sight shown in dashed lines and not forming part of the claimed design.

FIG. 2 is front, left side, perspective view of the bow sight protecting cover showing an alternate bow sight broken away, said bow sight shown in dashed lines and not forming part of the claimed design.

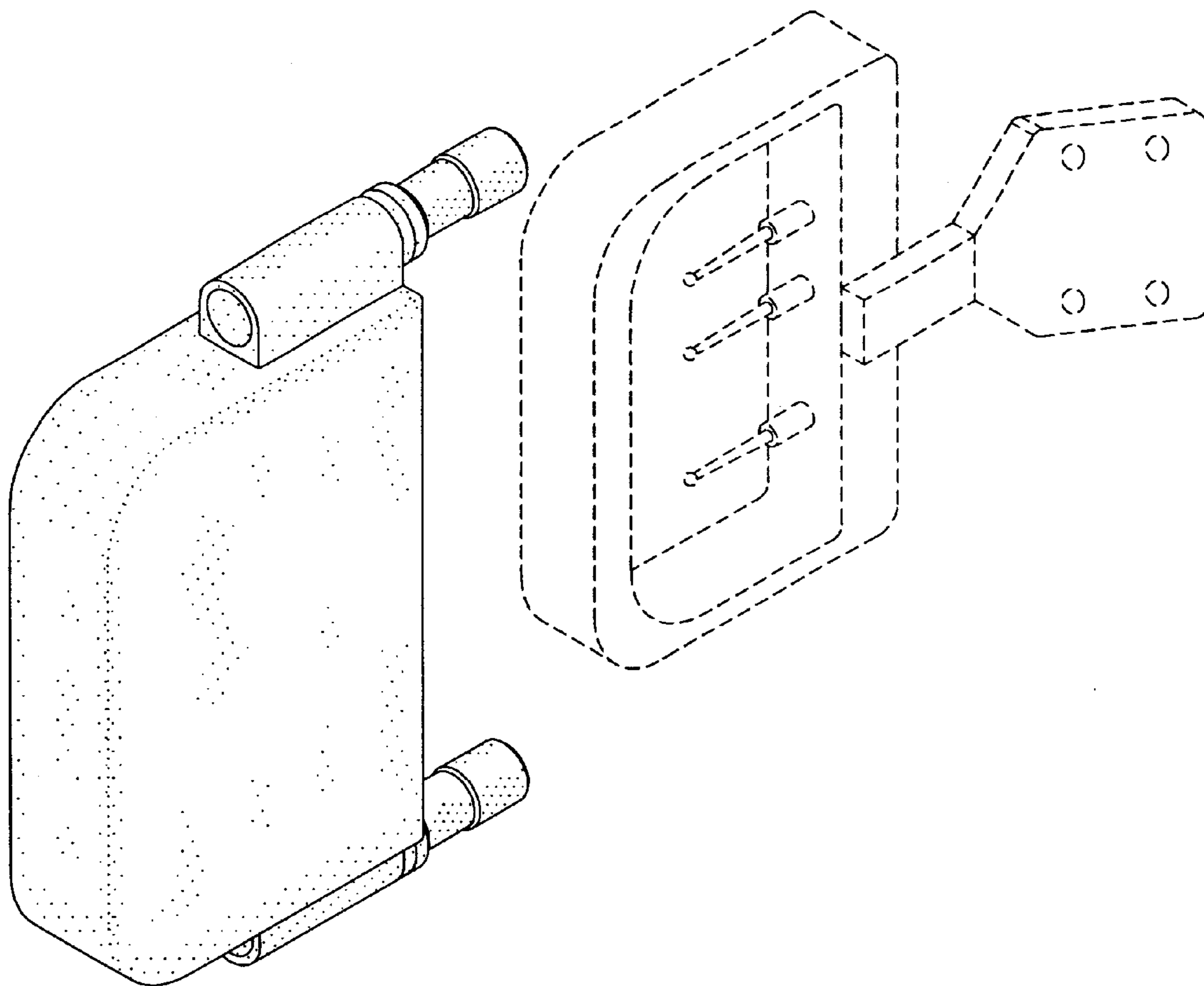
FIG. 3 is a front elevation view thereof, the rear view being identical to the front view.

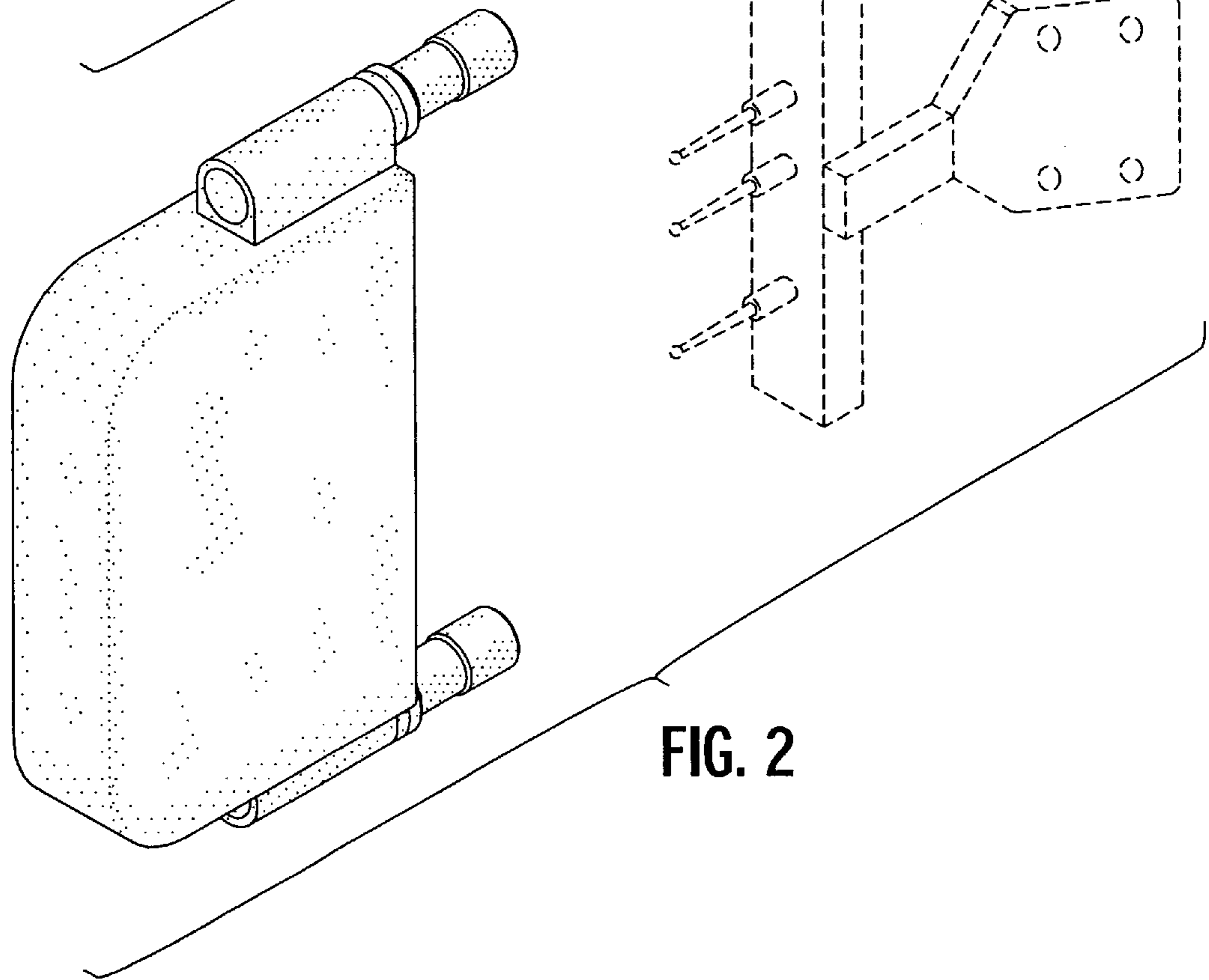
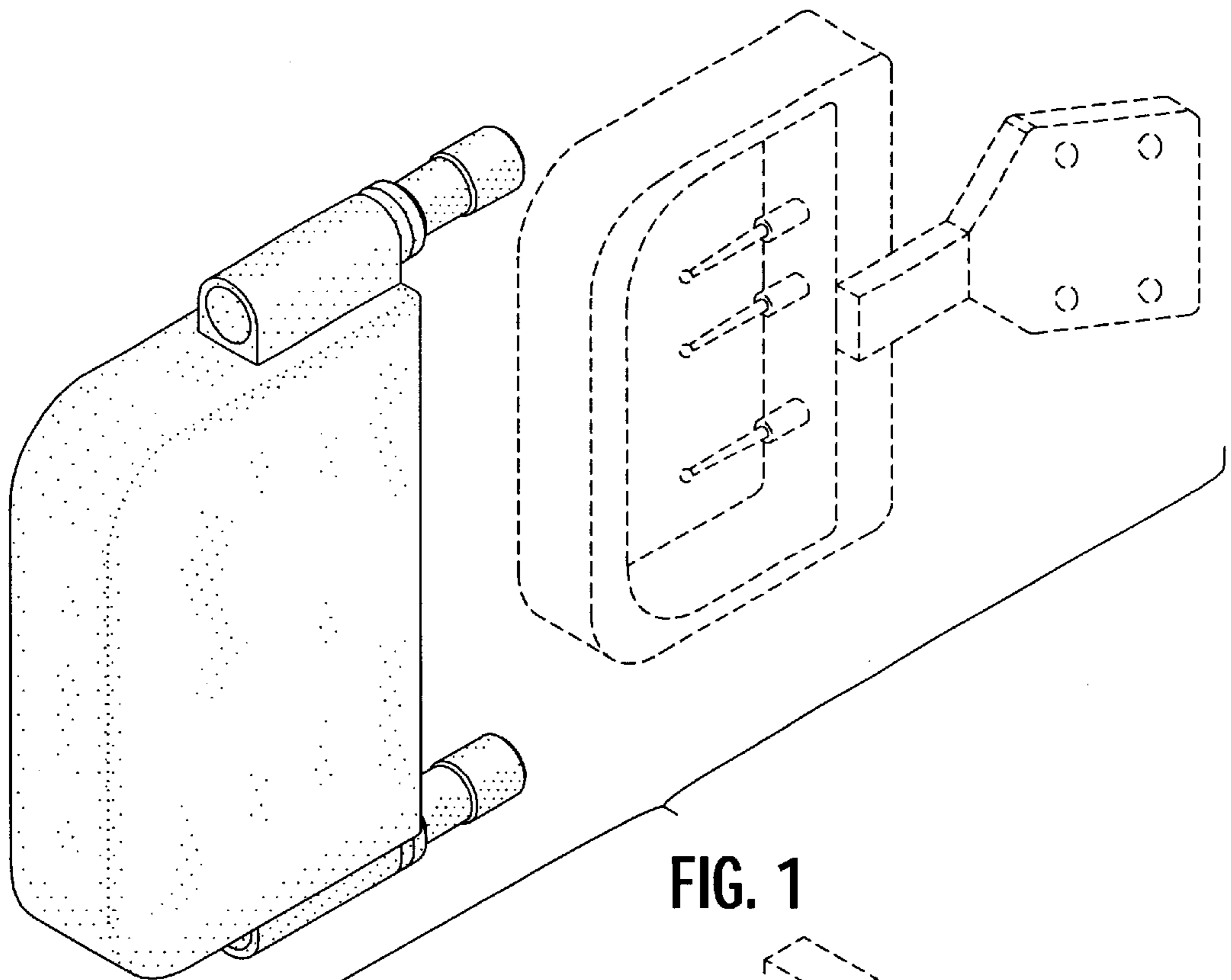
FIG. 4 is a side elevation view thereof, both sides having identical views.

FIG. 5 is a top plan view thereof; and,

FIG. 6 is a bottom plan view thereof.

1 Claim, 2 Drawing Sheets





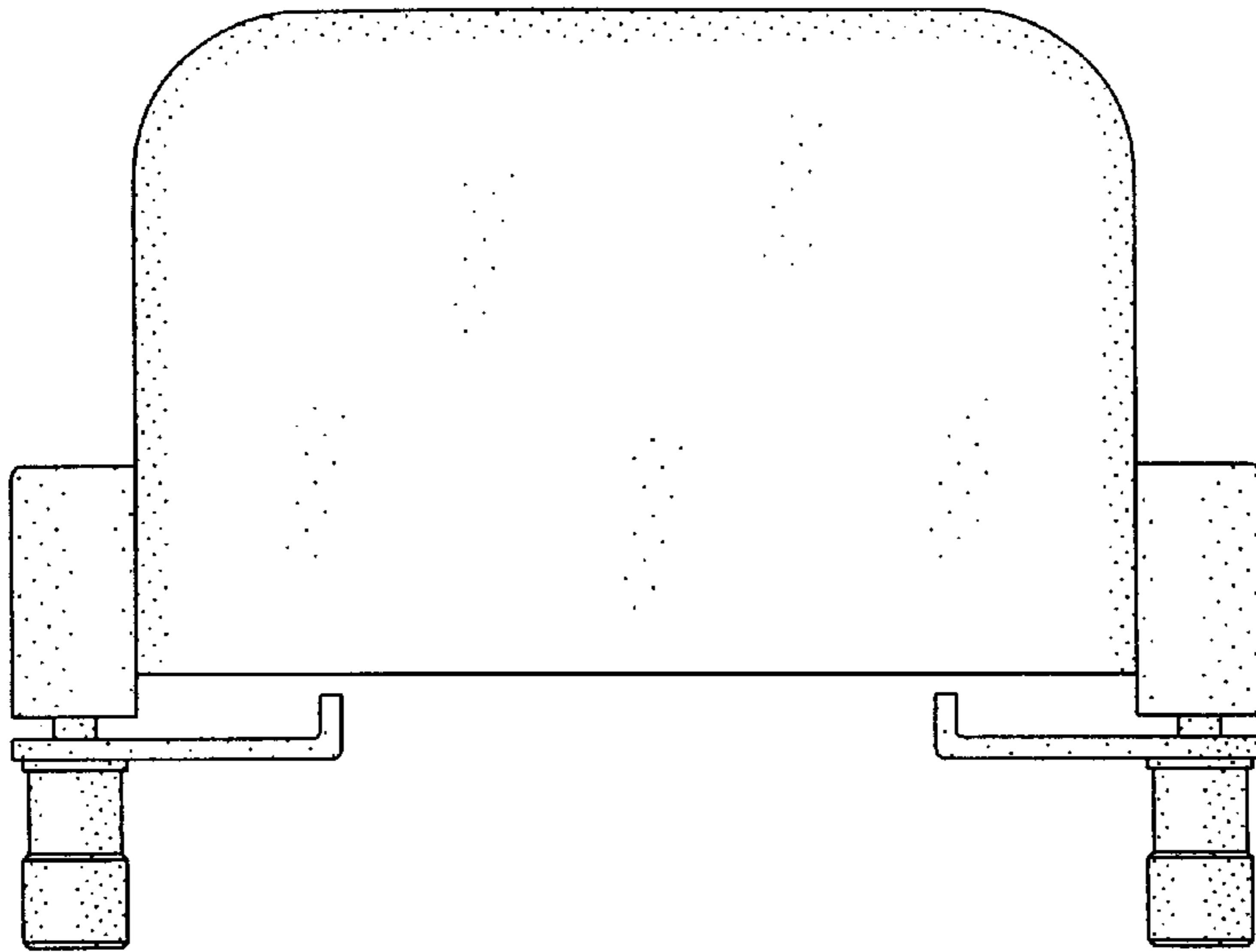


FIG. 3



FIG. 4

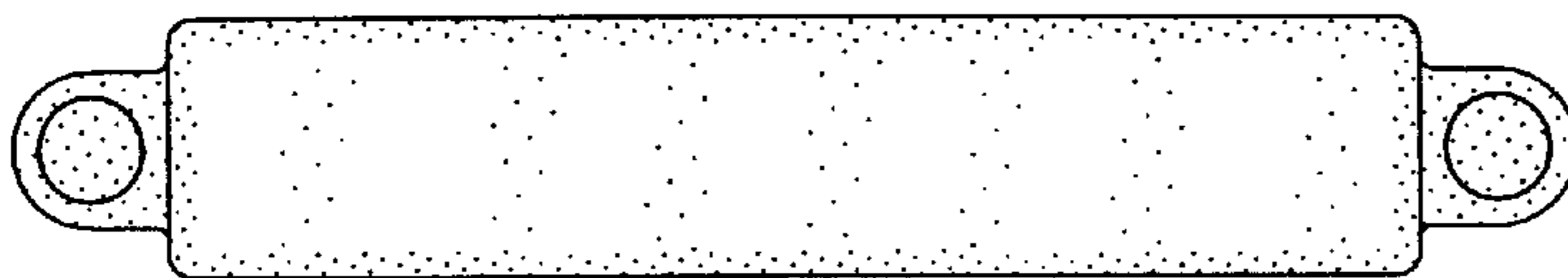


FIG. 5

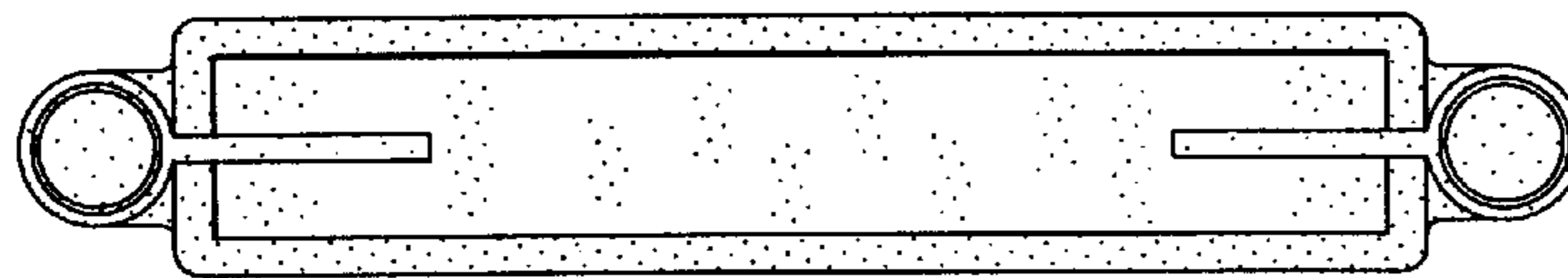


FIG. 6