



US00D478365S

(12) **United States Design Patent**  
**Giannelli et al.**

(10) **Patent No.:** **US D478,365 S**

(45) **Date of Patent:** **\*\* Aug. 12, 2003**

(54) **EXERCISE DEVICE FOR CROSS TRAINING**

(75) Inventors: **Raymond Giannelli**, Franklin, MA (US); **Scott Lee**, Pomfret, CT (US)

(73) Assignee: **Cybex International, Inc.**, Medway, MA (US)

(\*\*) Term: **14 Years**

(21) Appl. No.: **29/151,568**

(22) Filed: **Nov. 13, 2001**

(51) **LOC (7) Cl.** ..... **21-02**

(52) **U.S. Cl.** ..... **D21/668; D21/670**

(58) **Field of Search** ..... **D21/662, 663, D21/667, 668, 669, 670; 482/51, 52, 54, 57, 70, 72**

(56) **References Cited**

**U.S. PATENT DOCUMENTS**

5,611,756 A	*	3/1997	Miller	482/51
D390,628 S	*	2/1998	Husted	D21/668
5,795,268 A		8/1998	Husted	482/51
5,823,914 A	*	10/1998	Chen	482/51
D403,033 S	*	12/1998	Husted et al.	D21/668
D408,477 S		4/1999	Arnold et al.	D21/668
D410,978 S		6/1999	Littrell et al.	D21/668
5,993,359 A		11/1999	Eschenbach	482/57

6,004,244 A	12/1999	Simonson	482/52
6,024,676 A	2/2000	Eschenbach	482/51
6,036,622 A	3/2000	Gordon	482/51
6,045,487 A	4/2000	Miller	482/52
6,063,008 A	* 5/2000	McBride et al.	482/52
D429,781 S	8/2000	Arnold et al.	D21/668
6,168,552 B1	1/2001	Eschenbach	482/52
6,183,397 B1	* 2/2001	Stearns et al.	482/51
D449,356 S	* 10/2001	Arnold et al.	D21/668

\* cited by examiner

*Primary Examiner*—Philip S. Hyder

(74) *Attorney, Agent, or Firm*—Christopher & Weisberg, P.A.

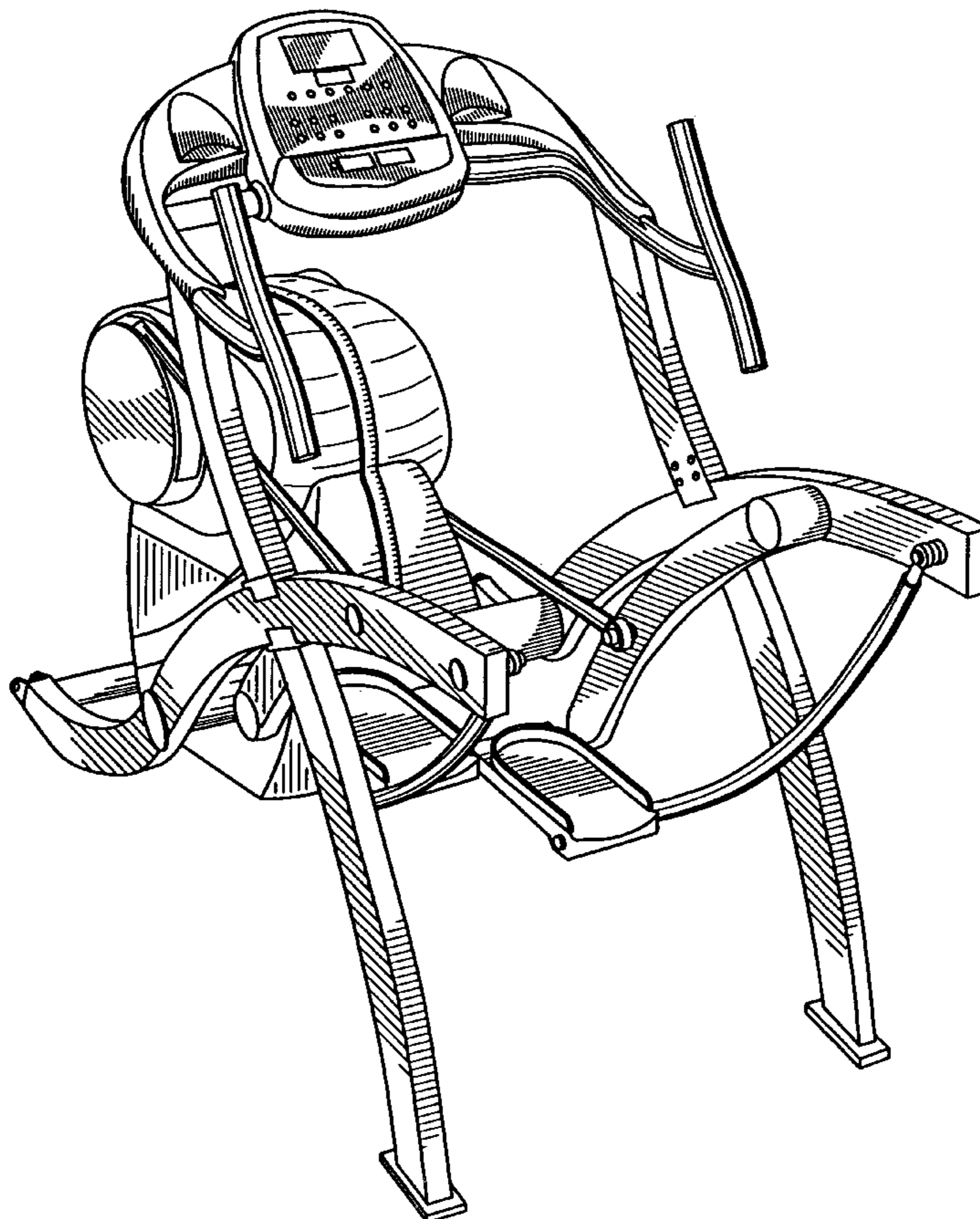
(57) **CLAIM**

The ornamental design for an exercise device for cross training, as shown.

**DESCRIPTION**

FIG. 1 is rear perspective view of an exercise device for cross training;  
FIG. 2 is a front perspective view thereof;  
FIG. 3 is a rear view thereof;  
FIG. 4 is a top view thereof;  
FIG. 5 is a right side view thereof; and,  
FIG. 6 is a left side view thereof.

**1 Claim, 6 Drawing Sheets**



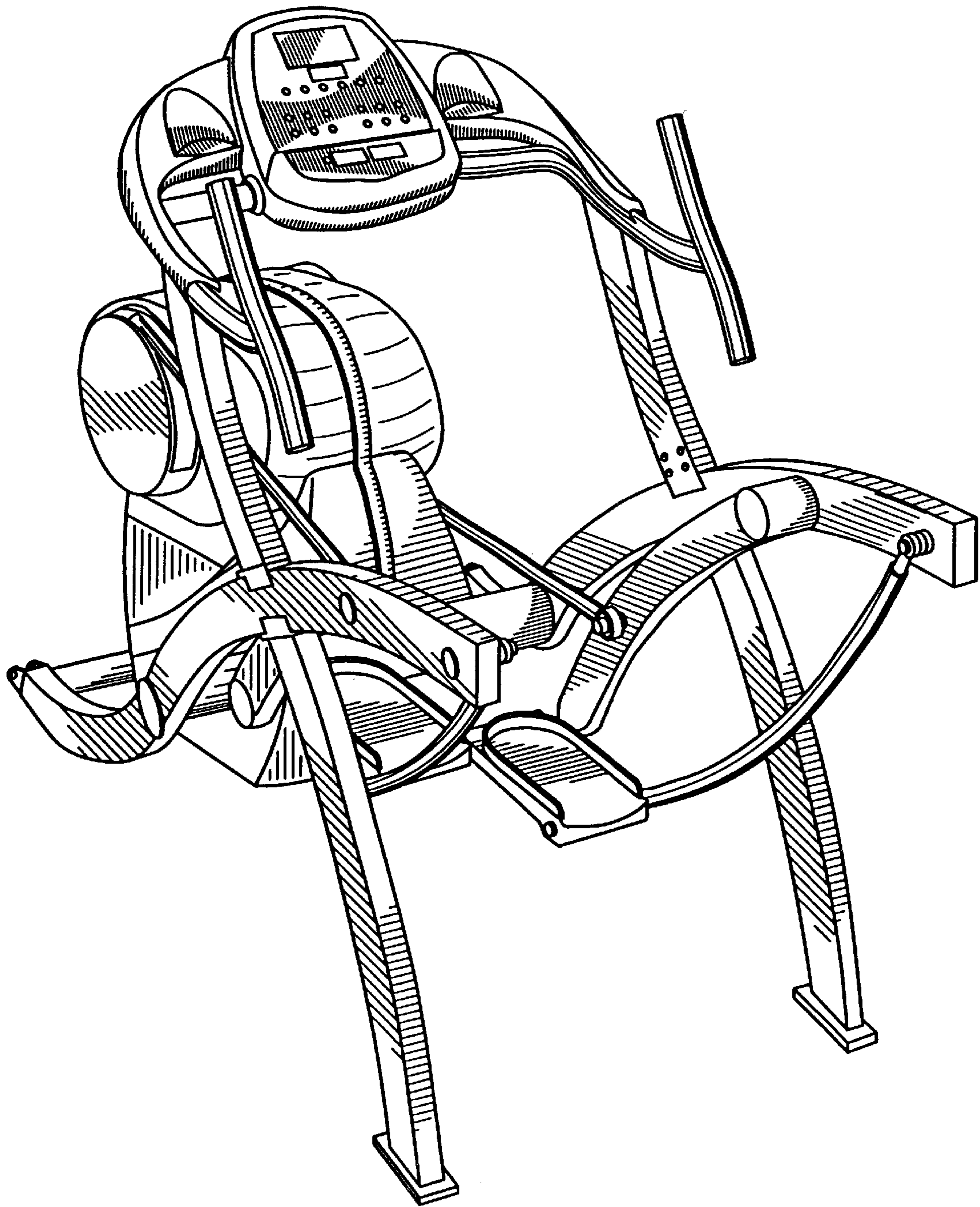


FIG. 1



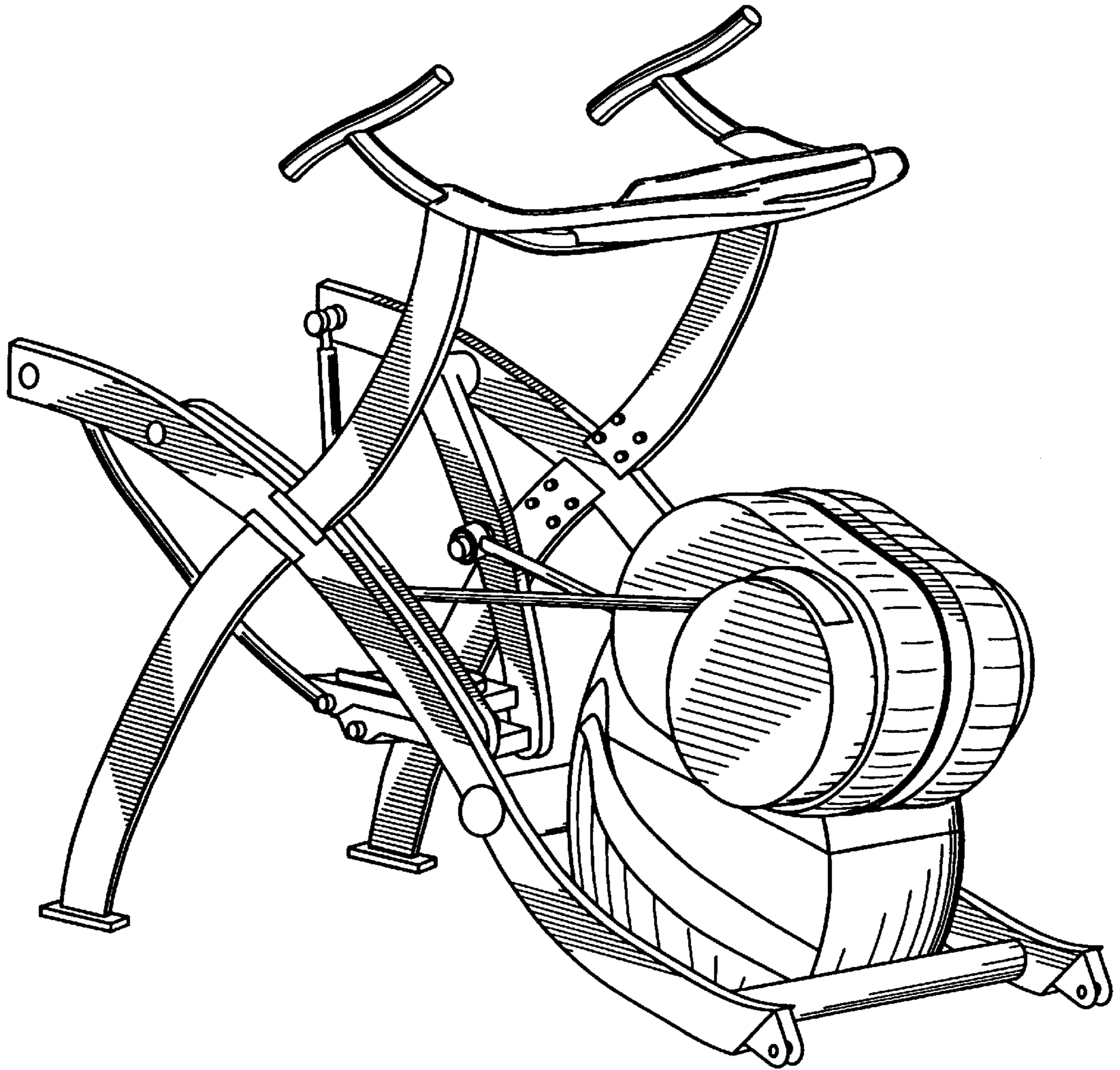


FIG. 2

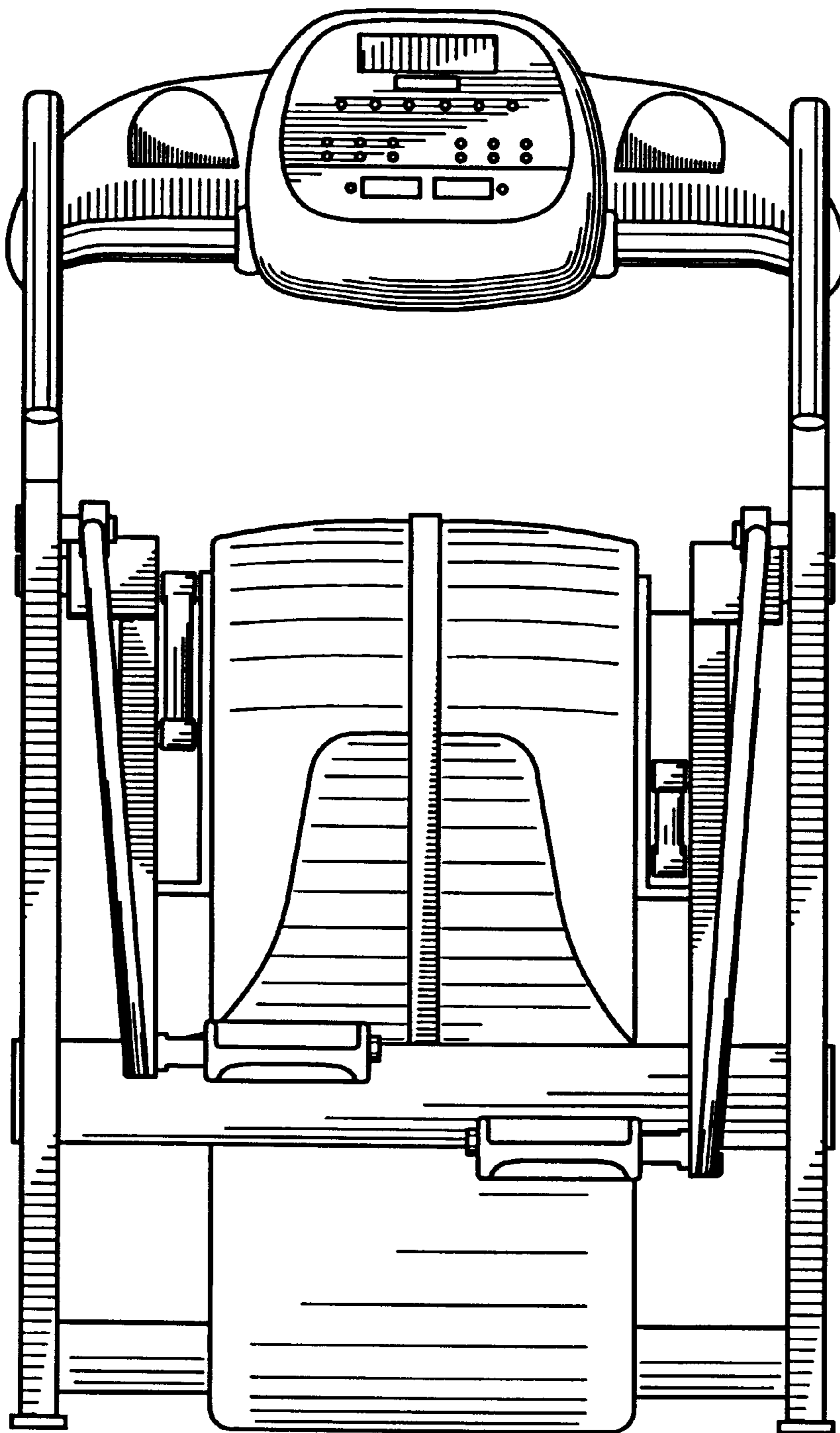


FIG. 3

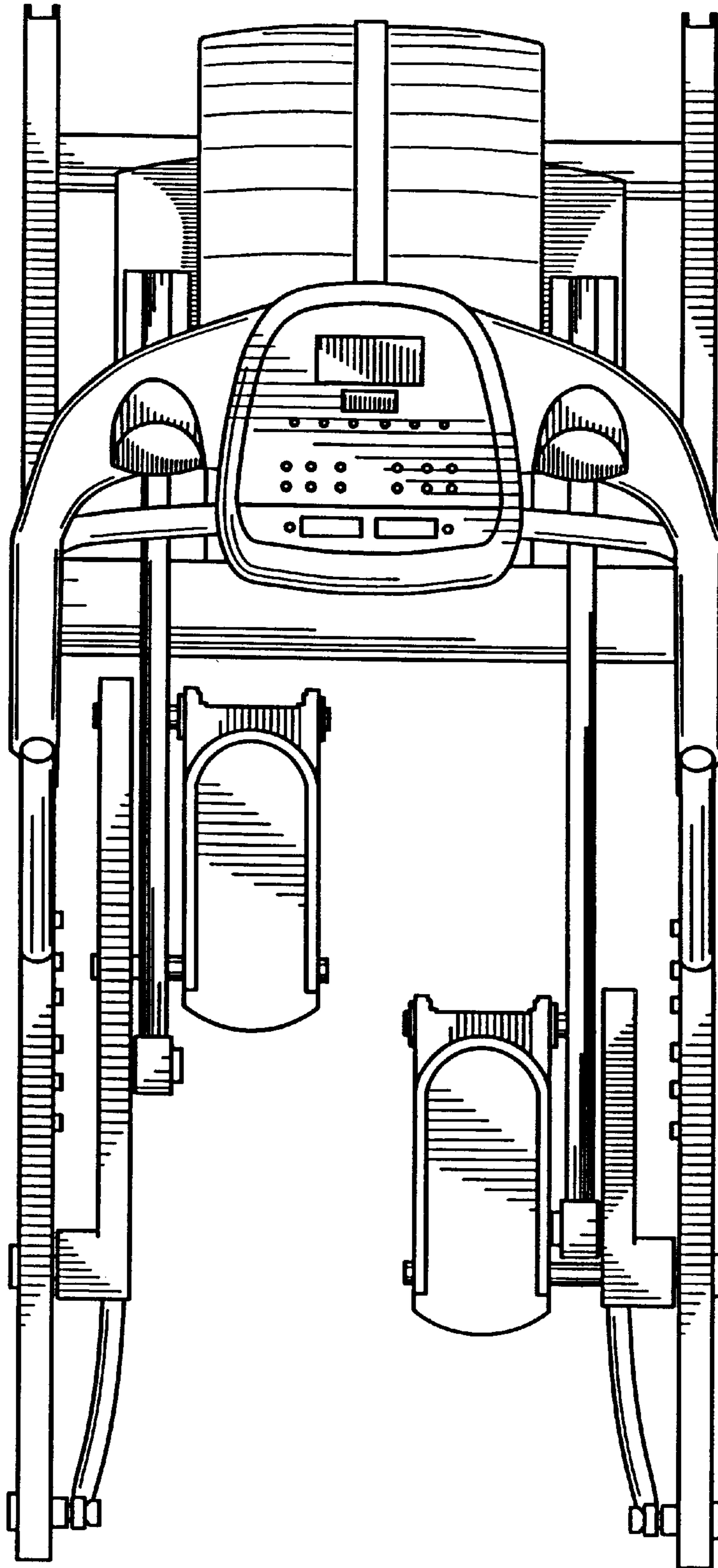


FIG. 4

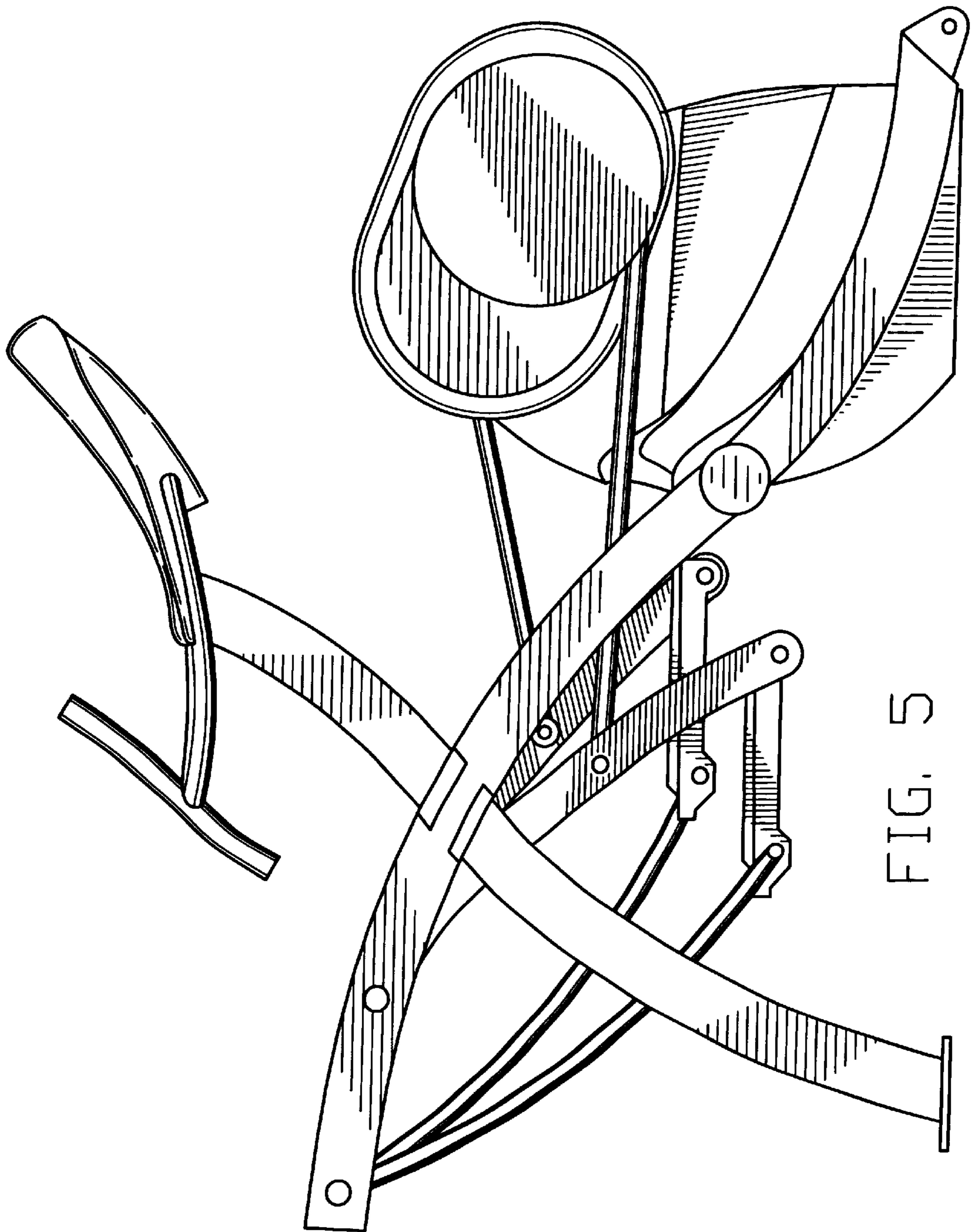


FIG. 5

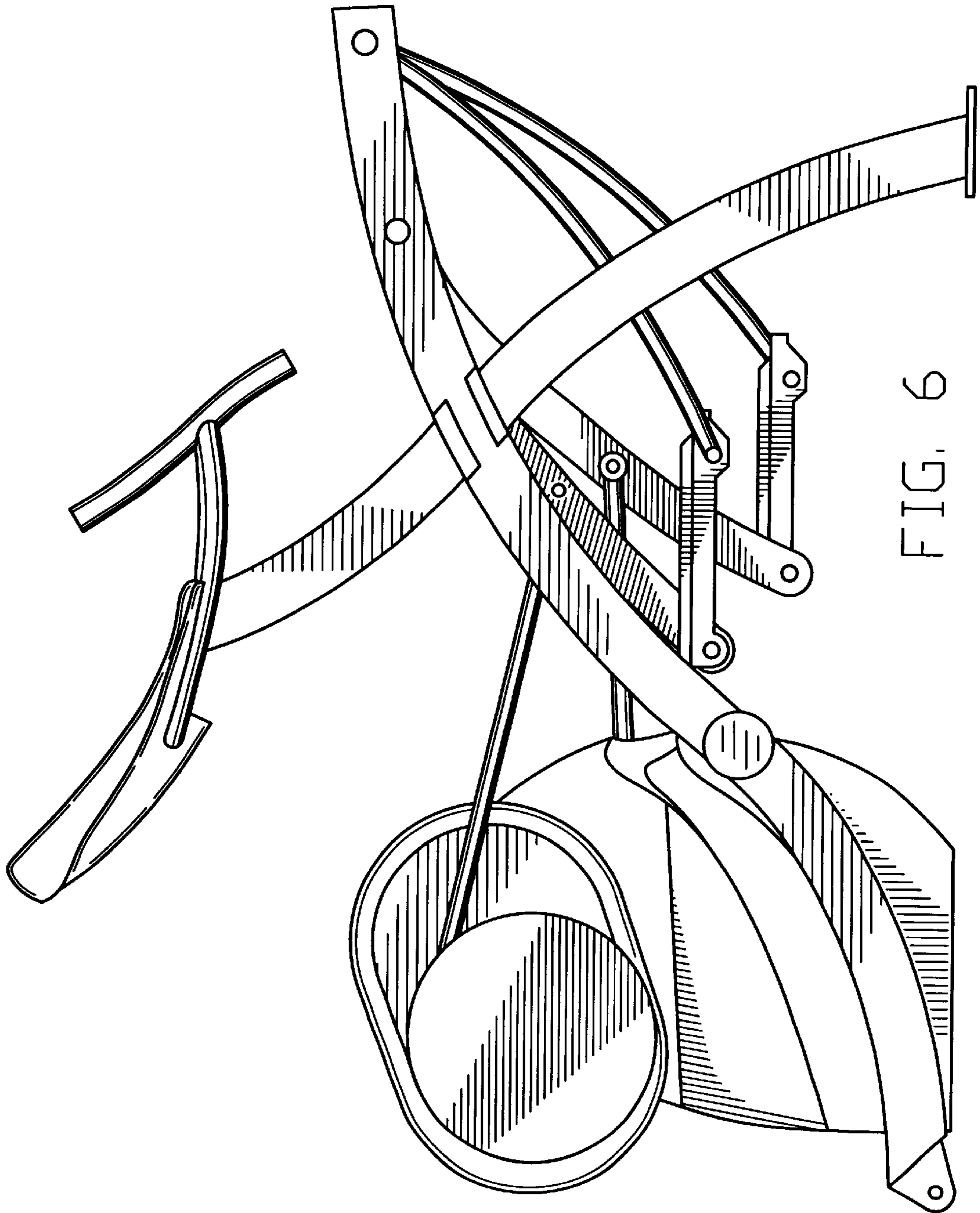


FIG. 6