



US00D478357S

(12) **United States Design Patent**
Penna

(10) **Patent No.:** **US D478,357 S**

(45) **Date of Patent:** **** Aug. 12, 2003**

(54) **DISC RING TOSS GAME**

(76) **Inventor:** **Thomas A. Penna**, 50 Dreyer Ave.,
Tonawanda, NY (US) 14150

(**) **Term:** **14 Years**

(21) **Appl. No.:** **29/164,667**

(22) **Filed:** **Jul. 29, 2002**

(51) **LOC (7) Cl.** **21-01**

(52) **U.S. Cl.** **D21/304**

(58) **Field of Search** D21/300-304,
D21/385, 386; 273/317, 317.1, 332, 336,
348, 398-403, 407, 408, 341.1; 473/569,
588

(56) **References Cited**

U.S. PATENT DOCUMENTS

2,626,062 A *	1/1953	Manzella	D21/304 X
3,119,619 A	1/1964	Frank		
D218,764 S	9/1970	Abraham		
3,556,526 A *	1/1971	Currie	D21/304 X
4,045,028 A *	8/1977	Dyess	273/338
D257,745 S	12/1980	Abraham		
D285,811 S	9/1986	Donahoe		
D288,828 S	3/1987	Romestan et al.		
D296,918 S	7/1988	Kirk		

5,052,693 A	10/1991	Hicks		
5,067,727 A *	11/1991	Crompton	273/336
D330,393 S	10/1992	Grant et al.		
D341,381 S	11/1993	Niebling		
D341,382 S *	11/1993	Deming et al.	D21/304
D370,032 S	5/1996	Bidwell et al.		
5,620,185 A	4/1997	Robertson		
5,873,573 A	2/1999	Beatty, Jr.		
D423,057 S	4/2000	Mooney		
6,135,455 A *	10/2000	McNally	273/336
D462,092 S *	8/2002	Temple	D21/303

* cited by examiner

Primary Examiner—Prabhakar Deshmukh

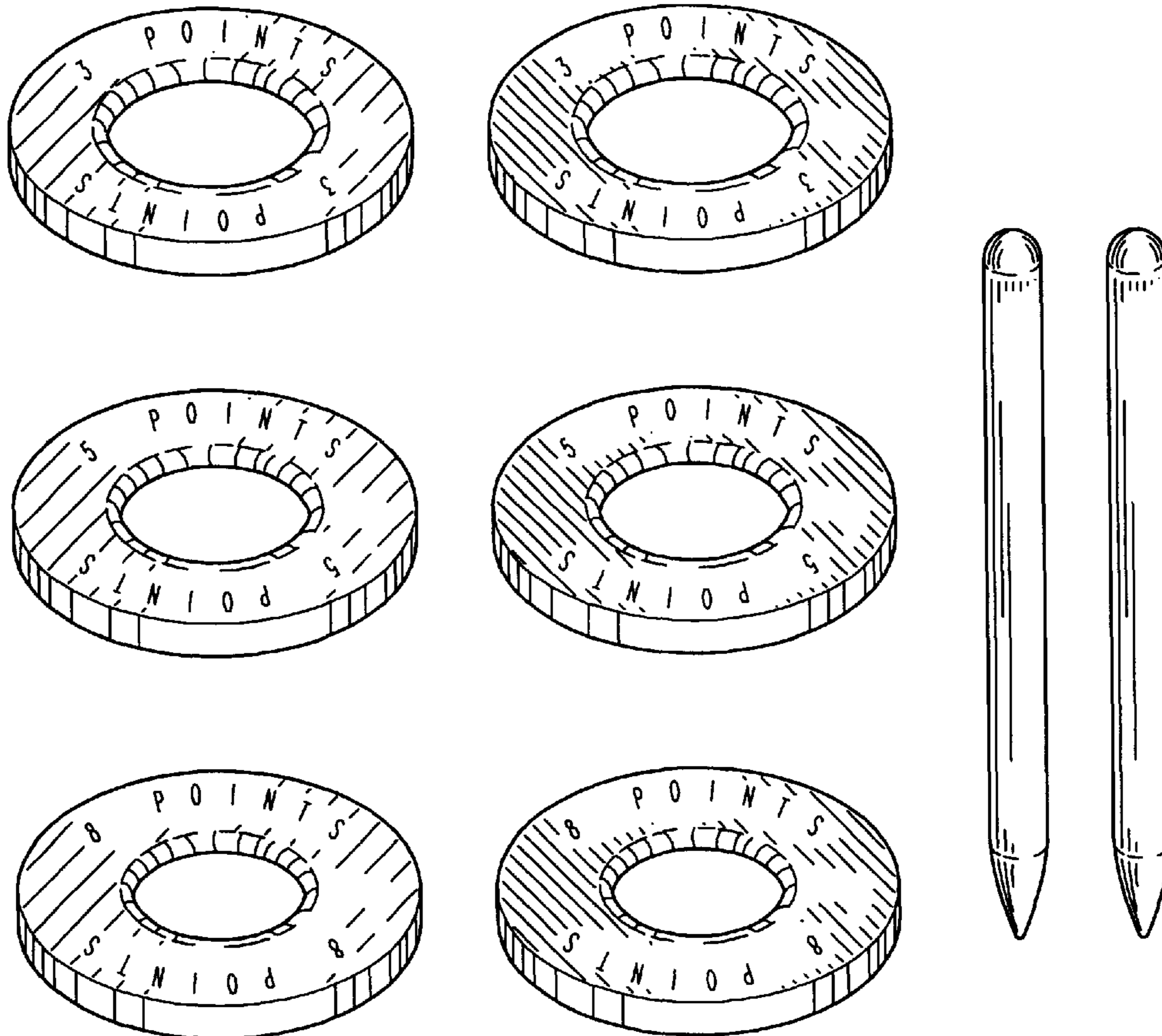
(57) **CLAIM**

The ornamental design for disc ring toss game, as shown and described.

DESCRIPTION

FIG. 1 is a perspective view of disc ring toss game showing my new design;
FIG. 2 is a top plan view thereof;
FIG. 3 is a bottom plan view; and,
FIG. 4 is a front elevational view thereof; the opposite side being a mirror image thereof.

1 Claim, 4 Drawing Sheets



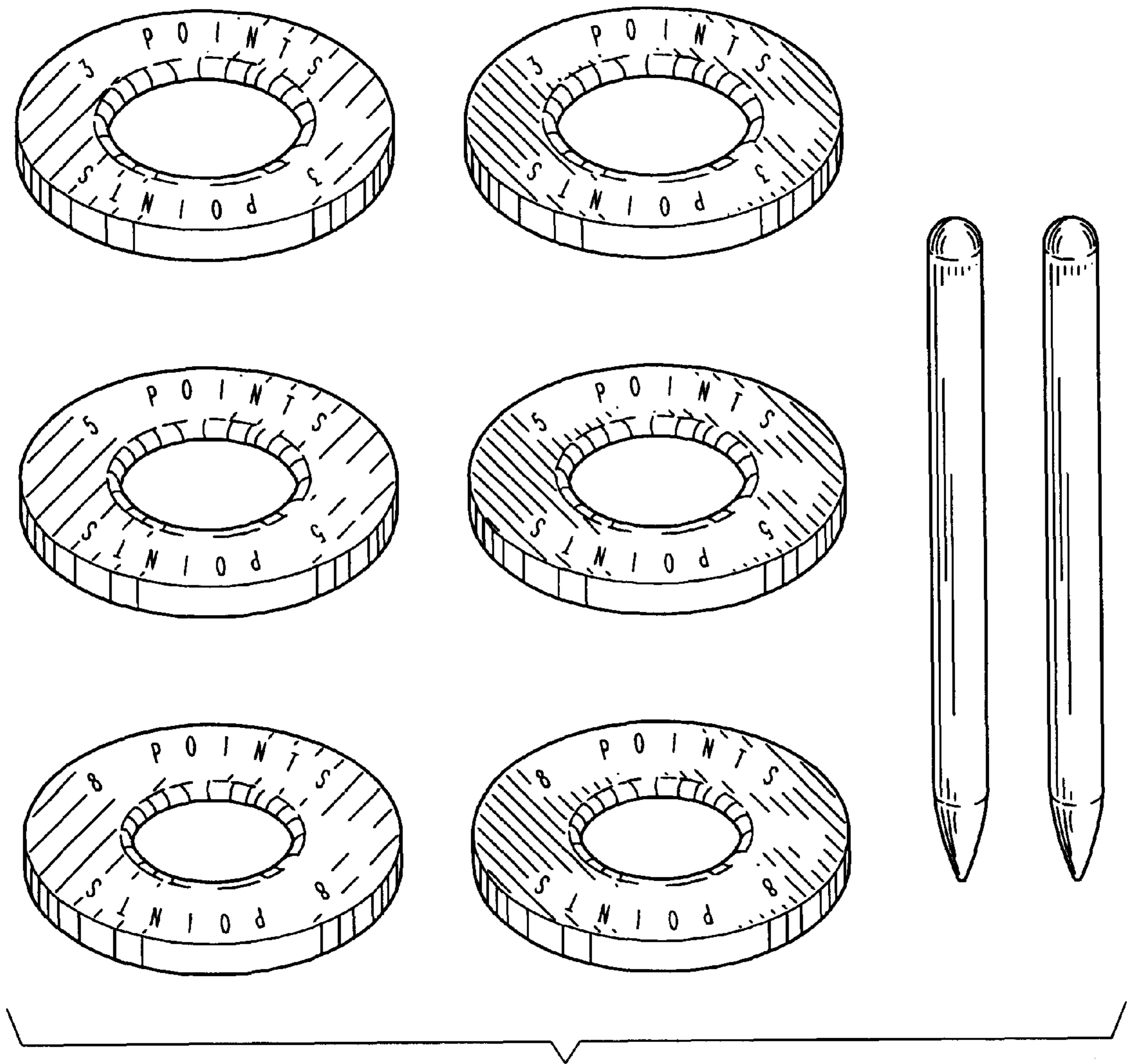


Fig. 1

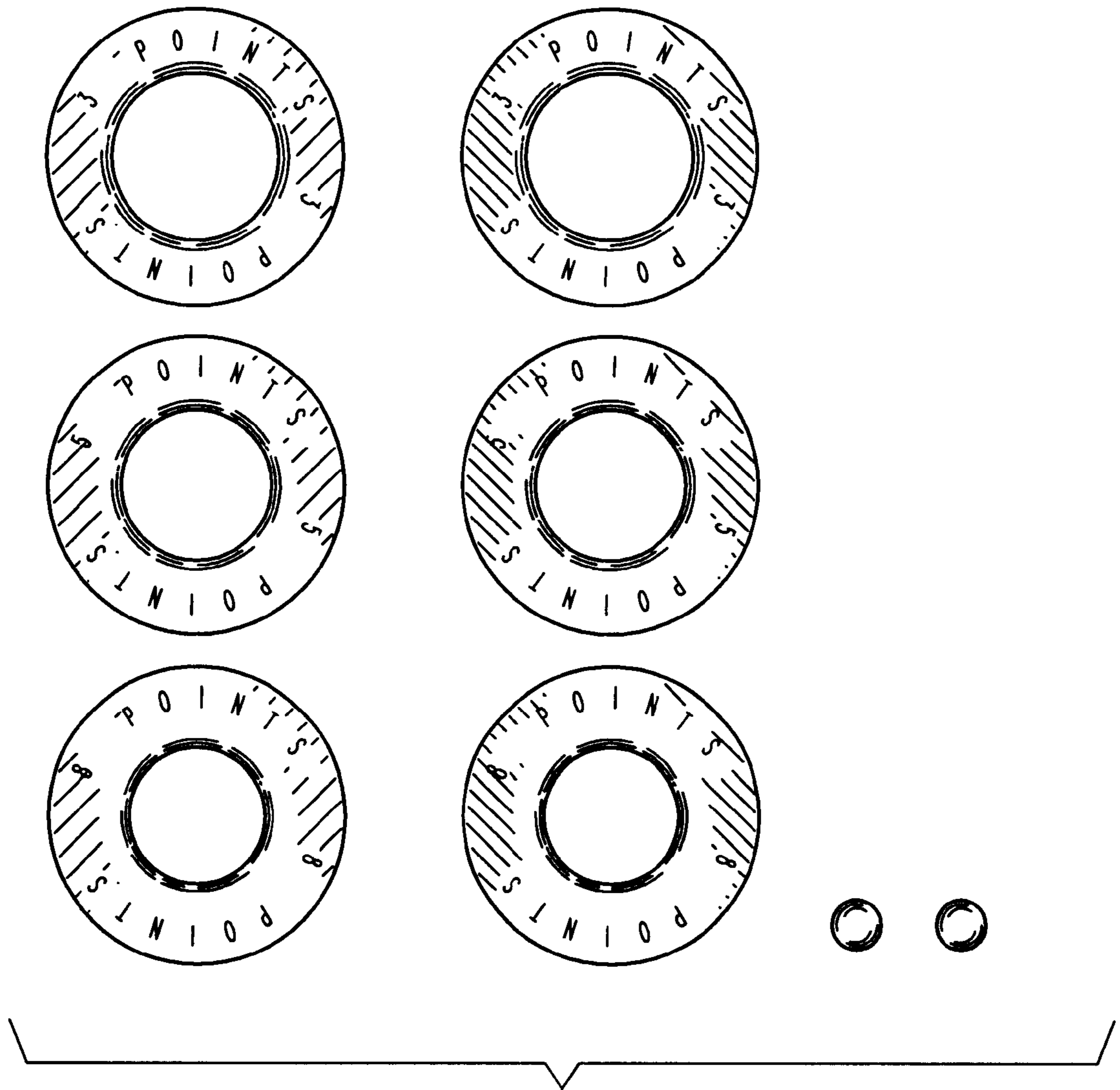


Fig. 2

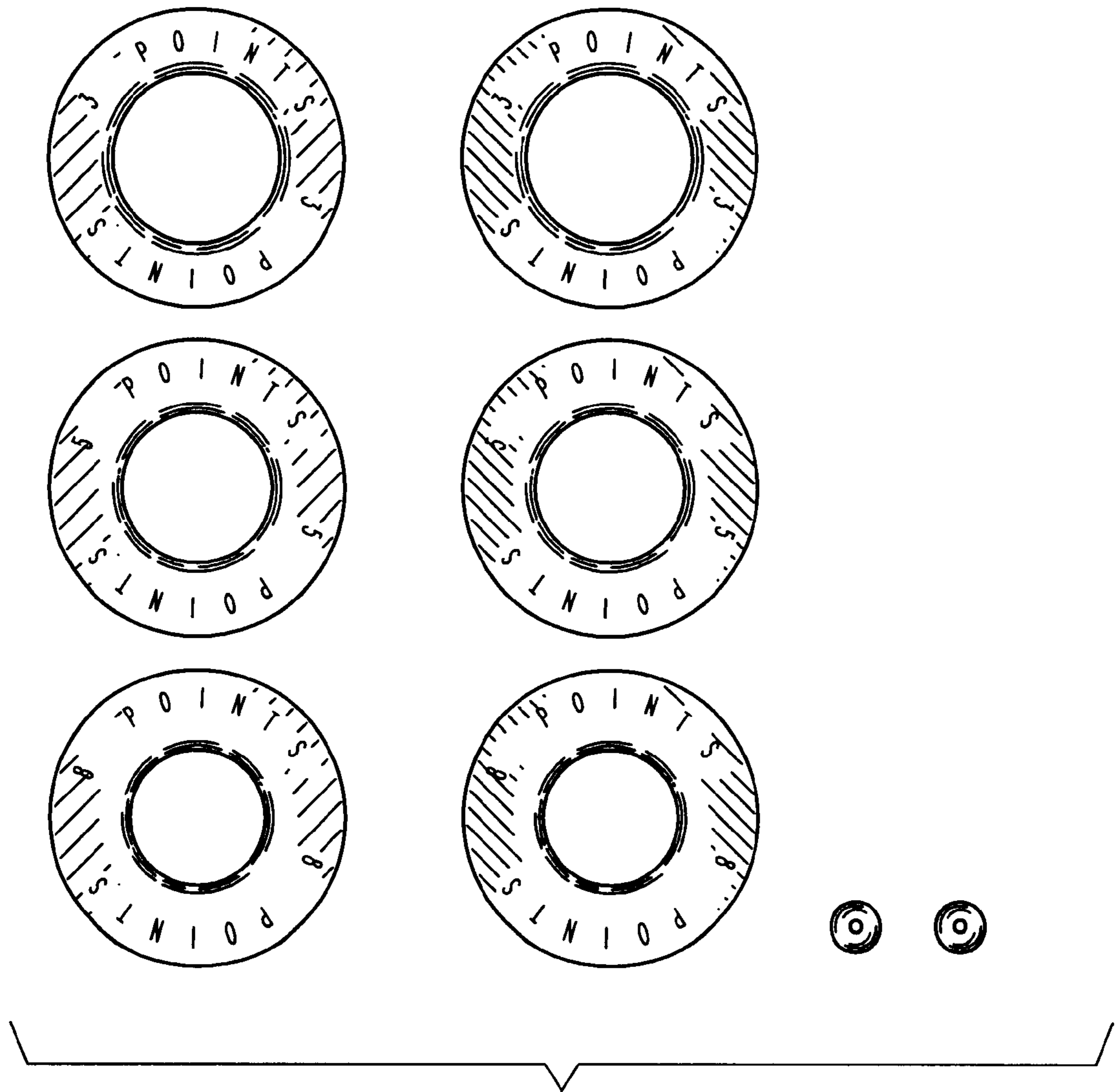


Fig. 3

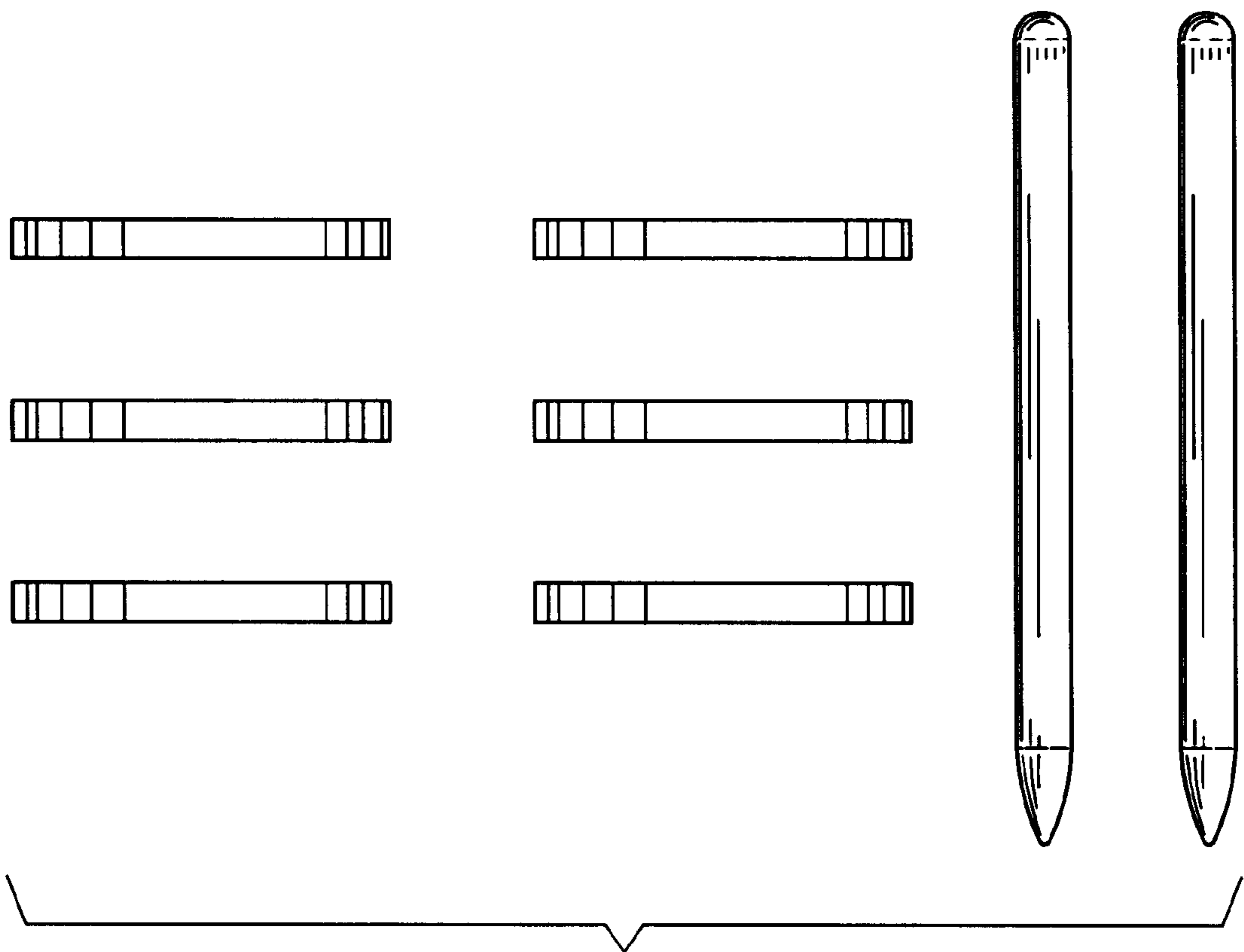


Fig. 4