



US00D478355S

(12) **United States Design Patent**  
**Chen**

(10) **Patent No.:** **US D478,355 S**

(45) **Date of Patent:** **\*\* Aug. 12, 2003**

(54) **INCLINE PAPER SORTER**

(75) **Inventor:** **Peter Chen**, West Windsor, NJ (US)

(73) **Assignee:** **Officemate International Corp.**,  
Edison, NJ (US)

(\*\*) **Term:** **14 Years**

(21) **Appl. No.:** **29/169,660**

(22) **Filed:** **Oct. 24, 2002**

(51) **LOC (7) Cl.** ..... **19-02**

(52) **U.S. Cl.** ..... **D19/90; D19/75**

(58) **Field of Search** ..... **D19/65, 75, 77,**  
**D19/78, 86, 90, 91, 95, 99, 100; 211/10,**  
**11, 40, 42, 43, 41.1, 41.12, 41.13, 45, 50,**  
**52, 55, 87.01, 94.01, 126.13, 184; 206/425;**  
**312/196, 247**

(56) **References Cited**

**U.S. PATENT DOCUMENTS**

D176,292 S \* 12/1955 Vernon ..... D19/78

D231,137 S \* 4/1974 Gustavsberg ..... D19/90

D258,511 S \* 3/1981 Ashton ..... D19/90

D411,860 S \* 7/1999 Stravitz ..... D19/75

D432,171 S \* 10/2000 Stravitz ..... D19/90

6,227,384 B1 \* 5/2001 Saylor et al. .... 211/50

\* cited by examiner

*Primary Examiner*—Martie K. Holtje

(74) *Attorney, Agent, or Firm*—Daniel S. Kirshner

(57) **CLAIM**

The ornamental design for an incline paper sorter, as shown.

**DESCRIPTION**

FIG. 1 is a front perspective view of the incline paper sorter showing the design;

FIG. 2 is a front elevational view thereof;

FIG. 3 is a rear elevational view thereof;

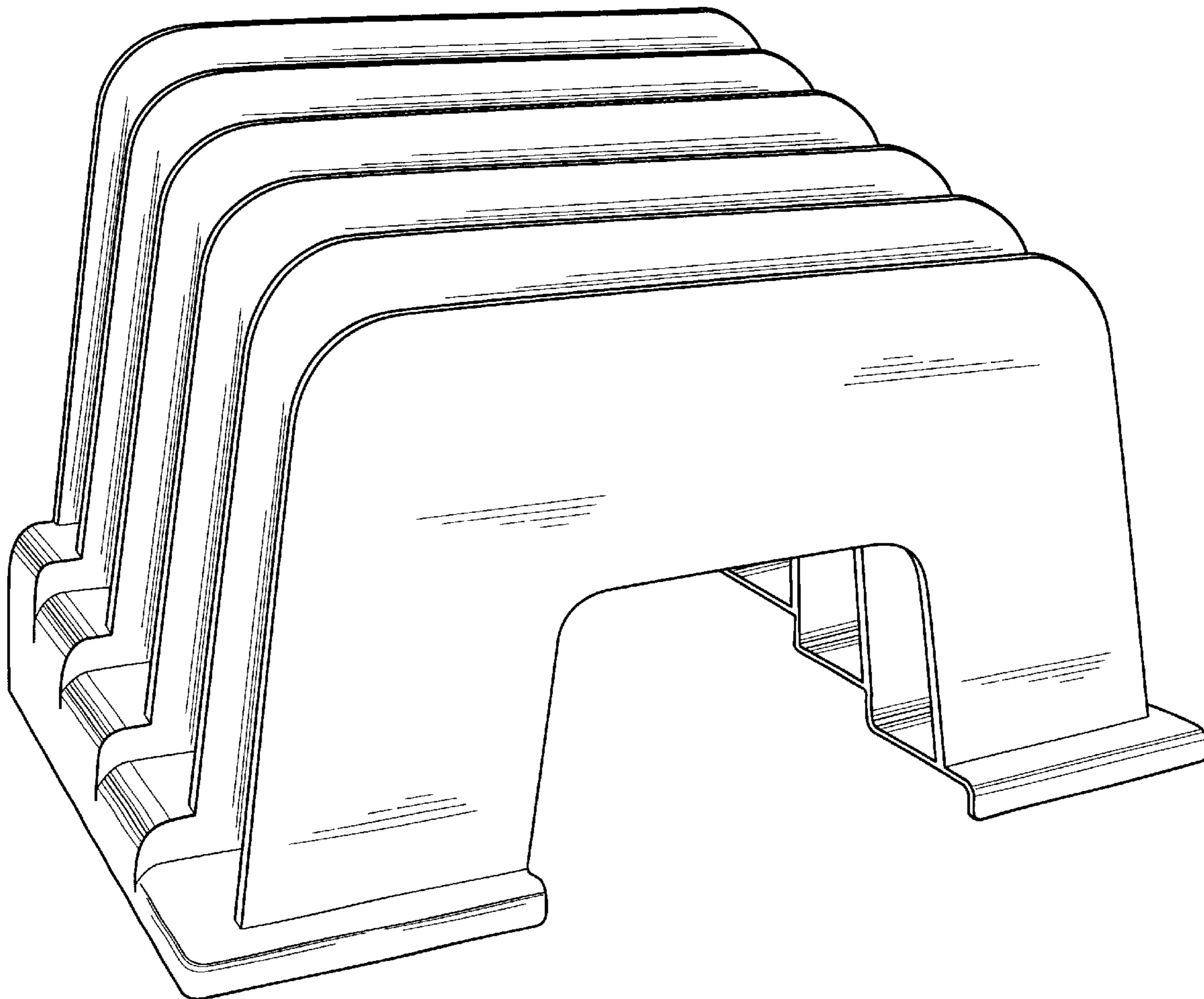
FIG. 4 is a right side elevational view thereof;

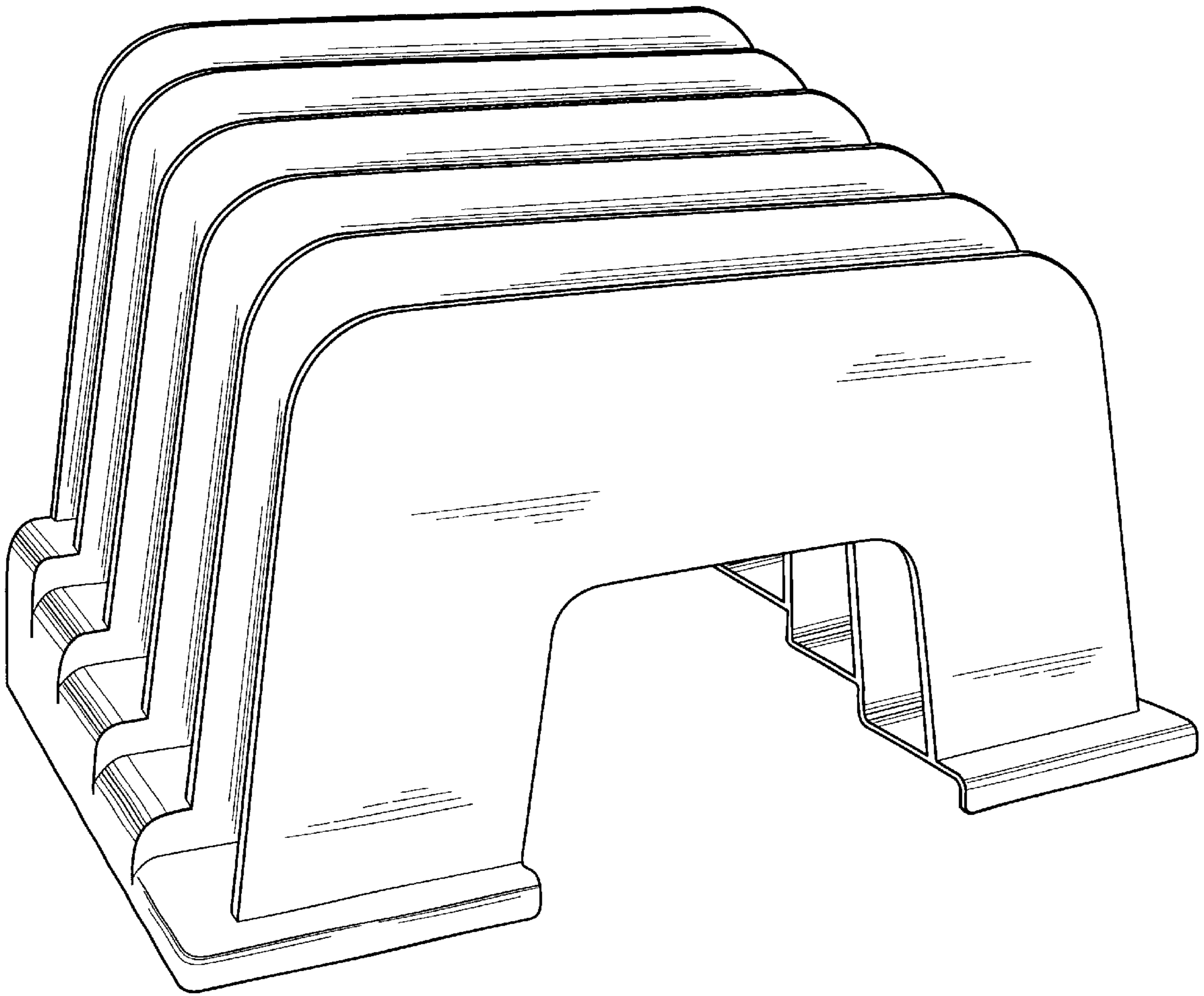
FIG. 5 is a left side elevational view thereof;

FIG. 6 is a top plan view thereof; and,

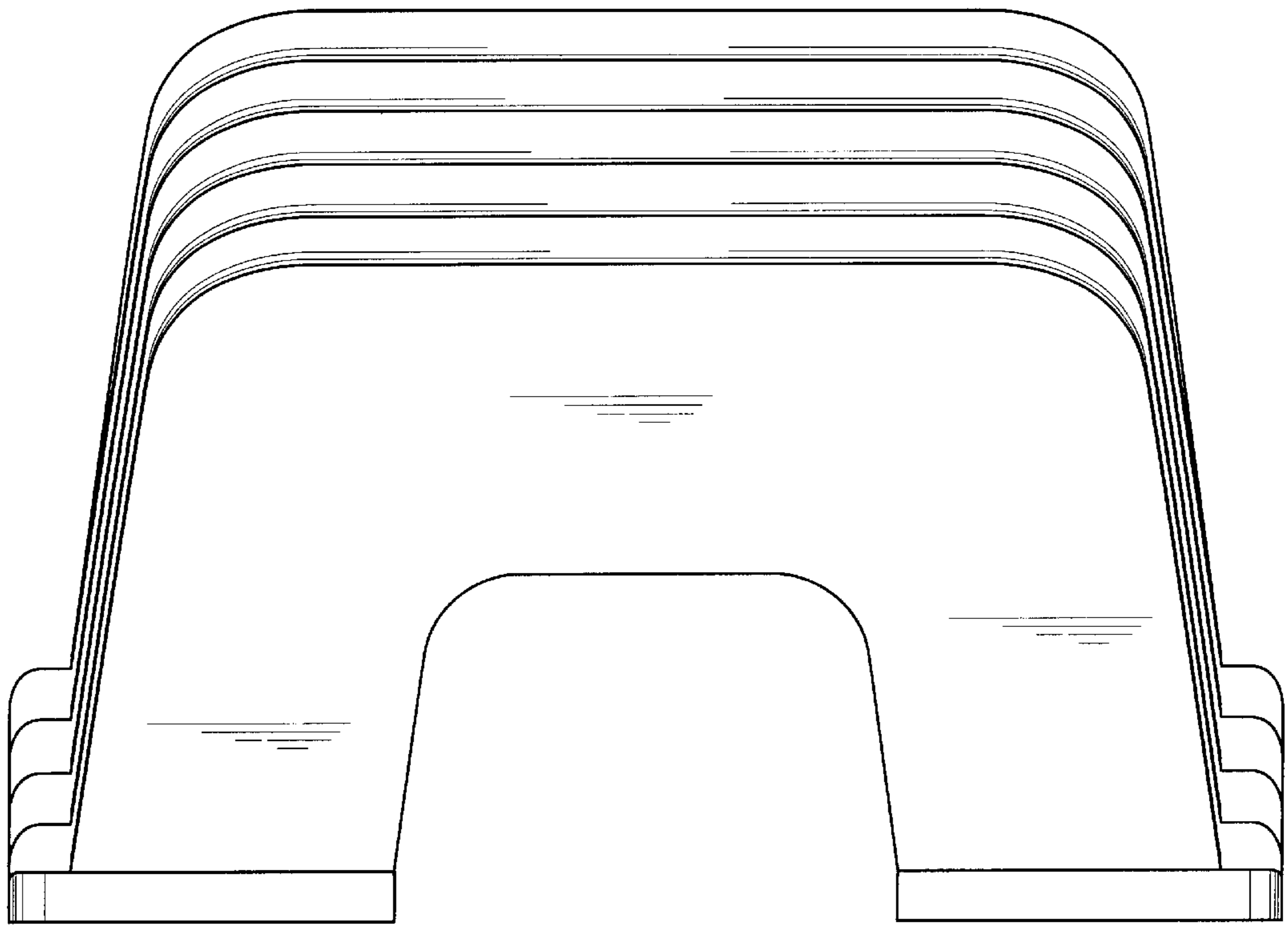
FIG. 7 is a bottom plan view thereof.

**1 Claim, 5 Drawing Sheets**

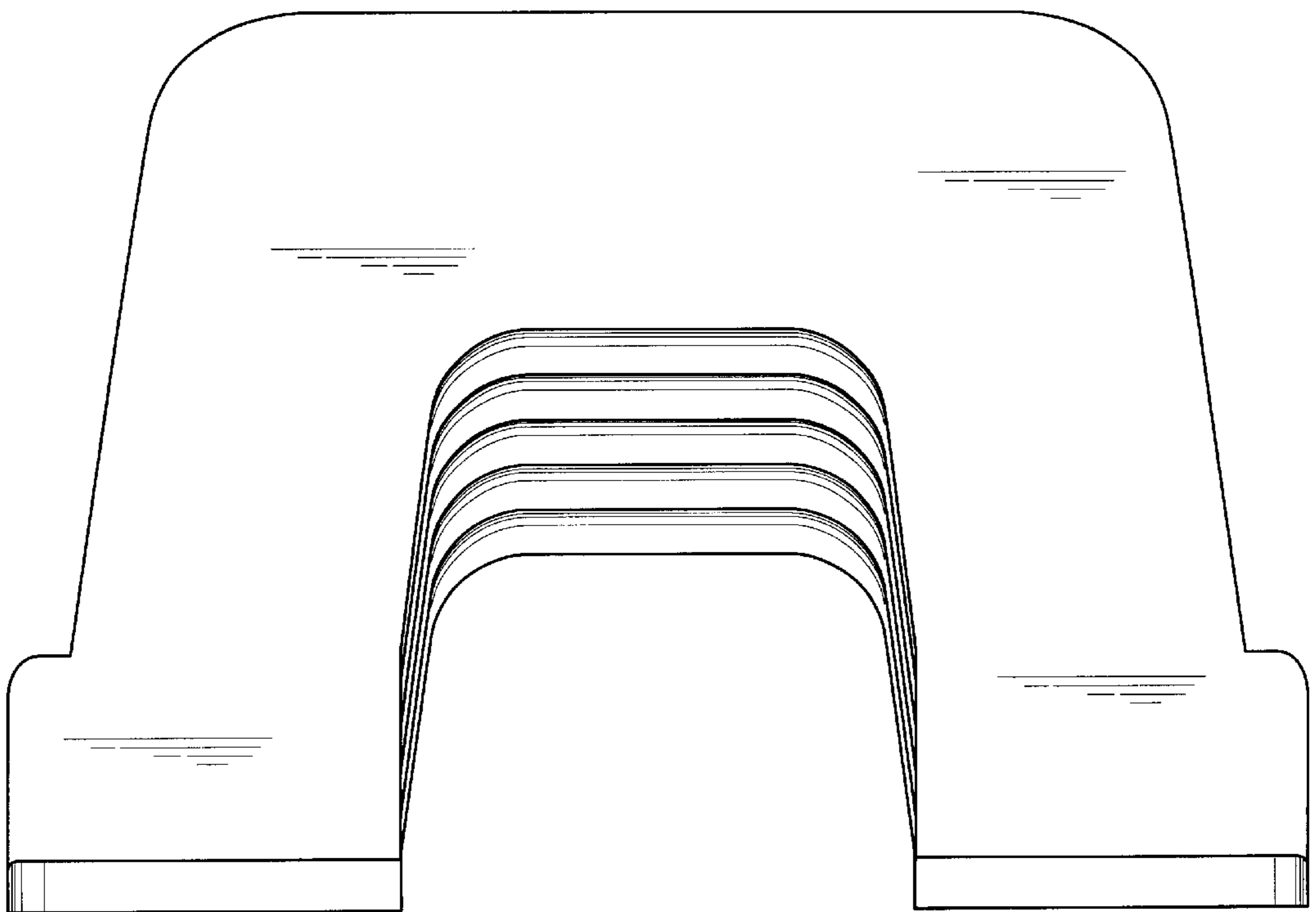




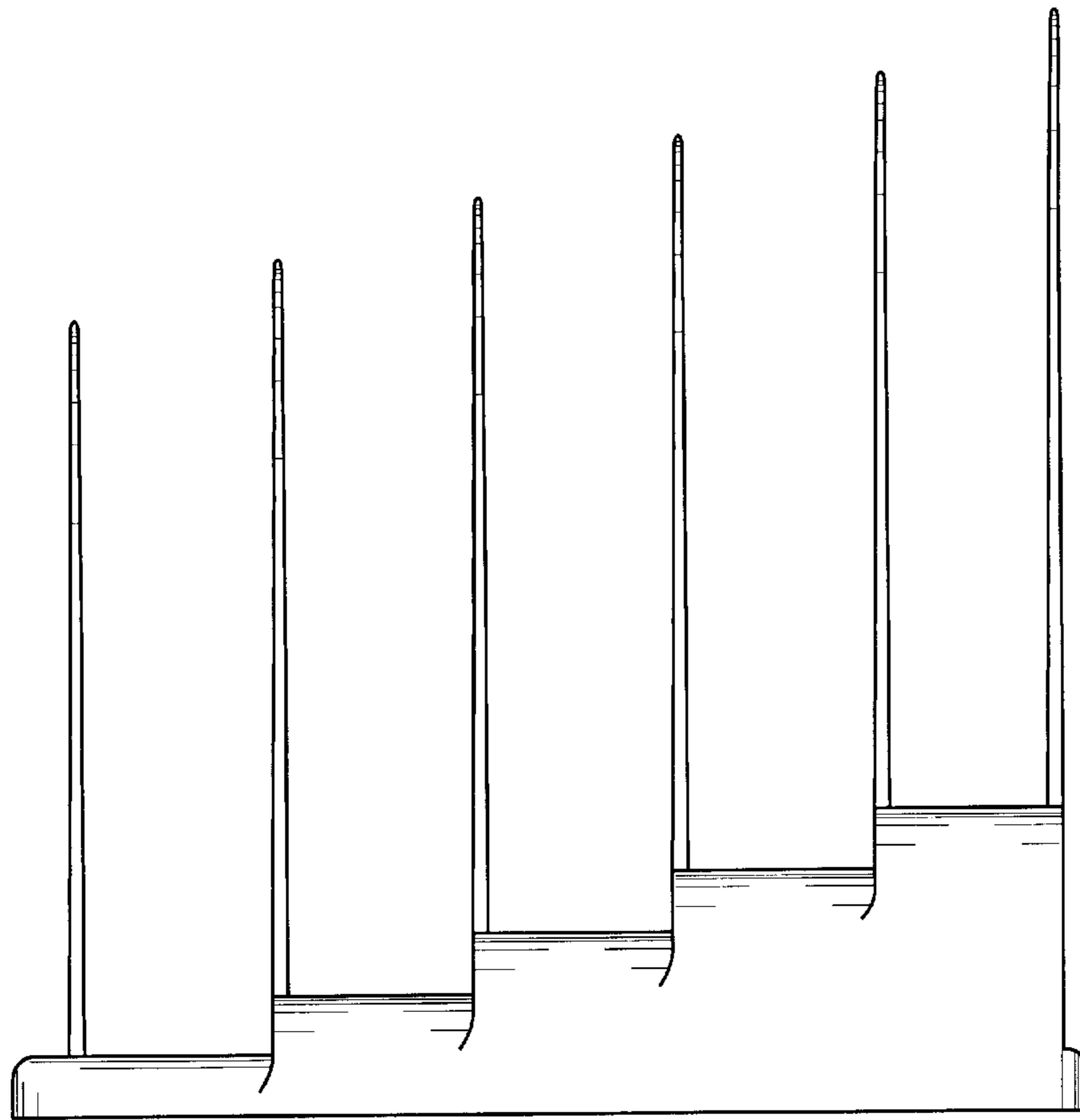
*FIG. 1*



*FIG. 2*

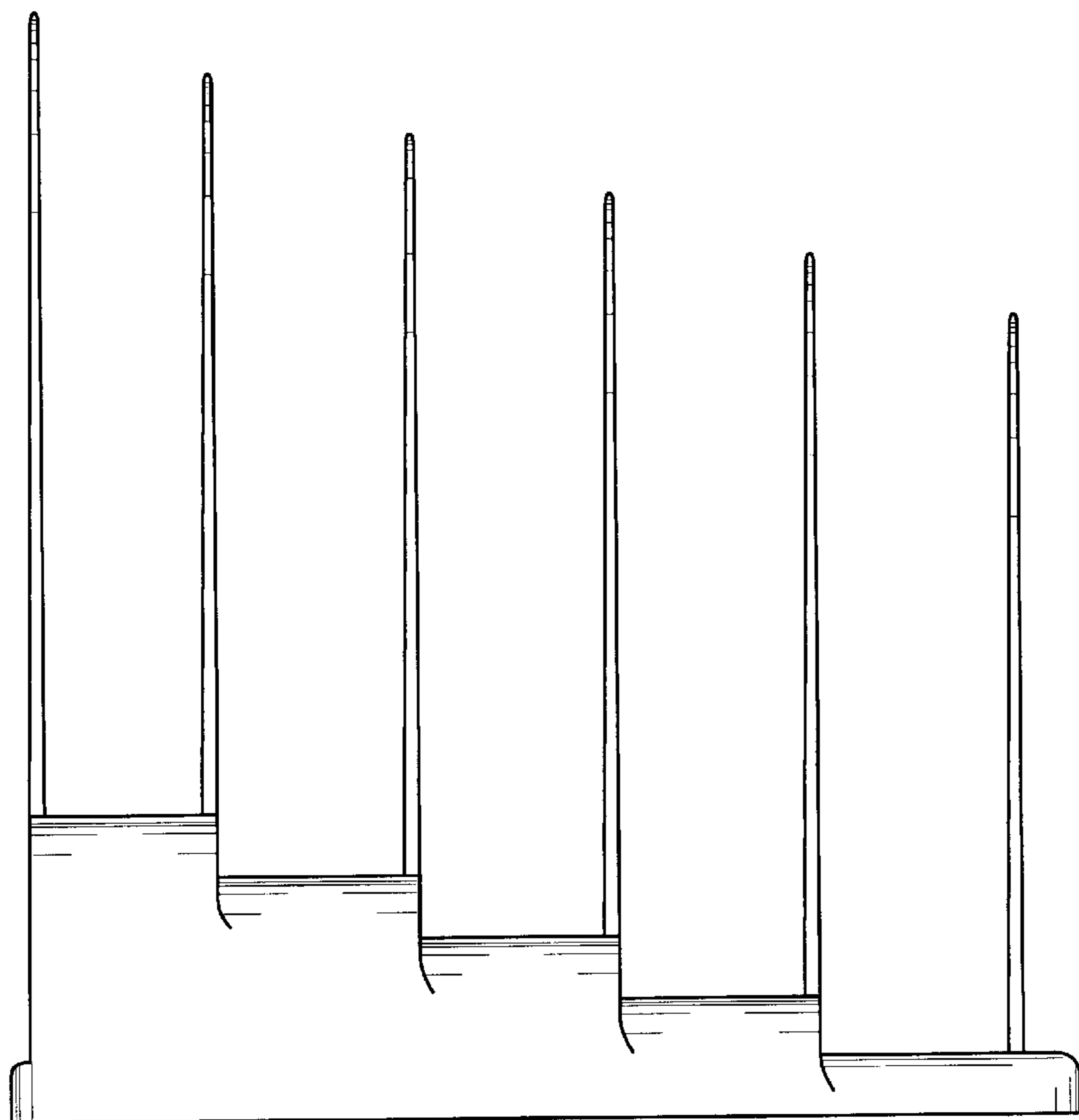


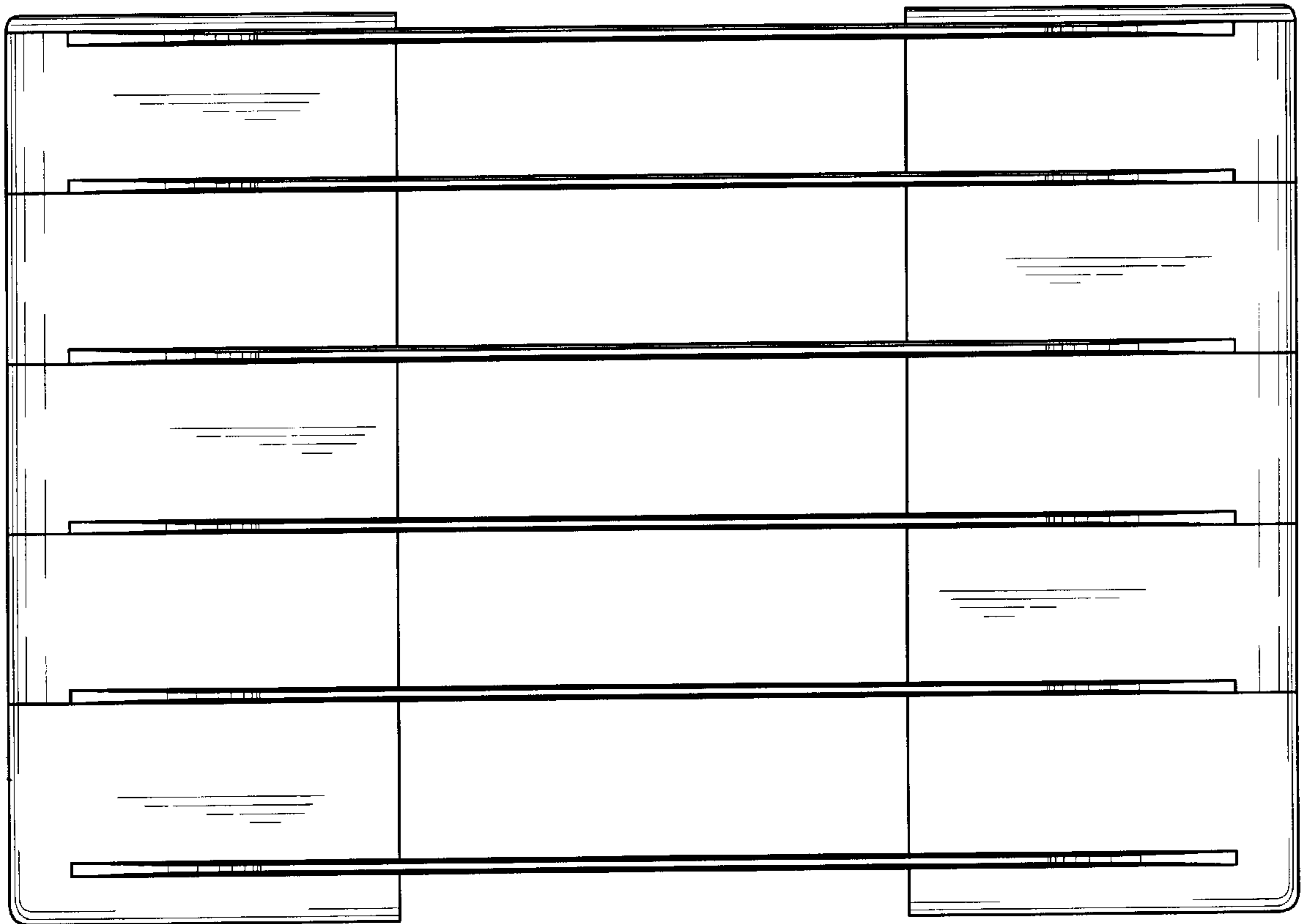
*FIG. 3*



*FIG. 4*

*FIG. 5*





*FIG. 6*



*FIG. 7*