



US00D478352S

(12) **United States Design Patent**
Huang

(10) **Patent No.:** **US D478,352 S**

(45) **Date of Patent:** **** Aug. 12, 2003**

(54) **PAPER CLIP**

(75) Inventor: **Jin Huang**, No. 9 Zheng Xue Road
(West), Ninghai County, Zhejiang
Province 315600 (CN)

(73) Assignee: **Jin Huang**, Ninghai County (CN)

(**) Term: **14 Years**

(21) Appl. No.: **29/165,101**

(22) Filed: **Aug. 5, 2002**

(51) **LOC (7) Cl.** **19-02**

(52) **U.S. Cl.** **D19/65; D19/86; D8/395**

(58) **Field of Search** **D8/394, 395; D19/65,**
D19/75, 86, 90, 91, 99, 100; 24/67 R, 67.1-67.9,
67.11, 545, 546, 563, 553, 554, 557, 558,
565

(56) **References Cited**

U.S. PATENT DOCUMENTS

1,150,073	A	*	8/1915	Spengler	24/565
4,332,060	A	*	6/1982	Sato	24/67.9
4,532,680	A	*	8/1985	Hashimoto	24/67 R
4,696,081	A	*	9/1987	Yen	24/558
4,761,862	A	*	8/1988	Hiromori	24/67.9
D321,210	S	*	10/1991	Hiromori	D19/65
5,249,336	A	*	10/1993	Miller	24/67.5
5,533,236	A	*	7/1996	Tseng	24/67.5
5,806,147	A	*	9/1998	Sato	24/67.9
5,896,624	A	*	4/1999	Horswell	24/67.5
5,950,283	A	*	9/1999	Sato	24/67 R

6,226,840	B1	*	5/2001	Lu	24/67.5
6,374,463	B1	*	4/2002	Kaufman	24/67.5
D468,355	S	*	1/2003	Danella et al.	D19/65

* cited by examiner

Primary Examiner—Martie K. Holtje

(74) *Attorney, Agent, or Firm*—Kaplan & Gilman, LLP

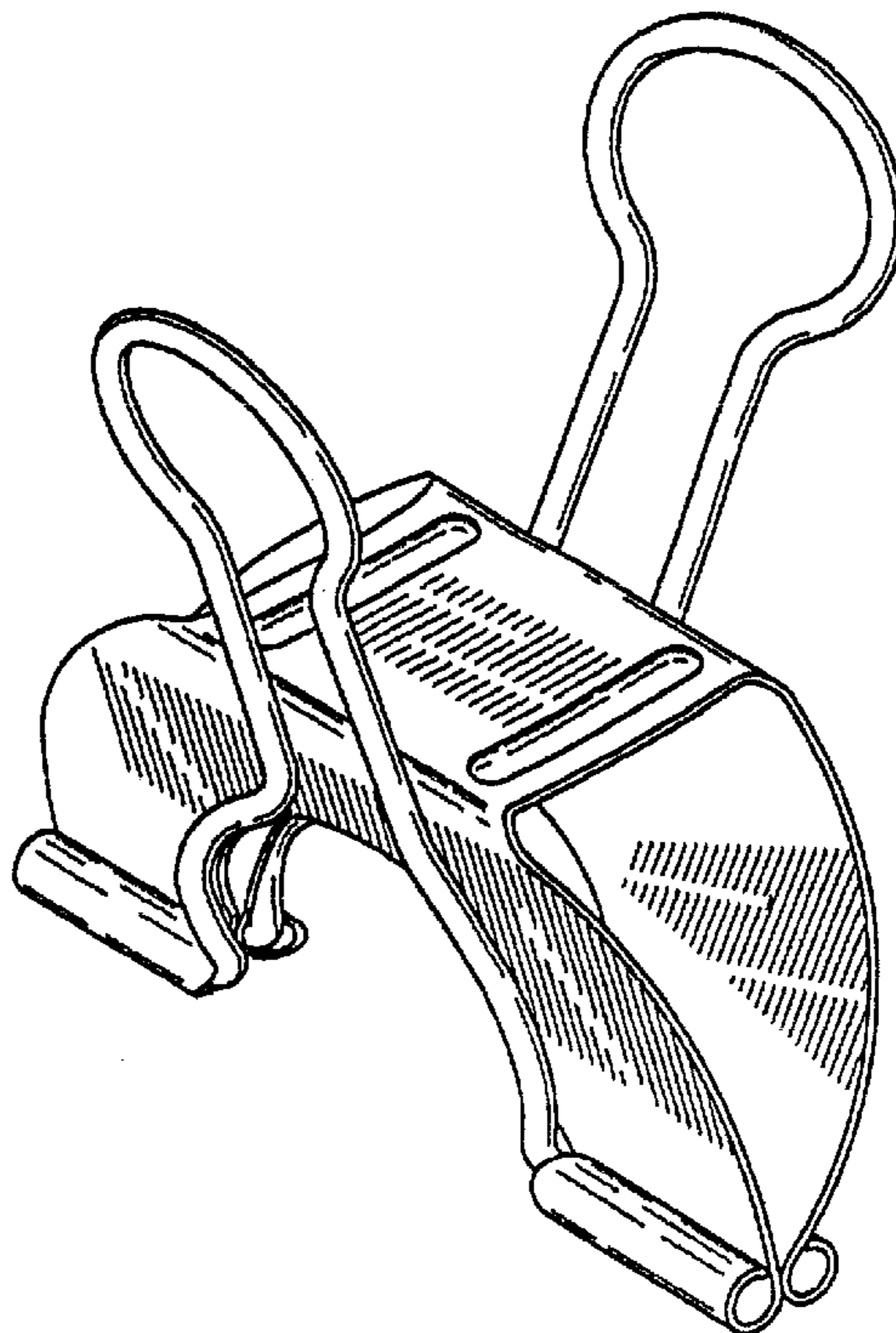
(57) **CLAIM**

The ornamental design for a paper clip, as shown and described.

DESCRIPTION

FIG. 1 is a front view of a paper clip showing our new design, the rear view being identical;
 FIG. 2 is a bottom view of the paper clip as shown in FIG. 1;
 FIG. 3 is a top view of the paper clip as shown in FIG. 1;
 FIG. 4 is a left-side view of the paper clip as shown in FIG. 1, the right view being identical;
 FIG. 5 is a side of the paper clip as shown in FIG. 1, showing a state with a pair of pinches thereof down;
 FIG. 6 is a bottom front left-side perspective view of the paper clip as shown in FIG. 1;
 FIG. 7 is a top front right-side perspective view of the paper clip as shown in FIG. 1; and,
 FIG. 8 is a perspective view of the paper clip as shown in FIG. 1, in which the broken lines showing clipped paper are for illustrative purpose only and form no part of the claimed design.

1 Claim, 4 Drawing Sheets



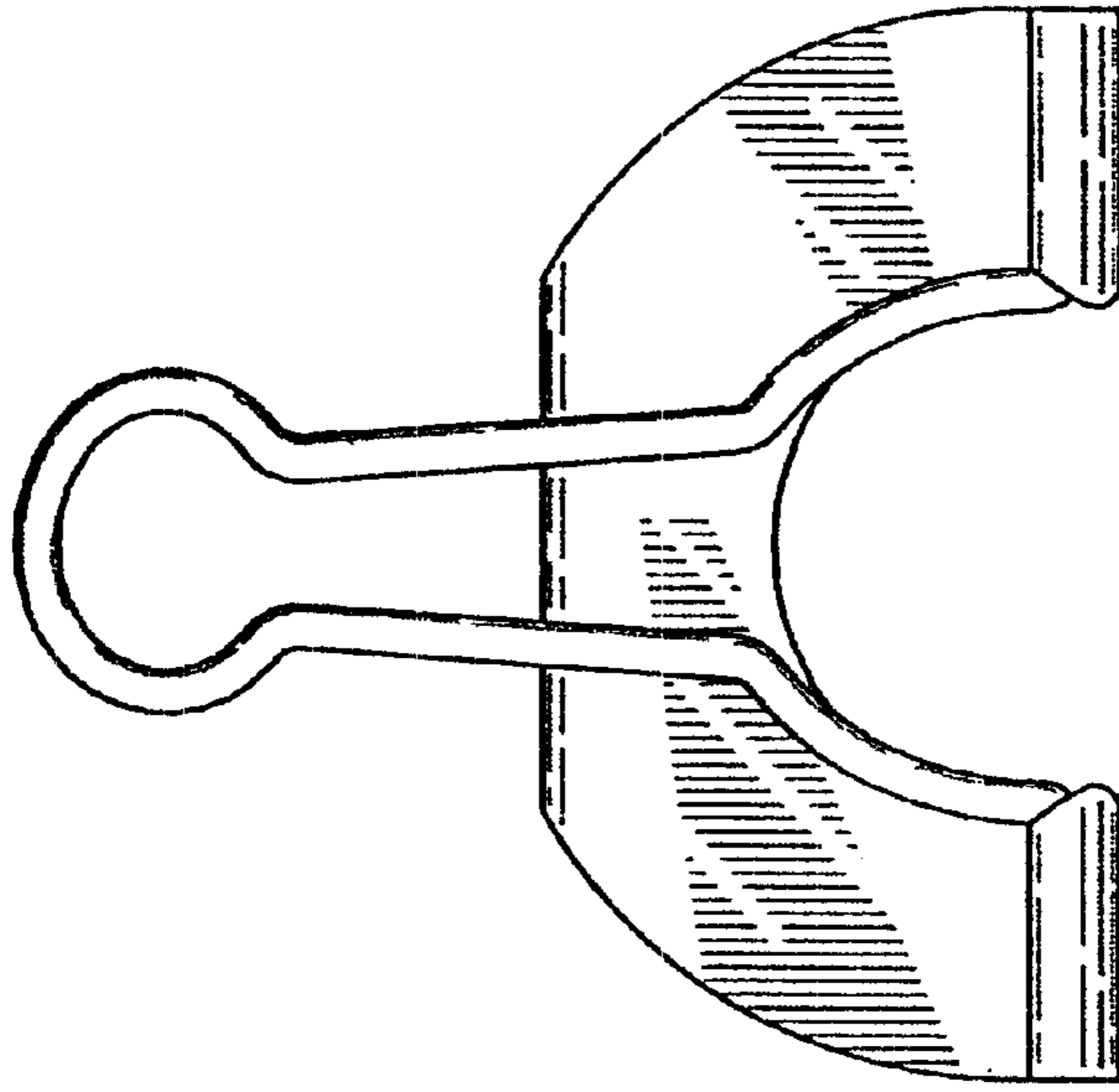


FIG. 1

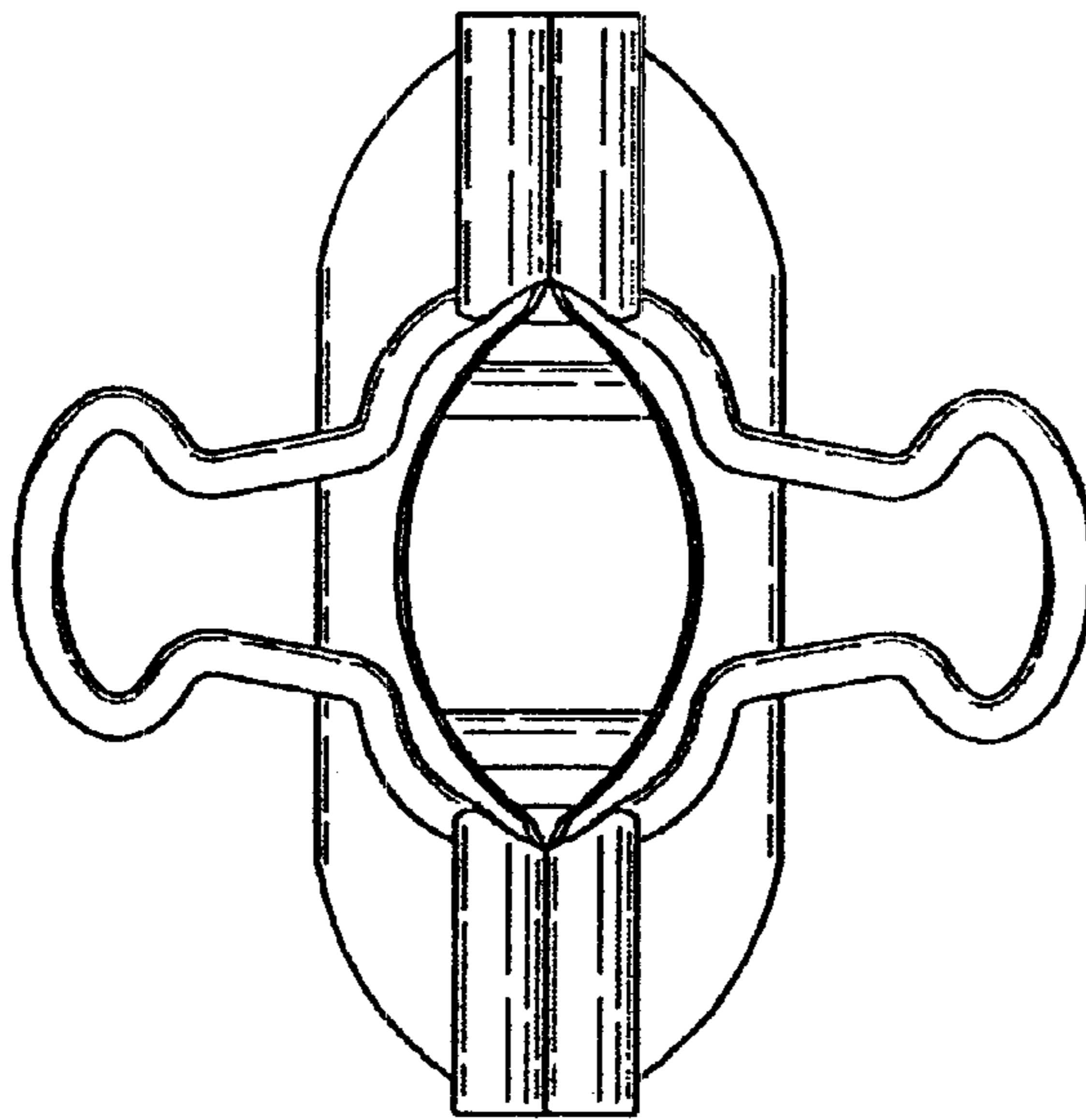


FIG. 2

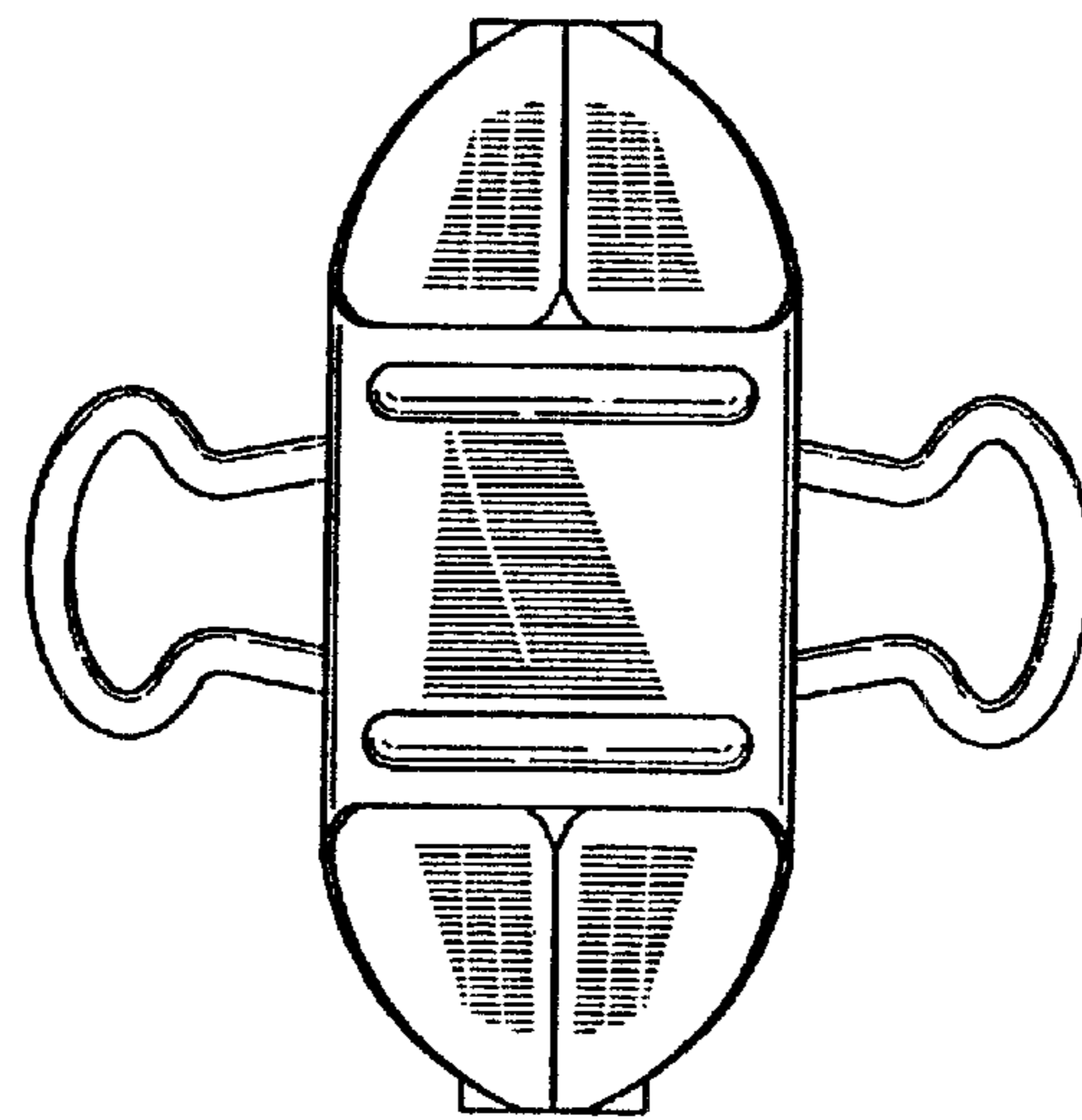


FIG. 3

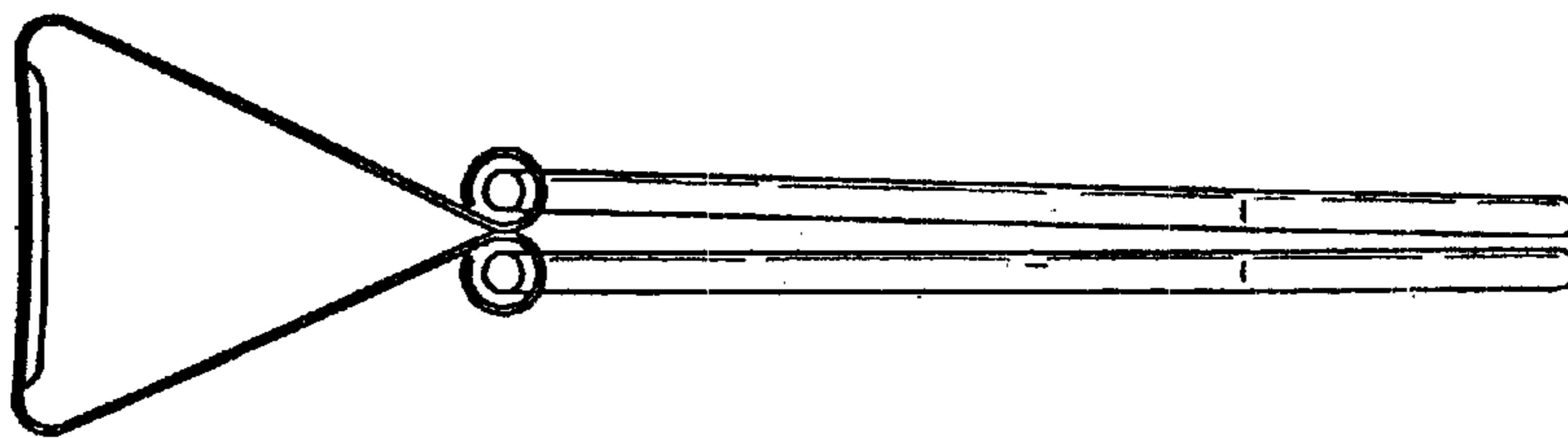


FIG. 5

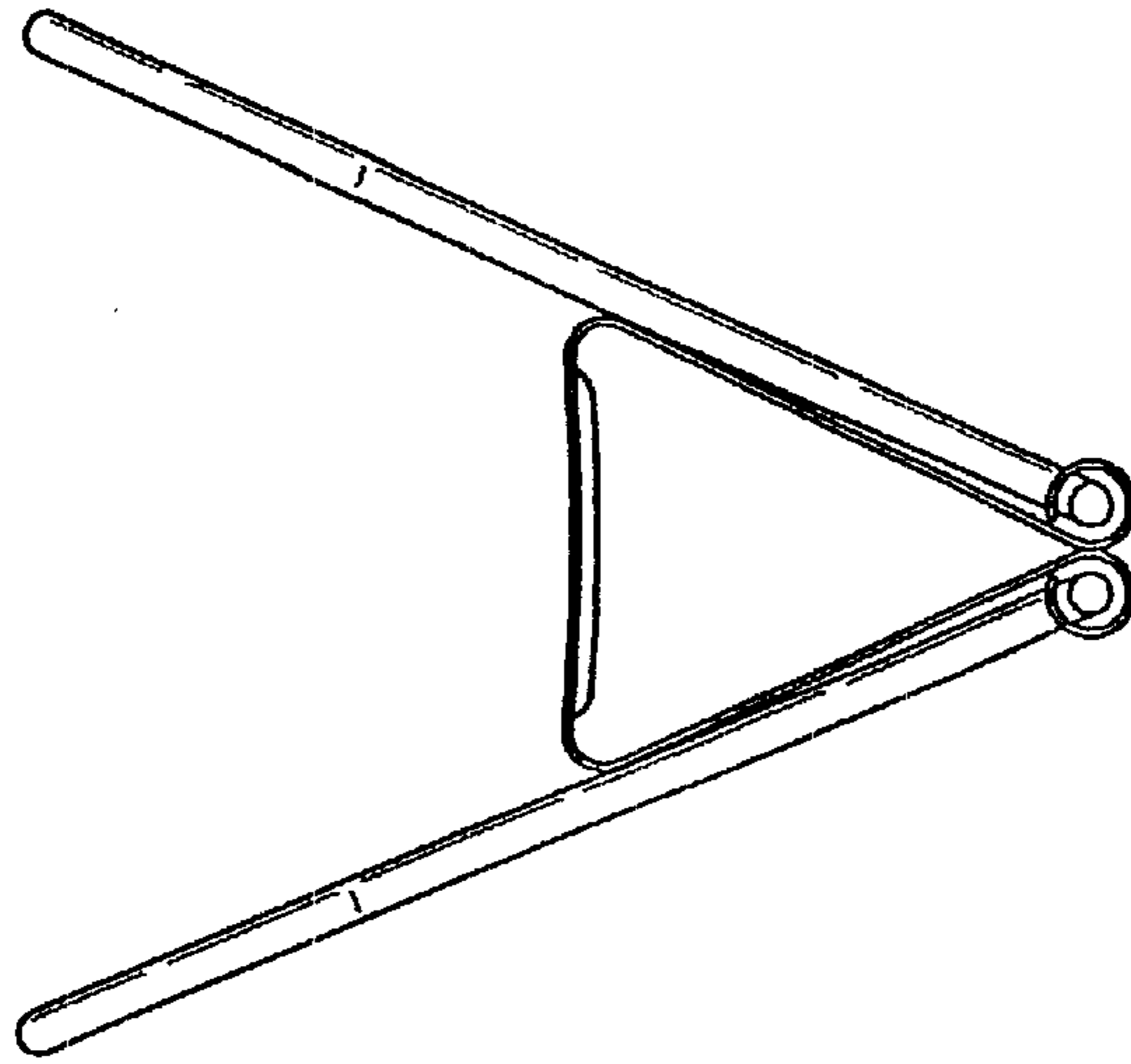


FIG. 4

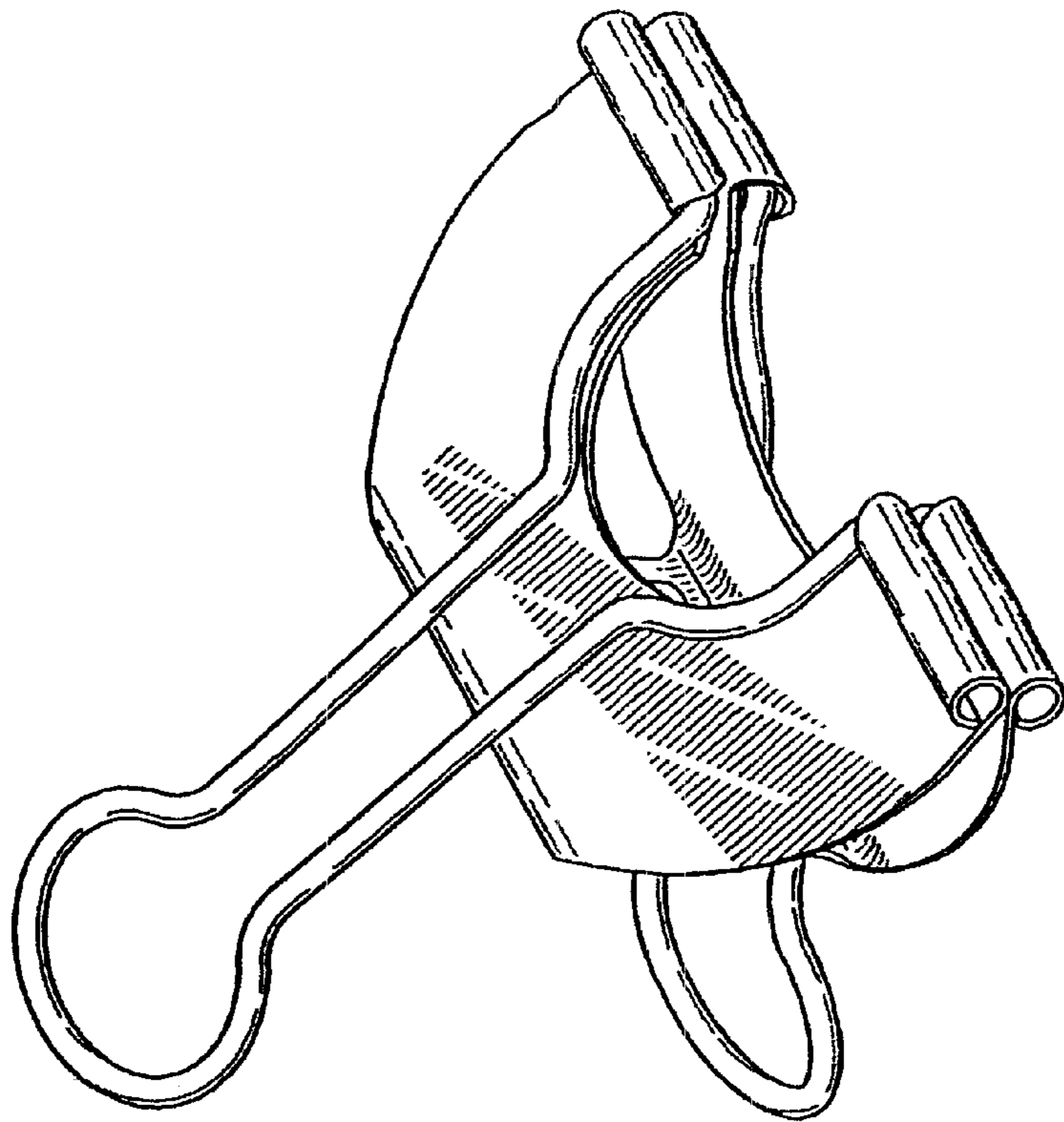


FIG. 6

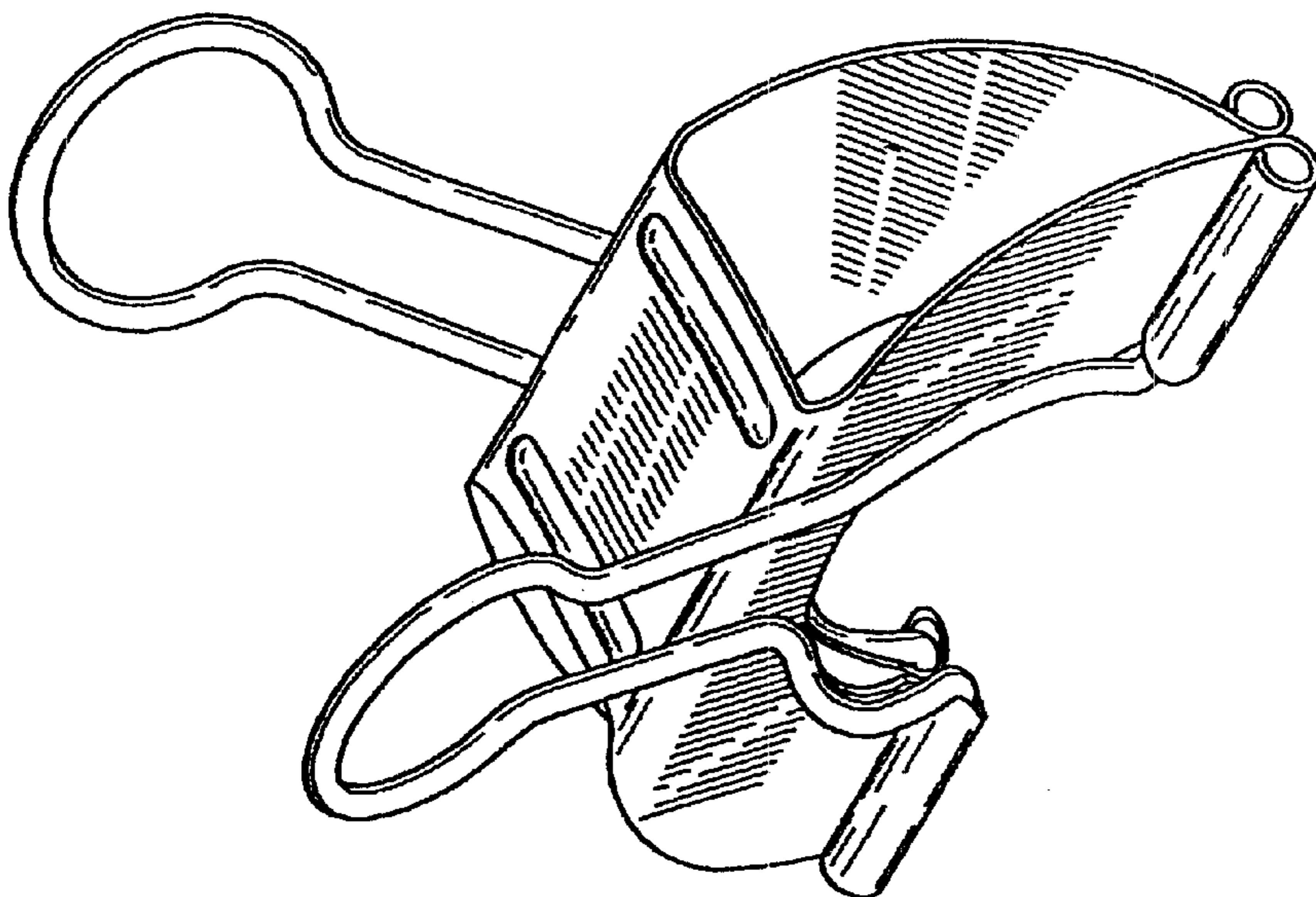


FIG. 7

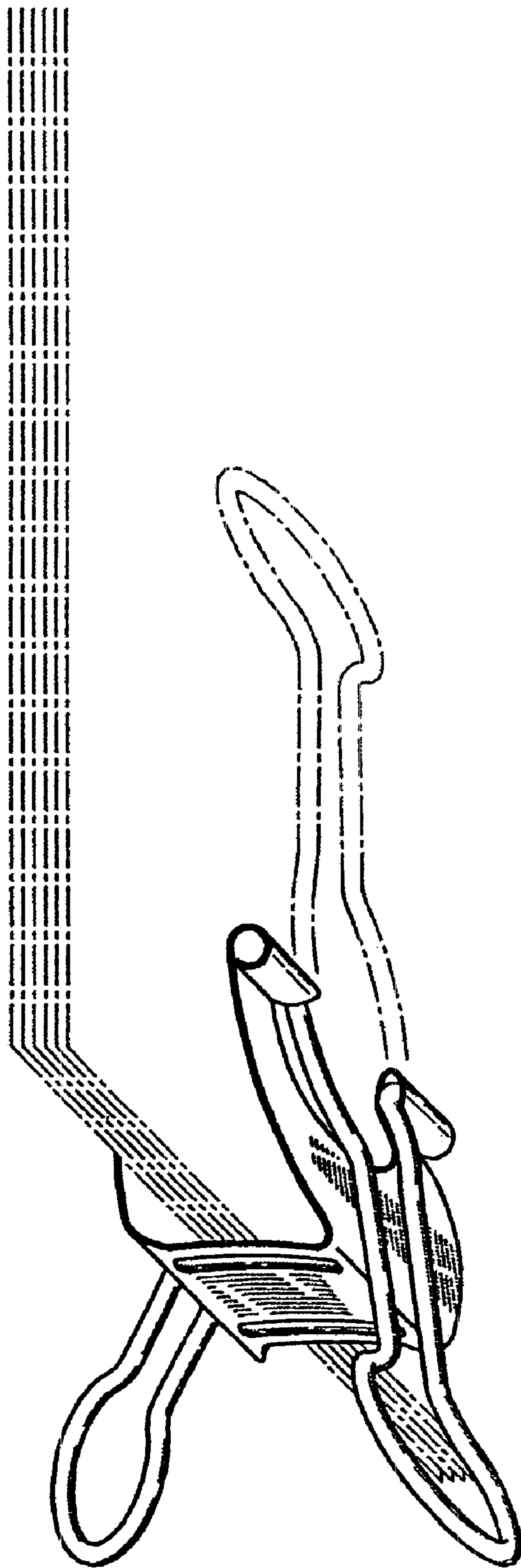


FIG. 8