



US00D478350S

(12) **United States Design Patent**
Furlong

(10) **Patent No.:** **US D478,350 S**

(45) **Date of Patent:** **** Aug. 12, 2003**

(54) **HIGHLIGHTER**

D470,887 S * 2/2003 Okutani D19/43

(75) Inventor: **Brian D. Furlong**, Westchester, IL (US)

OTHER PUBLICATIONS

(73) Assignee: **Berol Corporation**, Freeport, IL (US)

Sanford brochure, Pocket Accent highlighter, dated year 2000.

(**) Term: **14 Years**

* cited by examiner

(21) Appl. No.: **29/165,937**

Primary Examiner—Martie K. Holtje

(22) Filed: **Aug. 20, 2002**

(74) *Attorney, Agent, or Firm*—Marshall, Gerstein & Borun

(51) **LOC (7) Cl.** **19-06**

(57) **CLAIM**

(52) **U.S. Cl.** **D19/43; D19/56; D19/51**

The ornamental design for a “highlighter”, as shown and described.

(58) **Field of Search** D19/35, 36, 41–51,
D19/53–58, 81–85; 401/98, 196, 198, 202,
213, 243–247, 261, 262

DESCRIPTION

(56) **References Cited**

FIG. 1 is a perspective view taken from the side and above showing my new design;

U.S. PATENT DOCUMENTS

FIG. 2 is a right side elevational view thereof,

1,075,631 A * 10/1913 Dods 401/246

FIG. 3 is a left side elevational view thereof;

D259,792 S * 7/1981 Itoh et al. D19/51

FIG. 4 is a front view thereof;

D313,245 S * 12/1990 Iwase D19/43

FIG. 5 is a rear view thereof;

D398,641 S * 9/1998 Hollington D19/43

FIG. 6 is a bottom view thereof; and,

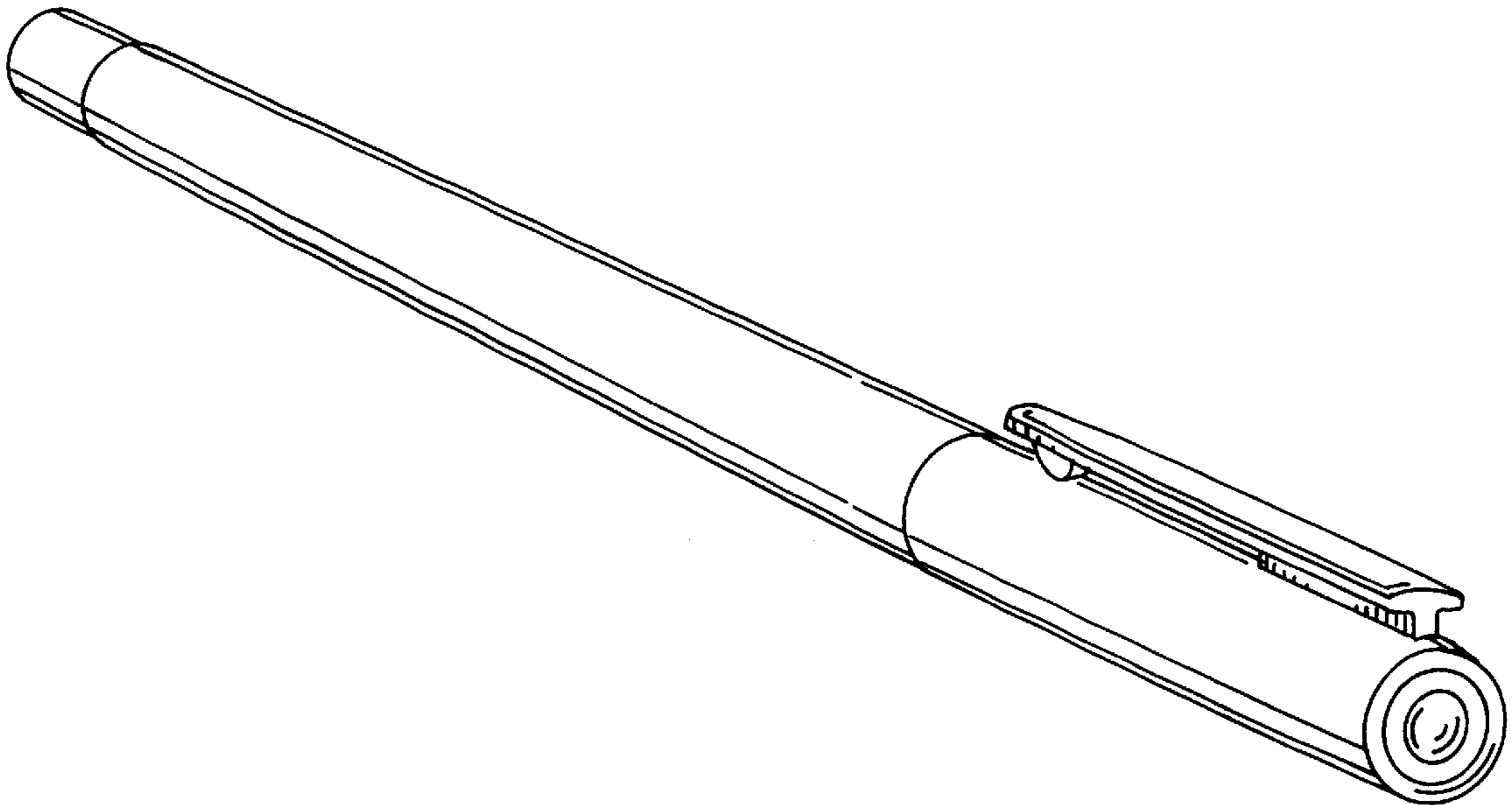
D410,029 S * 5/1999 Melnick D19/36

FIG. 7 is a top plan view thereof.

D440,601 S * 4/2001 Sasaki D19/43

D454,584 S * 3/2002 Mershon D19/36

1 Claim, 3 Drawing Sheets



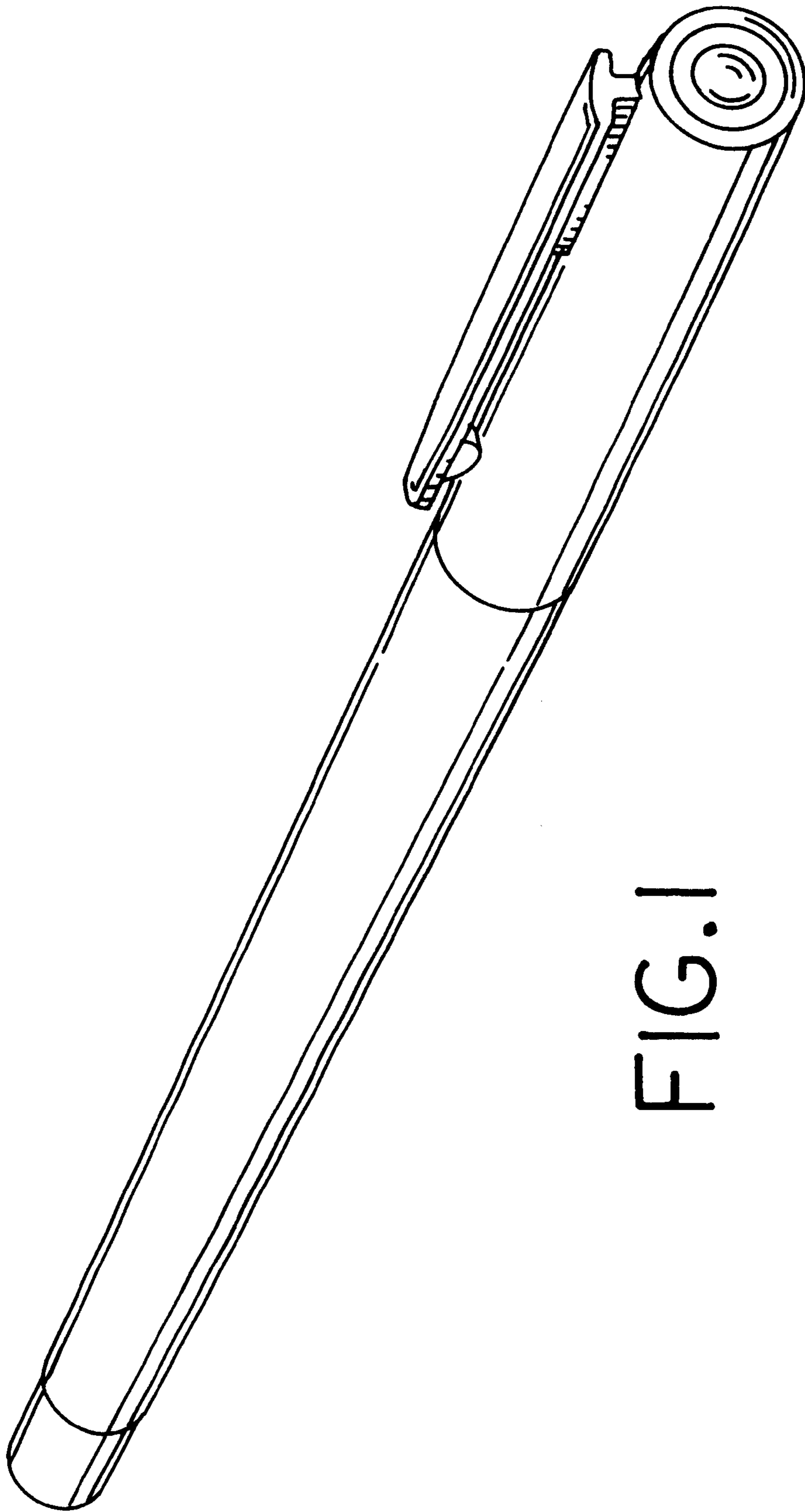


FIG. 1

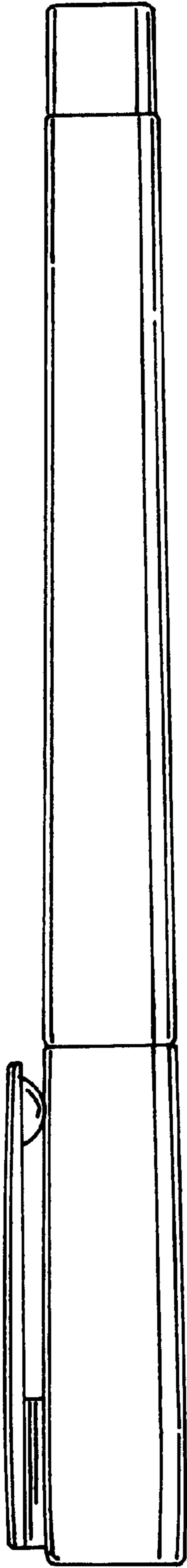


FIG. 2

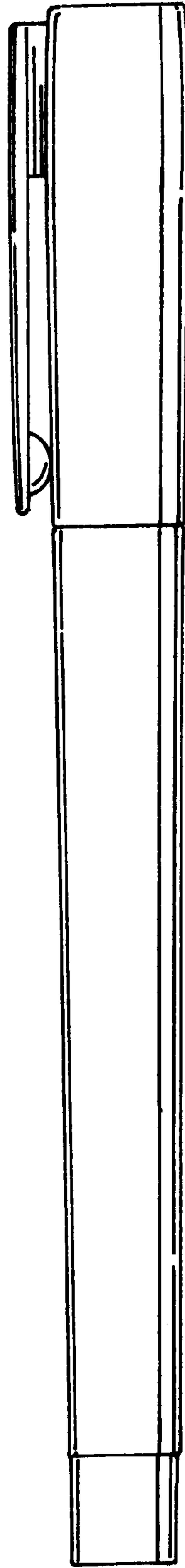


FIG. 3

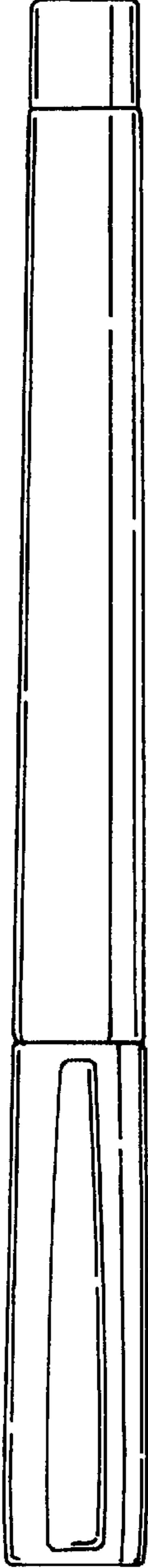


FIG. 4

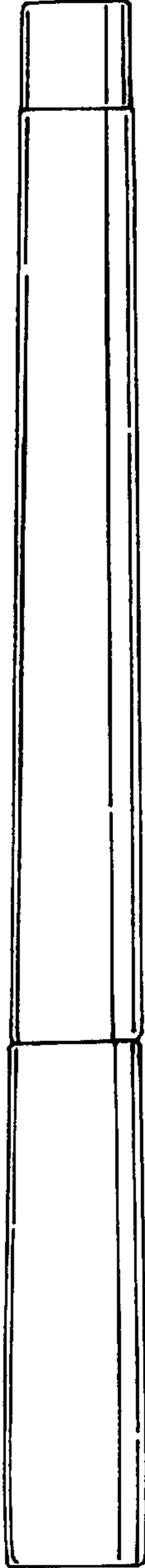


FIG. 5

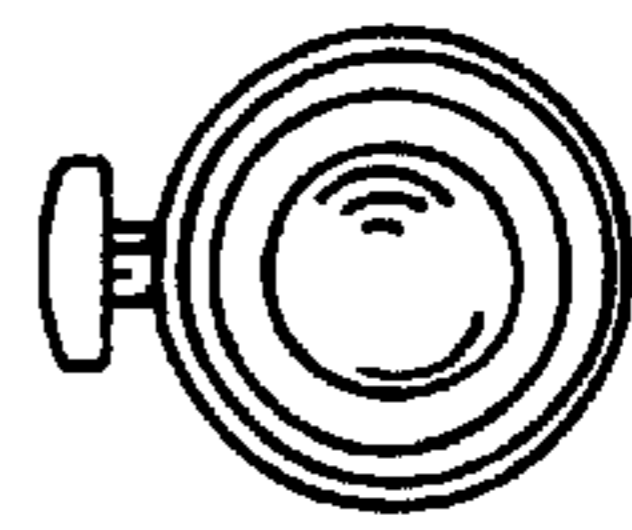


FIG. 6

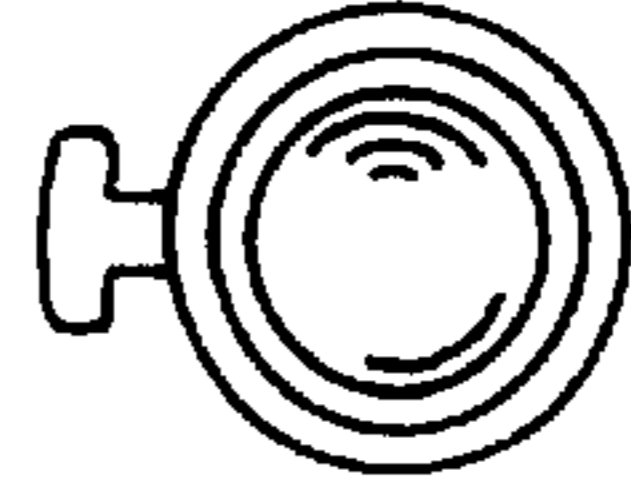


FIG. 7