



US00D478346S

(12) **United States Design Patent**
Short et al.

(10) **Patent No.:** **US D478,346 S**

(45) **Date of Patent:** **** Aug. 12, 2003**

(54) **HANDLE FOR PRINTING MECHANISM LID**

(75) Inventors: **D. Bradley Short**, San Diego, CA
(US); **Darren W. Wilcox**, San Diego,
CA (US); **Raymond K. Lee**, San
Diego, CA (US)

(73) Assignee: **Hewlett-Packard Development
Company, L.P.**, Houston, TX (US)

(**) Term: **14 Years**

(21) Appl. No.: **29/162,092**

(22) Filed: **Jun. 6, 2002**

(51) **LOC (7) Cl.** **18-02**

(52) **U.S. Cl.** **D18/50**

(58) **Field of Search** D18/36-39, 50,
D18/54-55; 400/691-694, 613, 613.1-613.4,
690.1-690.4; D14/462-470

(56) **References Cited**

U.S. PATENT DOCUMENTS

- D331,069 S 11/1992 Hanasaki et al.
- D369,617 S * 5/1996 Sato D18/54
- D374,030 S 9/1996 Horiki et al.
- D387,085 S 12/1997 Masujima et al.
- D390,597 S * 2/1998 Igarashi et al. D18/55
- D398,632 S 9/1998 Dodge et al.
- D401,965 S * 12/1998 Pangburn D18/55

- D406,161 S * 2/1999 Yoshida et al. D18/36
- D409,233 S 5/1999 Kondo
- D422,301 S 4/2000 Short et al.
- D422,570 S 4/2000 Kobayashi
- D429,277 S * 8/2000 Bishop et al. D18/50
- D430,895 S 9/2000 Inoue
- D432,161 S * 10/2000 Takeuchi D18/39
- D432,562 S * 10/2000 Takeuchi D18/39
- D434,066 S * 11/2000 Short et al. D18/36
- D434,067 S 11/2000 Chen
- D437,877 S 2/2001 Chen
- D441,784 S 5/2001 Leong et al.
- D444,170 S 6/2001 Ichi et al.
- D449,851 S * 10/2001 Katou et al. D18/36

* cited by examiner

Primary Examiner—Cathy Anne MacCormac

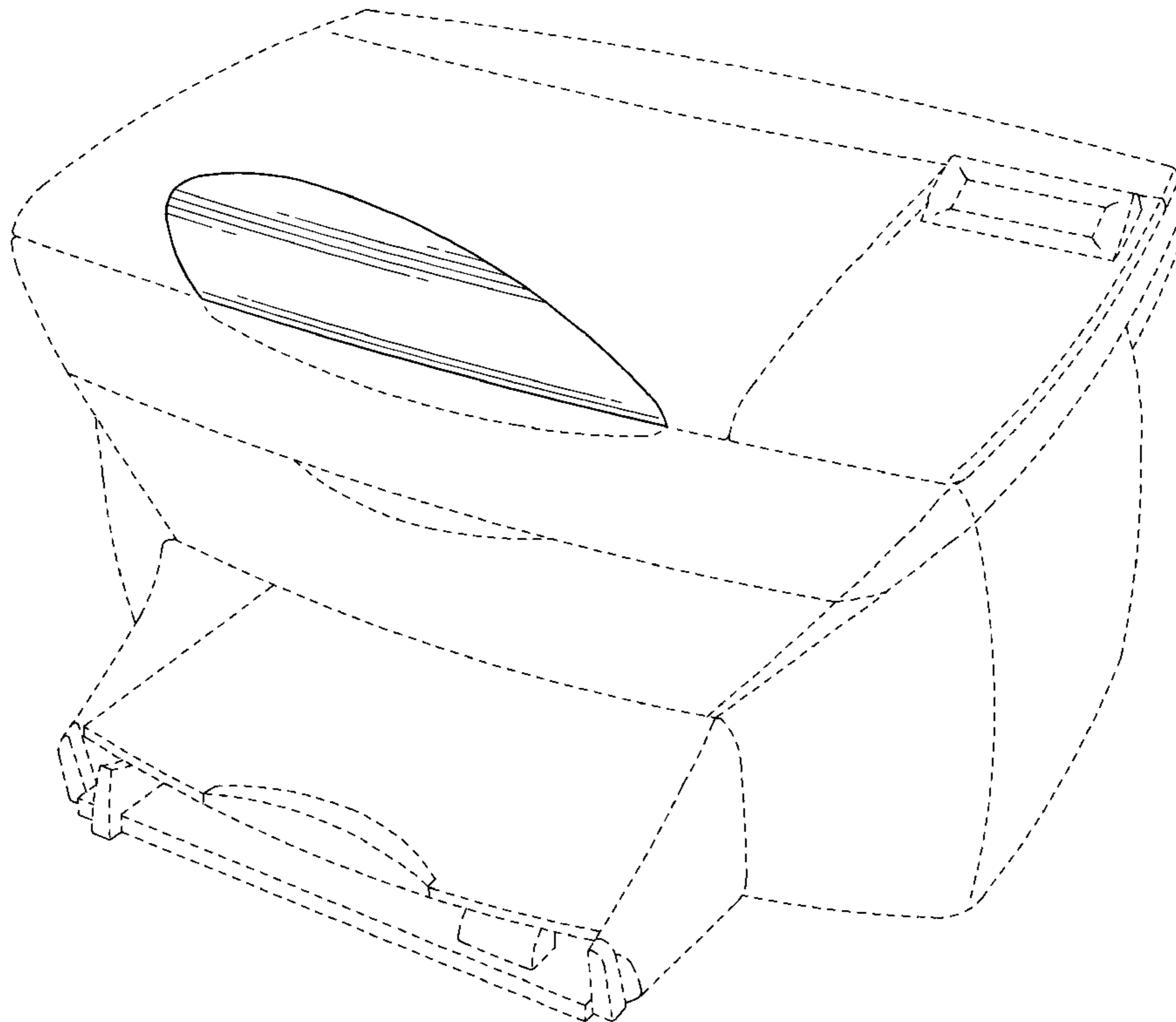
(57) **CLAIM**

An ornamental design for a handle for printing mechanism lid, substantially as shown and described.

DESCRIPTION

FIG. 1 is a perspective view of a handle for printing mechanism lid;
FIG. 2 is a front view thereof; and,
FIG. 3 is a top view thereof.
The broken lines are for illustrative purposes only and form no part of the claimed design.

1 Claim, 3 Drawing Sheets



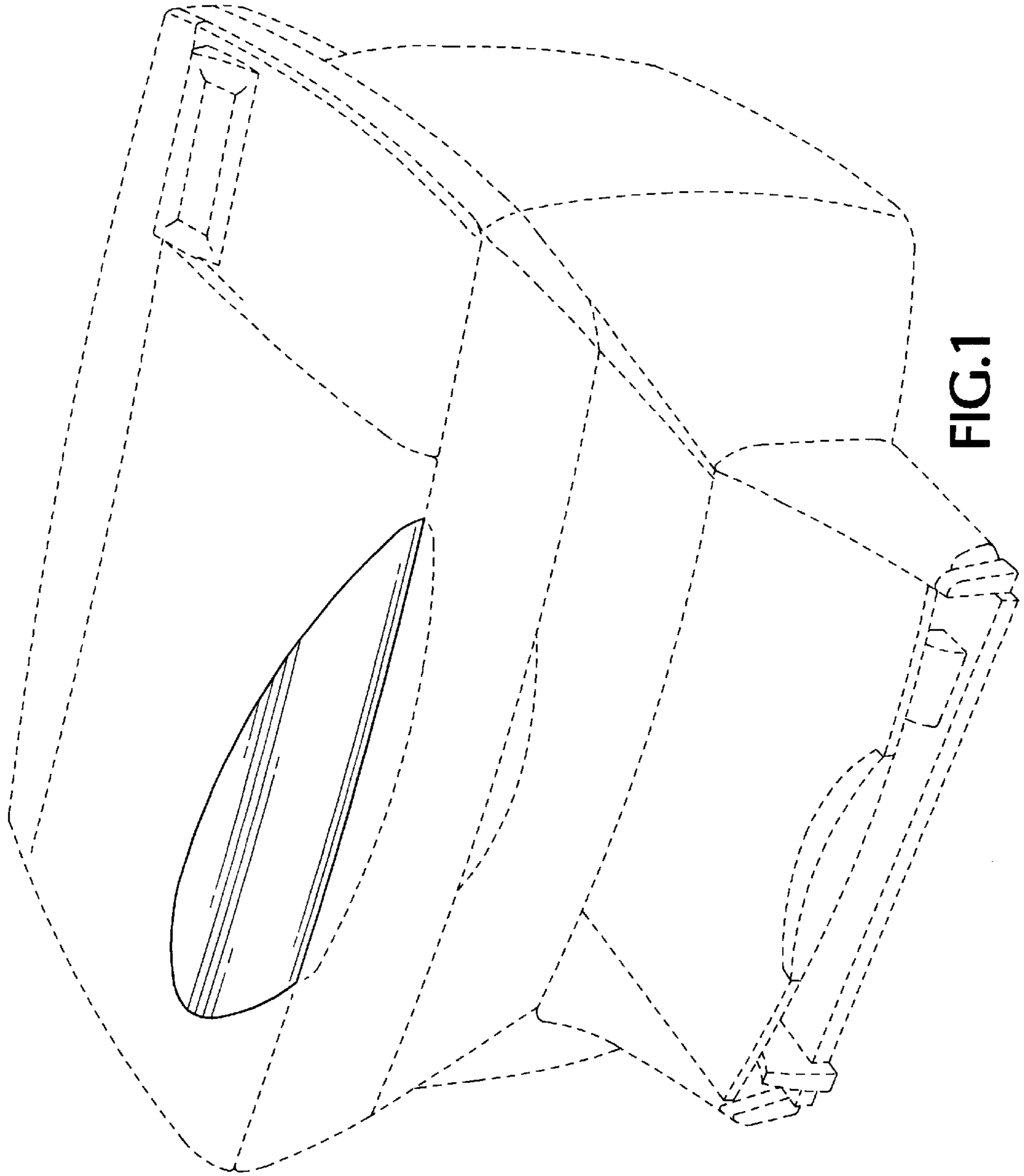


FIG. 1

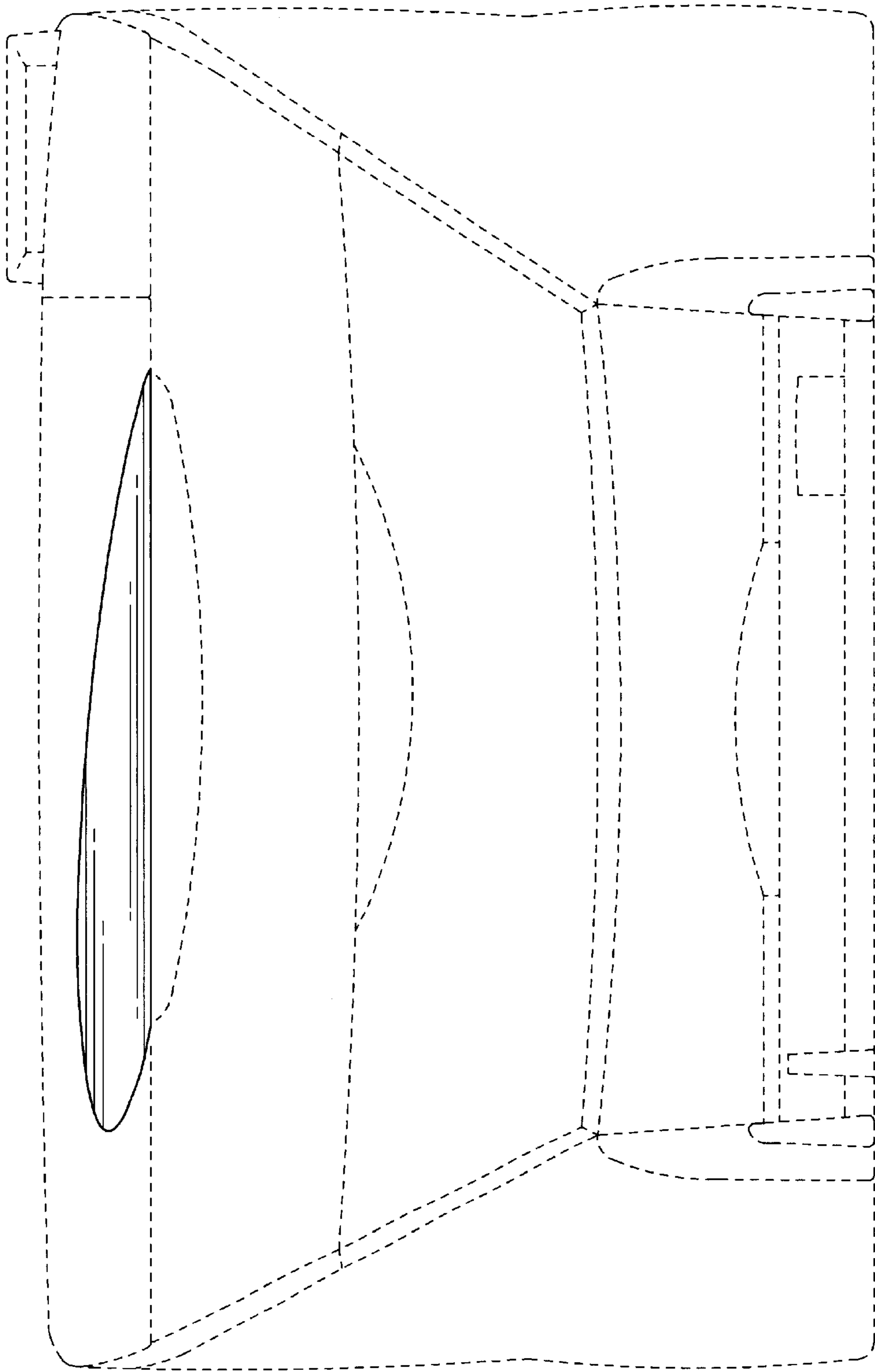


FIG.2

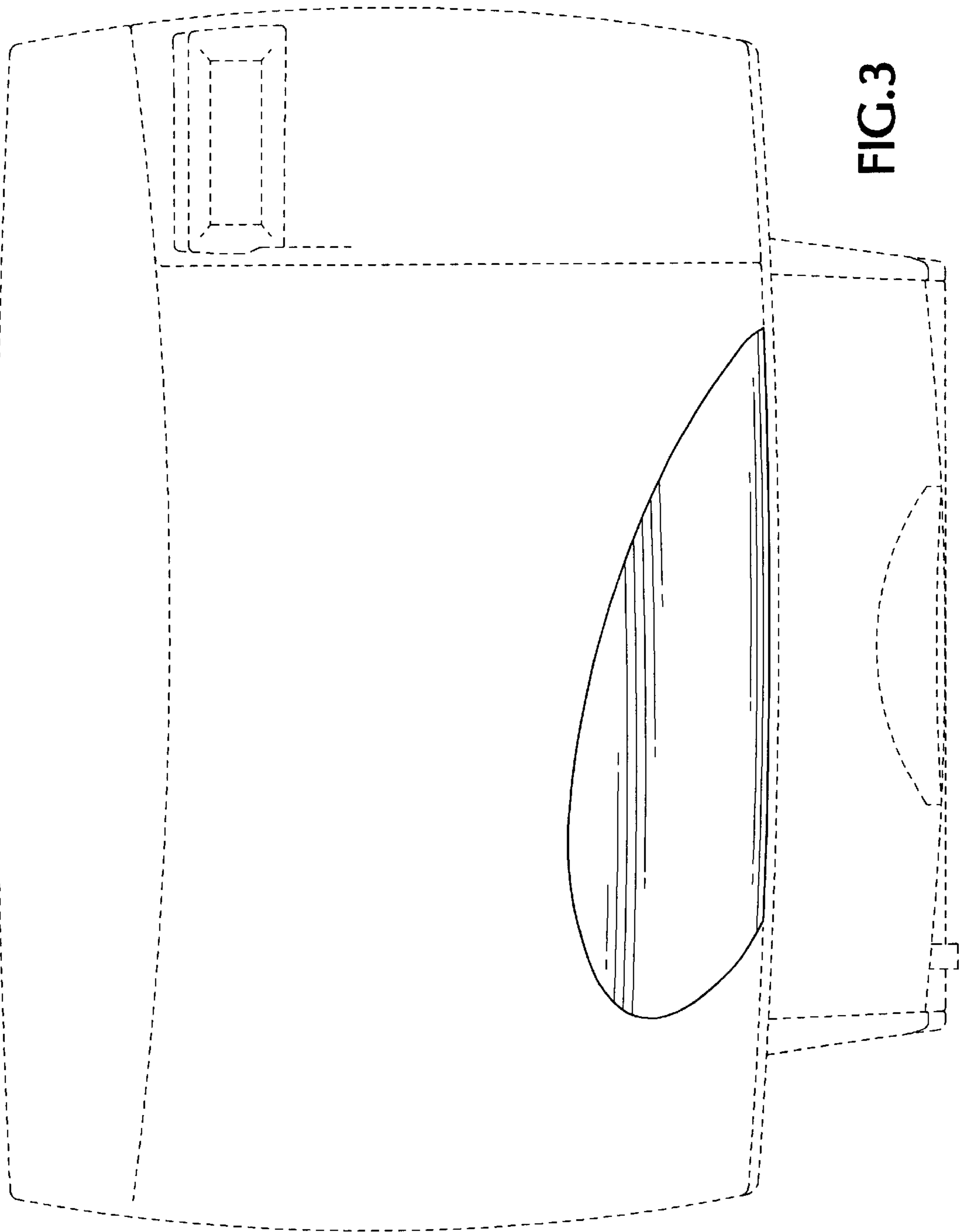


FIG. 3