



US00D478341S

(12) **United States Design Patent**
Hayamizu

(10) **Patent No.: US D478,341 S**

(45) **Date of Patent: ** *Aug. 12, 2003**

(54) **BINOCULARS**

(75) Inventor: **Eiji Hayamizu, Tokyo (JP)**

(73) Assignee: **Pentax Corporation, Tokyo (JP)**

(*) Notice: This patent is subject to a terminal disclaimer.

(**) Term: **14 Years**

(21) Appl. No.: **29/164,319**

(22) Filed: **Jul. 24, 2002**

(30) **Foreign Application Priority Data**

Jan. 25, 2002 (JP) 2002-001570

(51) **LOC (7) Cl. 16-06**

(52) **U.S. Cl. D16/133**

(58) **Field of Search** D16/130, 132,
D16/133; 359/407, 408, 409, 410, 411,
412, 413, 414, 415, 416, 417, 418, 419

(56) **References Cited**

U.S. PATENT DOCUMENTS

- 3,484,149 A * 12/1969 BecKer et al. 359/414
- 4,867,533 A * 9/1989 Akin, Jr. 359/425
- D306,869 S * 3/1990 Takahashi D16/133
- D307,154 S * 4/1990 Shishikura D16/133

- 5,062,698 A * 11/1991 Funathu 359/414
- D361,777 S * 8/1995 Akabane et al. D16/133
- D375,753 S * 11/1996 Katsuma D16/133
- D378,216 S 2/1997 Takahashi
- 5,644,426 A * 7/1997 Hotta 359/409
- D383,474 S * 9/1997 Hashimoto D16/133
- D391,975 S * 3/1998 Meinzer D16/133

FOREIGN PATENT DOCUMENTS

JP 1003263 2/1998

* cited by examiner

Primary Examiner—Paula A. Mortimer

(74) *Attorney, Agent, or Firm*—Sughrue Mion, PLLC

(57) **CLAIM**

The ornamental design for a binoculars, as shown.

DESCRIPTION

FIG. 1 is a perspective view of the top, front and right side of binoculars showing my new design;
 FIG. 2 is a front elevational view thereof;
 FIG. 3 is a rear elevational view thereof;
 FIG. 4 is a right side elevational view thereof;
 FIG. 5 is a top plan view thereof;
 FIG. 6 is a left side elevational view thereof; and,
 FIG. 7 is a bottom plan view thereof.

1 Claim, 4 Drawing Sheets

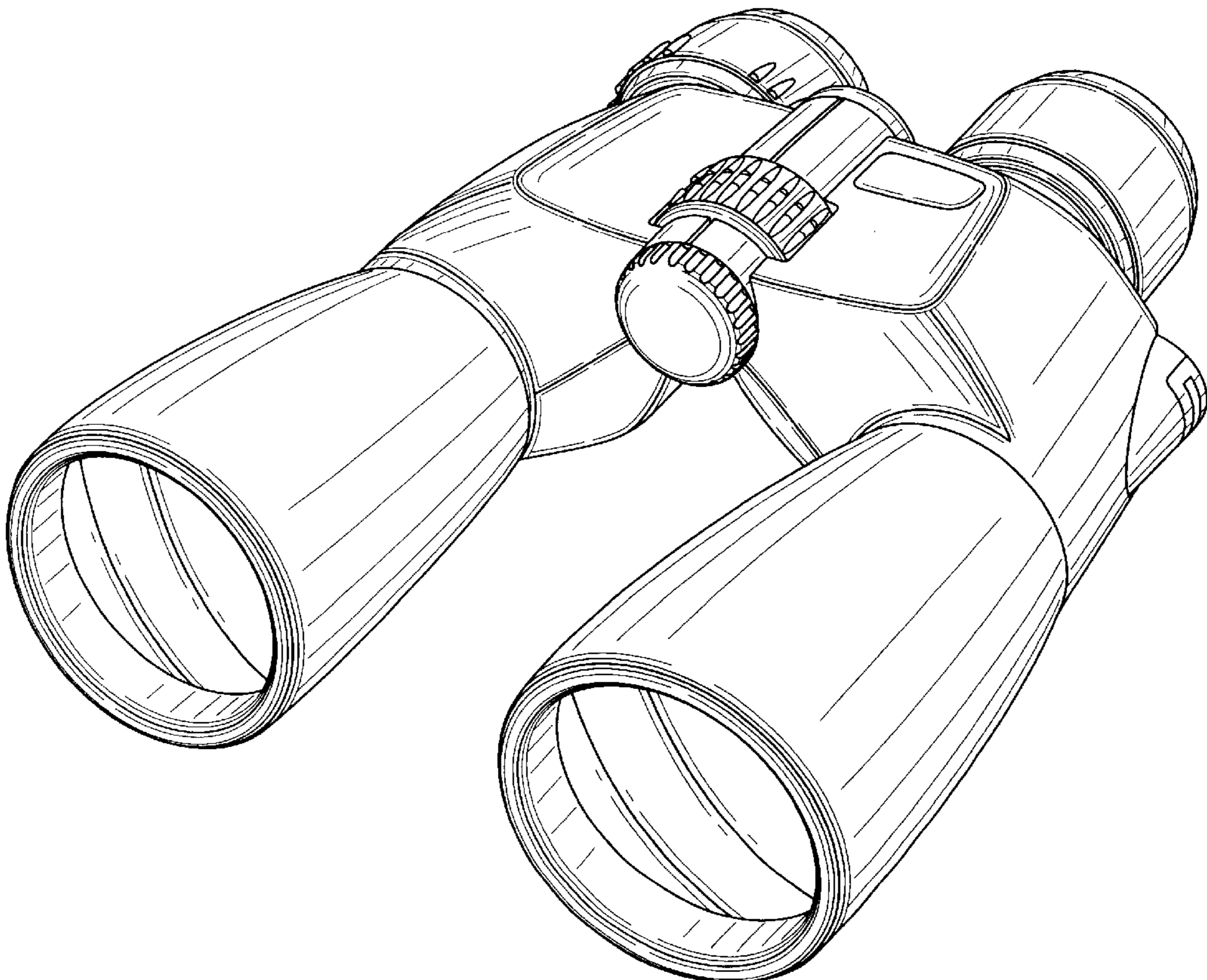


FIG. 1

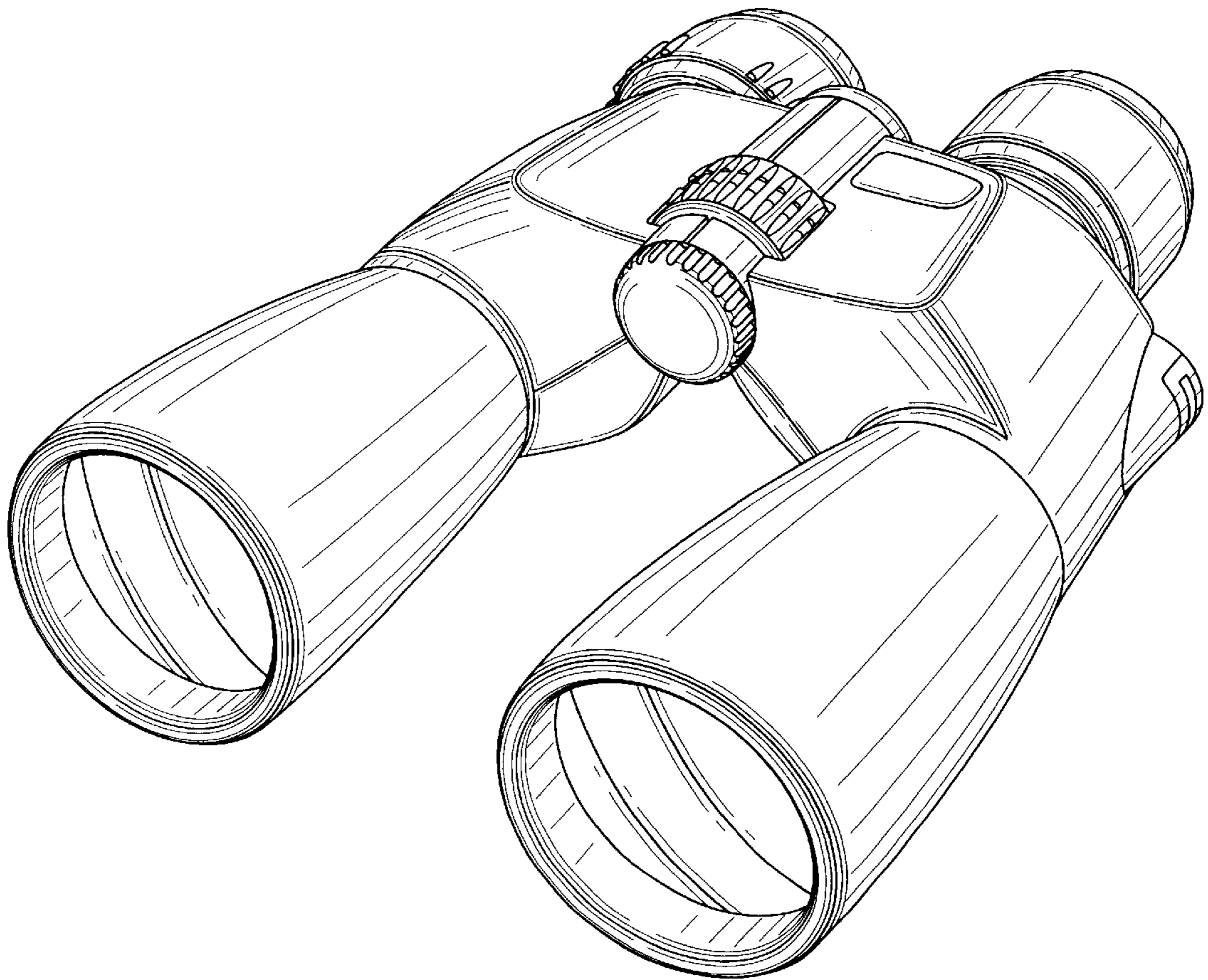


FIG. 2

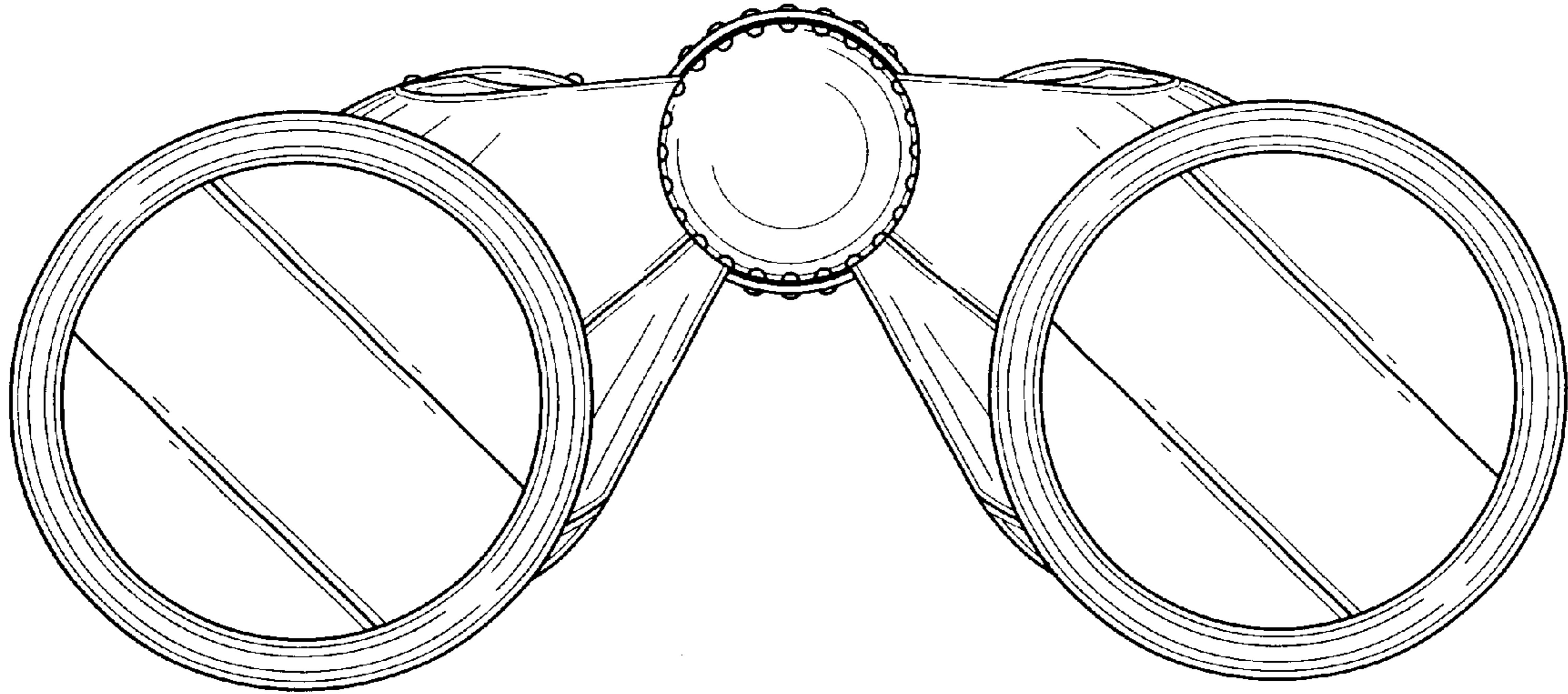


FIG. 3

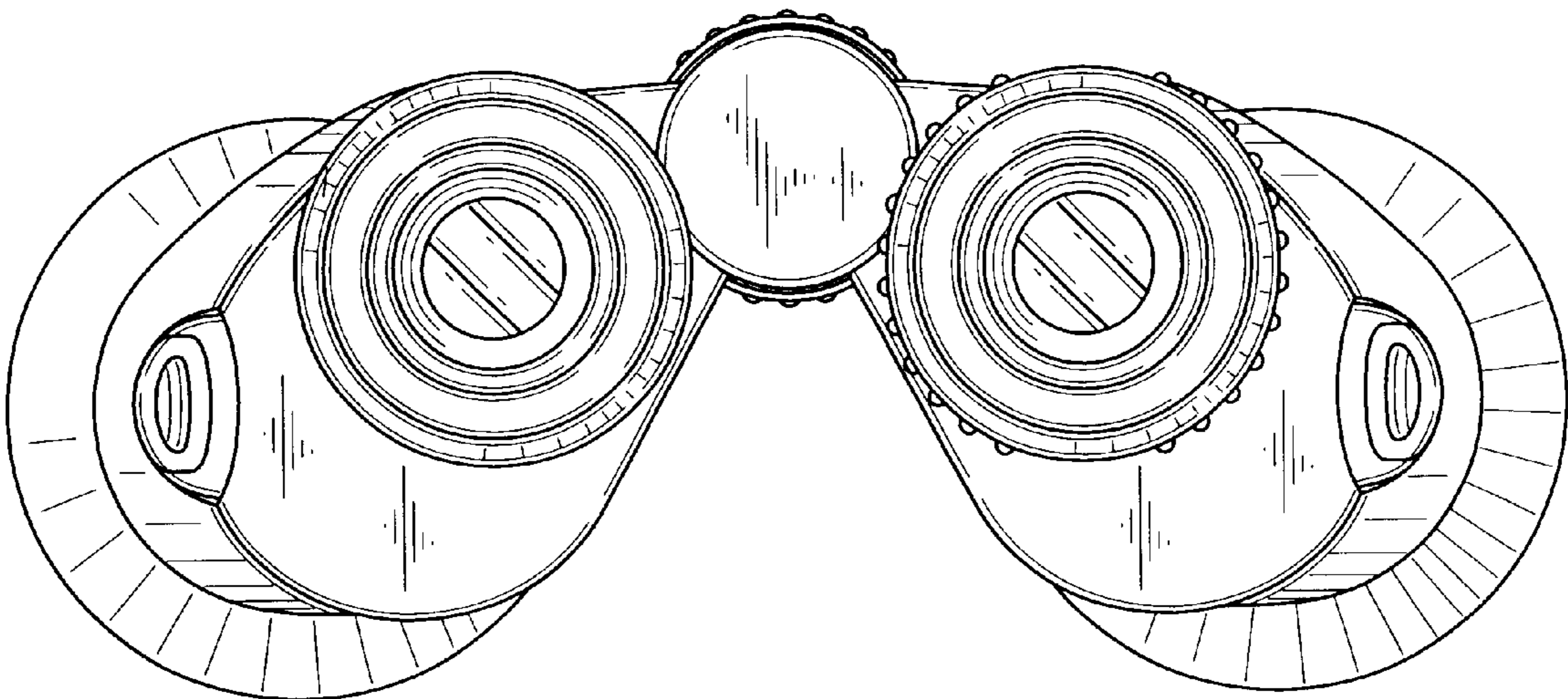


FIG. 4

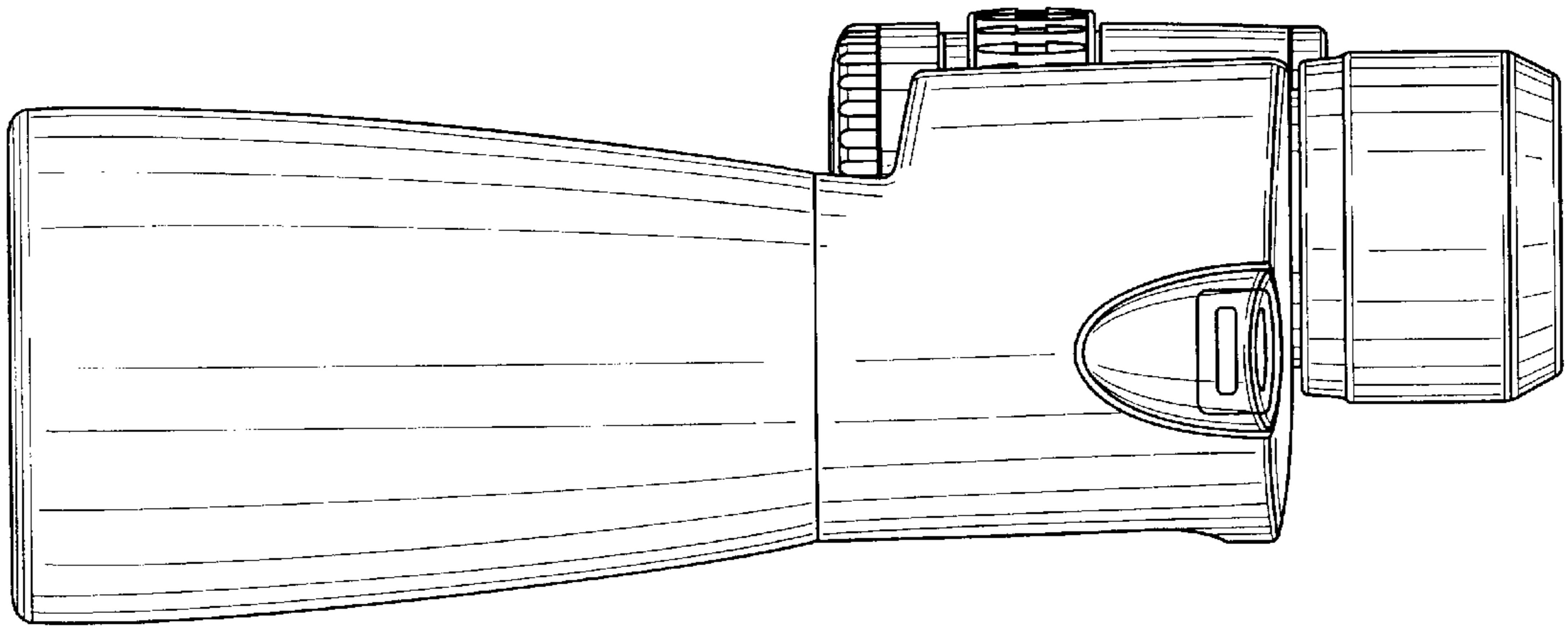


FIG. 5

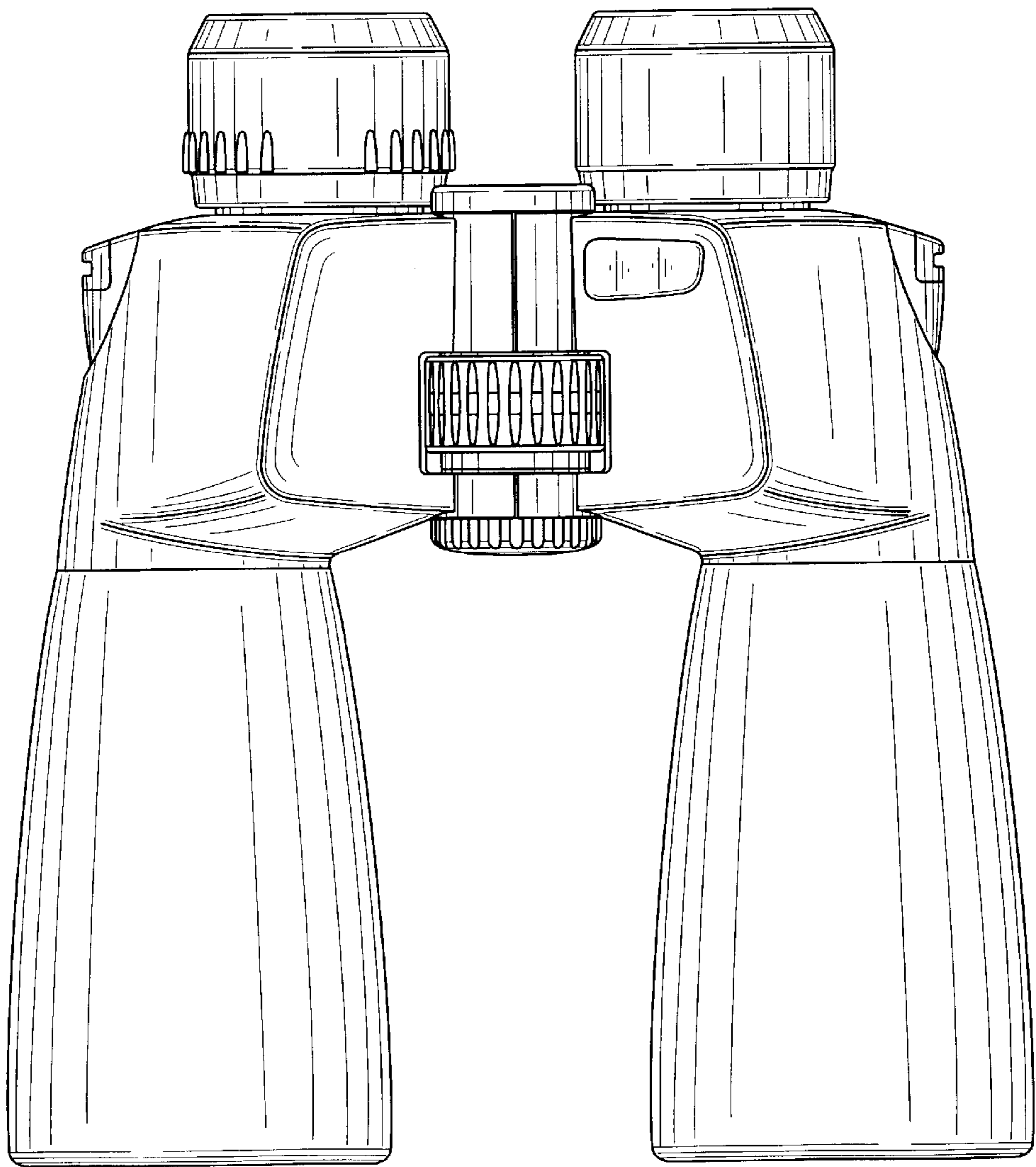


FIG. 6

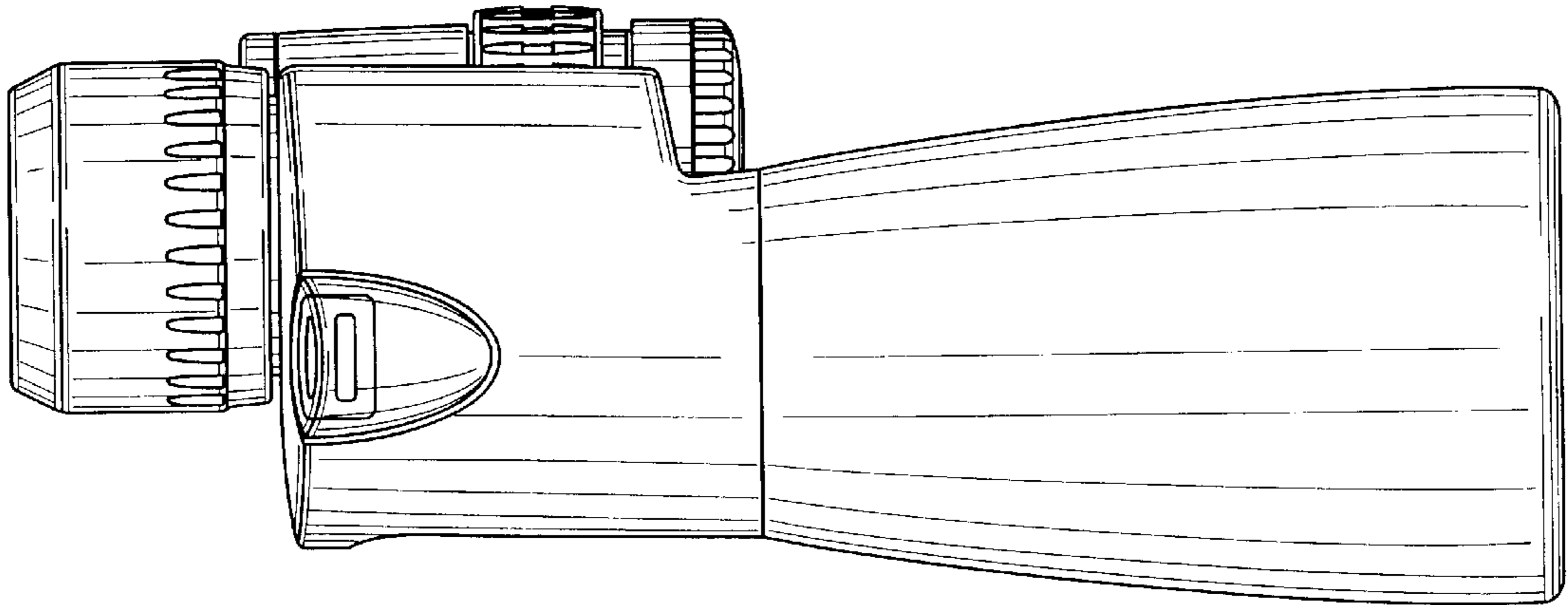


FIG. 7

