



US00D478340S

(12) **United States Design Patent**  
**Hayamizu**

(10) **Patent No.:** **US D478,340 S**

(45) **Date of Patent:** **\*\* \*Aug. 12, 2003**

(54) **BINOCULARS**

(75) **Inventor:** **Eiji Hayamizu, Tokyo (JP)**

(73) **Assignee:** **Pentax Corporation, Tokyo (JP)**

(\*) **Notice:** This patent is subject to a terminal disclaimer.

(\*\*) **Term:** **14 Years**

(21) **Appl. No.:** **29/164,318**

(22) **Filed:** **Jul. 24, 2002**

(30) **Foreign Application Priority Data**

Jan. 25, 2002 (JP) ..... 2002-001568

(51) **LOC (7) Cl.** ..... **16-06**

(52) **U.S. Cl.** ..... **D16/133**

(58) **Field of Search** ..... D16/130, 132,  
D16/133; 359/407, 408, 409, 410, 411,  
412, 413, 414, 415, 416, 417, 418, 419

(56) **References Cited**

**U.S. PATENT DOCUMENTS**

- 3,484,149 A \* 12/1969 Becker et al. .... 359/414
- 4,867,533 A \* 9/1989 Akin, Jr. .... 359/425
- D306,869 S \* 3/1990 Takahashi ..... D16/133
- D307,154 S \* 4/1990 Shishikura ..... D16/133

- 5,062,698 A \* 11/1991 Funathu ..... 359/414
- D361,777 S \* 8/1995 Akabane et al. .... D16/133
- D375,753 S \* 11/1996 Katsuma ..... D16/133
- D378,216 S 2/1997 Takahashi
- 5,644,426 A \* 7/1997 Hotta ..... 359/409
- D383,474 S \* 9/1997 Hashimoto ..... D16/133
- D391,975 S \* 3/1998 Meinzer ..... D16/133

**FOREIGN PATENT DOCUMENTS**

JP 1003263 2/1998

\* cited by examiner

*Primary Examiner*—Paula A. Mortimer

(74) *Attorney, Agent, or Firm*—Sughrue Mion, PLLC

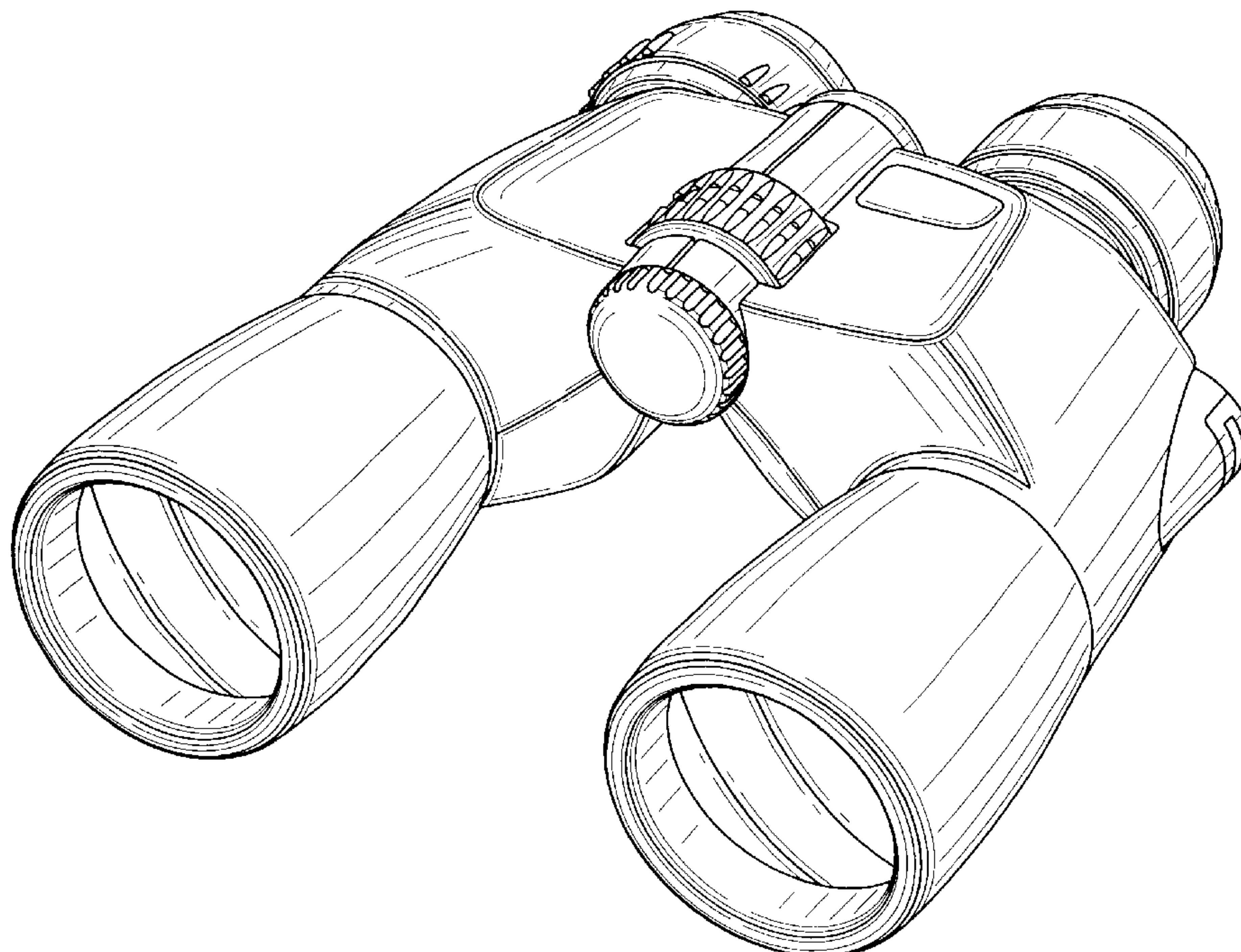
(57) **CLAIM**

The ornamental design for a binoculars, as shown.

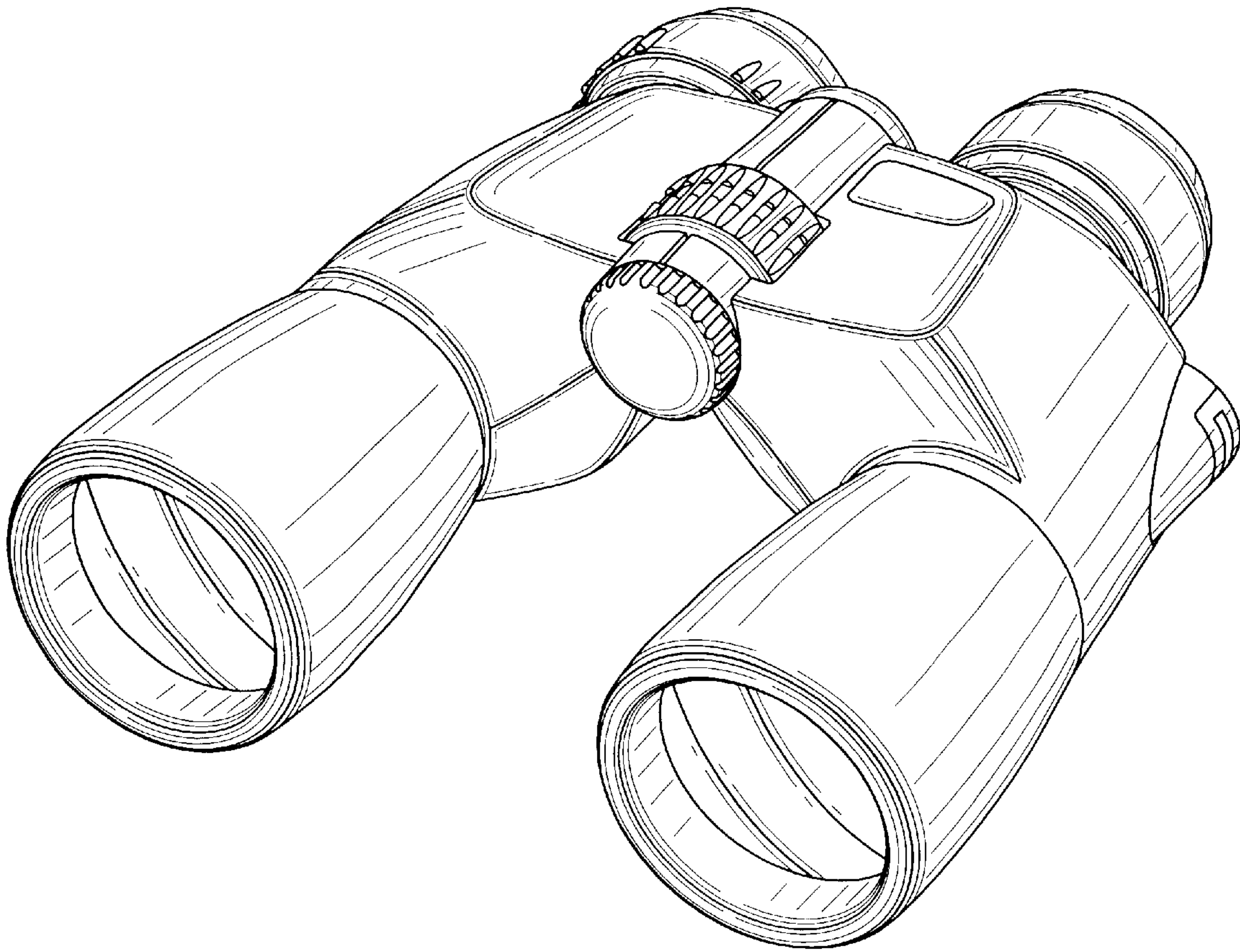
**DESCRIPTION**

FIG. 1 is a perspective view of the top, front and right side of binoculars showing my new design;  
 FIG. 2 is a front elevational view thereof;  
 FIG. 3 is a rear elevational view thereof;  
 FIG. 4 is a right side elevational view thereof;  
 FIG. 5 is a left side elevational view thereof;  
 FIG. 6 is a top plan view thereof; and,  
 FIG. 7 is a bottom plan view thereof.

**1 Claim, 4 Drawing Sheets**

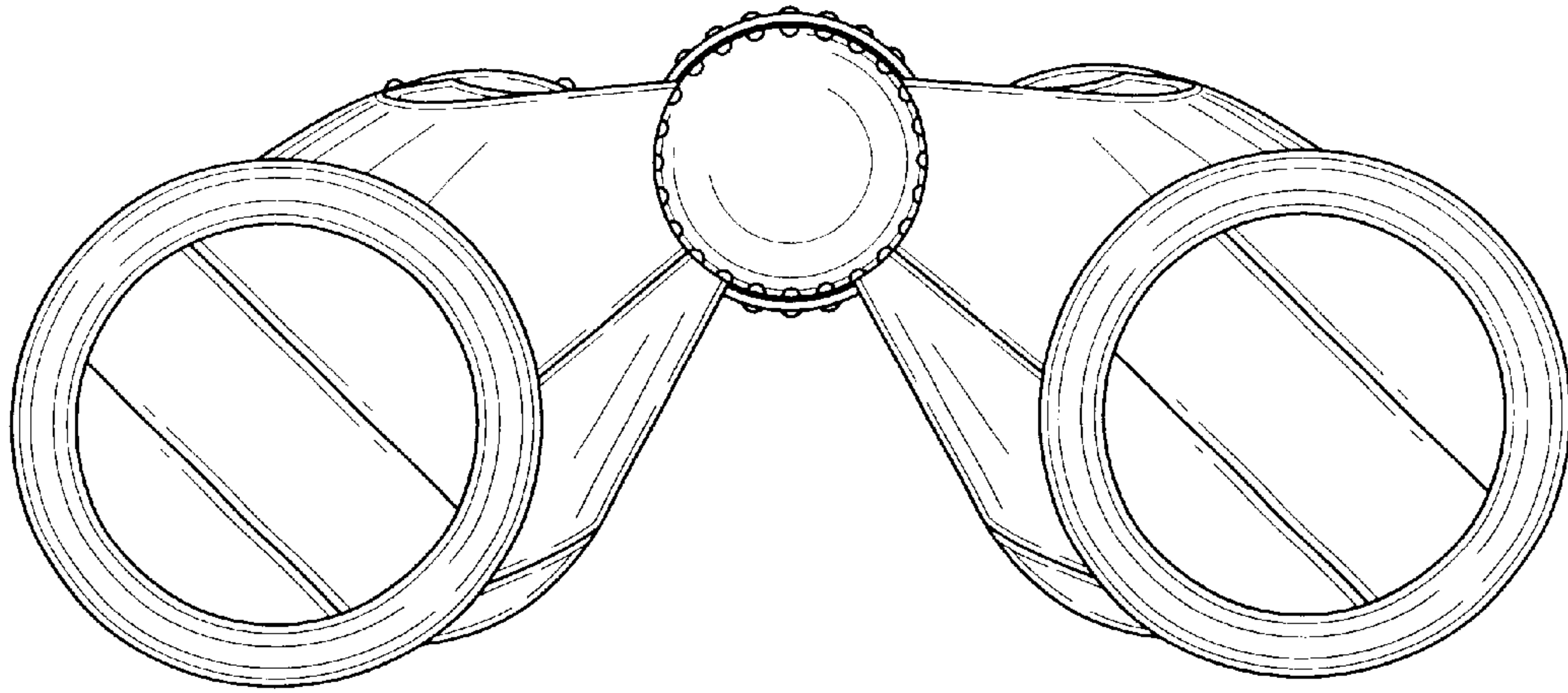


*FIG. 1*

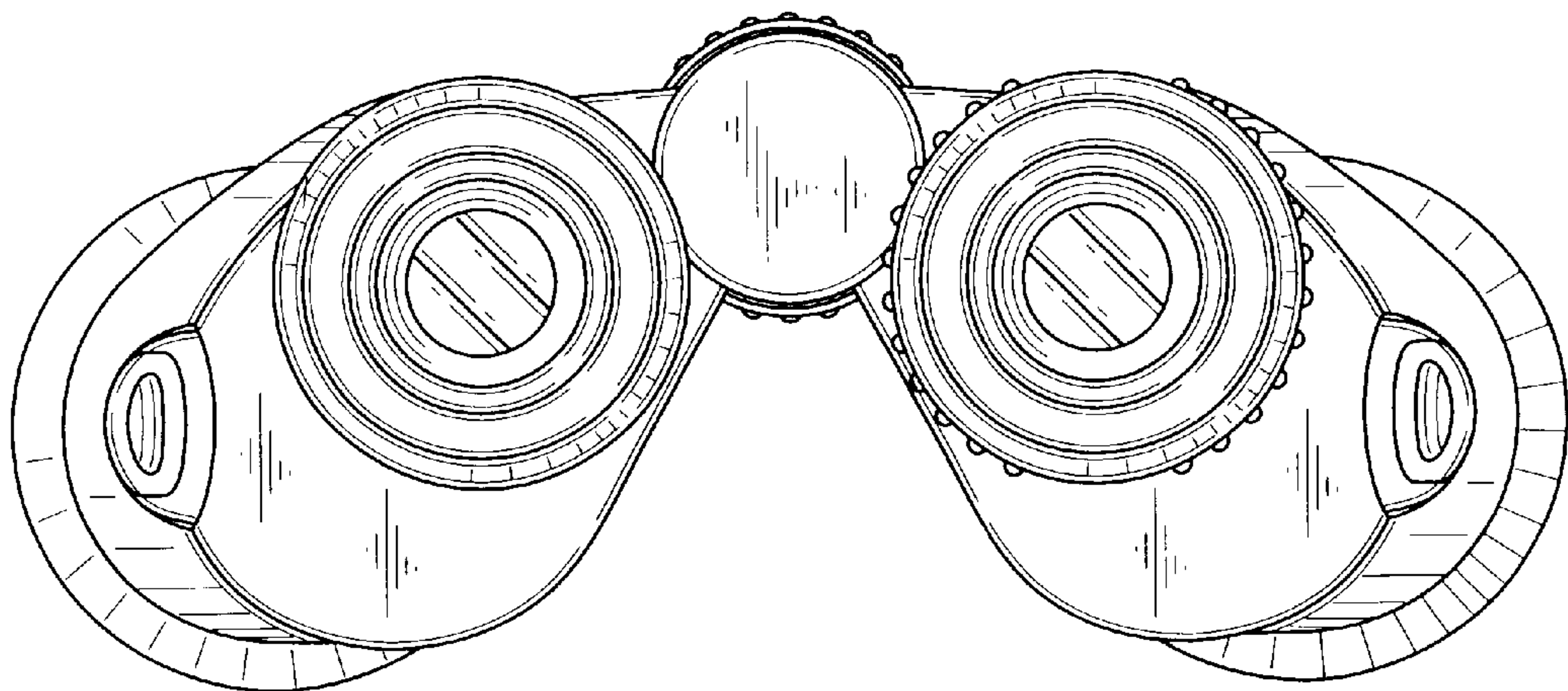




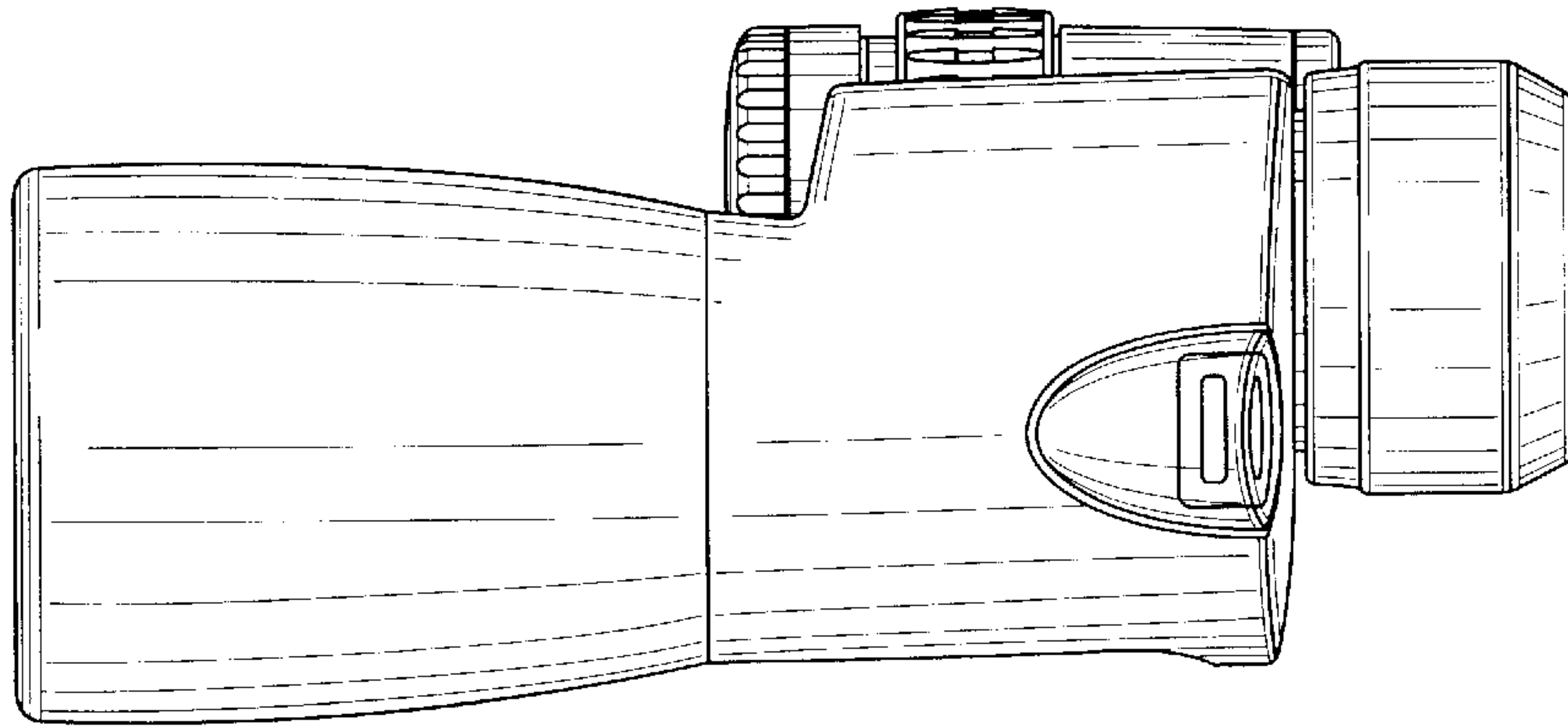
*FIG. 2*



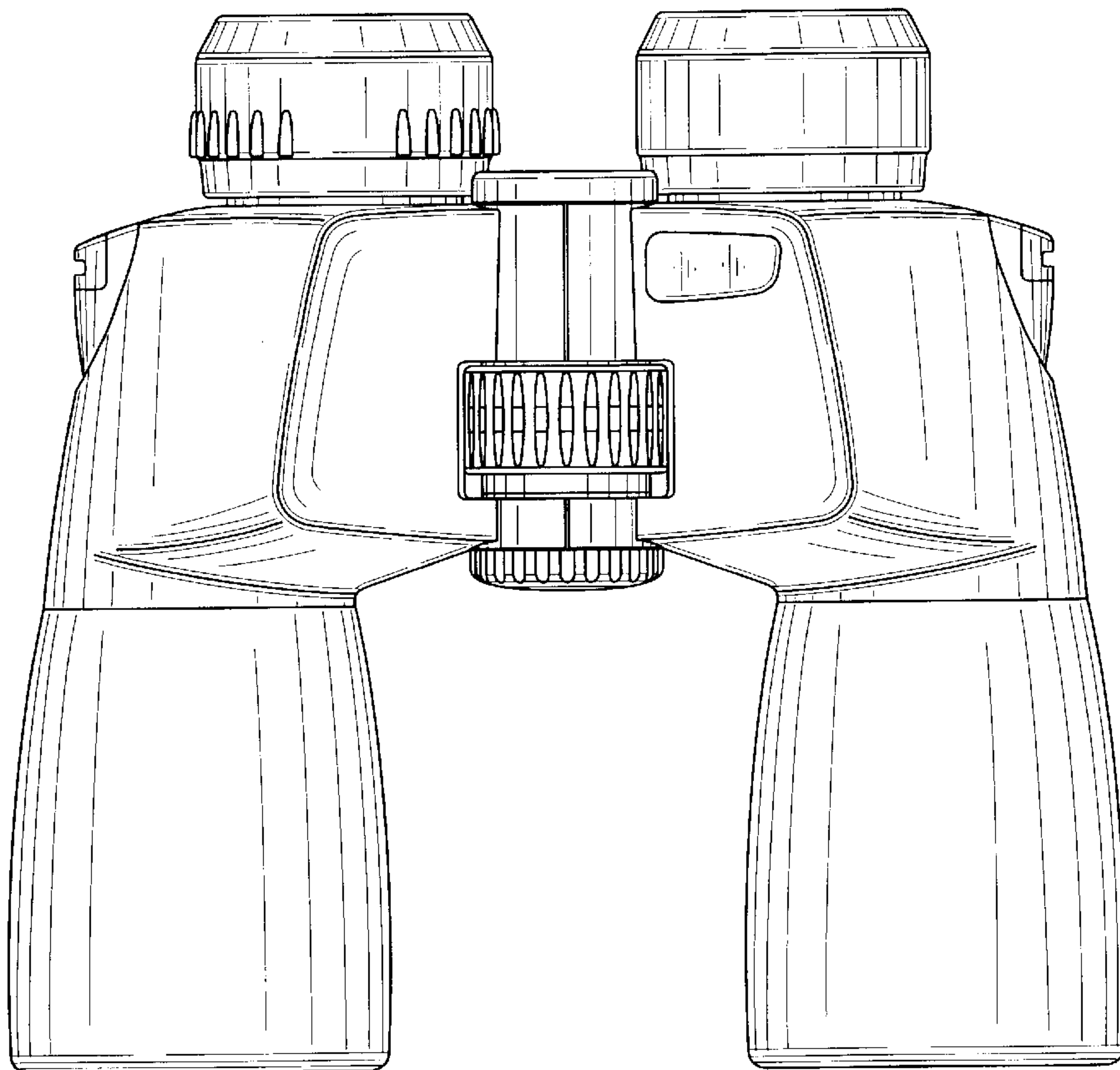
*FIG. 3*



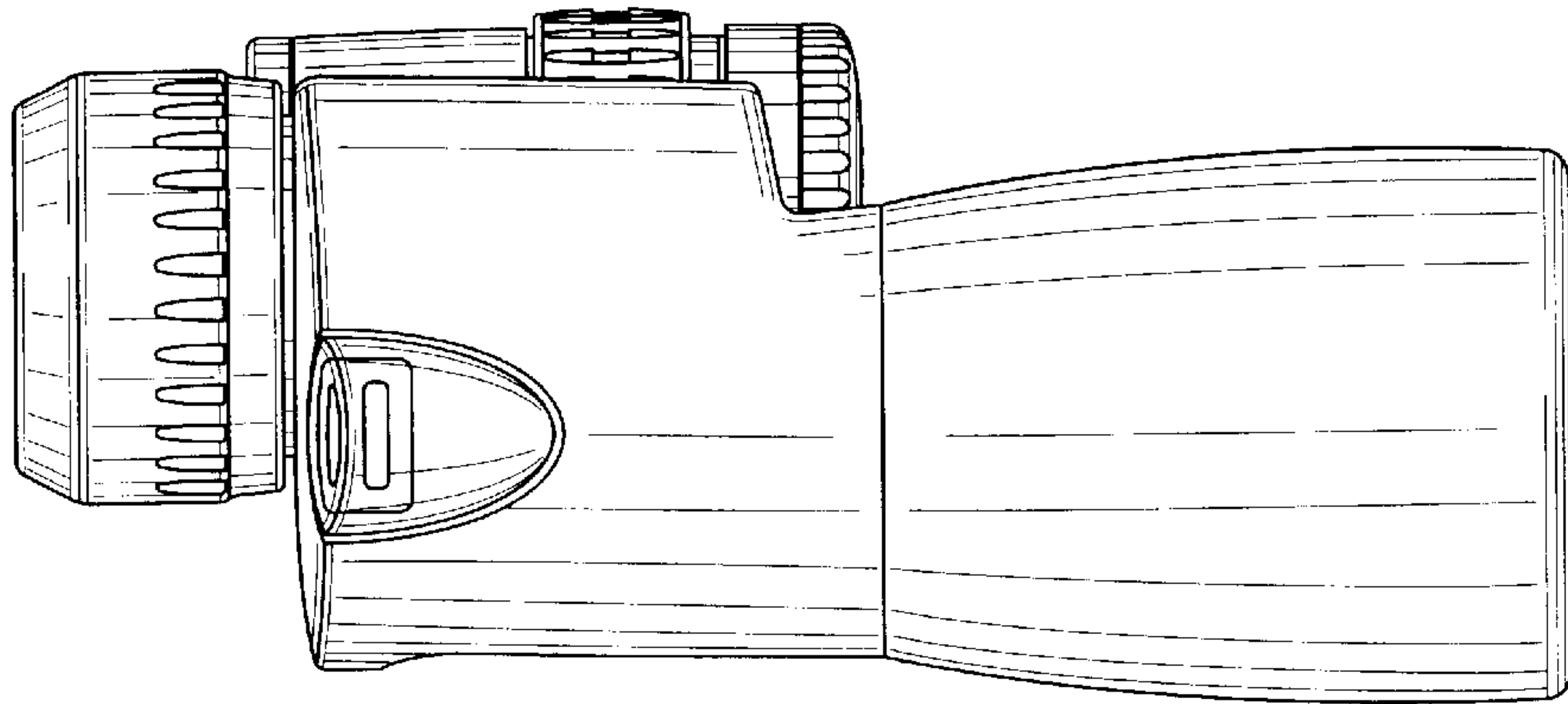
*FIG. 4*



*FIG. 5*



*FIG. 6*



*FIG. 7*

