



US00D478337S

(12) **United States Design Patent**  
**Kuroki**

(10) **Patent No.:** **US D478,337 S**

(45) **Date of Patent:** **\*\* Aug. 12, 2003**

(54) **SEWING MACHINE**

(75) **Inventor:** **Nobuhusa Kuroki, Tokyo (JP)**

(73) **Assignee:** **Janome Sewing Machine Co., Ltd., Tokyo (JP)**

(\*\*) **Term:** **14 Years**

(21) **Appl. No.:** **29/169,387**

(22) **Filed:** **Oct. 18, 2002**

(30) **Foreign Application Priority Data**

Apr. 26, 2002 (JP) ..... 2002-011360

(51) **LOC (7) Cl.** ..... **15-06**

(52) **U.S. Cl.** ..... **D15/69**

(58) **Field of Search** ..... D15/66, 69-76;  
112/63, 258-261, 199, 217.1-217.4

(56) **References Cited**

**U.S. PATENT DOCUMENTS**

- D307,024 S \* 4/1990 Itoh et al. .... D15/69
- D309,739 S \* 8/1990 Itoh et al. .... D15/69
- D321,518 S \* 11/1991 Uchida ..... D15/69
- D338,022 S \* 8/1993 Takada et al. .... D15/69
- D372,720 S \* 8/1996 Hattori et al. .... D15/69

- D392,294 S \* 3/1998 Kato et al. .... D15/69
- D465,793 S \* 11/2002 Takada et al. .... D15/69

\* cited by examiner

*Primary Examiner*—Mitchell Siegel

(74) *Attorney, Agent, or Firm*—Niels & Lemack

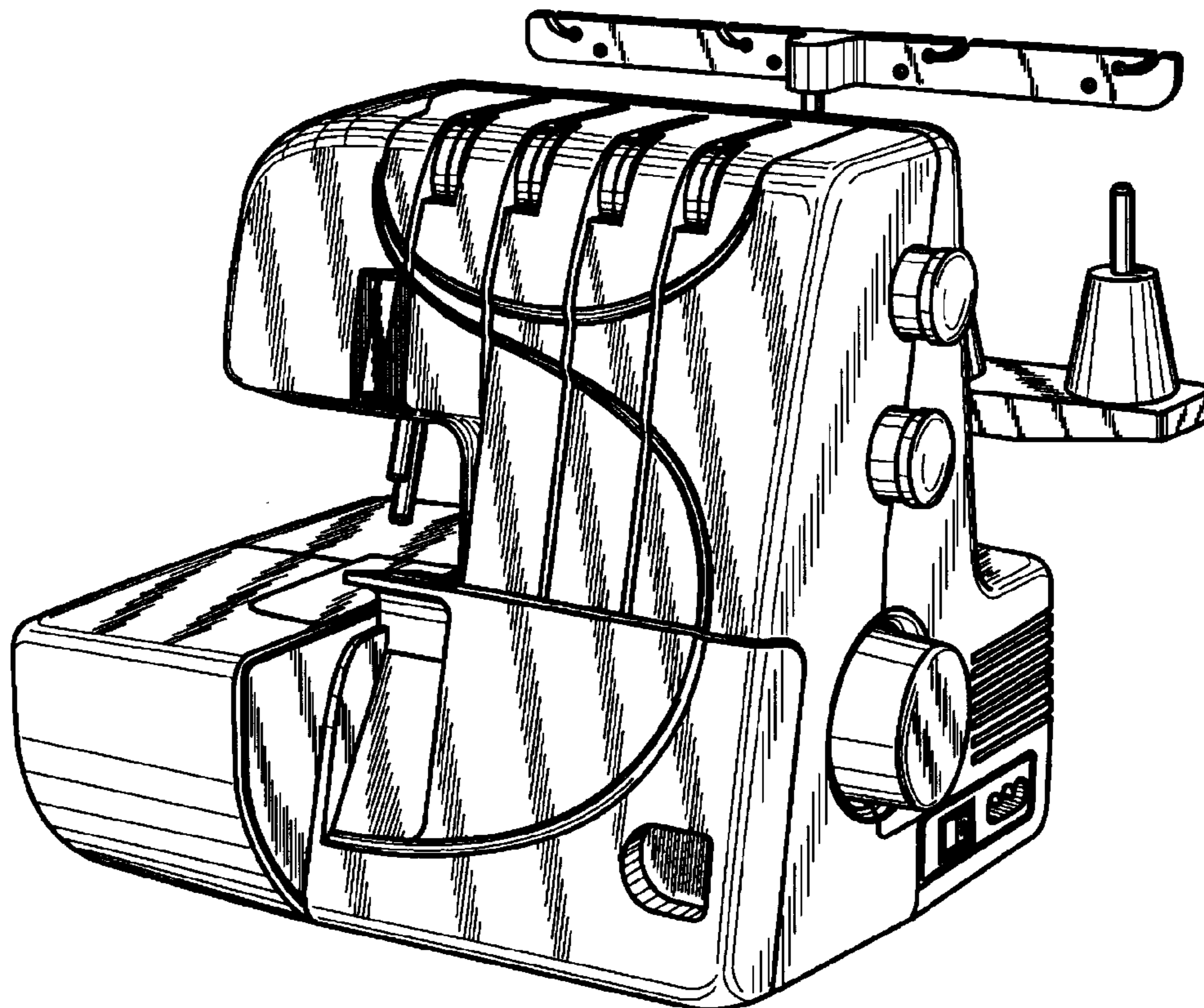
(57) **CLAIM**

The ornamental design for a sewing machine, as shown.

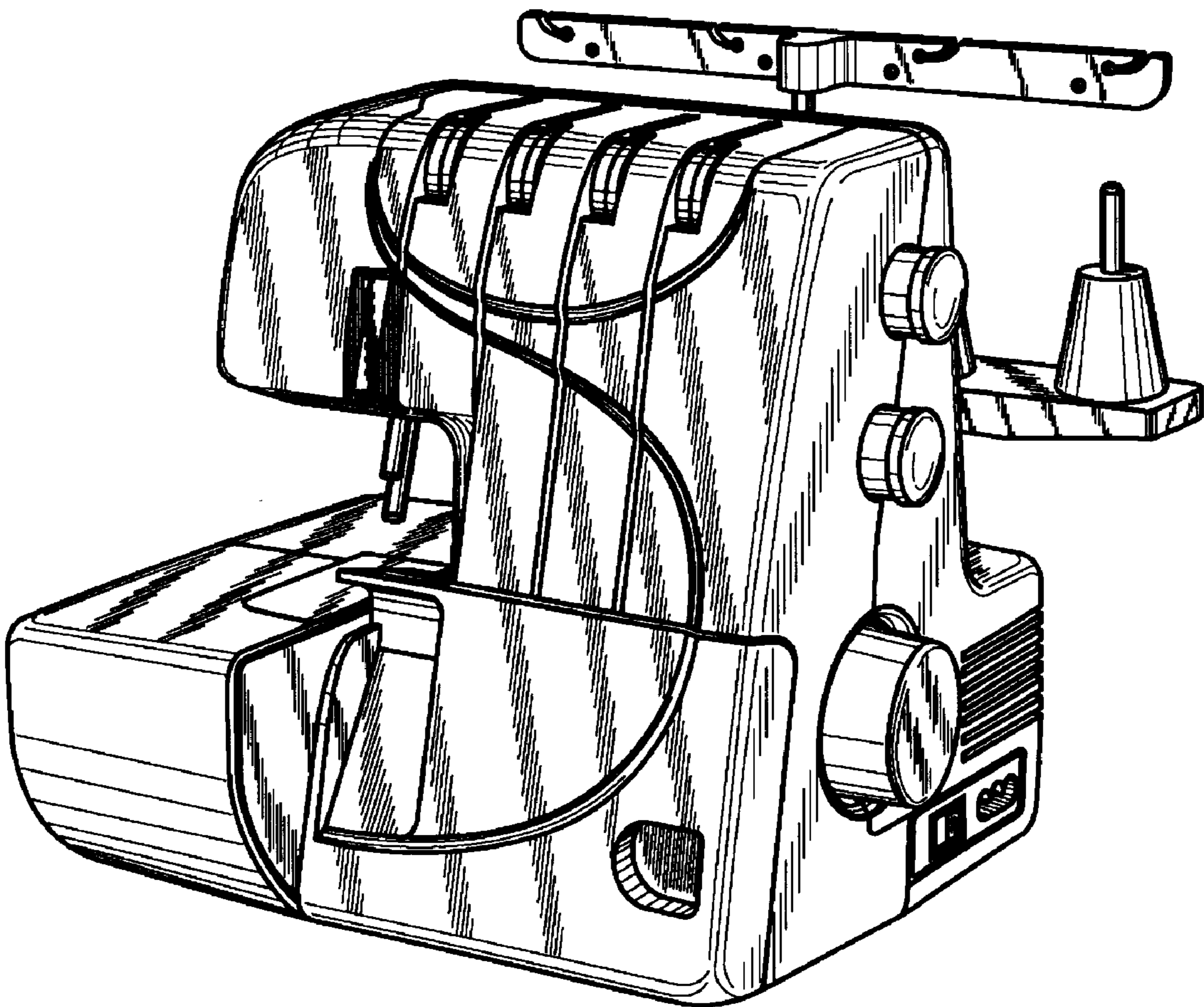
**DESCRIPTION**

FIG. 1 is a perspective view of the sewing machine of the present invention;  
 FIG. 2 is a first side view of the sewing machine of the present invention;  
 FIG. 3 is a second side view of the sewing machine of the present invention;  
 FIG. 4 is a rear view of the sewing machine of the present invention;  
 FIG. 5 is a front view of the sewing machine of the present invention;  
 FIG. 6 is a top view of the sewing machine of the present invention; and,  
 FIG. 7 is a bottom view of the sewing machine of the present invention.

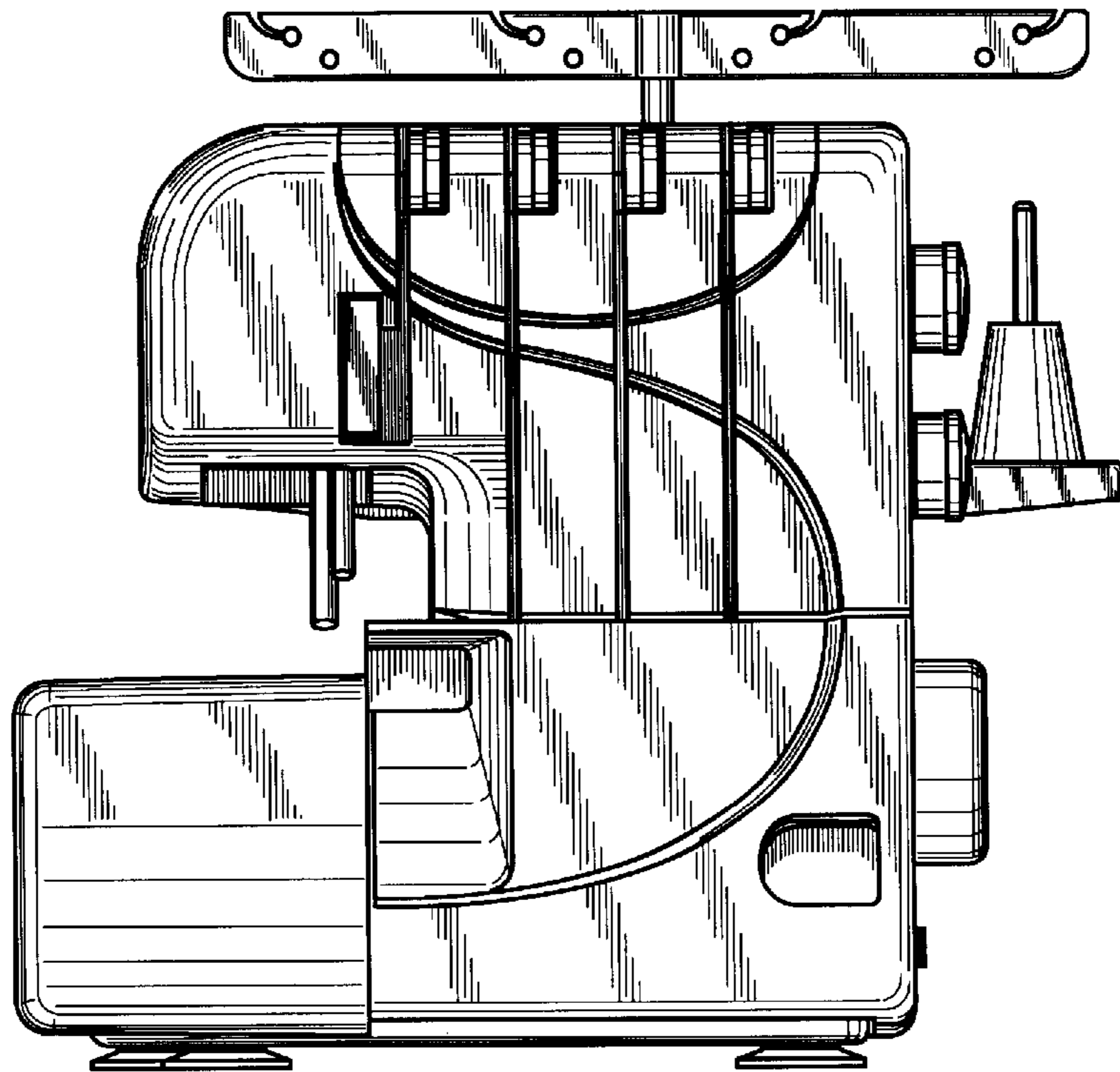
**1 Claim, 4 Drawing Sheets**



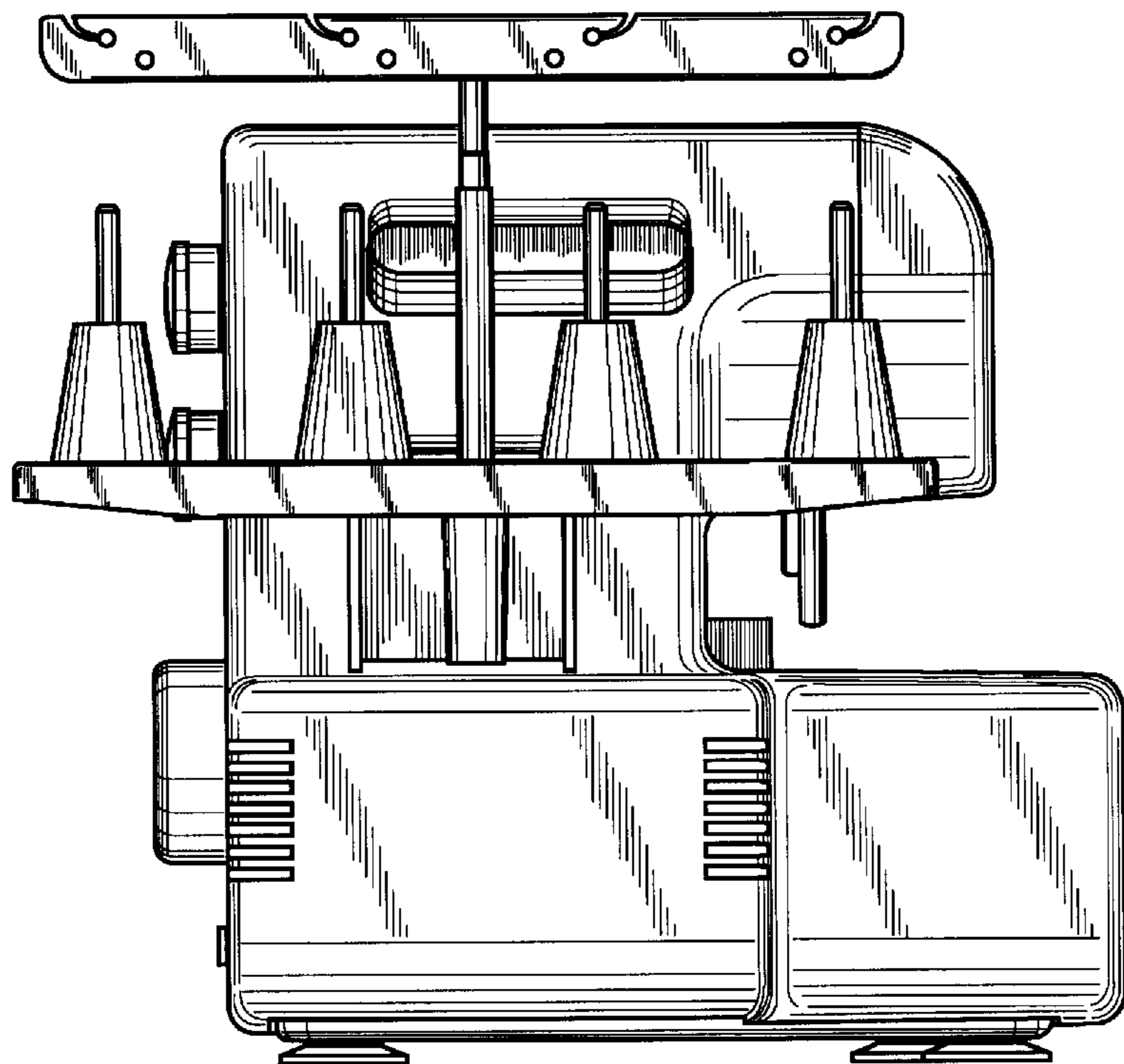
**FIG. 1**



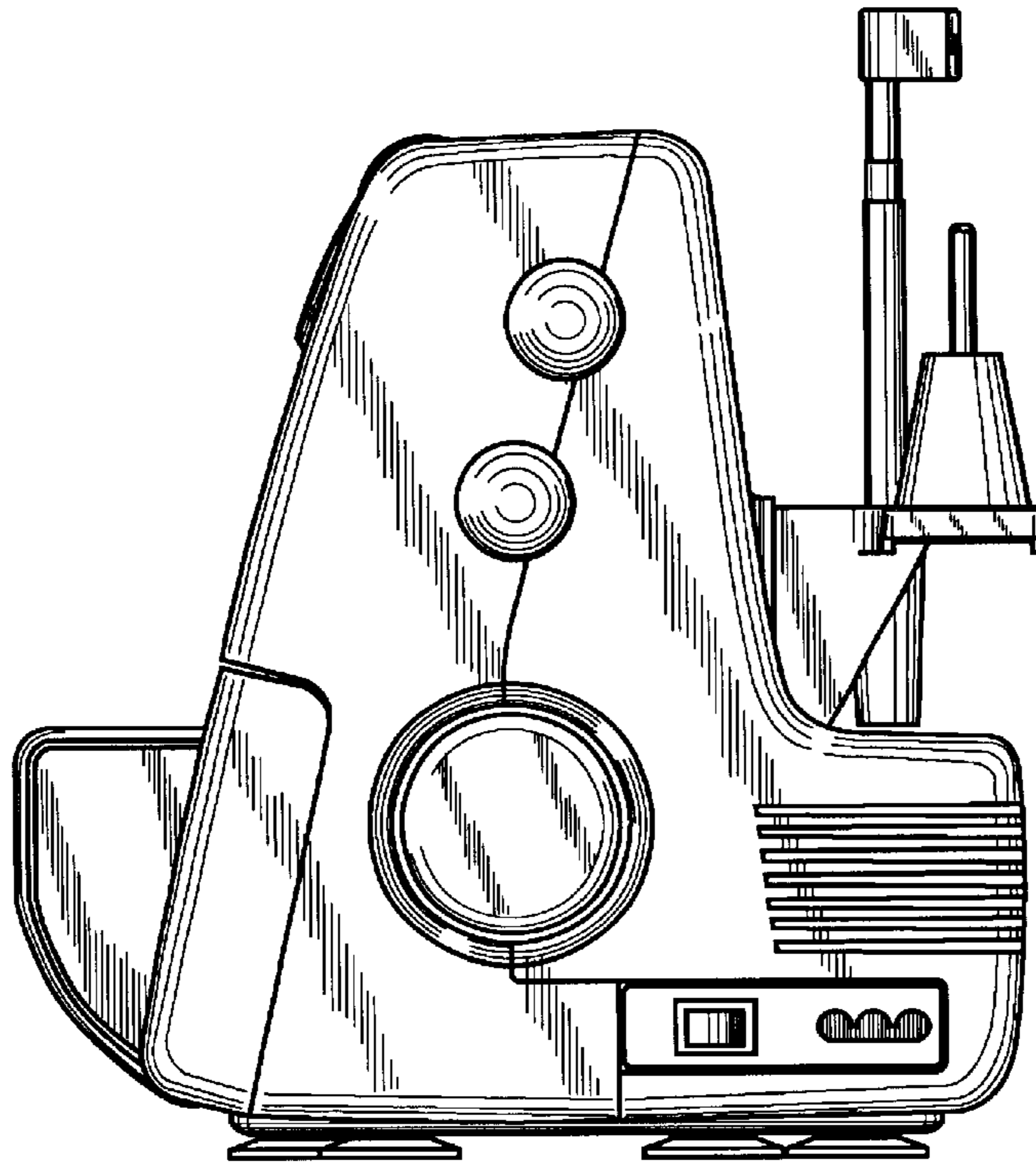
*FIG.2*



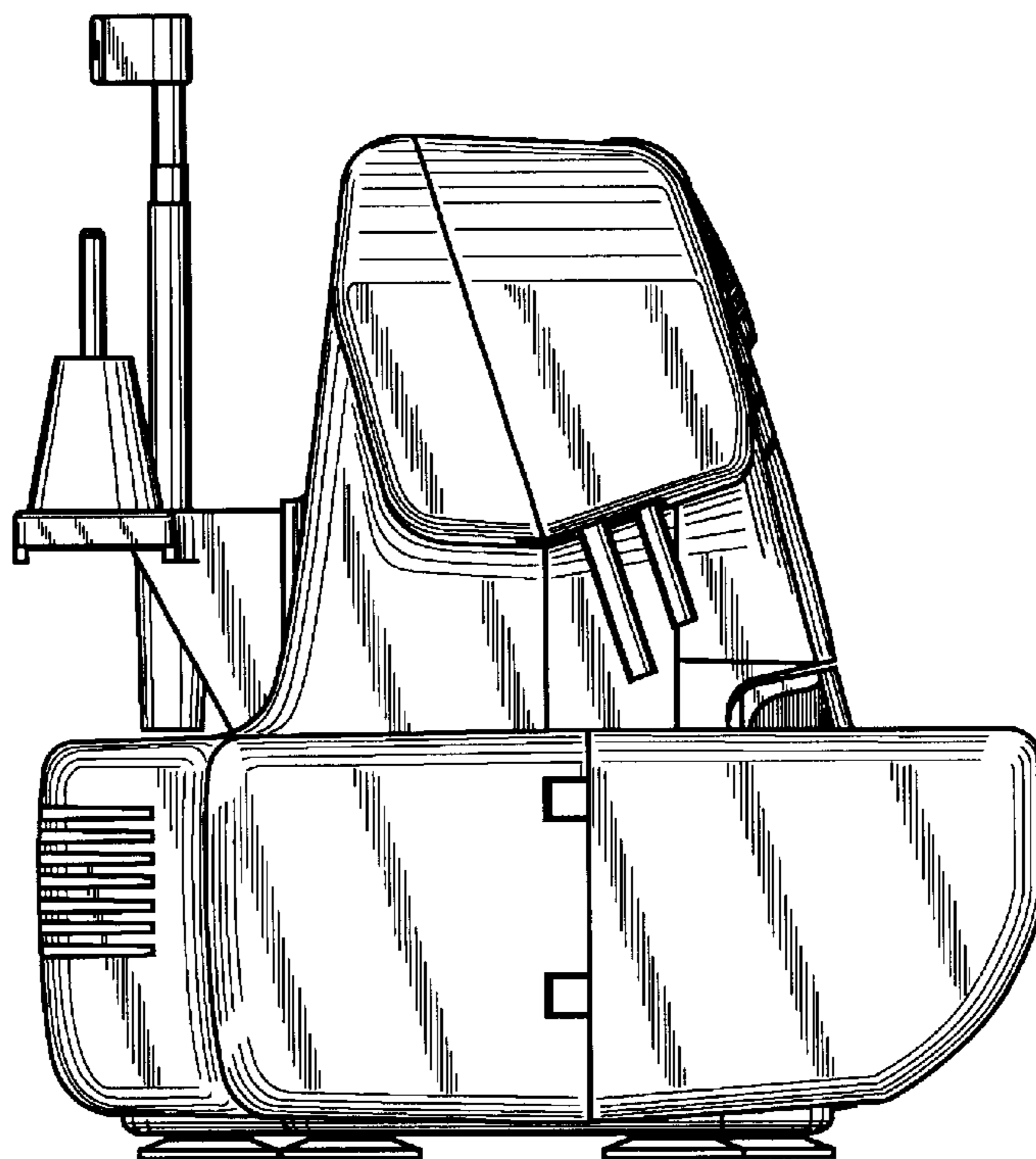
*FIG.3*



**FIG.4**

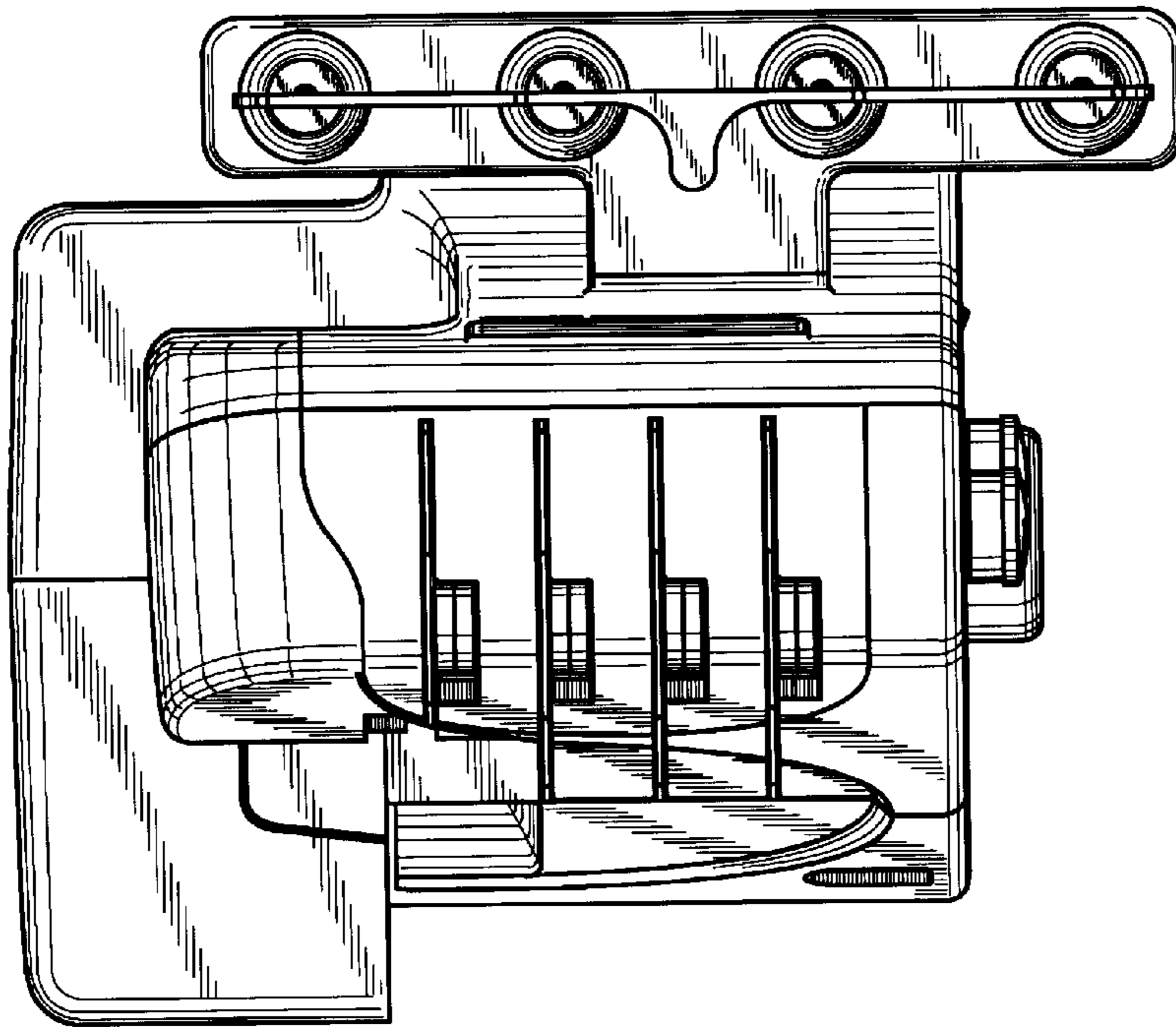


**FIG.5**





**FIG. 6**



**FIG. 7**

