



US00D478331S

(12) **United States Design Patent**
Khovaylo et al.

(10) **Patent No.: US D478,331 S**

(45) **Date of Patent: ** Aug. 12, 2003**

(54) **OPTICAL SCANNER**

(75) Inventors: **Modest Khovaylo**, Fort Collins, CO (US); **Scott Henderson**, Brooklyn, NY (US); **Przemyslaw Godycki**, New York, NY (US)

(73) Assignee: **Hewlett-Packard Development**, Houston, TX (US)

(**) Term: **14 Years**

(21) Appl. No.: **29/164,136**

(22) Filed: **Jul. 18, 2002**

(51) **LOC (7) Cl. 14-02**

(52) **U.S. Cl. D14/425**

(58) **Field of Search** D14/421, 422, D14/424, 425; D18/36, 37, 39; 250/556; 235/476, 482, 483, 470; 355/64, 65, 75, 81

(56) **References Cited**

U.S. PATENT DOCUMENTS

D336,078 S	6/1993	Khovaylo	
D412,496 S	8/1999	Khovaylo et al.	
D419,140 S	* 1/2000	Khovaylo et al. D14/425
D421,746 S	3/2000	Khovaylo et al.	
D443,277 S	* 6/2001	Khovaylo et al. D14/425
D444,150 S	* 6/2001	Khovaylo et al. D14/425
D447,142 S	8/2001	Khovaylo et al.	
D448,383 S	* 9/2001	Khovaylo et al. D14/425
D449,063 S	10/2001	Khovaylo et al.	
D450,668 S	11/2001	Khovaylo et al.	
D456,412 S	4/2002	Khovaylo et al.	

OTHER PUBLICATIONS

U.S. Design patent application Ser. No. 29/164,123, filed Jul. 18, 2002 for "Optical Scanner Assembly" of Modest Khovaylo, et al.

U.S. Design patent application Ser. No. 29/164,122 filed Jul. 18, 2002 for "Optical Scanner" of Modest Khovaylo, et al.

U.S. Design patent application Ser. No. 29/164,137, filed Jul. 18, 2002 for "Optical Scanner" of Modest Khovaylo, et al.

U.S. Design patent application Ser. No. 29/164,138, filed Jul. 18, 2002 for "Optical Scanner Assembly" of Modest Khovaylo, et al.

U.S. Design patent application Ser. No. 29/164,135, filed Jul. 18, 2002 for "Optical Scanner Assembly" of Modest Khovaylo, et al.

* cited by examiner

Primary Examiner—Freda Nunn

(57) **CLAIM**

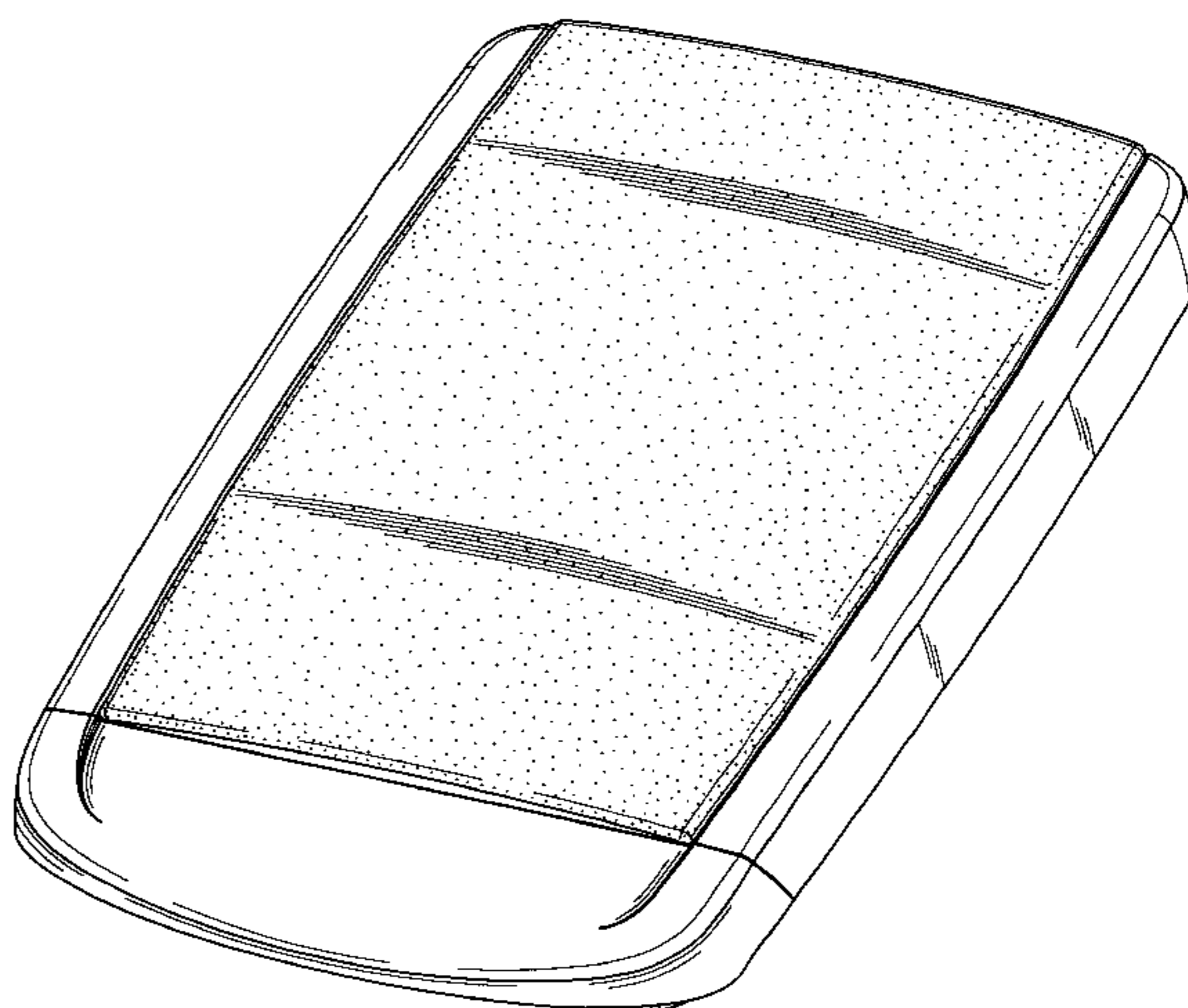
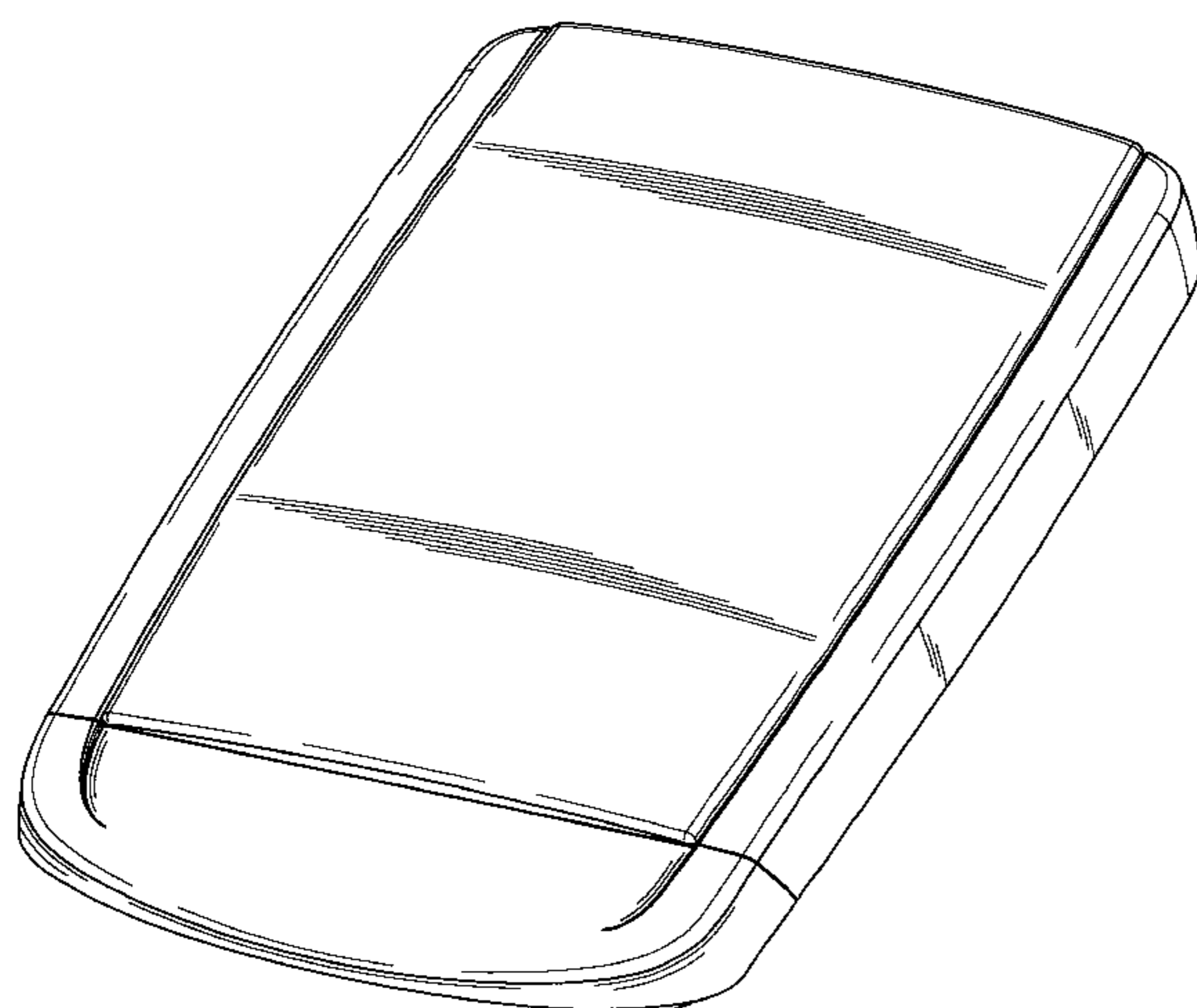
The ornamental design for an optical scanner, as shown and described.

DESCRIPTION

FIG. 1 is a top front isometric view of an optical scanner; FIG. 2 is a top right side isometric view thereof; FIG. 3 is a top plan view thereof; FIG. 4 is a bottom plan view thereof; FIG. 5 is a front elevation view thereof; FIG. 6 is a rear elevation view thereof; FIG. 7 is a left side elevation view thereof; FIG. 8 is a right side elevation view thereof; FIG. 9 is a top front isometric view of a second embodiment of an optical scanner; FIG. 10 is a top right side isometric view of the second embodiment; FIG. 11 is a top plan view of the second embodiment; FIG. 12 is a bottom plan view of the second embodiment; FIG. 13 is a front elevation view of the second embodiment; FIG. 14 is a rear elevation view of the second embodiment; FIG. 15 is a left side elevation of the second embodiment; and, FIG. 16 is a right side view of the second embodiment.

In FIGS. 9–16 the areas including stipple shading have a different contrasting color as compared to the areas that do not include stipple shading. Features shown in dashed lines in the drawing figures form no part of the claimed design of the particular embodiment shown in the subject drawing figures.

1 Claim, 12 Drawing Sheets



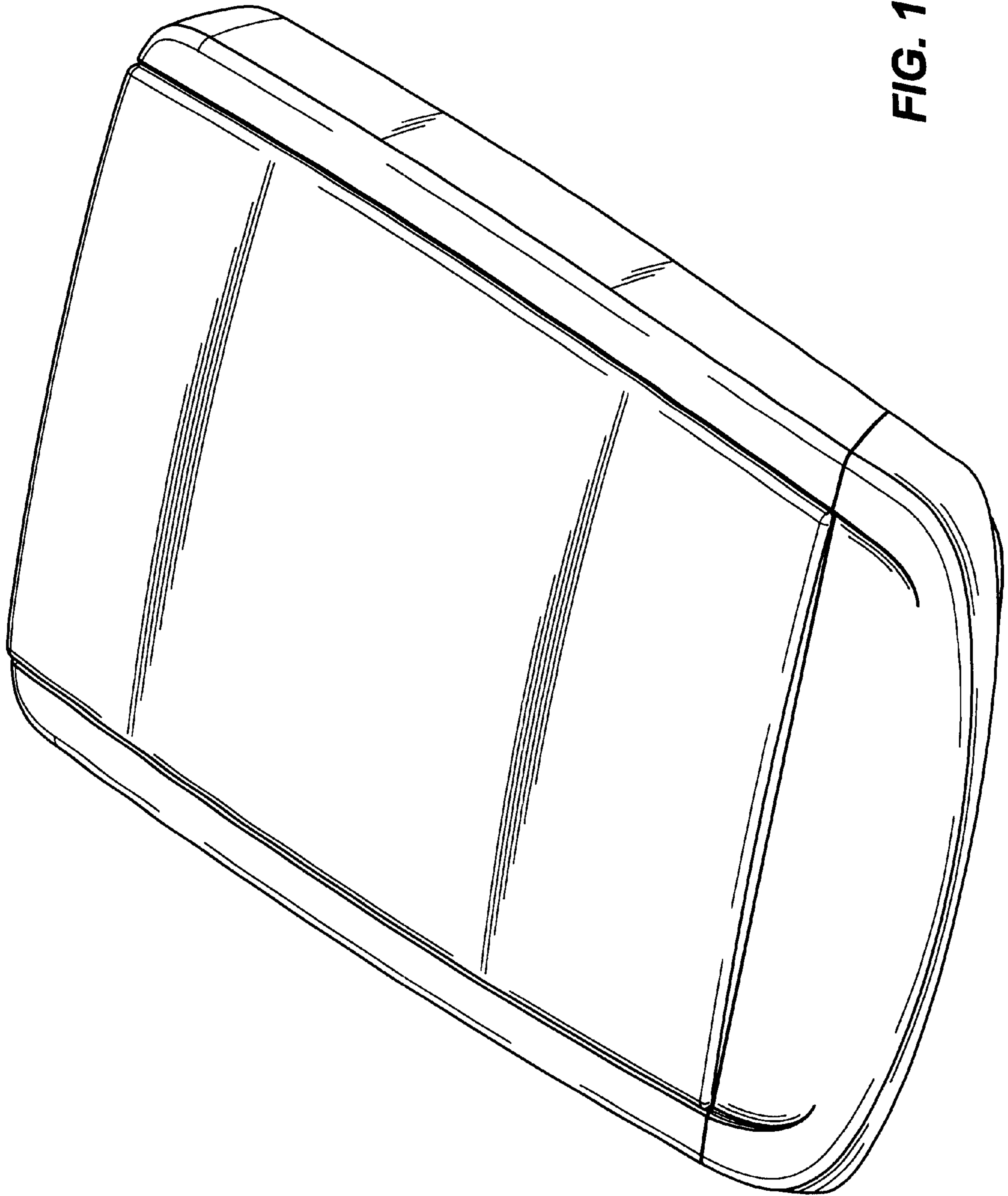


FIG. 1

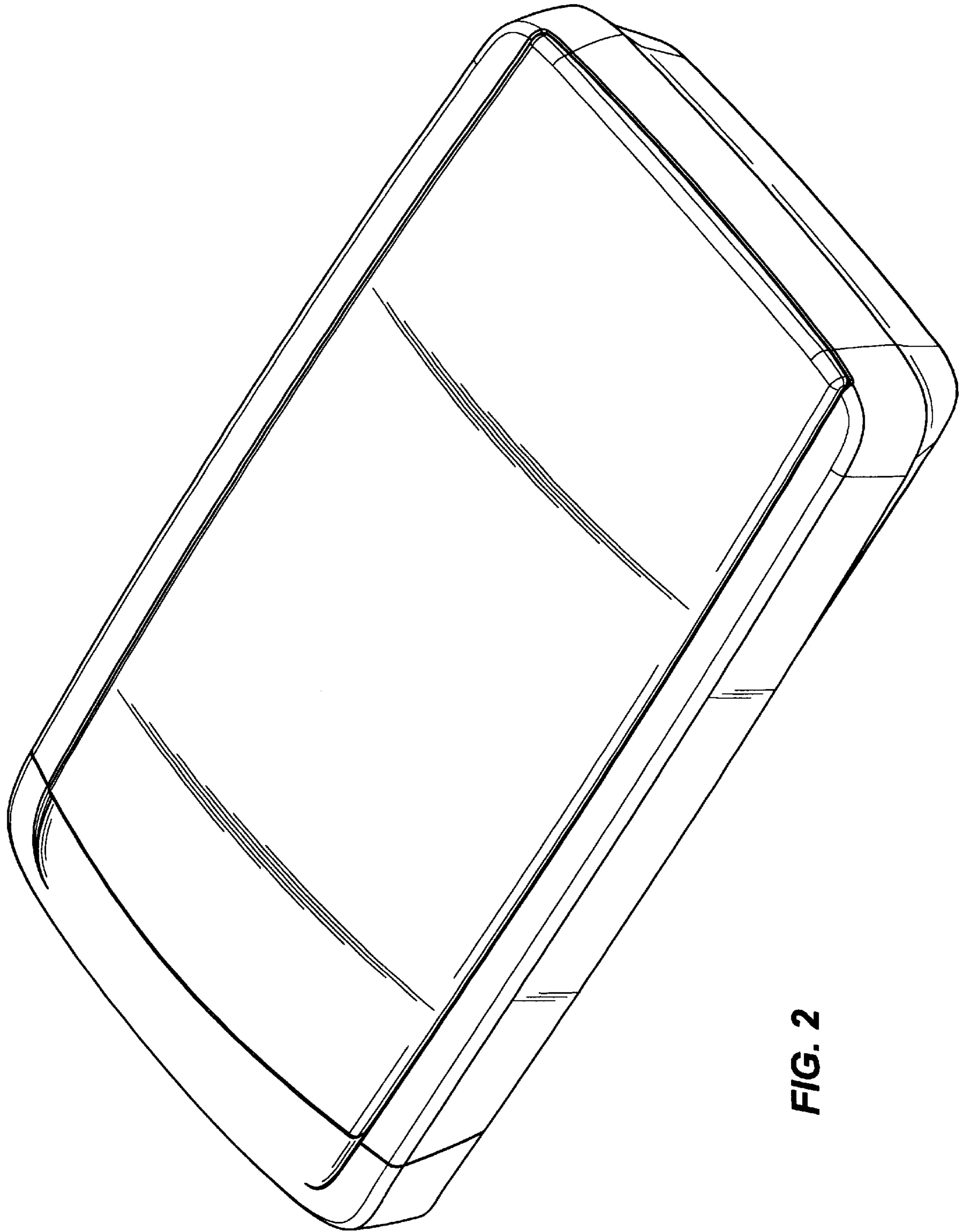


FIG. 2

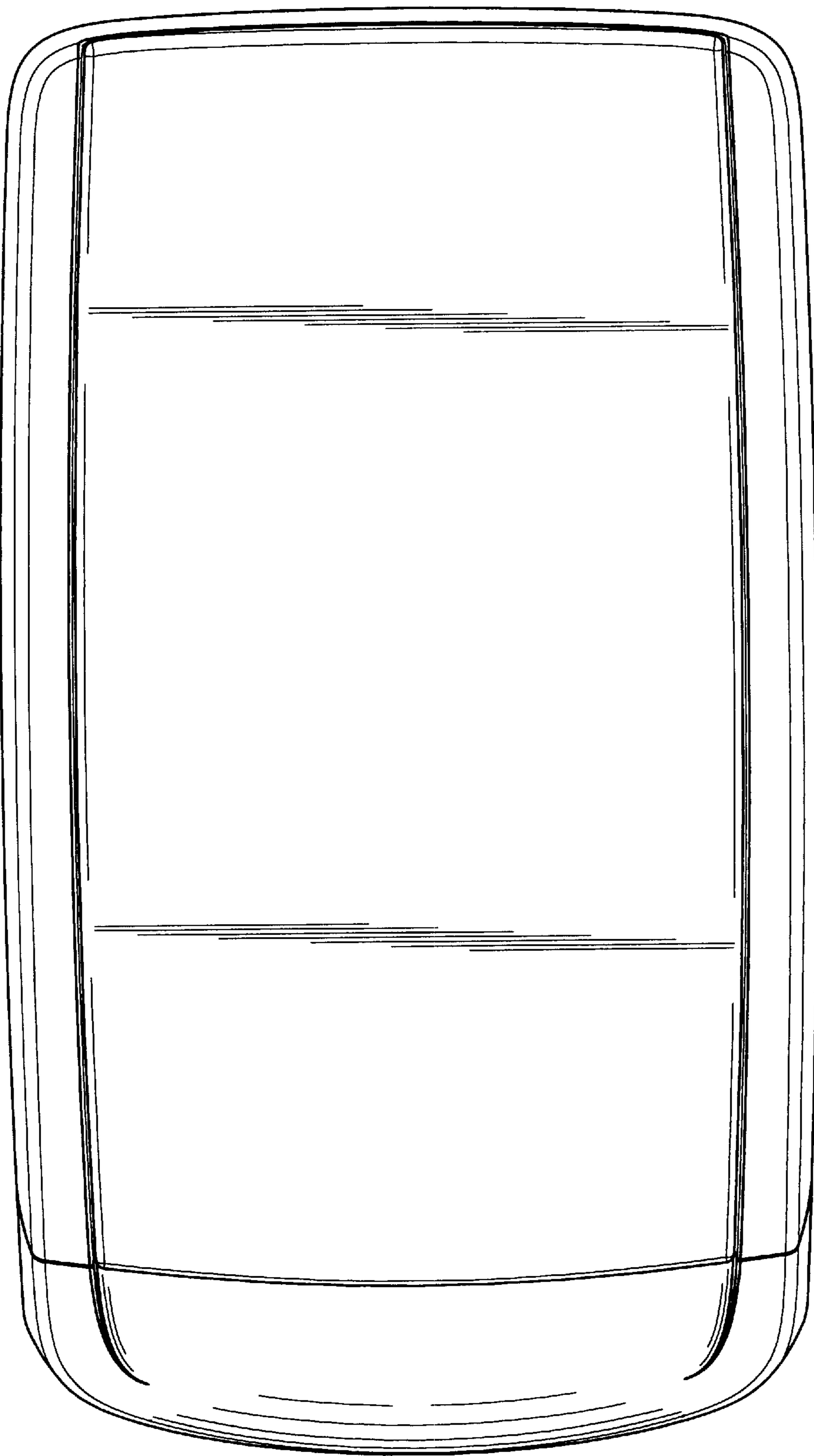


FIG. 3

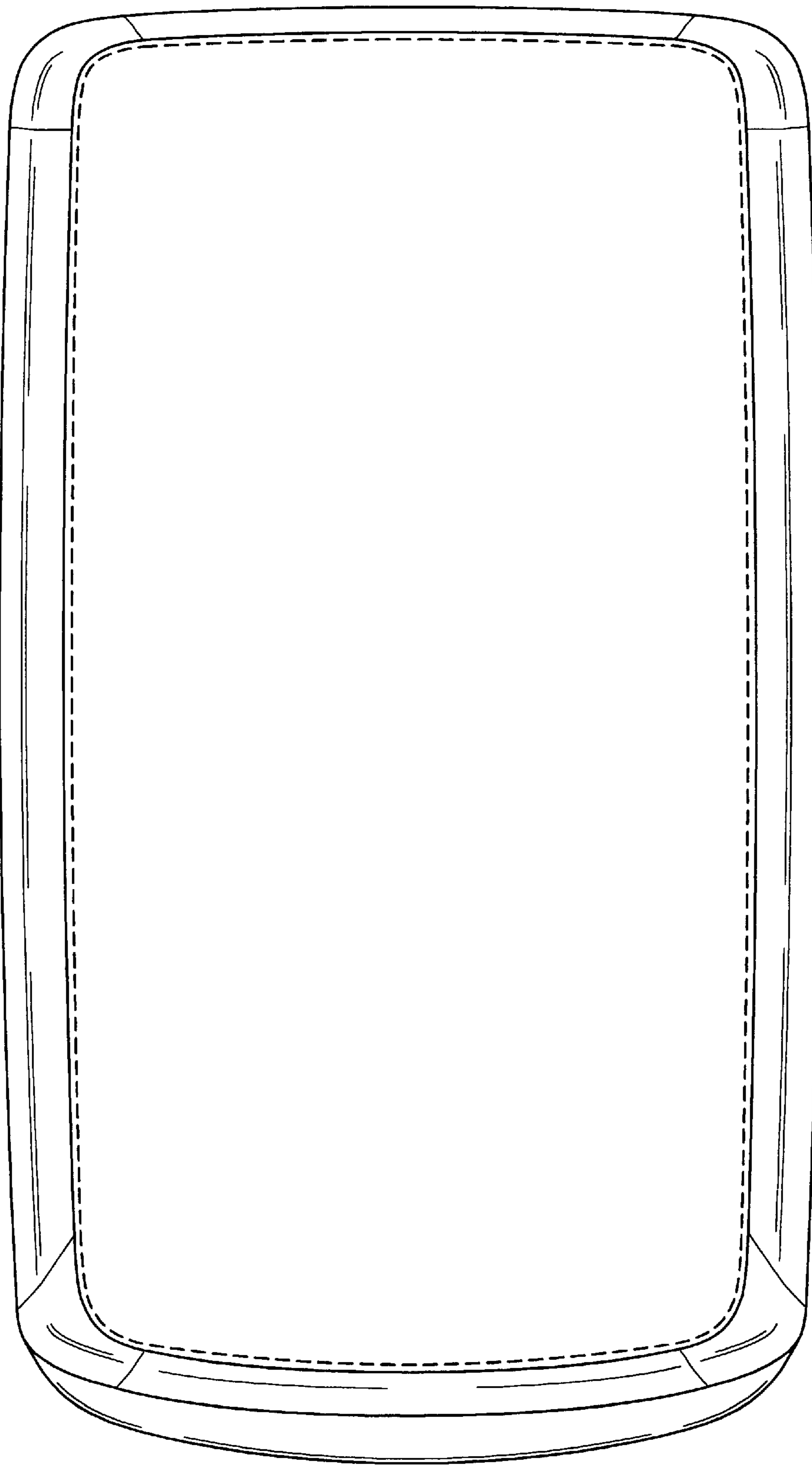


FIG. 4

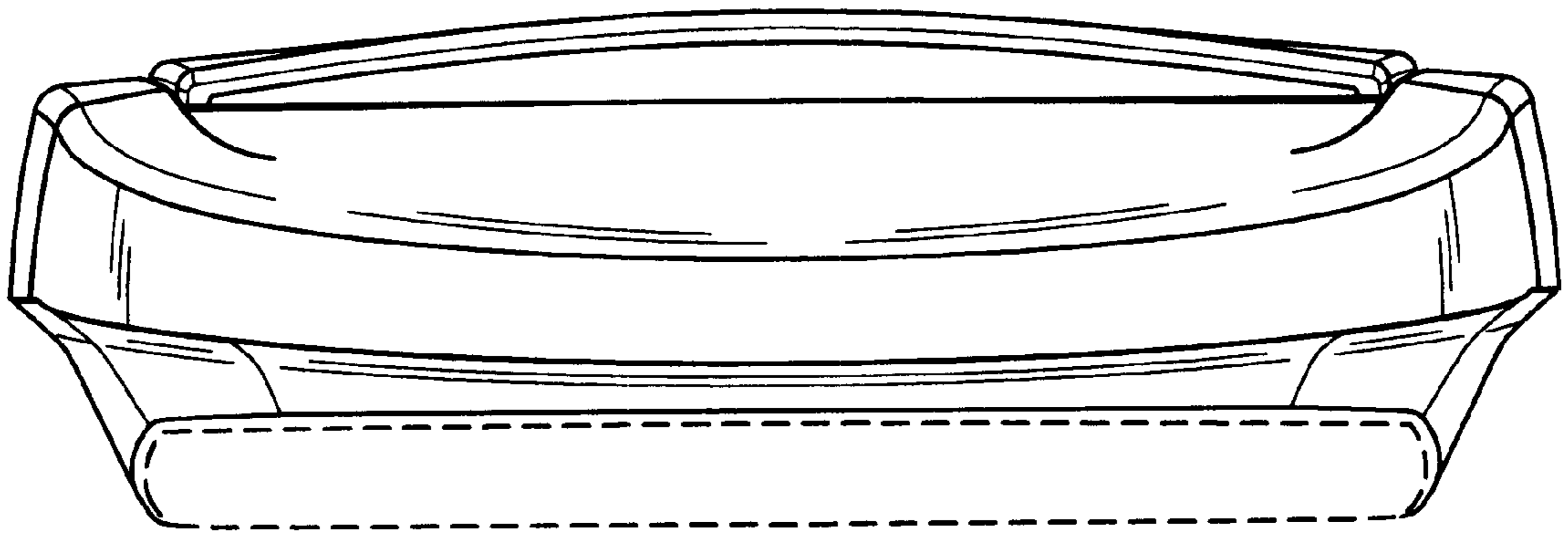


FIG. 5

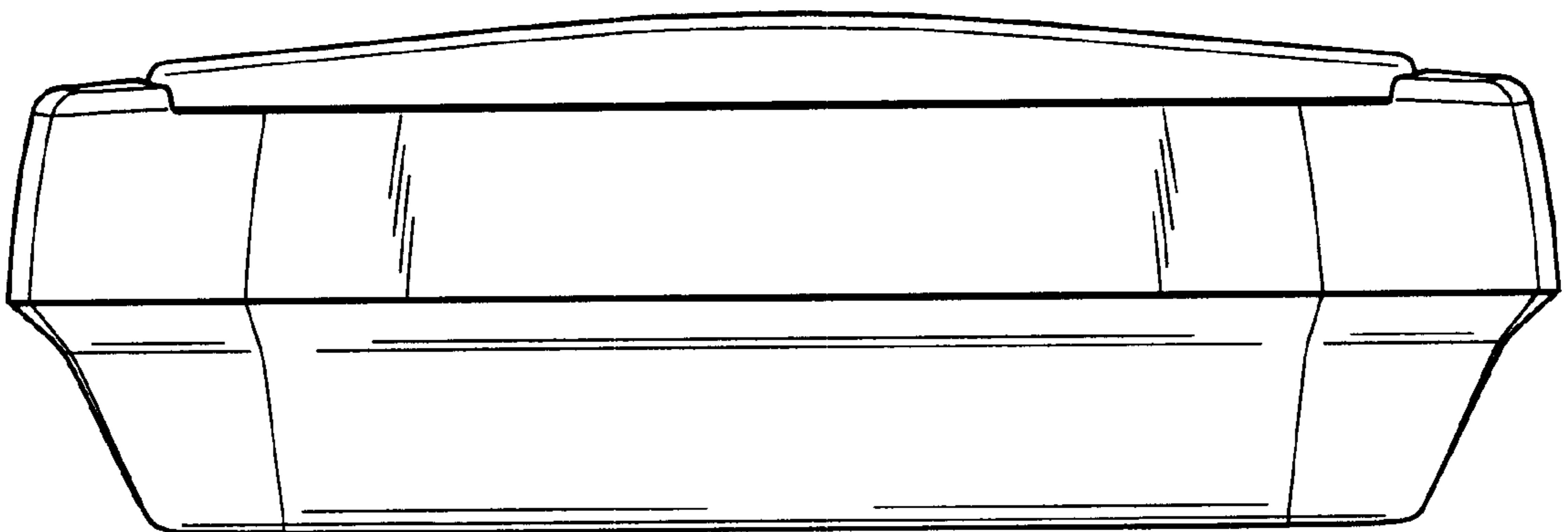


FIG. 6

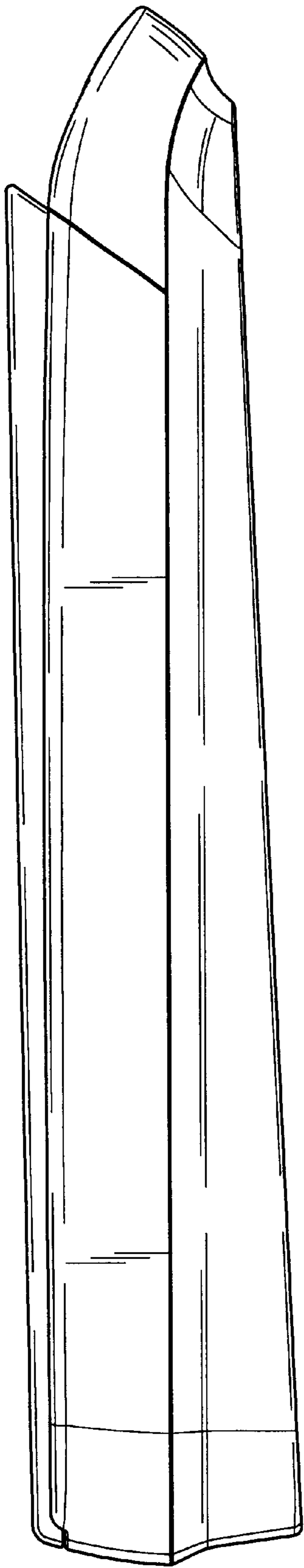


FIG. 7

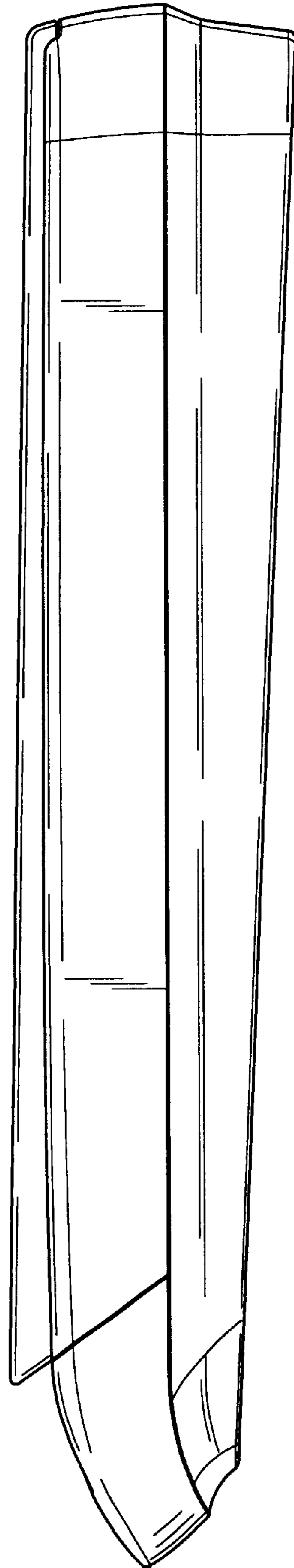


FIG. 8

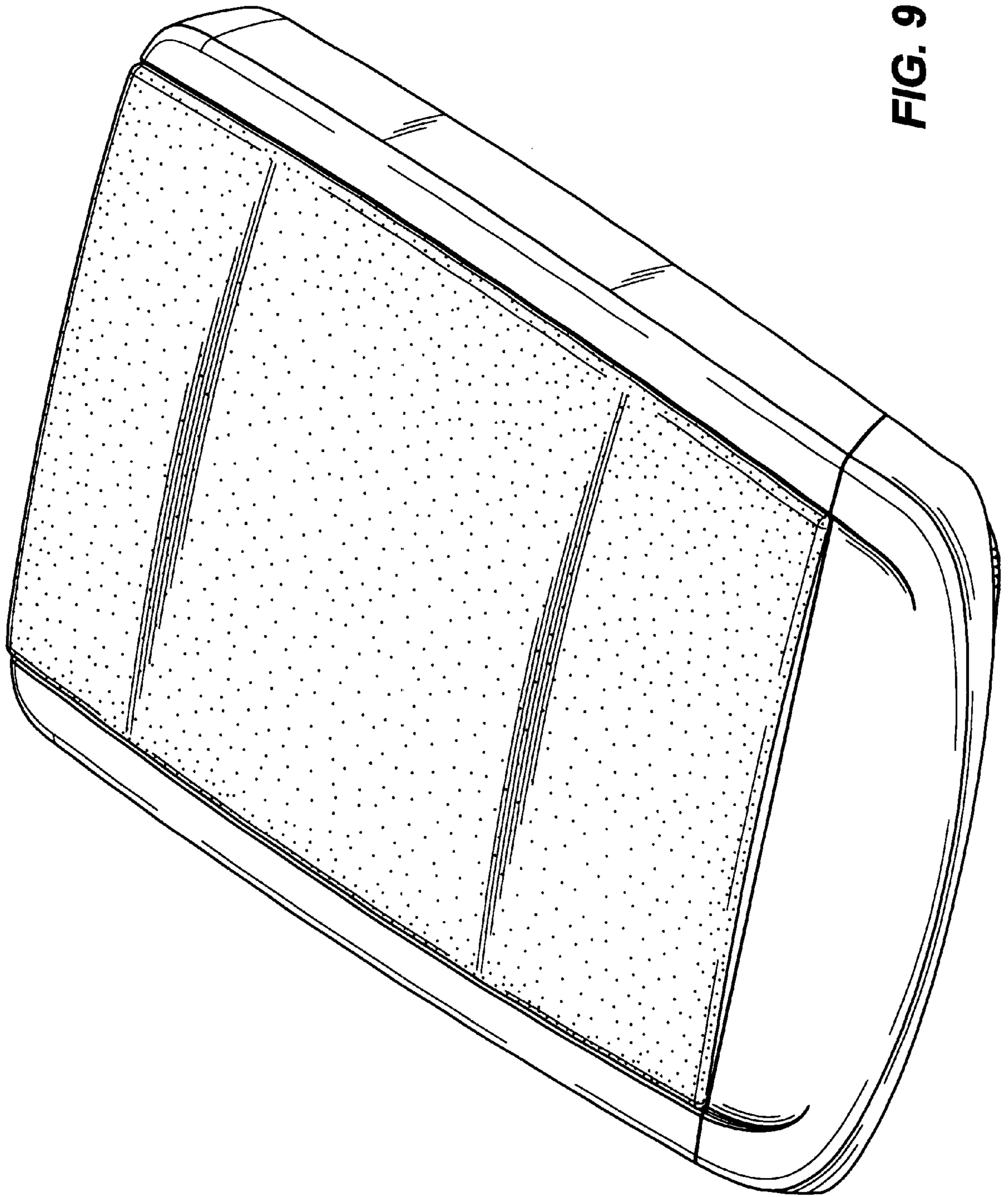


FIG. 9

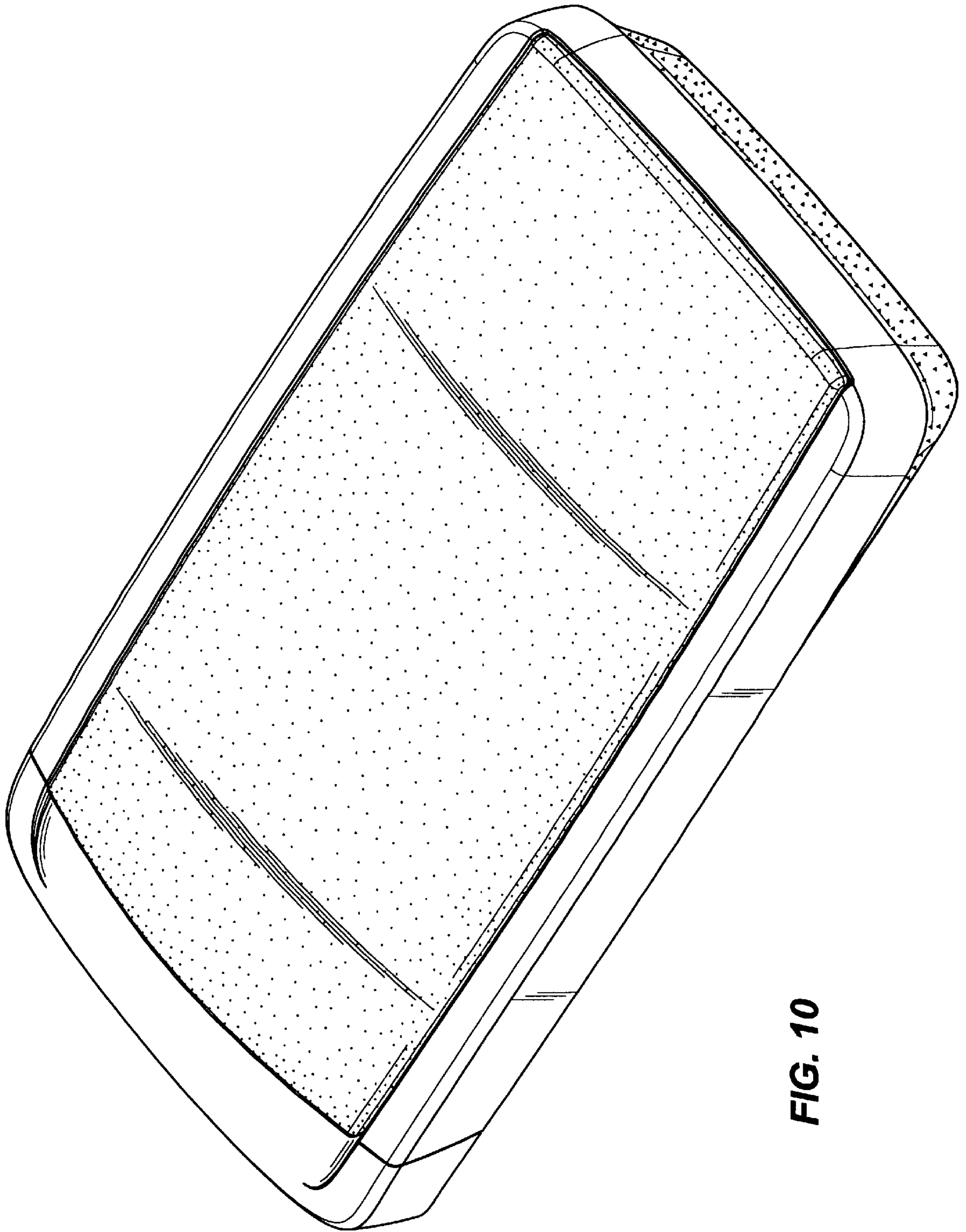


FIG. 10

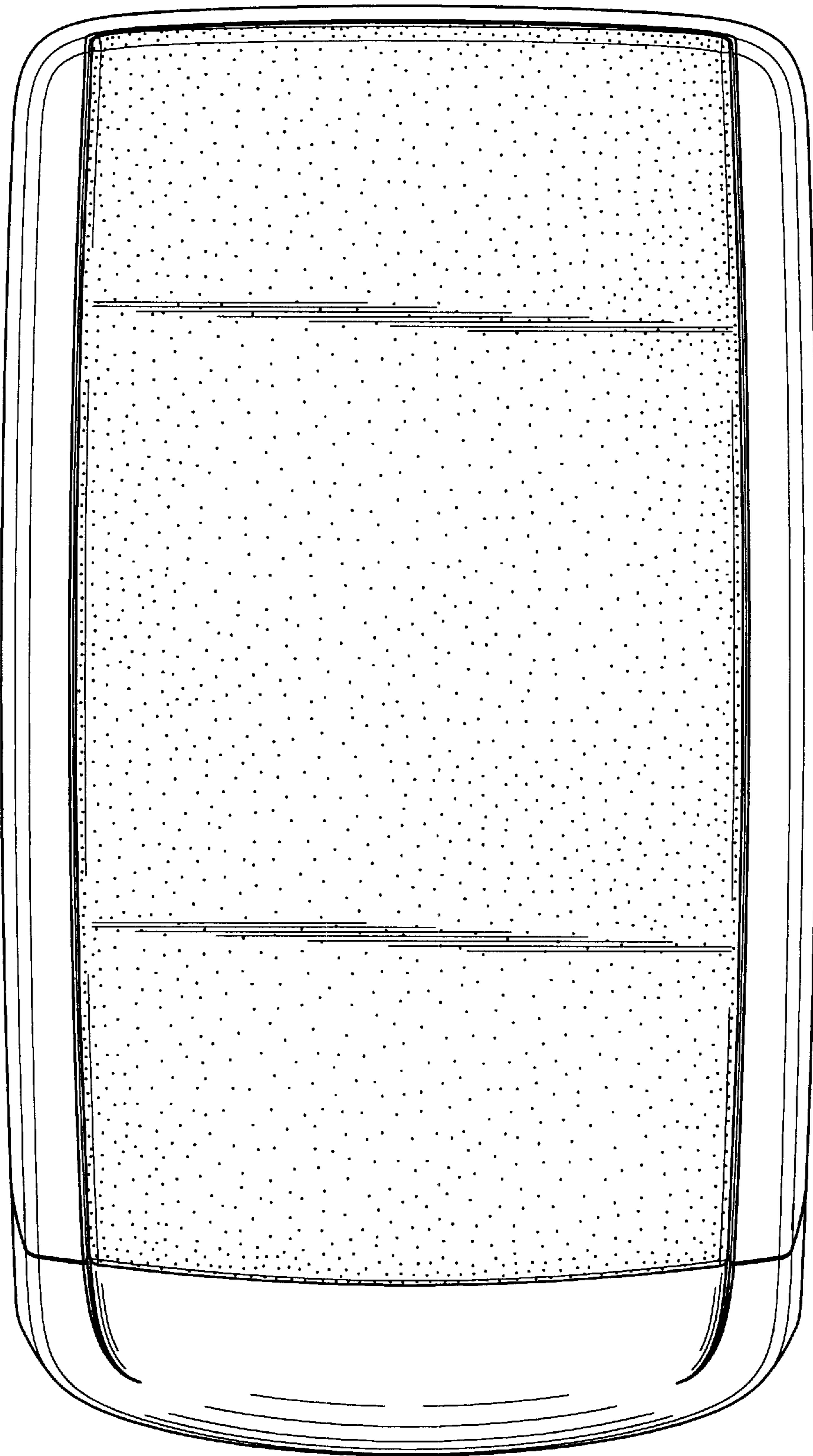


FIG. 11

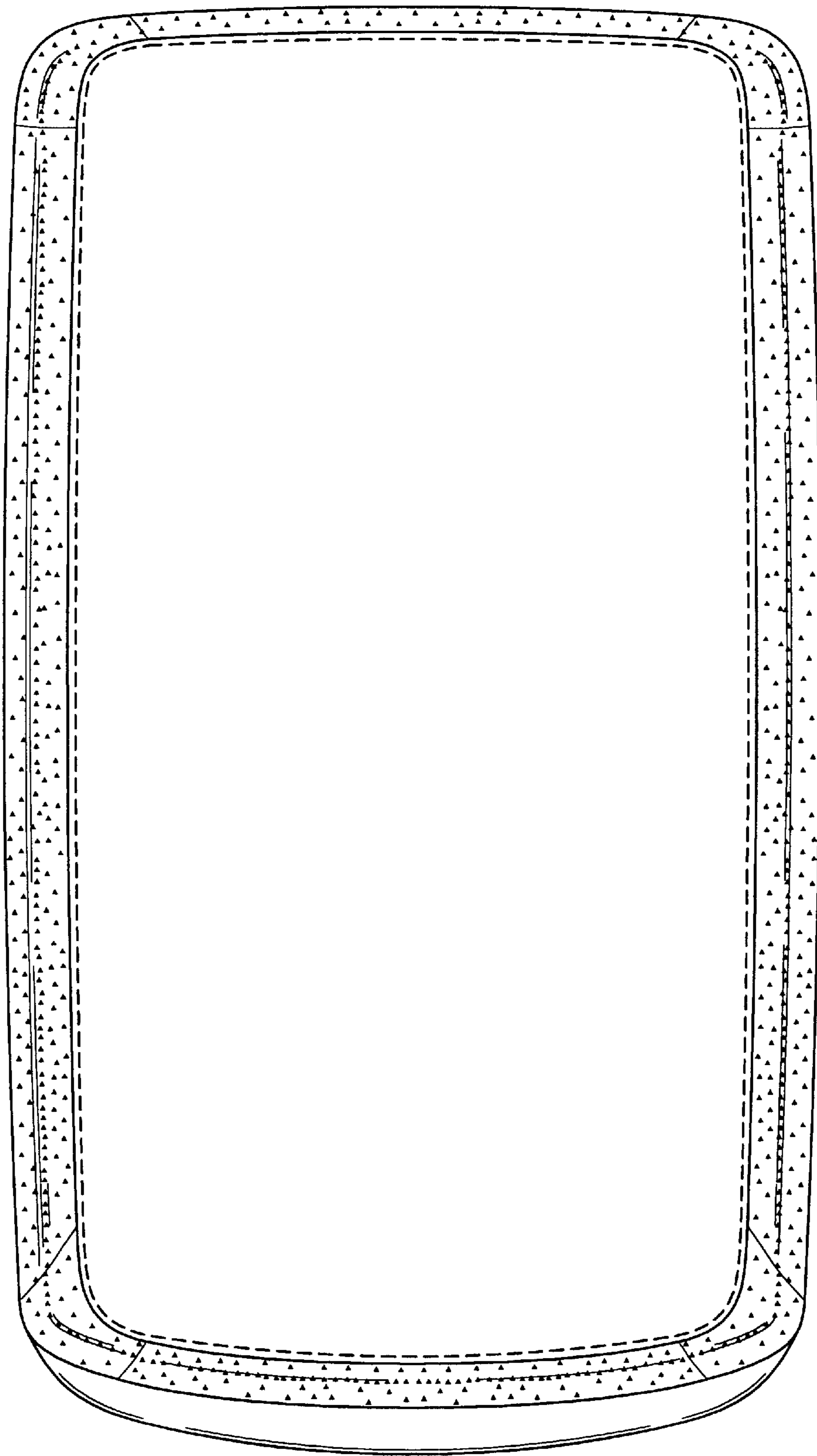


FIG. 12

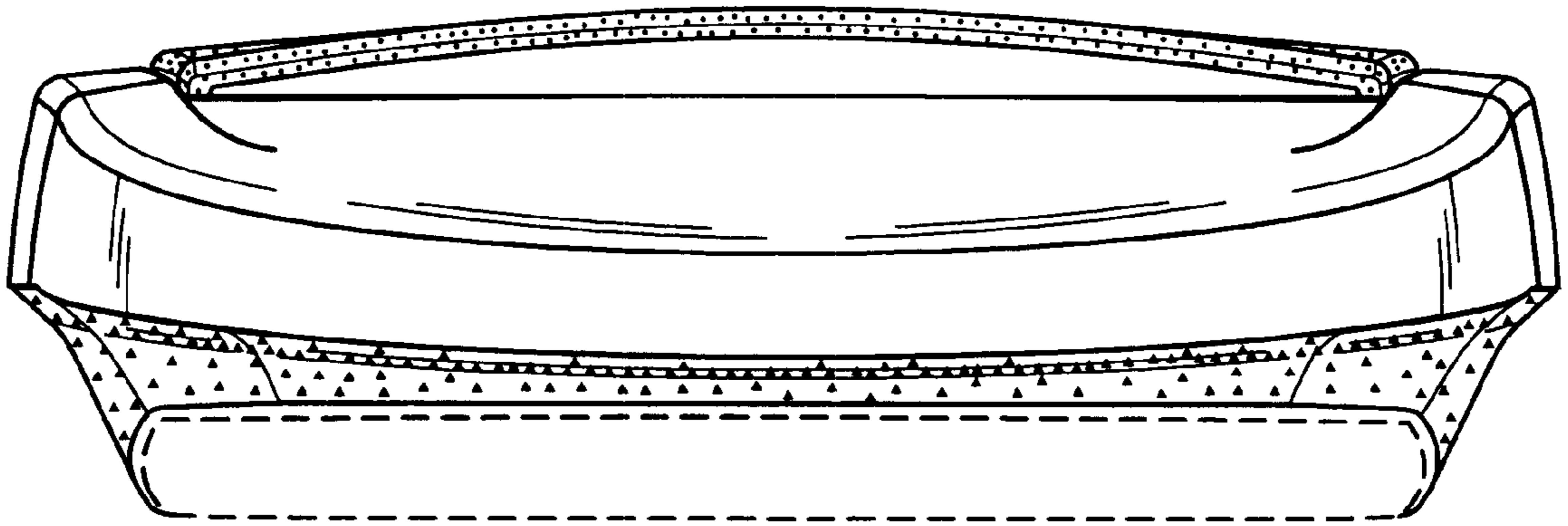


FIG. 13

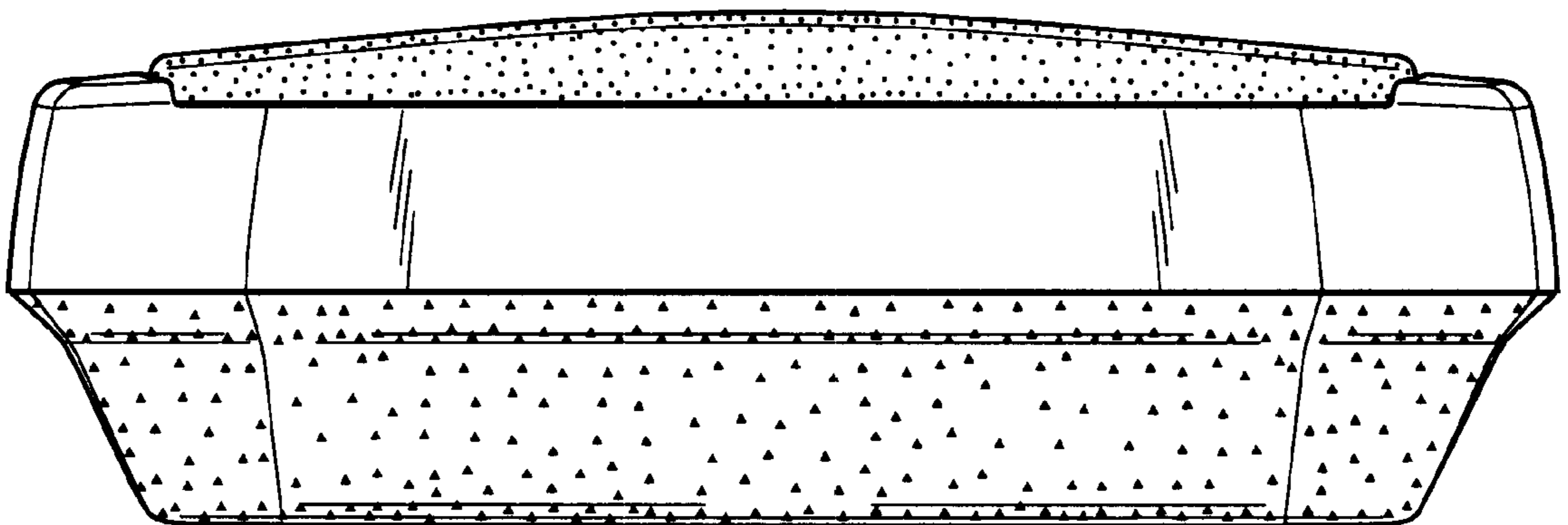


FIG. 14

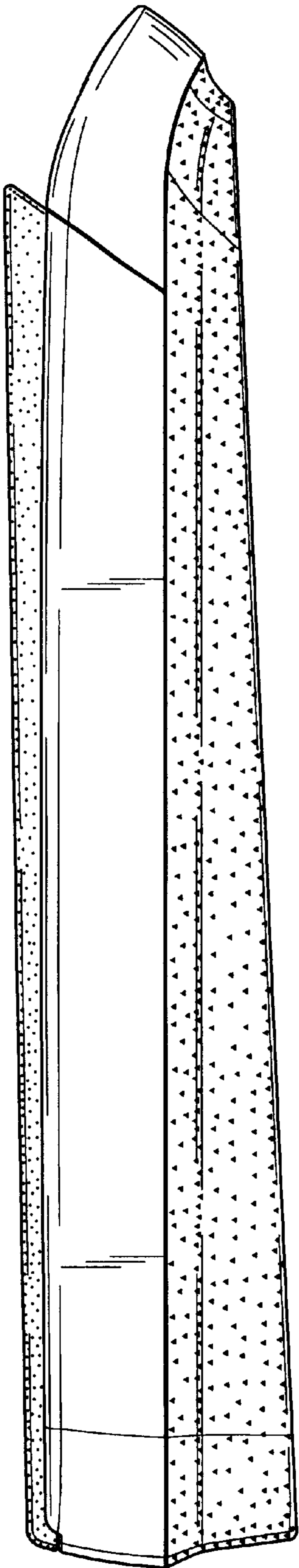


FIG. 15

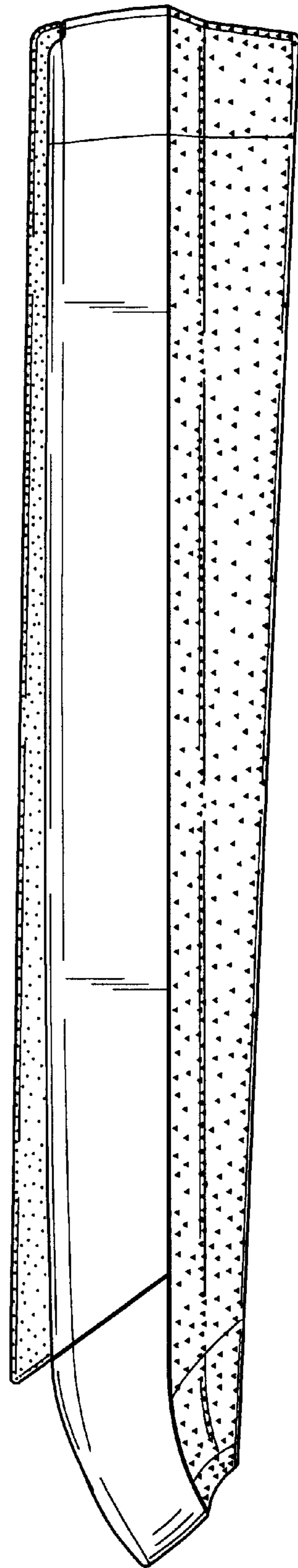


FIG. 16