



US00D478330S

(12) **United States Design Patent**
Yang

(10) **Patent No.:** **US D478,330 S**

(45) **Date of Patent:** **** Aug. 12, 2003**

(54) **HAND ELECTRIC CONTROL DEVICE**

D410,232 S * 5/1999 Yang D14/417

(76) **Inventor:** **Tai-Her Yang**, No. 59, Chung Hsiao 8 St., Si-Hu Town, Dzan-Hwa (TW)

* cited by examiner

(**) **Term:** **14 Years**

Primary Examiner—Kay H. Chin

(74) *Attorney, Agent, or Firm*—Rabin & Berdo, P.C.

(21) **Appl. No.:** **29/154,666**

(57) **CLAIM**

(22) **Filed:** **Jan. 23, 2002**

The ornamental design for a hand electric control device, as shown and described.

(51) **LOC (7) Cl.** **14-02**

DESCRIPTION

(52) **U.S. Cl.** **D14/417; D14/402**

(58) **Field of Search** D14/402-410,
D14/417, 432; D13/158; 200/5 R, 5 A,
6 R, 6 A; 273/148 B; 345/156-167; 74/471 XY;
463/36, 37, 38

FIG. 1 is a perspective view of a hand electric control device showing my new design.

FIG. 2 is a front view thereof.

FIG. 3 is a rear view thereof.

FIG. 4 is a left side view thereof.

FIG. 5 is a right side view thereof.

FIG. 6 is a top view thereof; and,

FIG. 7 is a bottom view thereof.

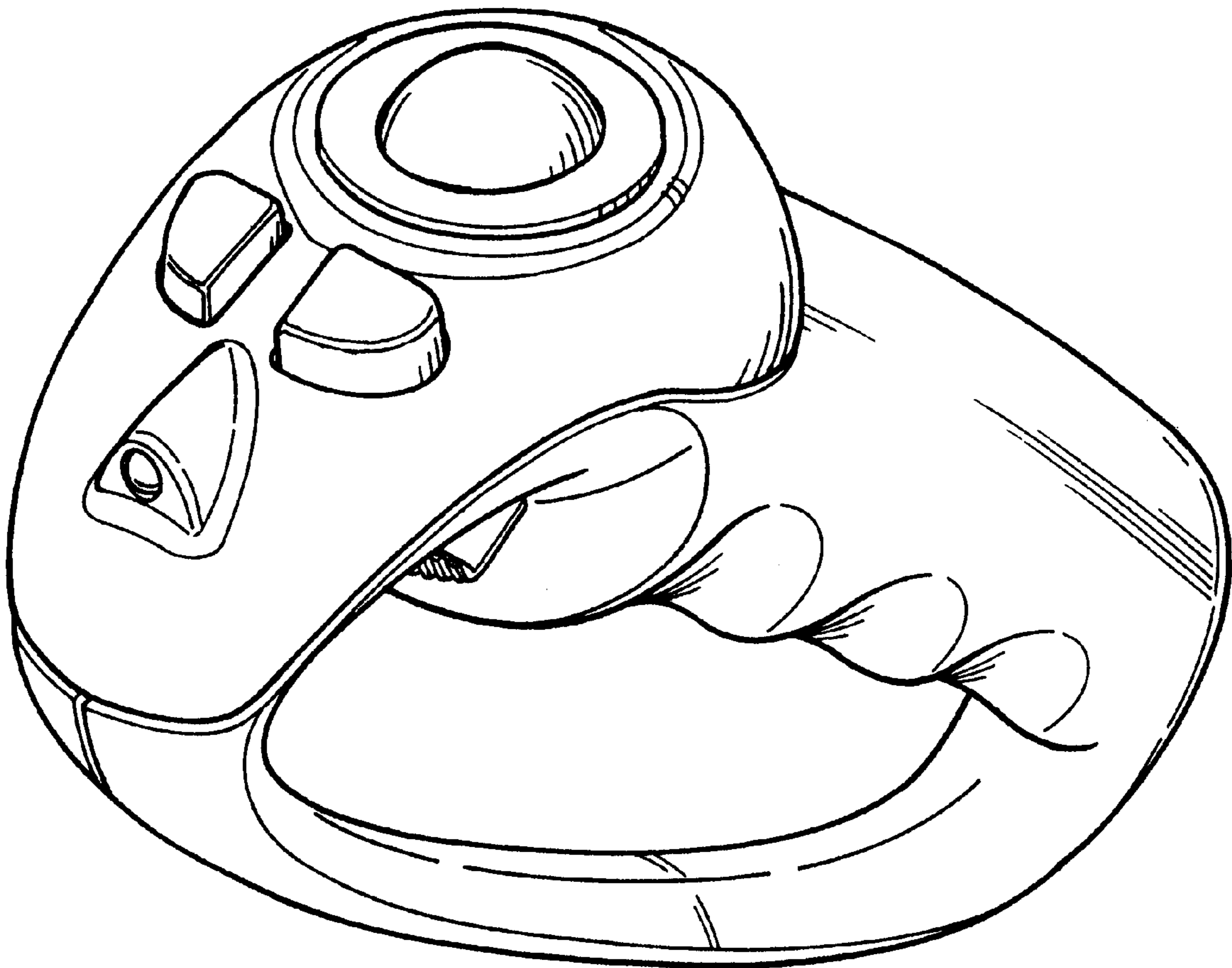
(56) **References Cited**

U.S. PATENT DOCUMENTS

5,355,147 A * 10/1994 Lear 345/156

D364,862 S * 12/1995 Hilbrink et al. D14/402

1 Claim, 4 Drawing Sheets



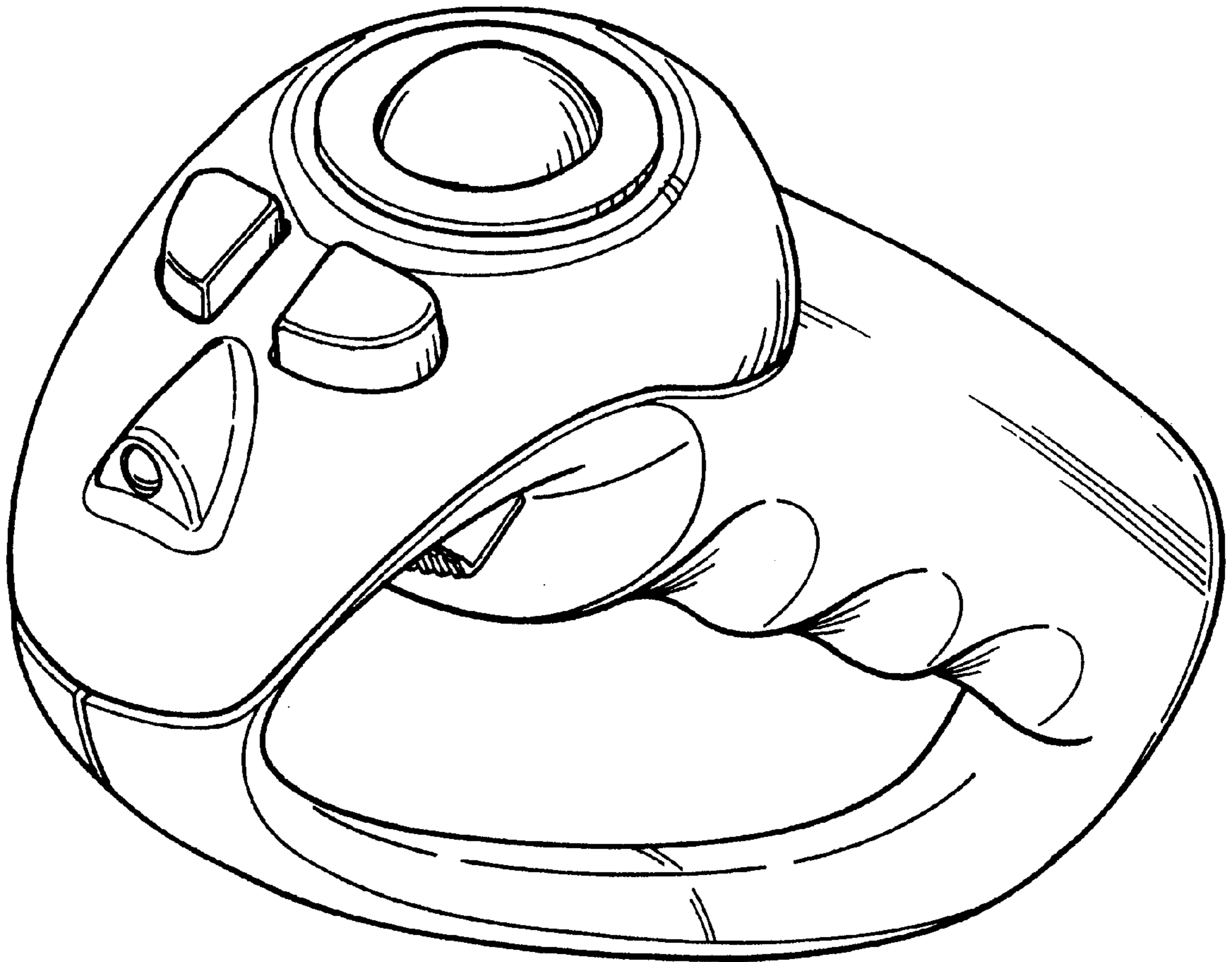


FIG.1

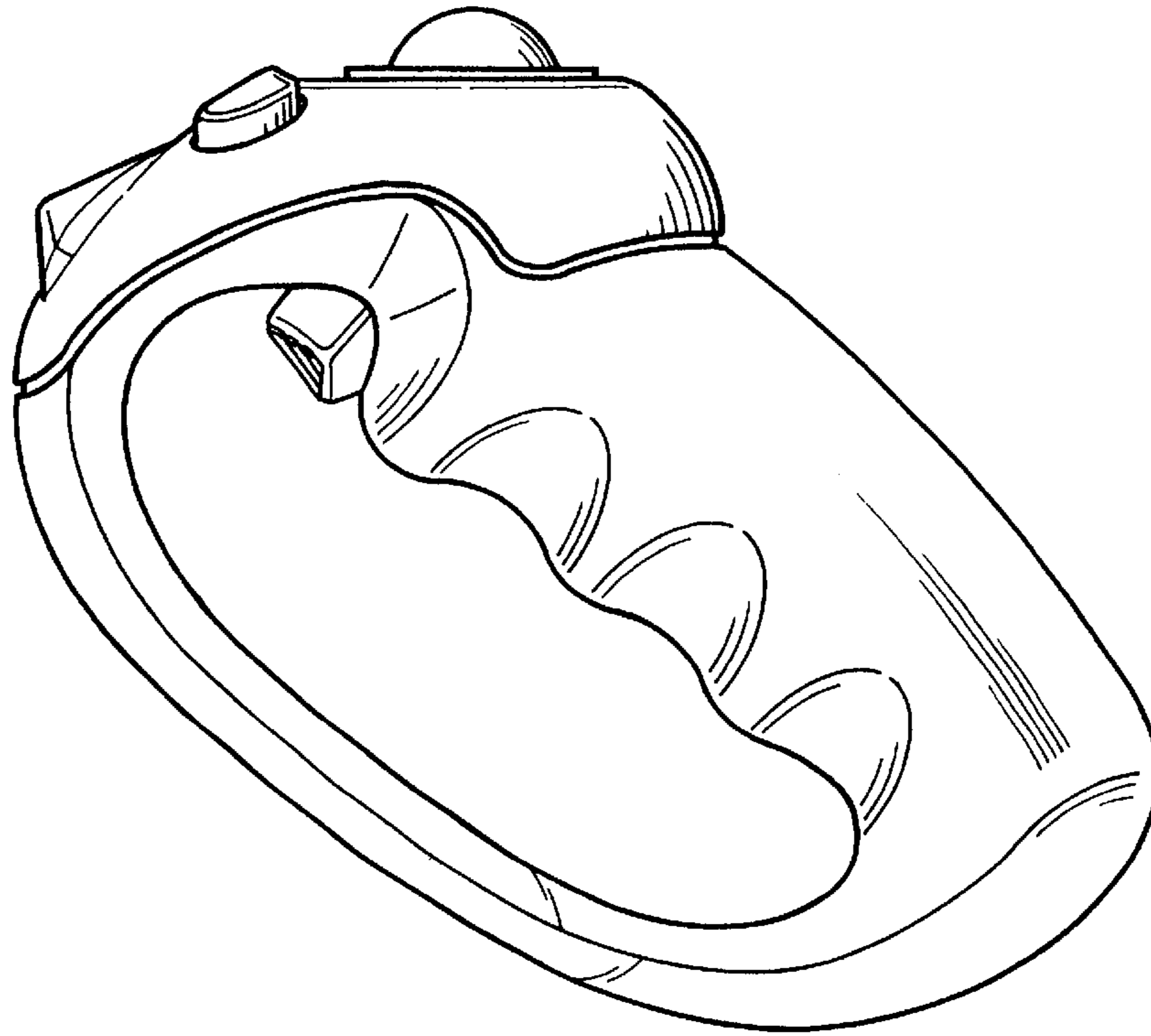


FIG. 2

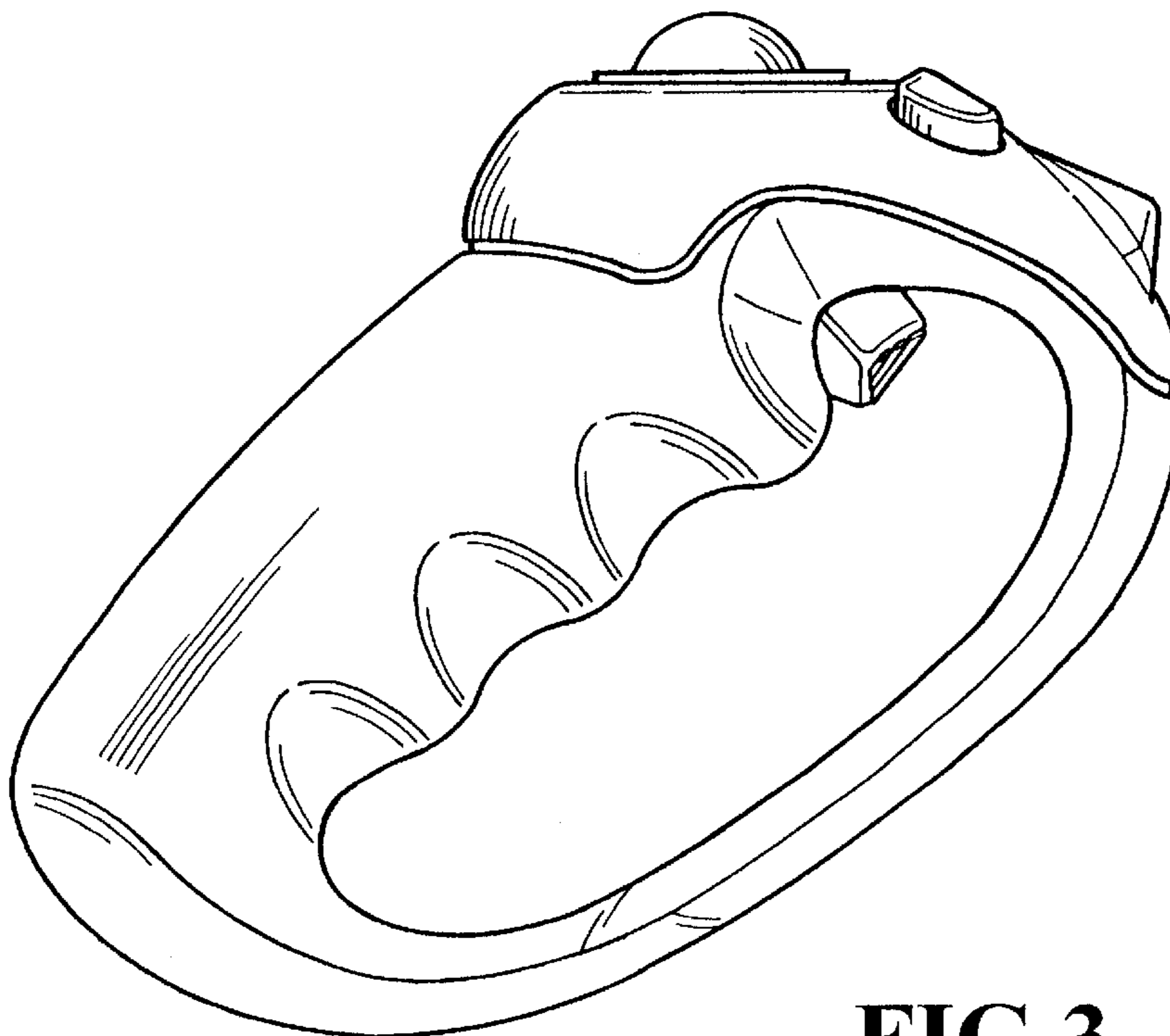


FIG. 3

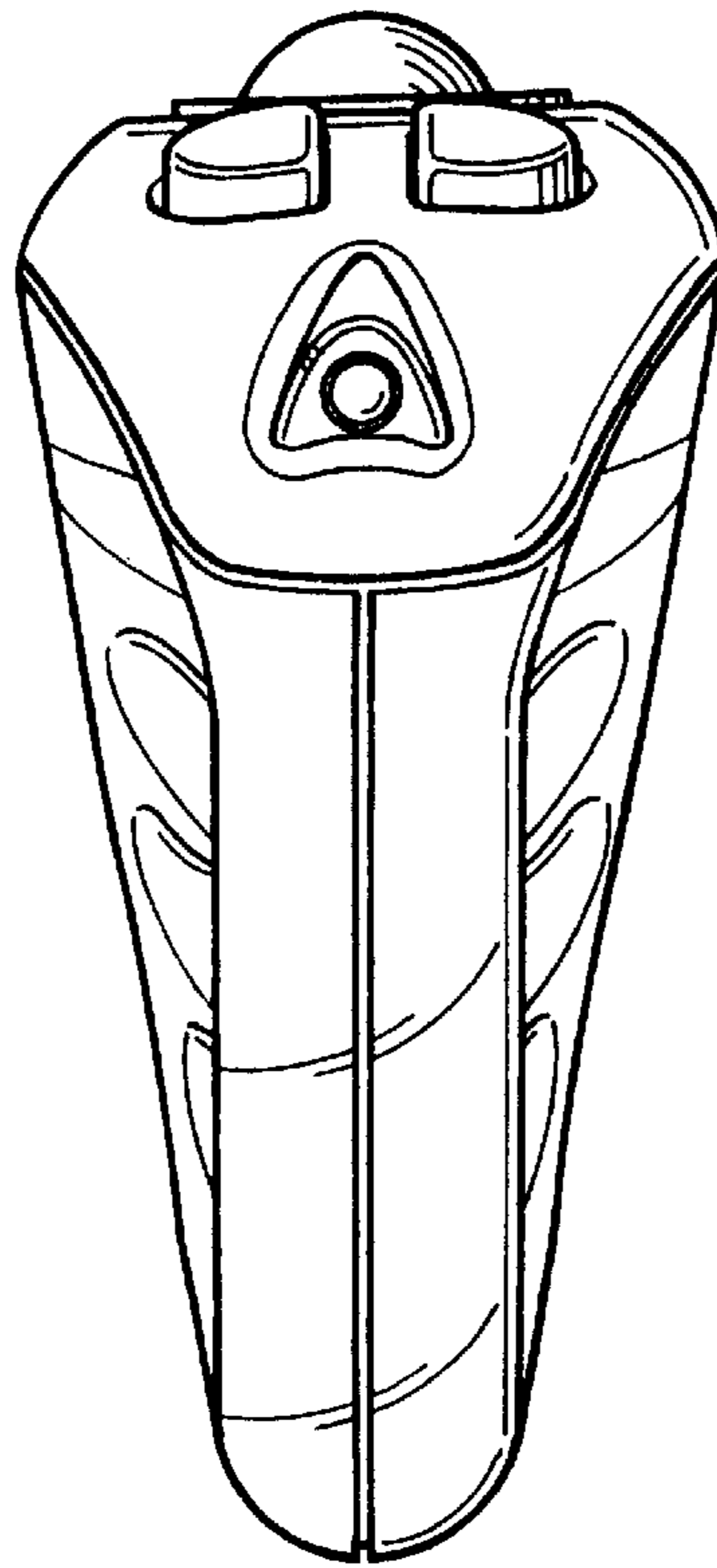


FIG.4

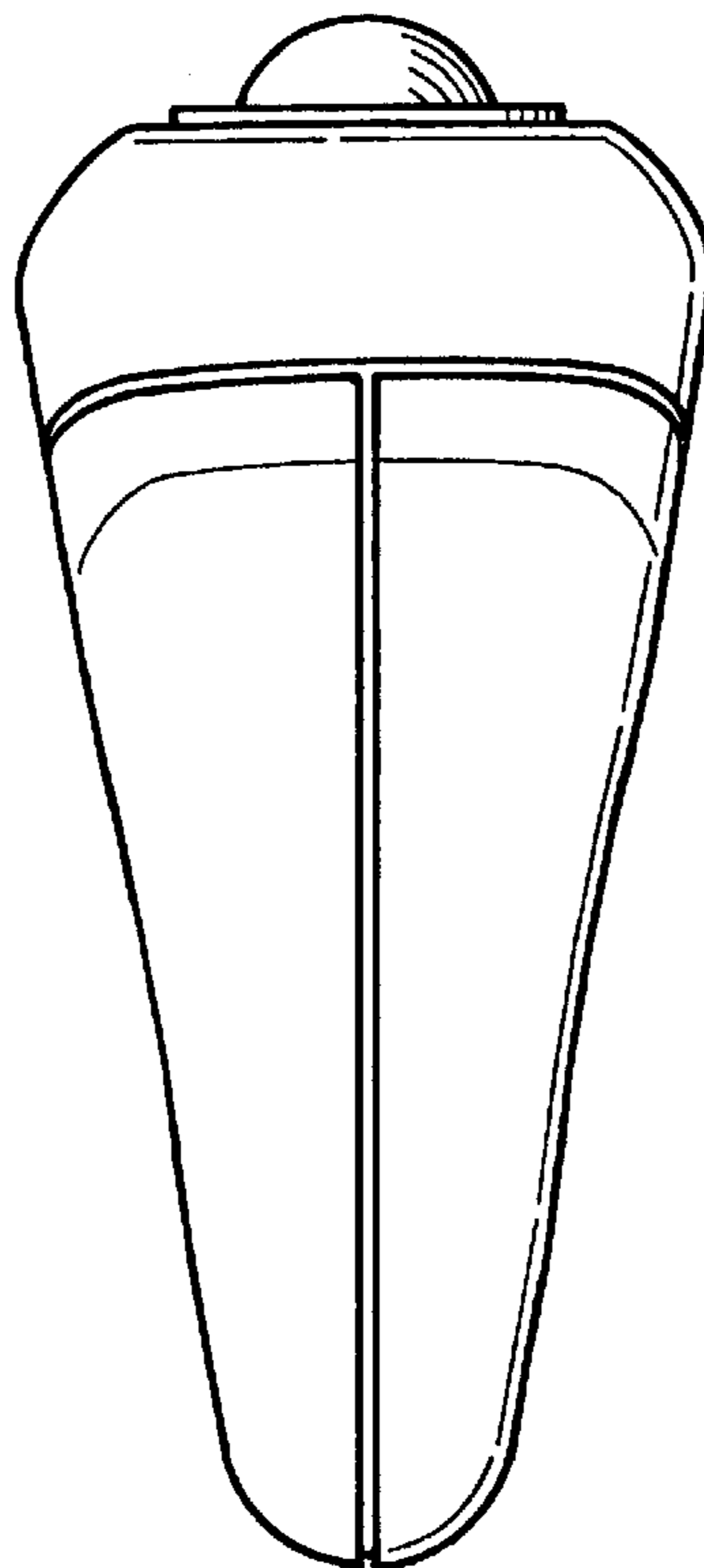


FIG.5

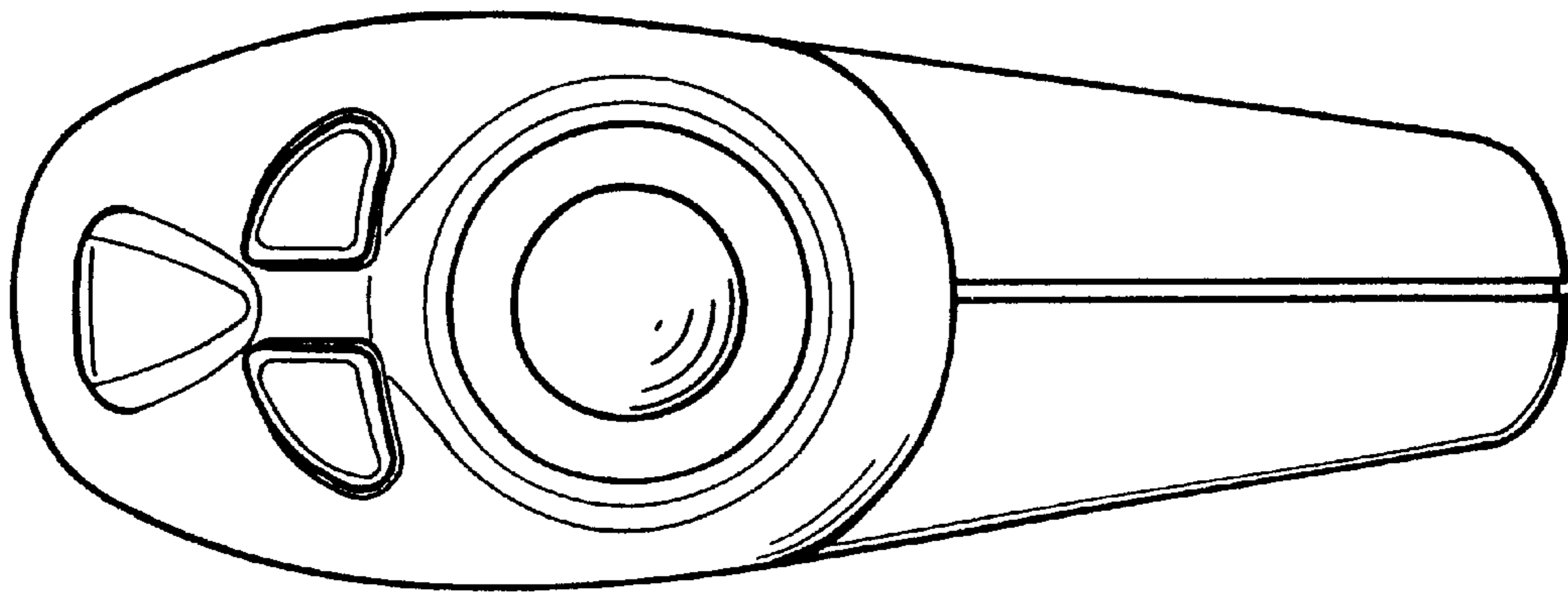


FIG. 6

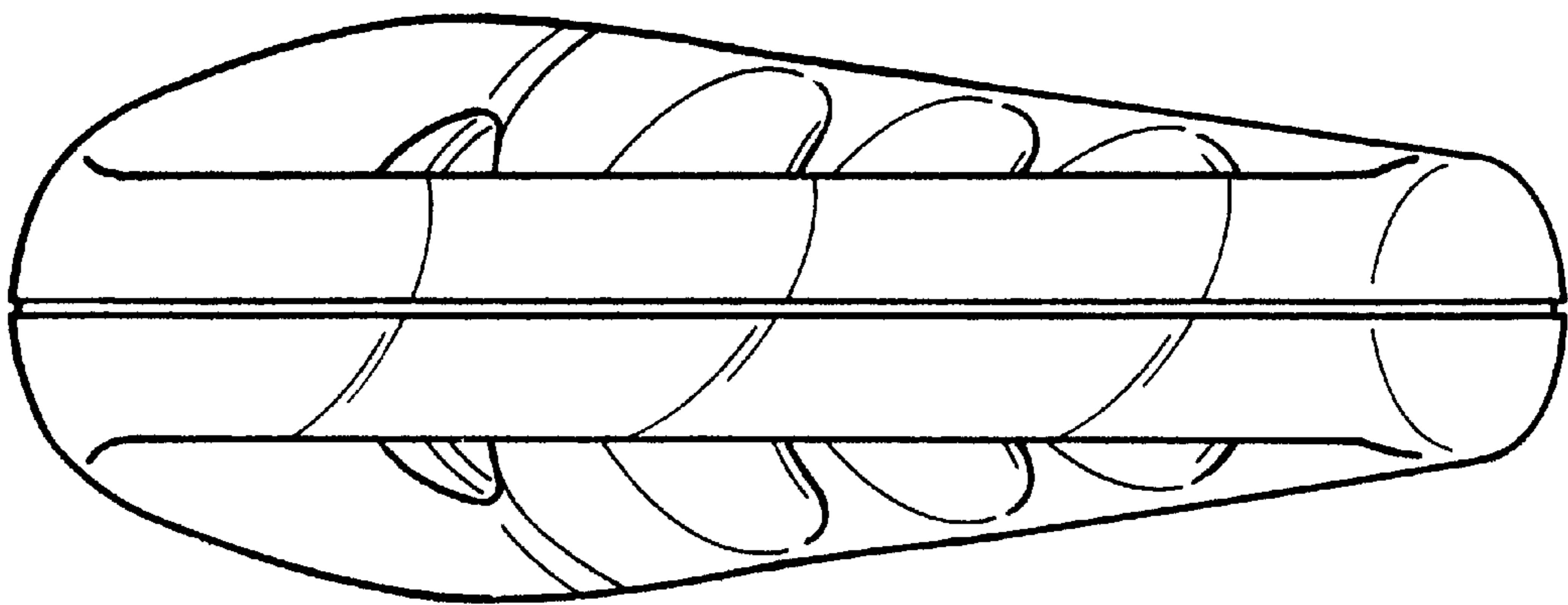


FIG. 7