



US00D478329S

(12) **United States Design Patent**
Yamagishi et al.

(10) **Patent No.:** **US D478,329 S**

(45) **Date of Patent:** **** Aug. 12, 2003**

(54) **MAGNETIC DISC STORAGE**

FOREIGN PATENT DOCUMENTS

(75) Inventors: **Hiromasa Yamagishi**, Ikoma (JP);
Ryuichi Onda, Tokyo (JP); **Tadaaki**
Tomikawa, Yokohama (JP)

JP	1064834	3/2000
JP	1073352	6/2000
JP	1095037	12/2000
JP	1107333	4/2001
JP	1107548	4/2001
JP	1107549	4/2001

(73) Assignees: **Hitachi, Ltd.**, Tokyo (JP); **Canon**
Kabushiki Kaisha, Tokyo (JP); **Sanyo**
Electric Co., Moriguchi (JP); **Sharp**
Kabushiki Kaisha, Osaka (JP); **Victor**
Company of Japan, Limited,
Yokohama (JP); **Pioneer Corp.**, Tokyo
(JP); **Phoenix Technologies K.K.**,
Tokyo (JP); **Fujitsu Ltd.**, Kwasaki (JP)

* cited by examiner

Primary Examiner—Freda Nunn

(74) *Attorney, Agent, or Firm*—Antonelli, Terry, Stout &
Kraus, LLP

(**) Term: **14 Years**

(57) **CLAIM**

The ornamental design for a magnetic disc storage, as shown
and described.

(21) Appl. No.: **29/161,601**

DESCRIPTION

(22) Filed: **Jun. 4, 2002**

(30) **Foreign Application Priority Data**

Dec. 5, 2001 (JP) 2001-035810

(51) **LOC (7) Cl.** **14-02**

(52) **U.S. Cl.** **D14/363**

(58) **Field of Search** D14/348, 353-363;
D13/162, 184, 199; 312/223.1-223.3; 360/99.01-99.12;
361/690-696; 369/34.013, 36.01

FIG. 1 is a front, plan and right side perspective view of a
magnetic disc storage showing our new design;
FIG. 2 is a front elevational view thereof;
FIG. 3 is a rear elevational view thereof;
FIG. 4 is a top plan view thereof;
FIG. 5 is a bottom plan view thereof;
FIG. 6 is a right side elevational view thereof;
FIG. 7 is a left side elevational view thereof;
FIG. 8 is a sectional view thereof taken in the direction of
lines 8-8 in FIG. 2; and,
FIG. 9 is a sectional view thereof taken in the direction of
lines 9-9 in FIG. 2.

(56) **References Cited**

U.S. PATENT DOCUMENTS

D360,192 S	*	7/1995	Lien	D14/355
D456,022 S	*	4/2002	Dodson	D14/355

1 Claim, 4 Drawing Sheets

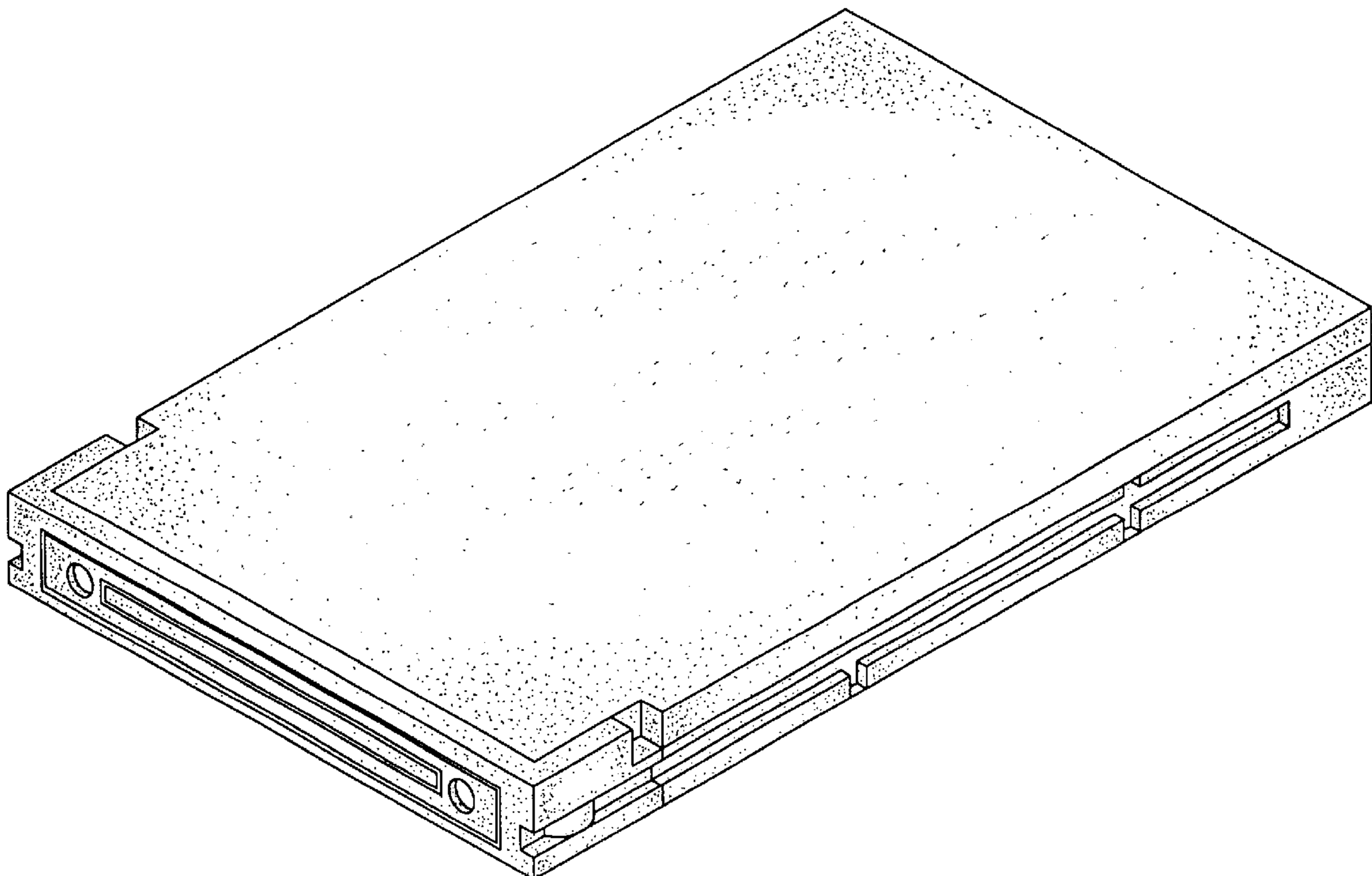


FIG. 1

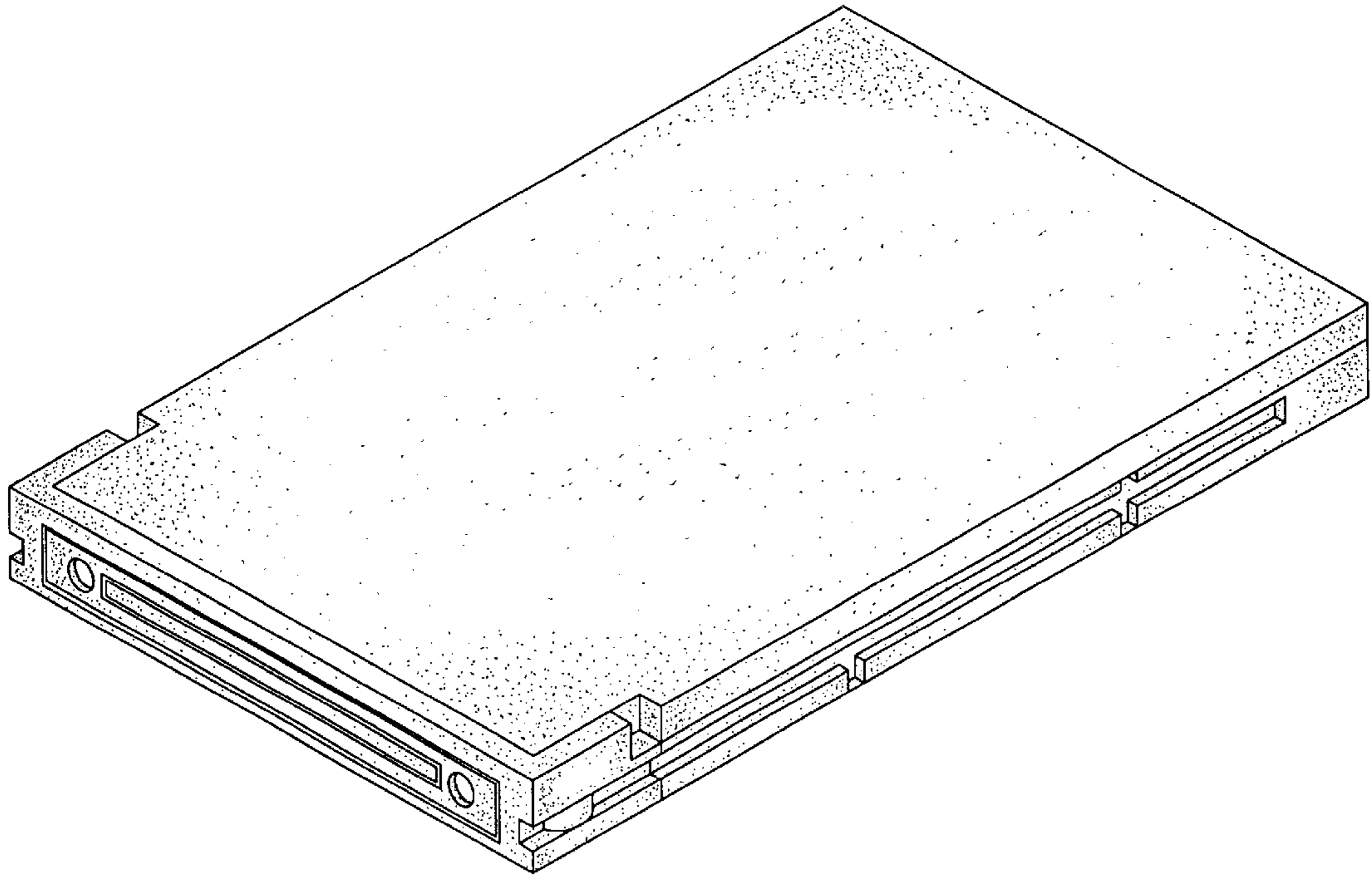


FIG. 2

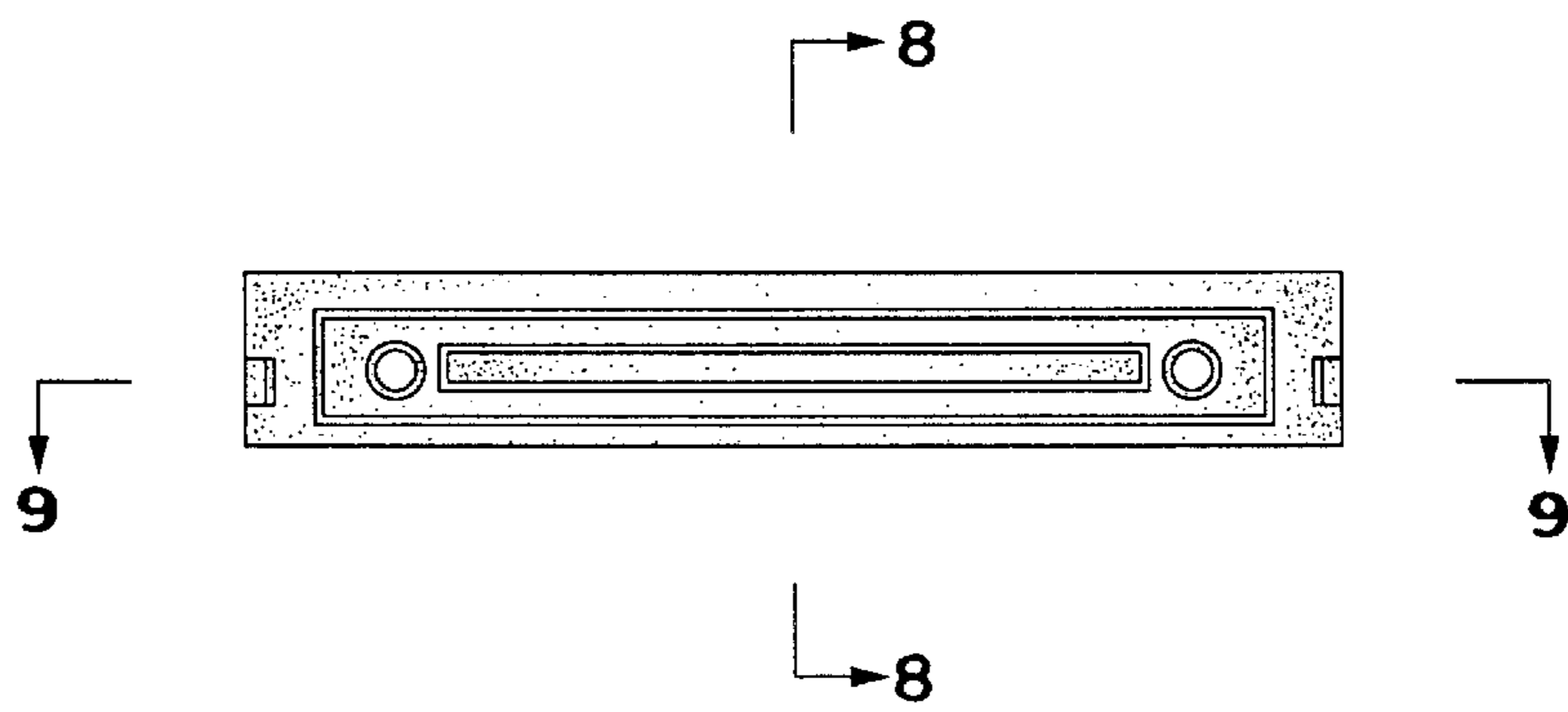


FIG. 3

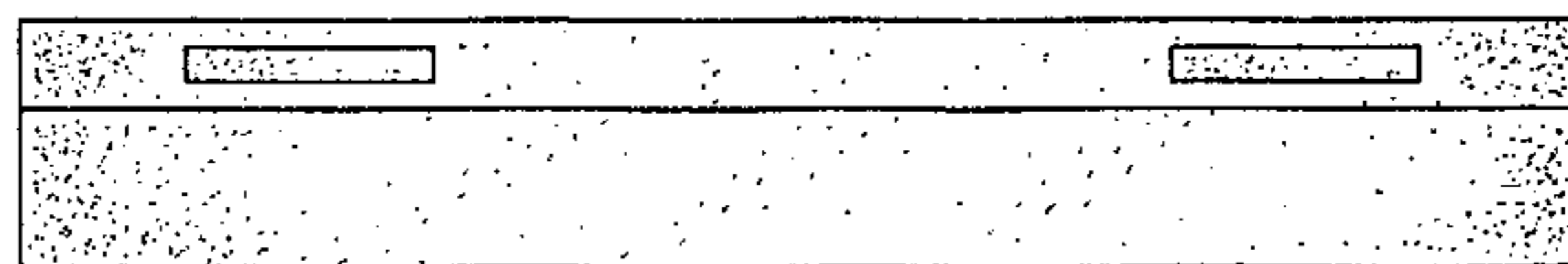


FIG. 4

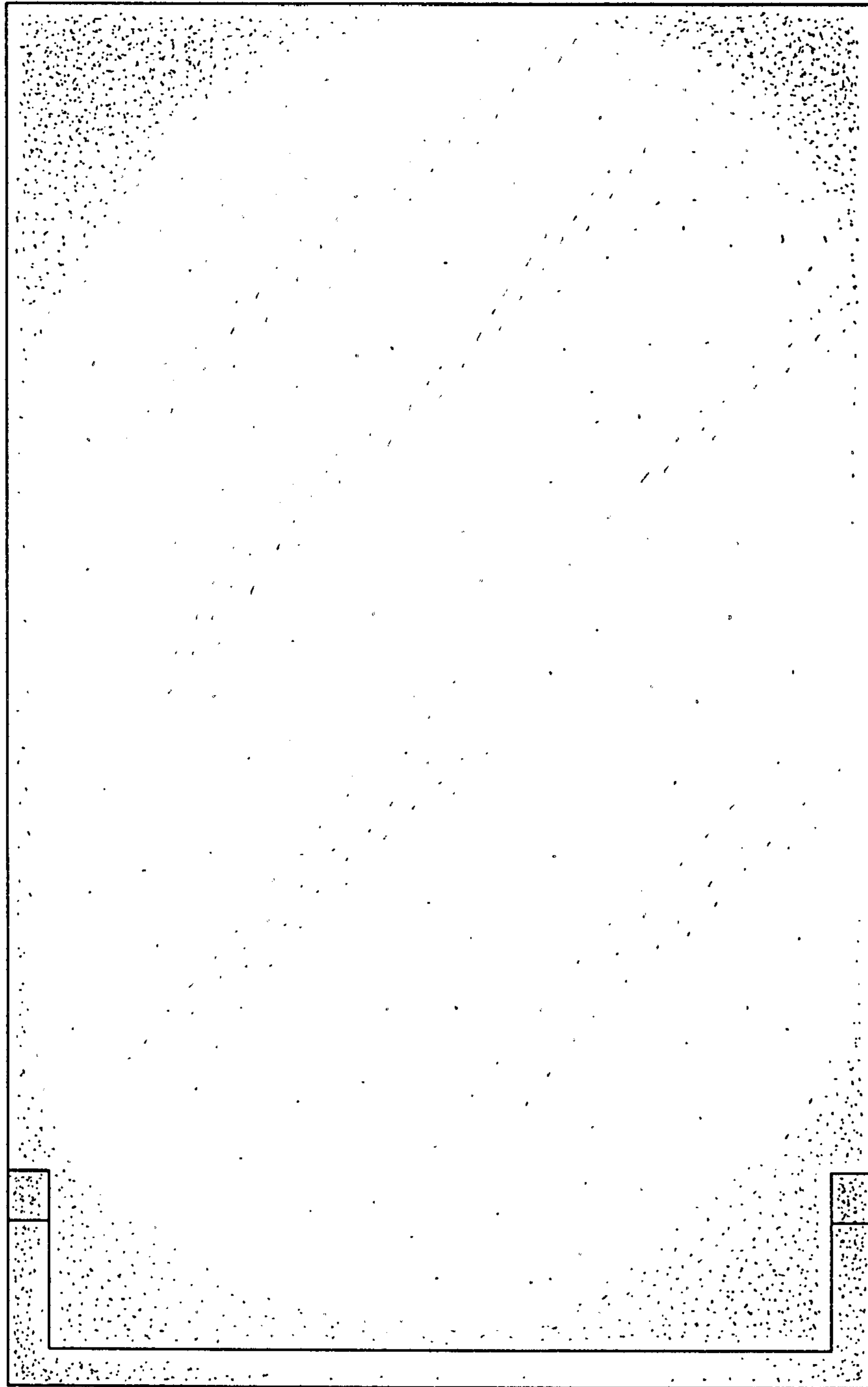


FIG. 5

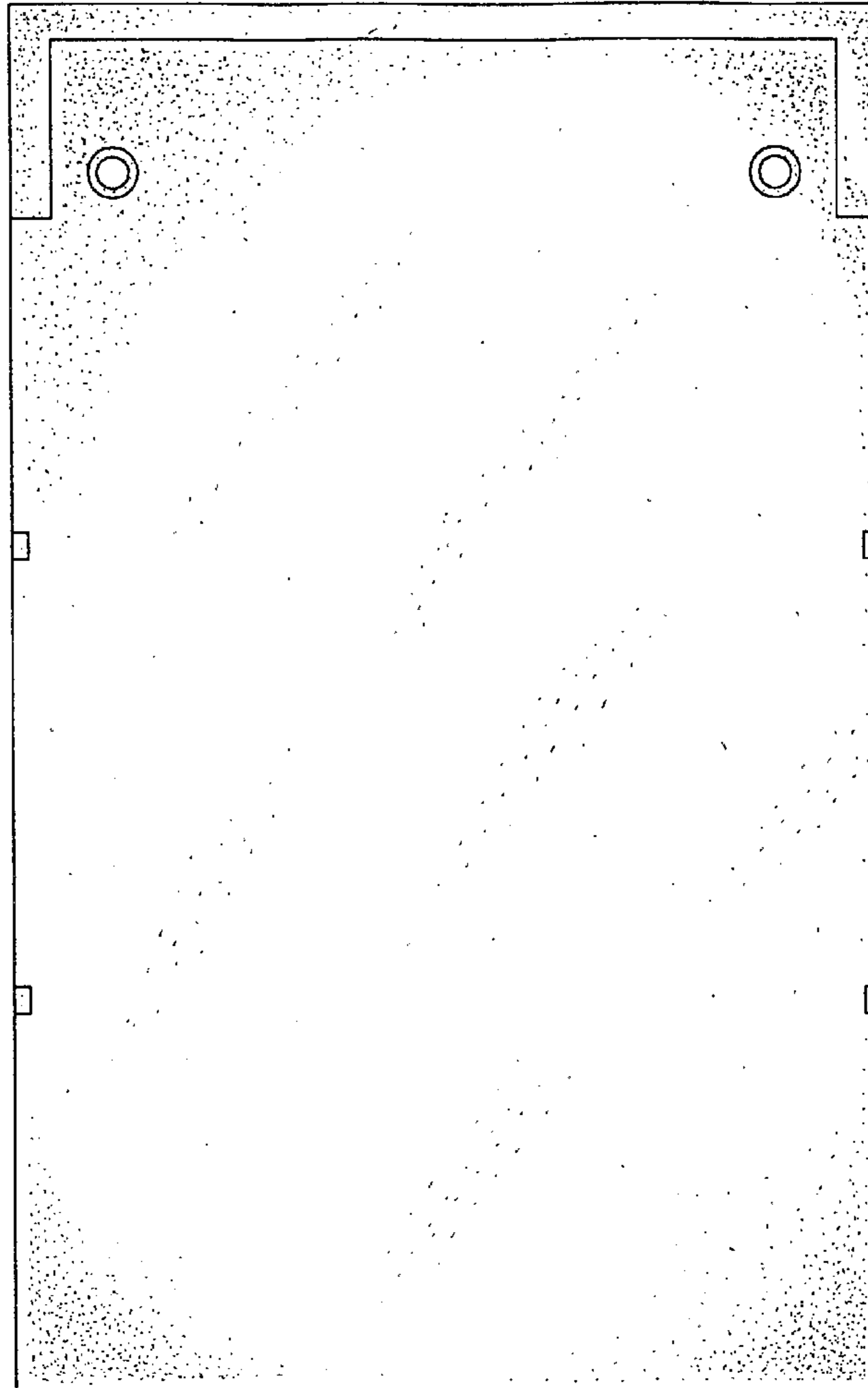


FIG. 6

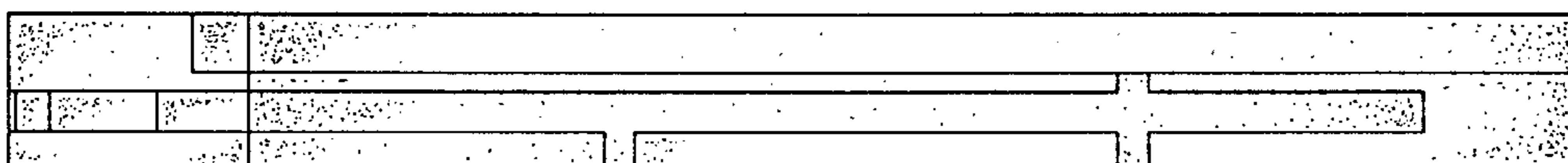


FIG. 7

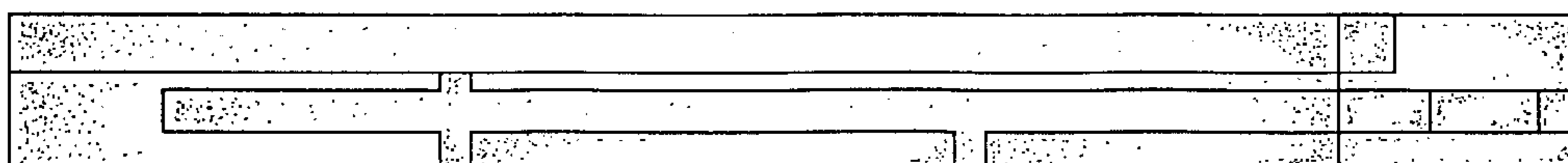


FIG. 8

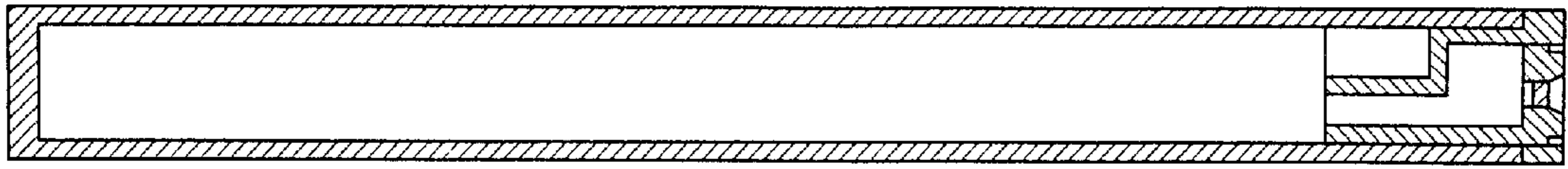


FIG. 9

