



US00D478328S

(12) **United States Design Patent**
Sumitomo et al.

(10) **Patent No.:** **US D478,328 S**
(45) **Date of Patent:** **** Aug. 12, 2003**

(54) **SPEAKER WITH MICROPHONE AND HEADBAND**

(75) Inventors: **Taro Sumitomo**, Tokyo (JP);
Shinichiro Ishii, Osaka (JP)

(73) Assignee: **Midori Anzen Co., Ltd.** (JP)

(**) Term: **14 Years**

(21) Appl. No.: **29/165,178**

(22) Filed: **Aug. 5, 2002**

(51) **LOC (7) Cl.** **14-01**

(52) **U.S. Cl.** **D14/206**

(58) **Field of Search** D14/168, 192,
D14/204, 205, 206, 225, 226; D2/865,
866, 871, 872, 873, 875; D29/109; 181/177,
137; 455/361, 344, 351; 224/605; 381/74,
189, 311

(56) **References Cited**

U.S. PATENT DOCUMENTS

- 3,249,873 A * 5/1966 Whitmore, Jr. et al. ... 455/351
- 4,682,363 A * 7/1987 Goldfarb et al. 381/74
- 5,644,785 A * 7/1997 Garrett 455/344
- 5,886,823 A * 3/1999 Sugano 359/630
- D435,331 S * 12/2000 Fisher D2/866

* cited by examiner

Primary Examiner—Paula A. Mortimer

(74) *Attorney, Agent, or Firm*—Saidman DesignLaw Group

(57) **CLAIM**

The ornamental design for a speaker with microphone and headband, as shown and described.

DESCRIPTION

FIG. 1 is a perspective view of a speaker with microphone and headband showing our new design;

FIG. 2 is a front view thereof;
 FIG. 3 is a rear view thereof;
 FIG. 4 is a right side view thereof;
 FIG. 5 is a left side view thereof;
 FIG. 6 is a top view thereof;
 FIG. 7 is a bottom view thereof;
 FIG. 8 is a view showing the environment in which our design is intended to be used;
 FIG. 9 is a perspective view of a second embodiment of a speaker with microphone and headband;
 FIG. 10 is a front view thereof;
 FIG. 11 is a rear view thereof;
 FIG. 12 is a right side view thereof;
 FIG. 13 is a left side view thereof;
 FIG. 14 is a top view thereof;
 FIG. 15 is a bottom view thereof;
 FIG. 16 is a view showing the environment in which the second embodiment of our design is intended to be used;
 FIG. 17 is a perspective view of a third embodiment of a speaker with microphone and headband;
 FIG. 18 is a front view thereof;
 FIG. 19 is a rear view thereof;
 FIG. 20 is a right side view thereof;
 FIG. 21 is a left side view thereof;
 FIG. 22 is a top view thereof;
 FIG. 23 is a bottom view thereof; and,
 FIG. 24 is a view showing the environment in which the third embodiment of our design is intended to be used.
 The broken lines are environmental only and form no part of the claimed design.

1 Claim, 12 Drawing Sheets

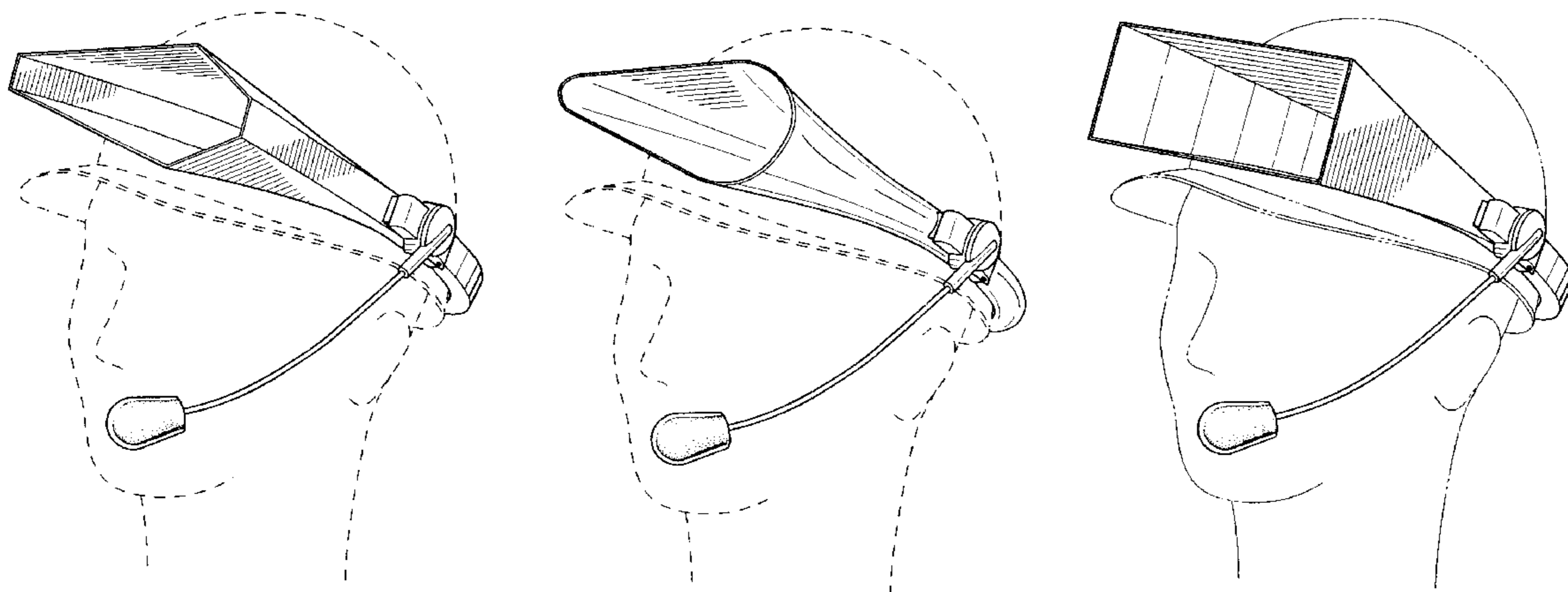


FIG. 1

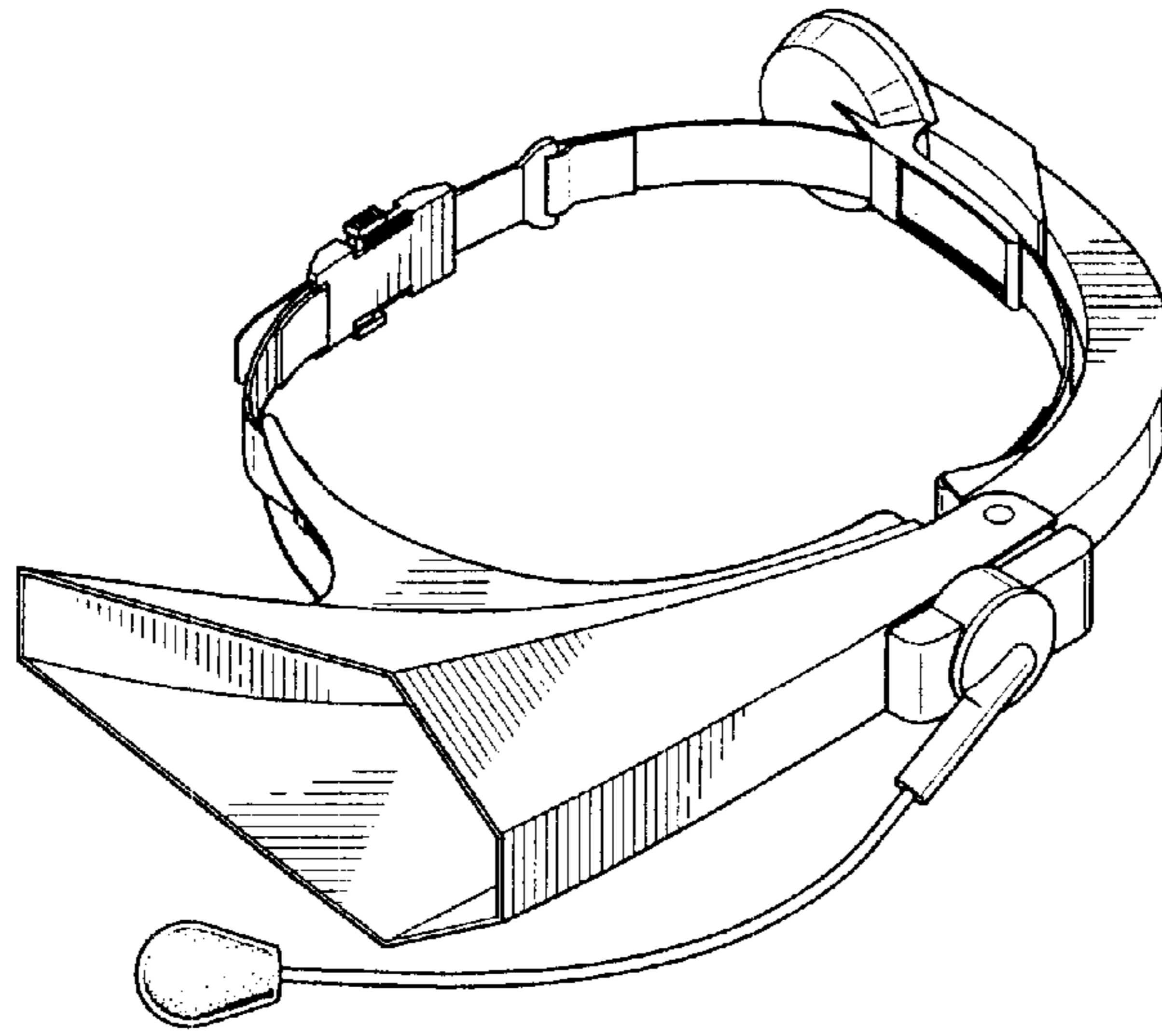


FIG. 2

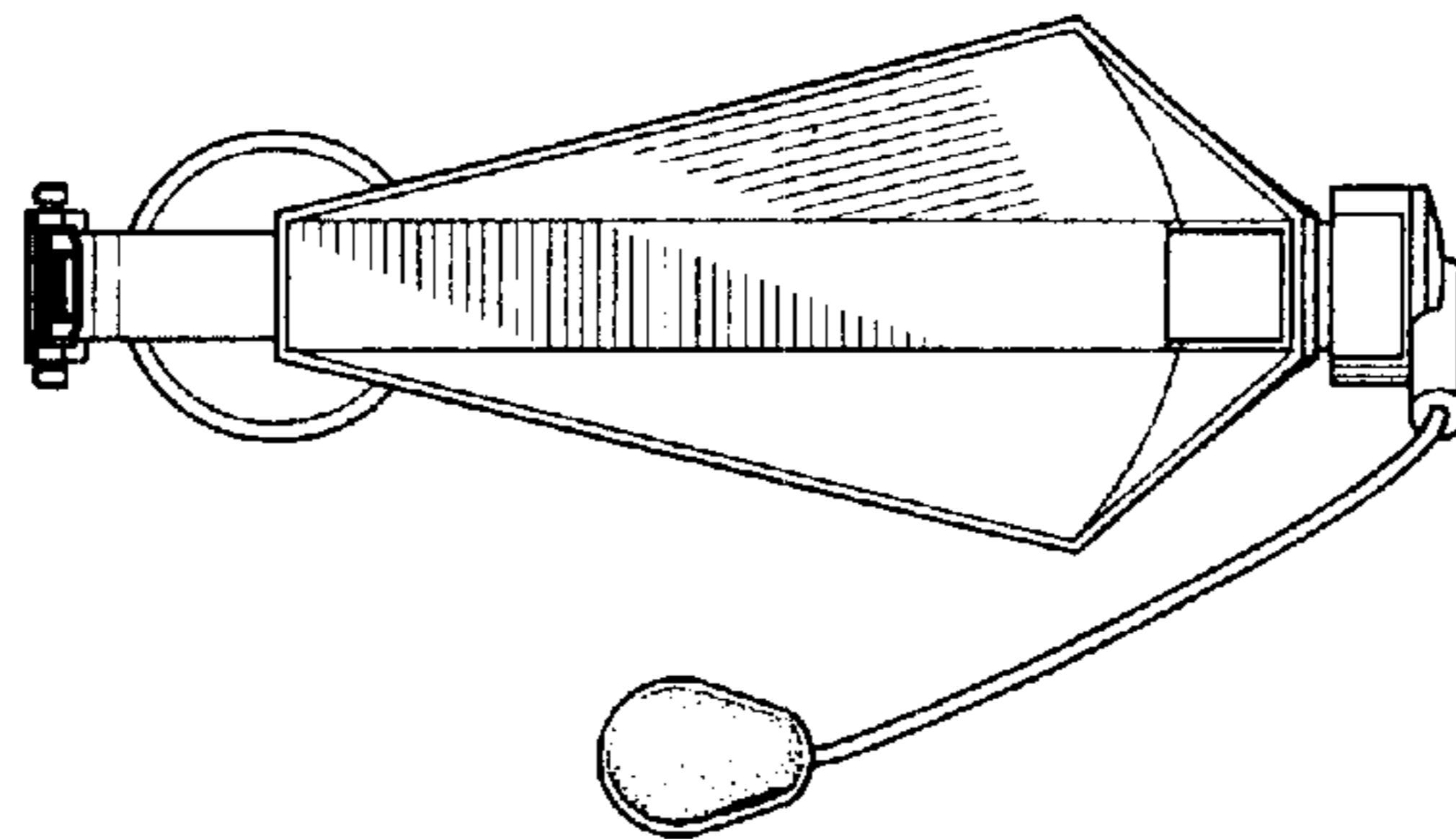


FIG. 3

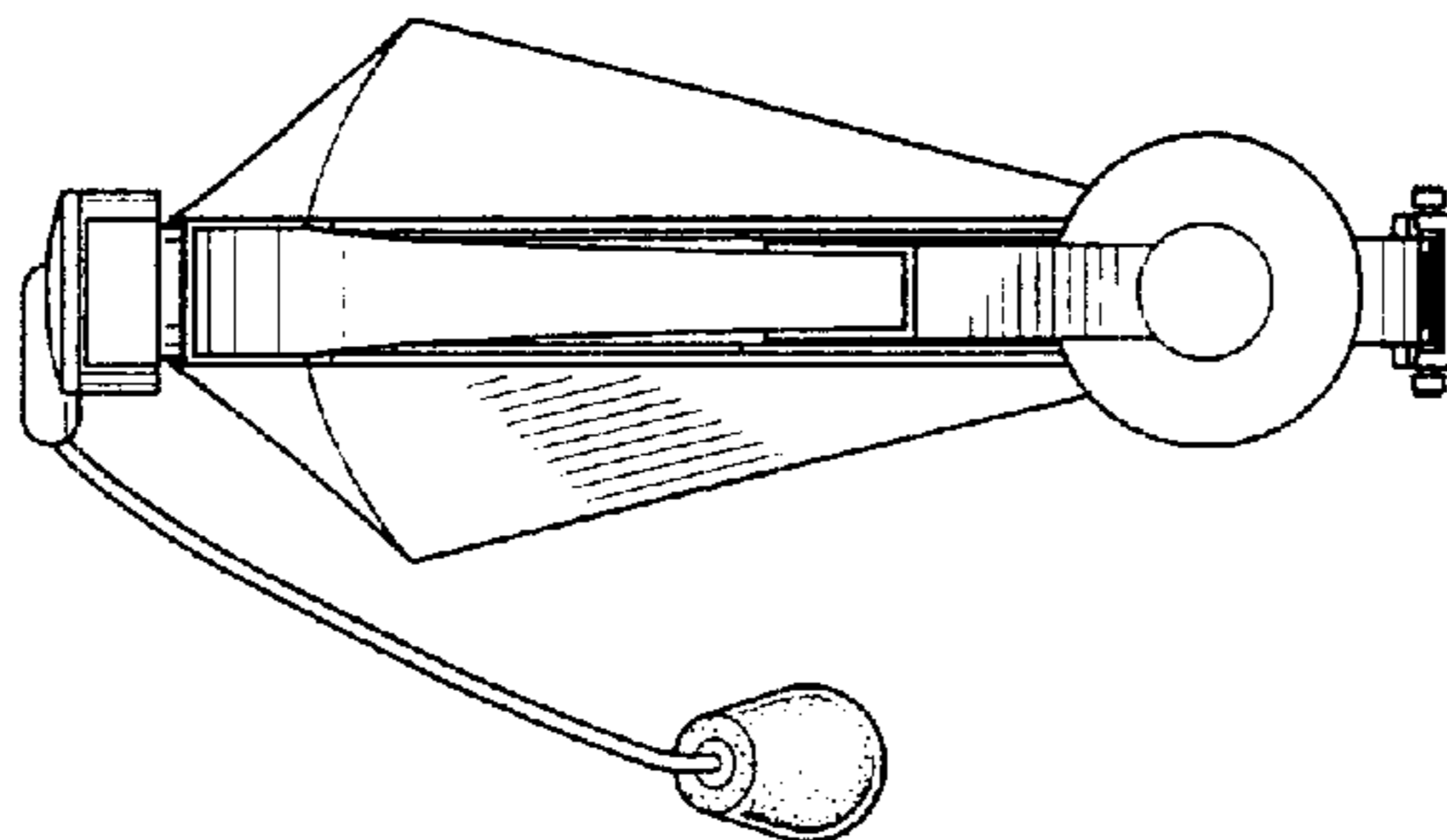


FIG. 4

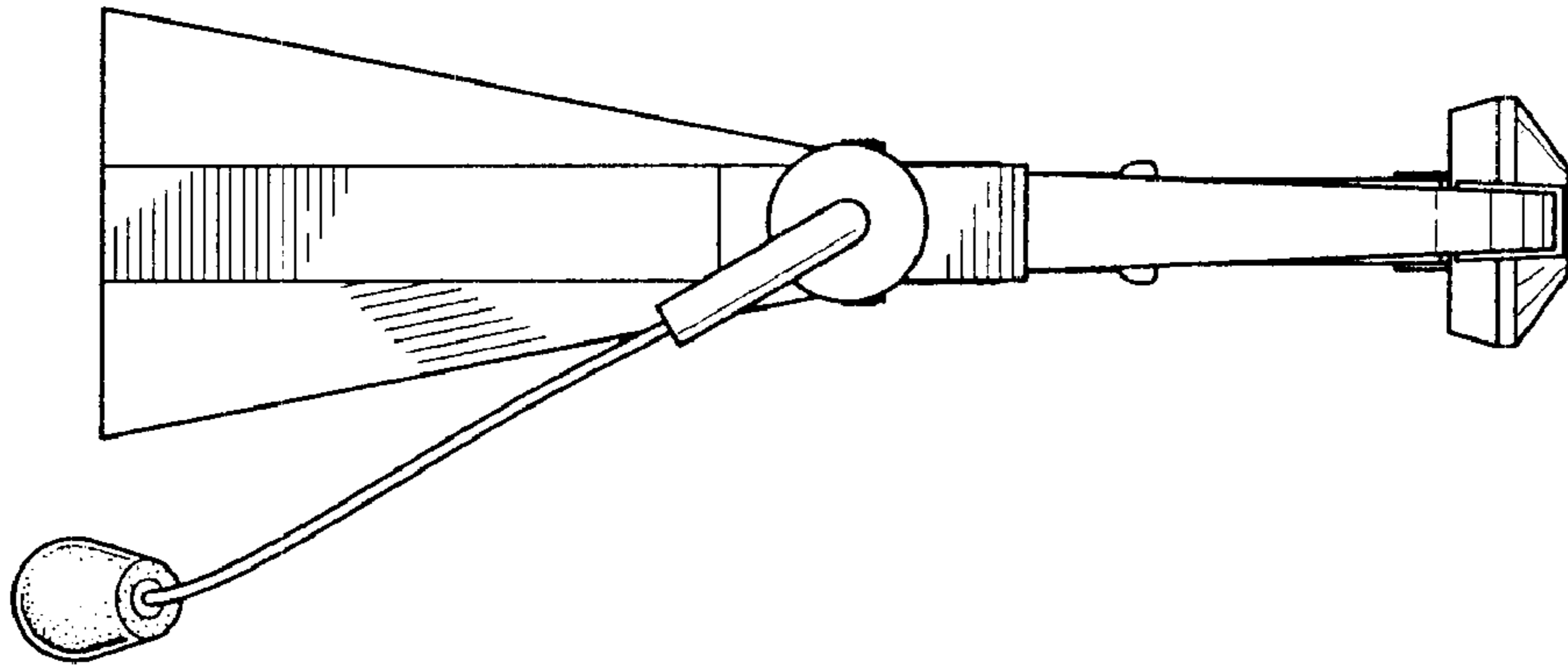


FIG. 5

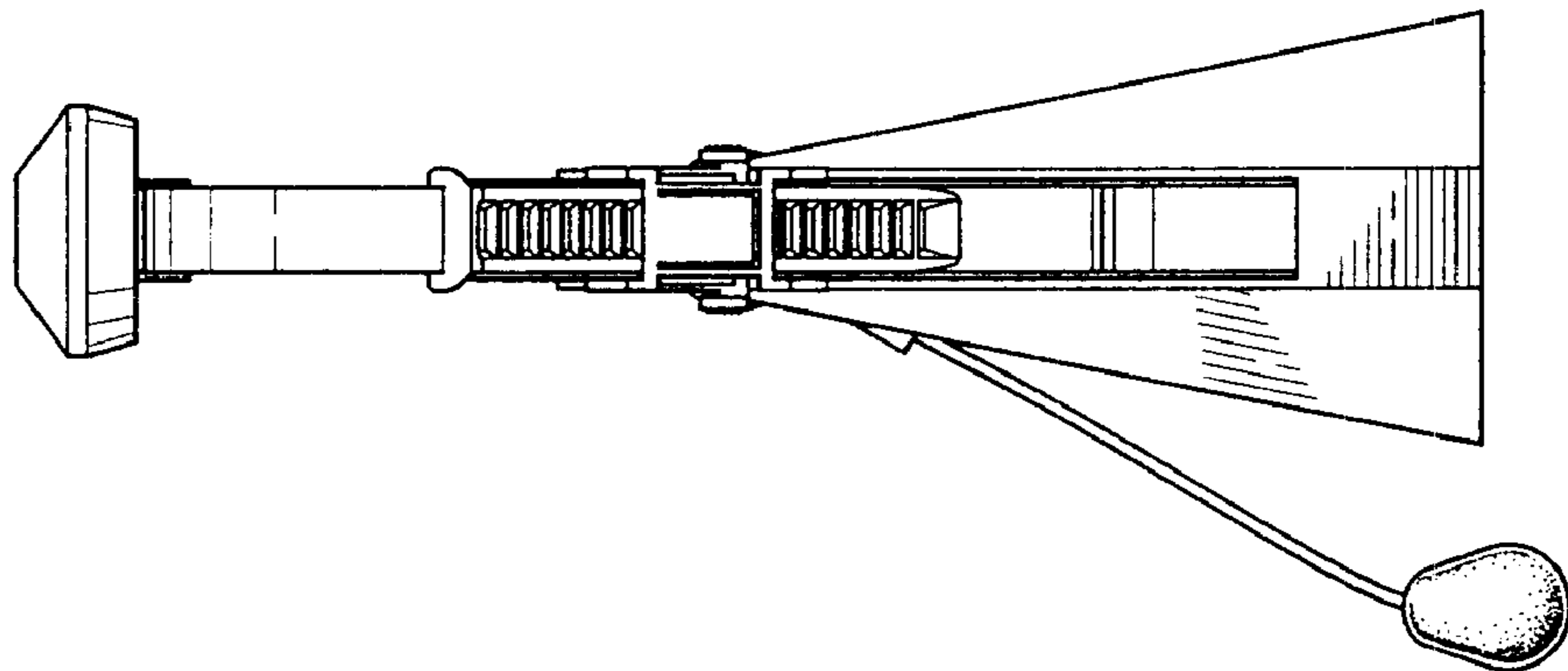


FIG. 6

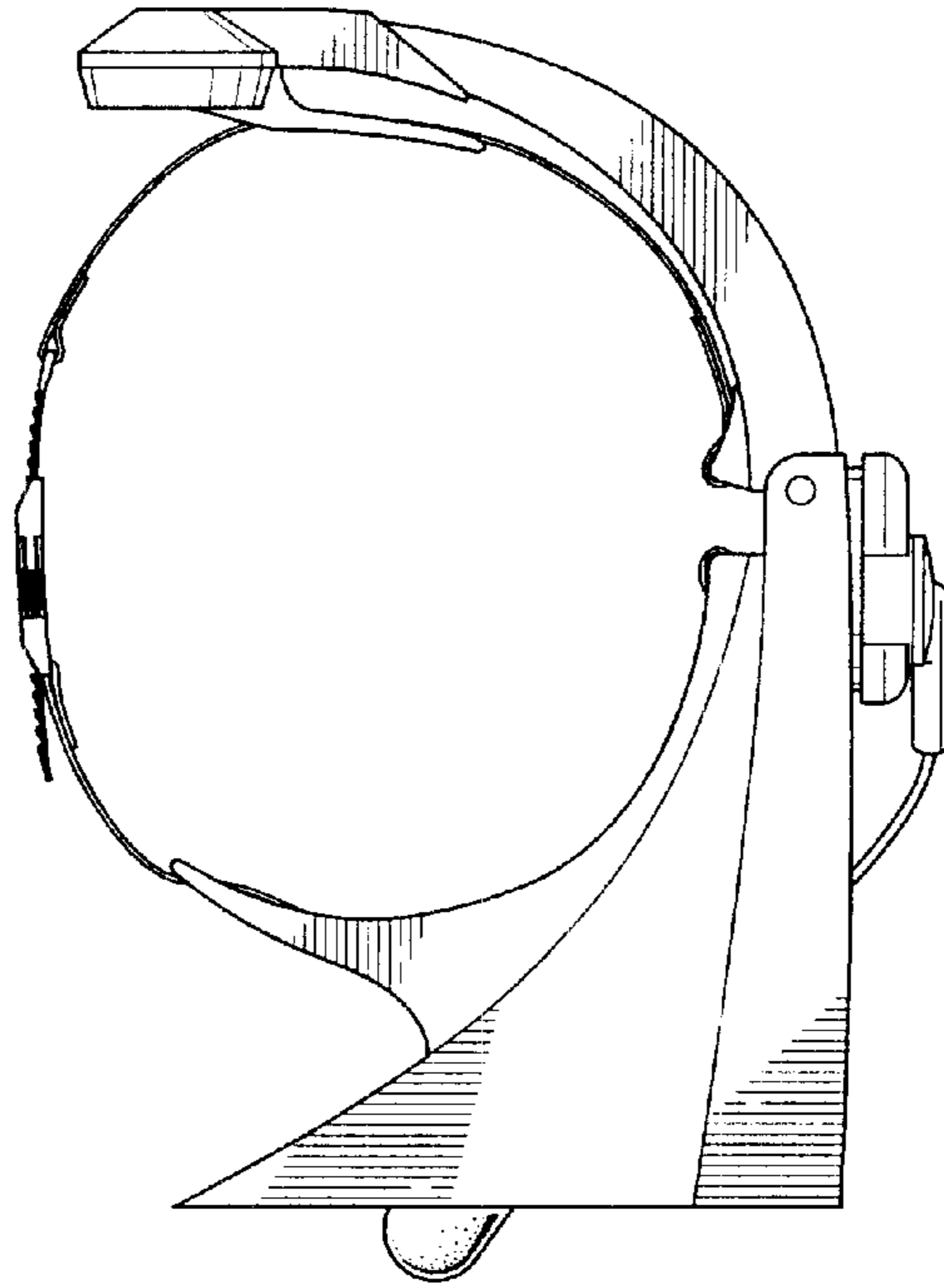


FIG. 7

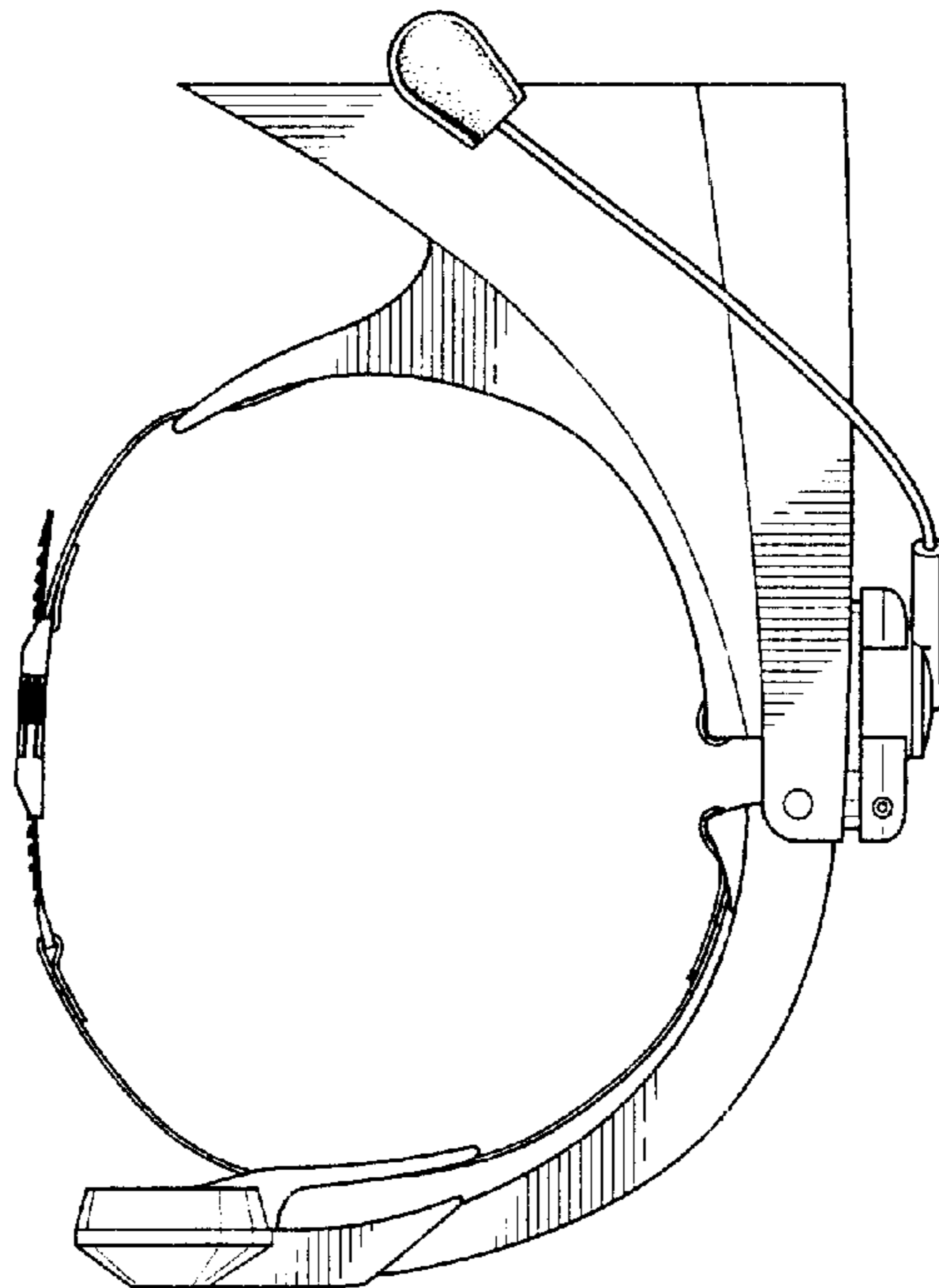


FIG. 8

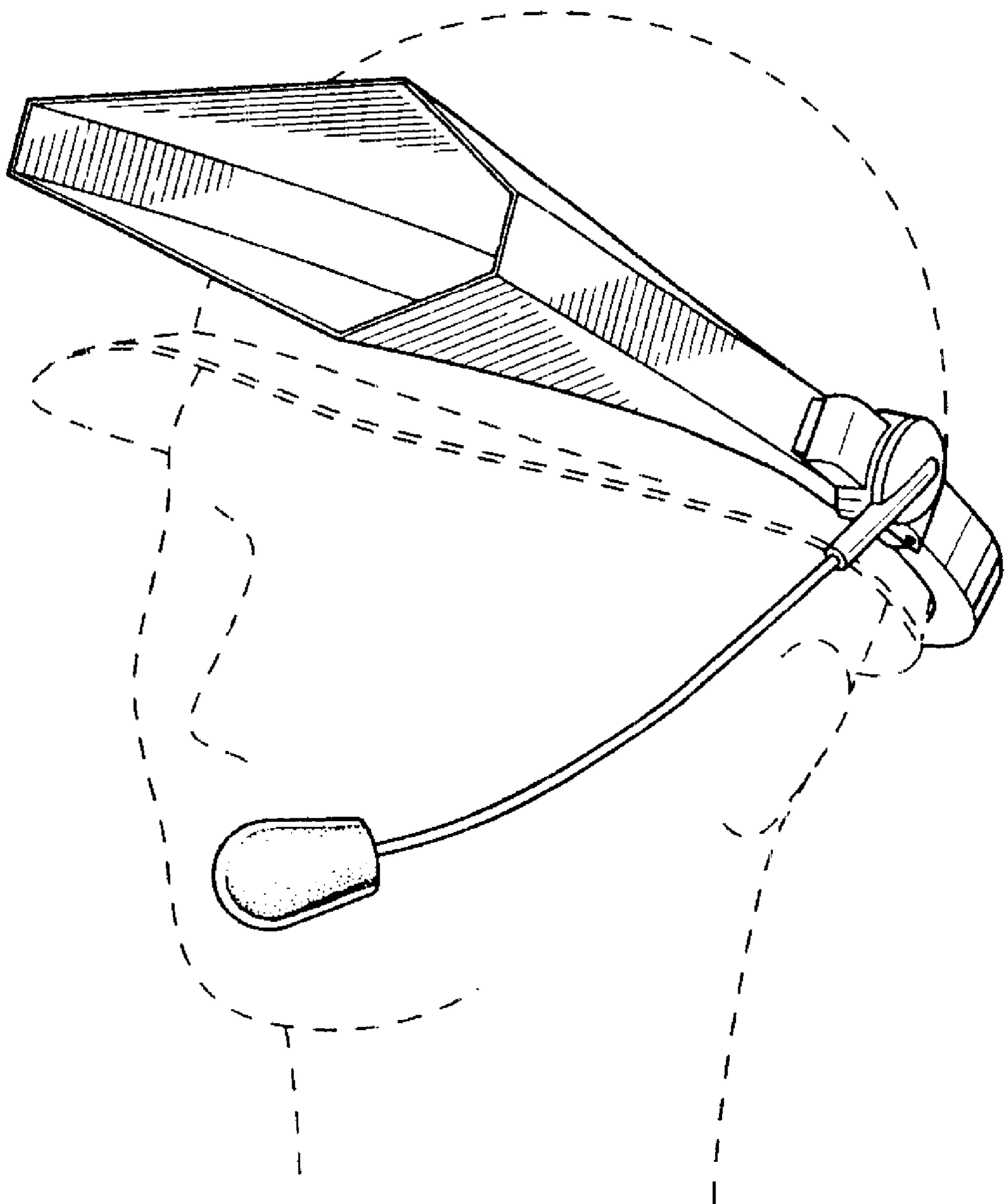


FIG. 9

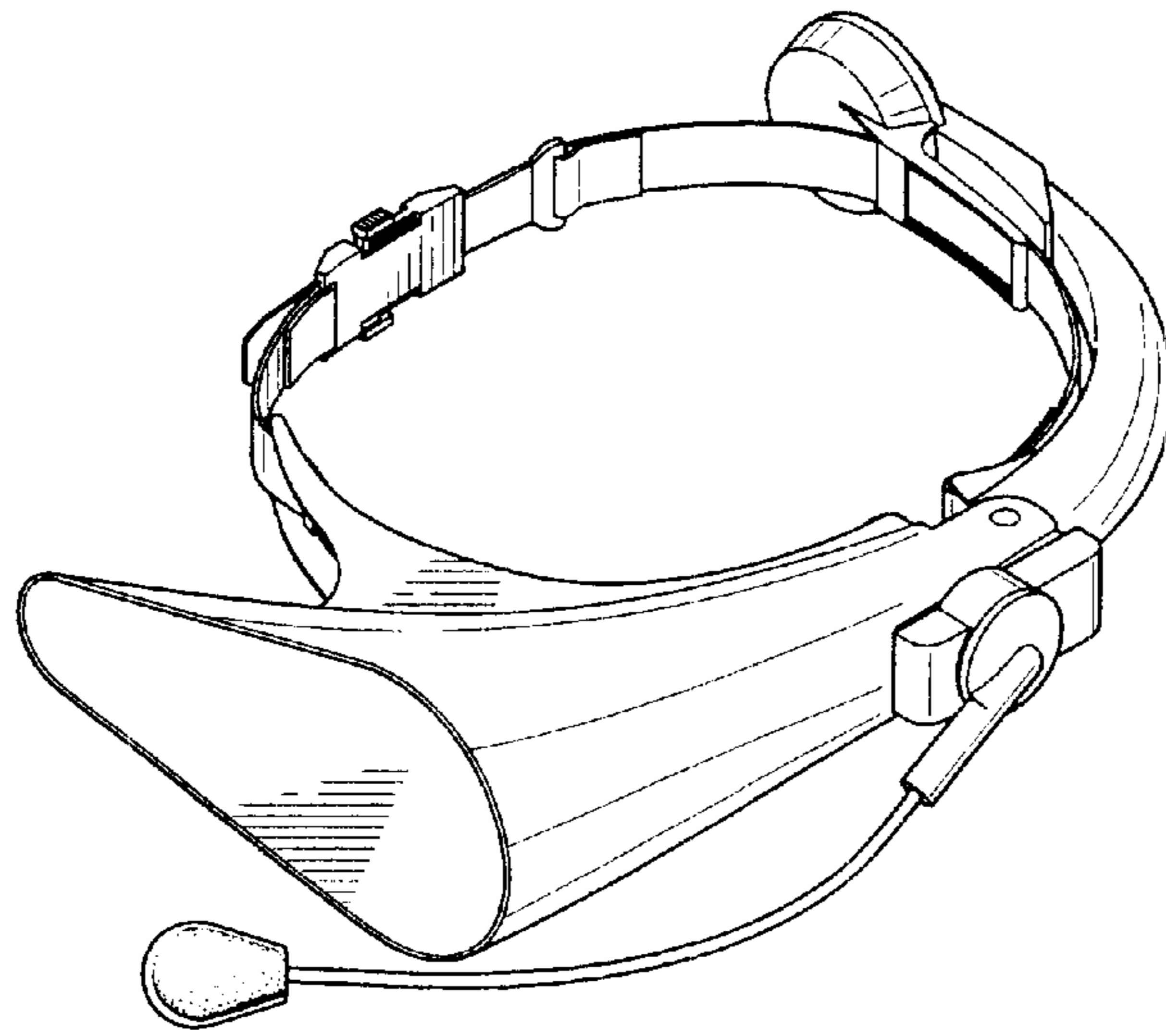


FIG. 10

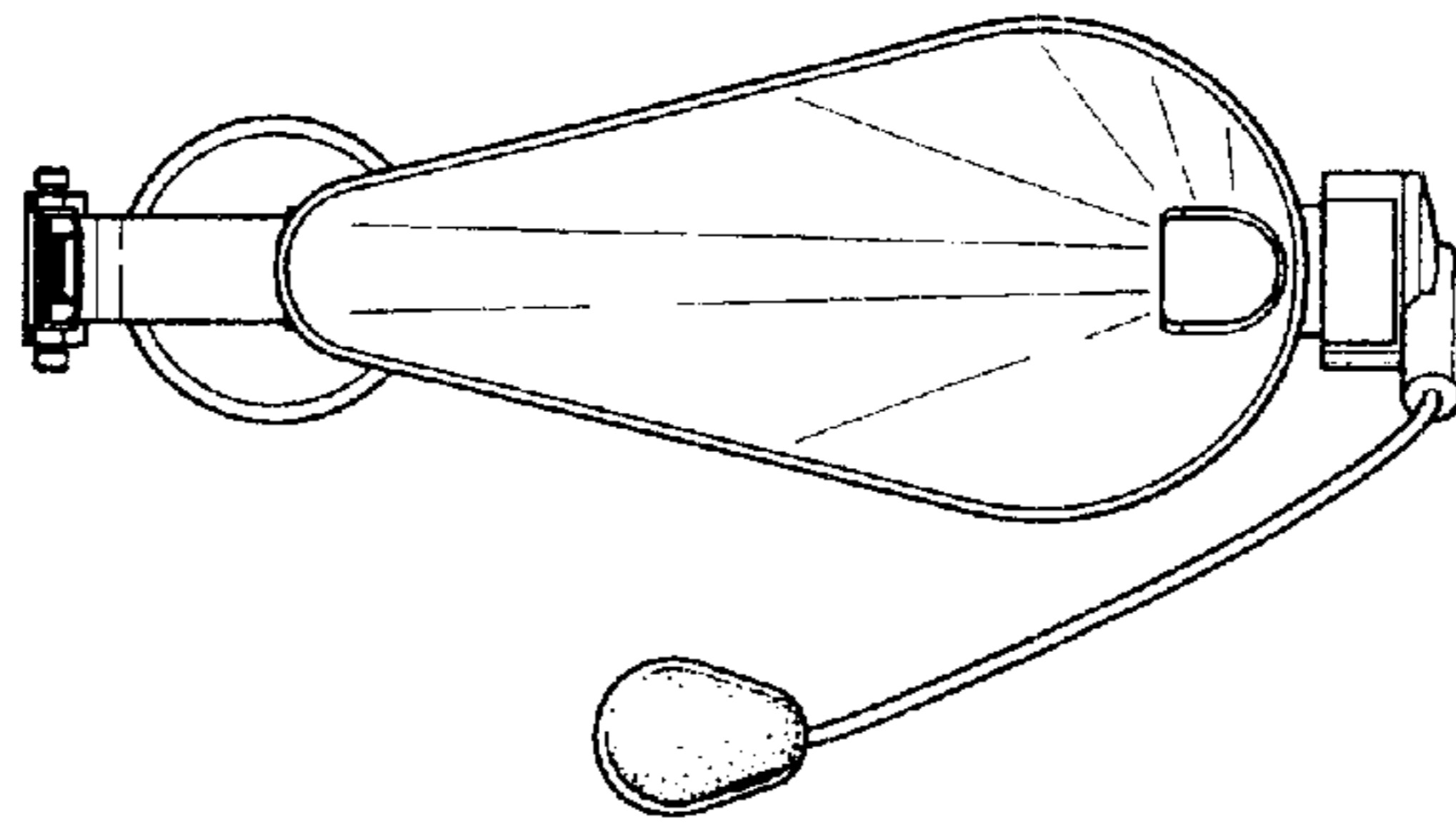


FIG. 11

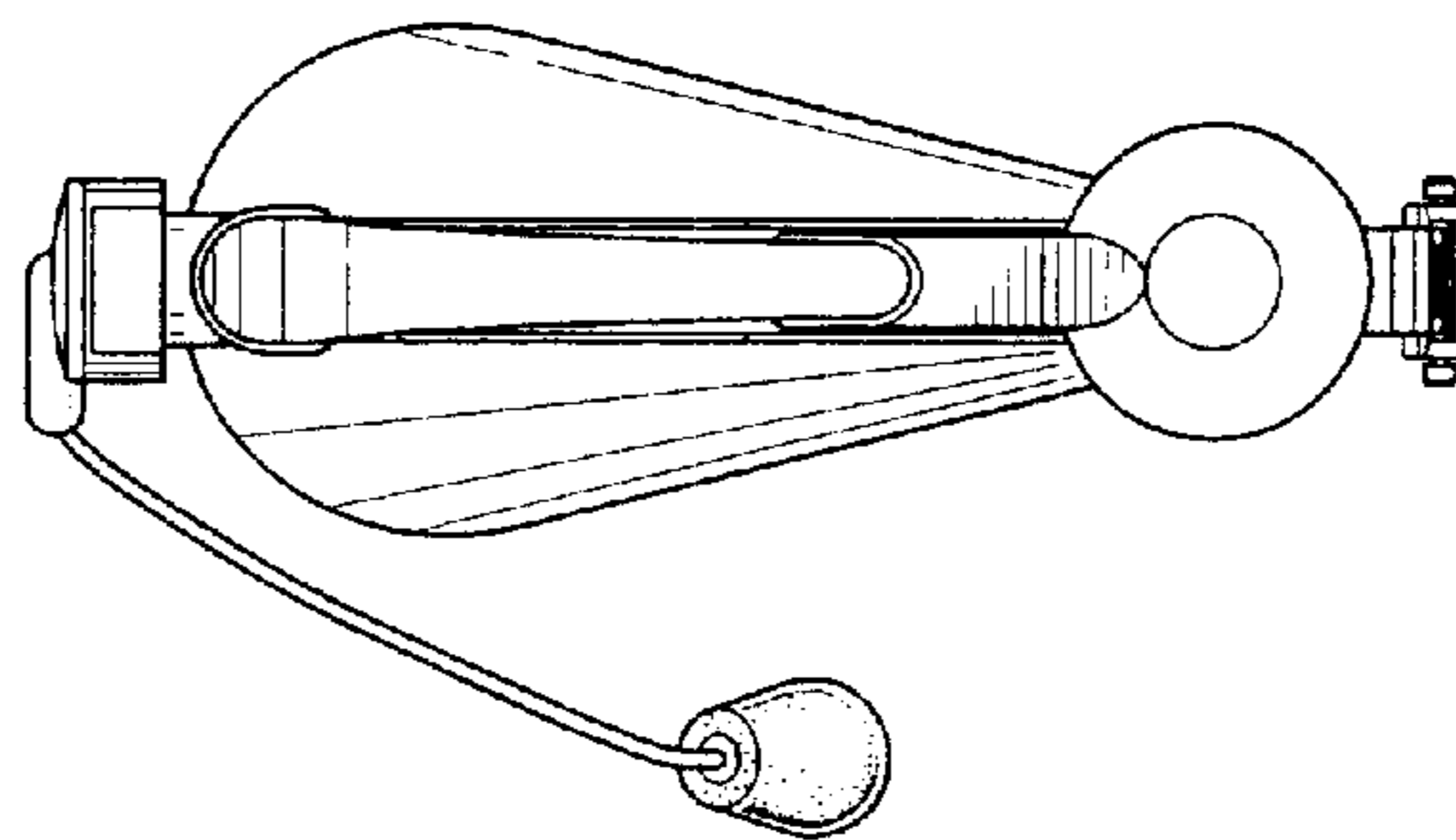


FIG. 12

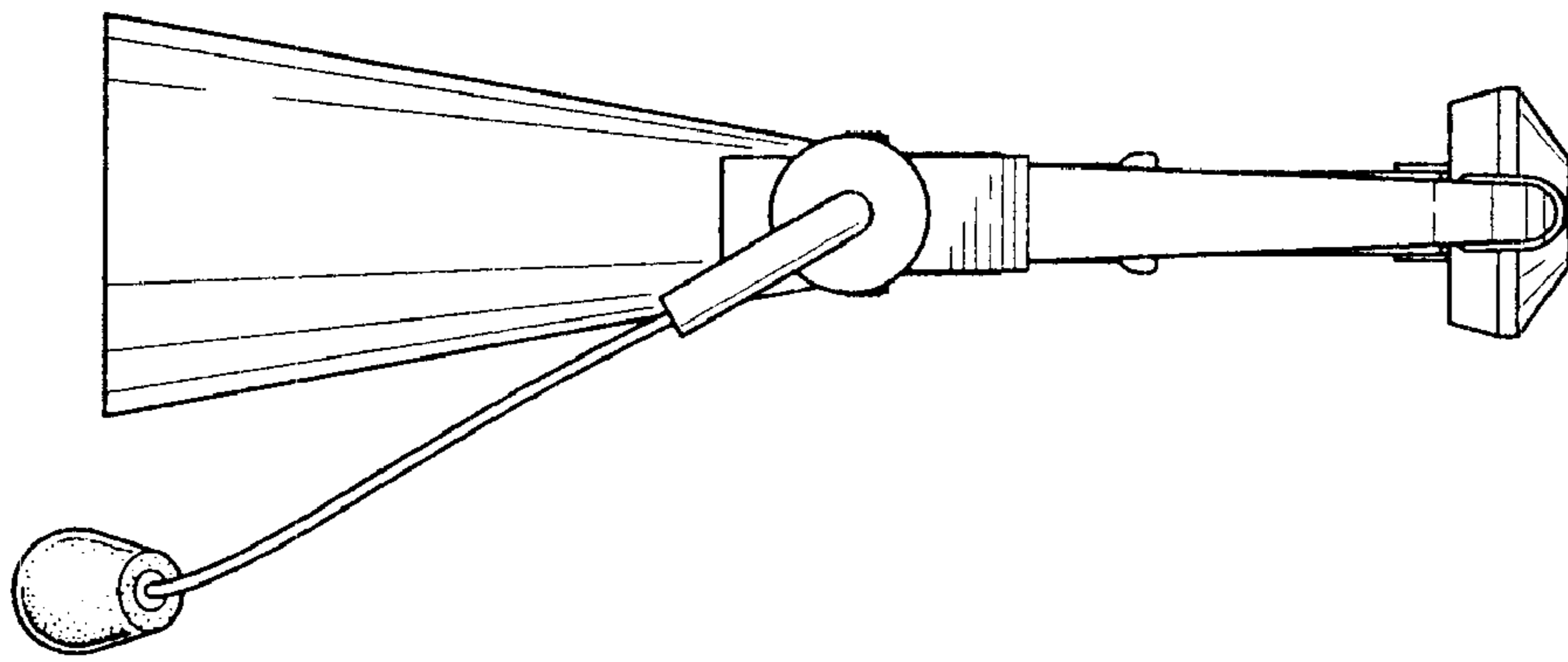


FIG. 13

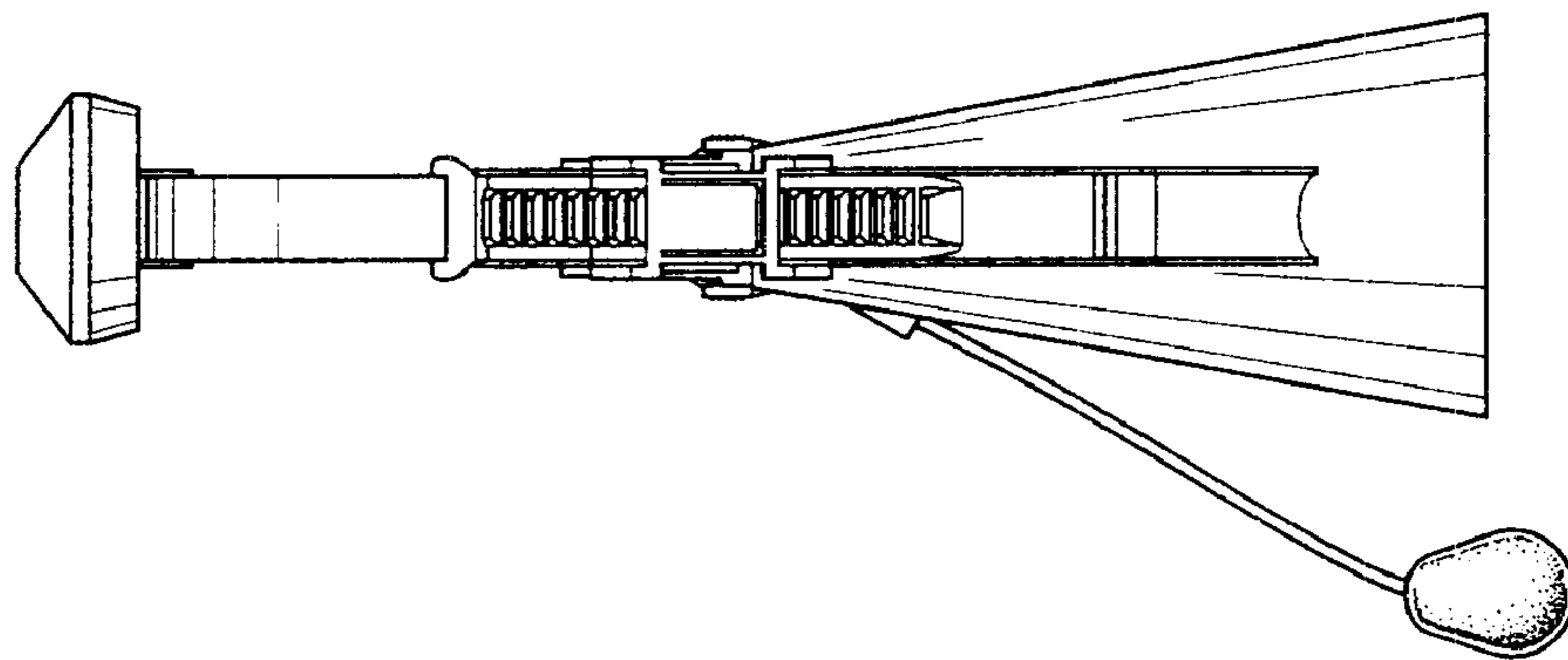


FIG. 14

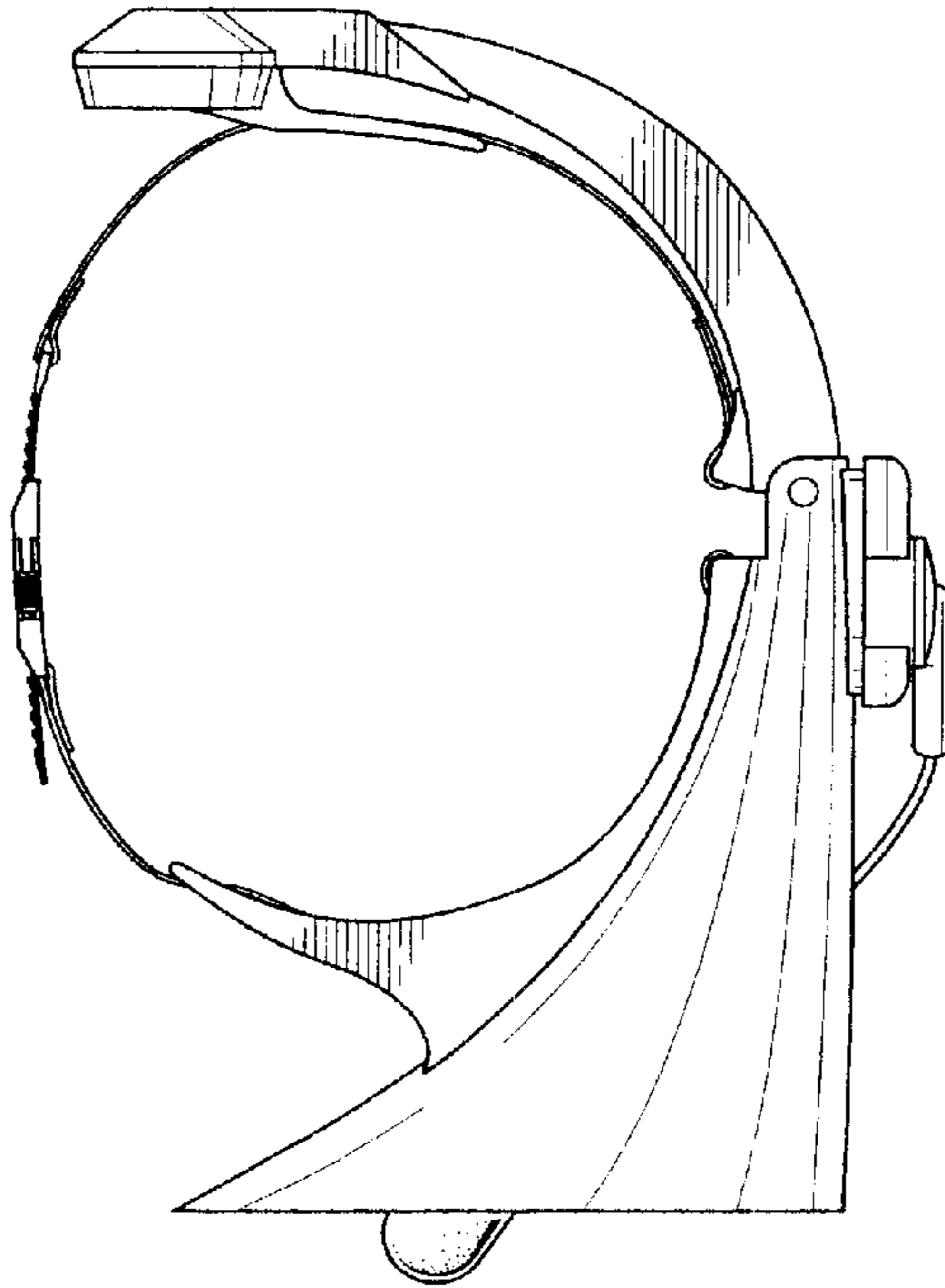


FIG. 15

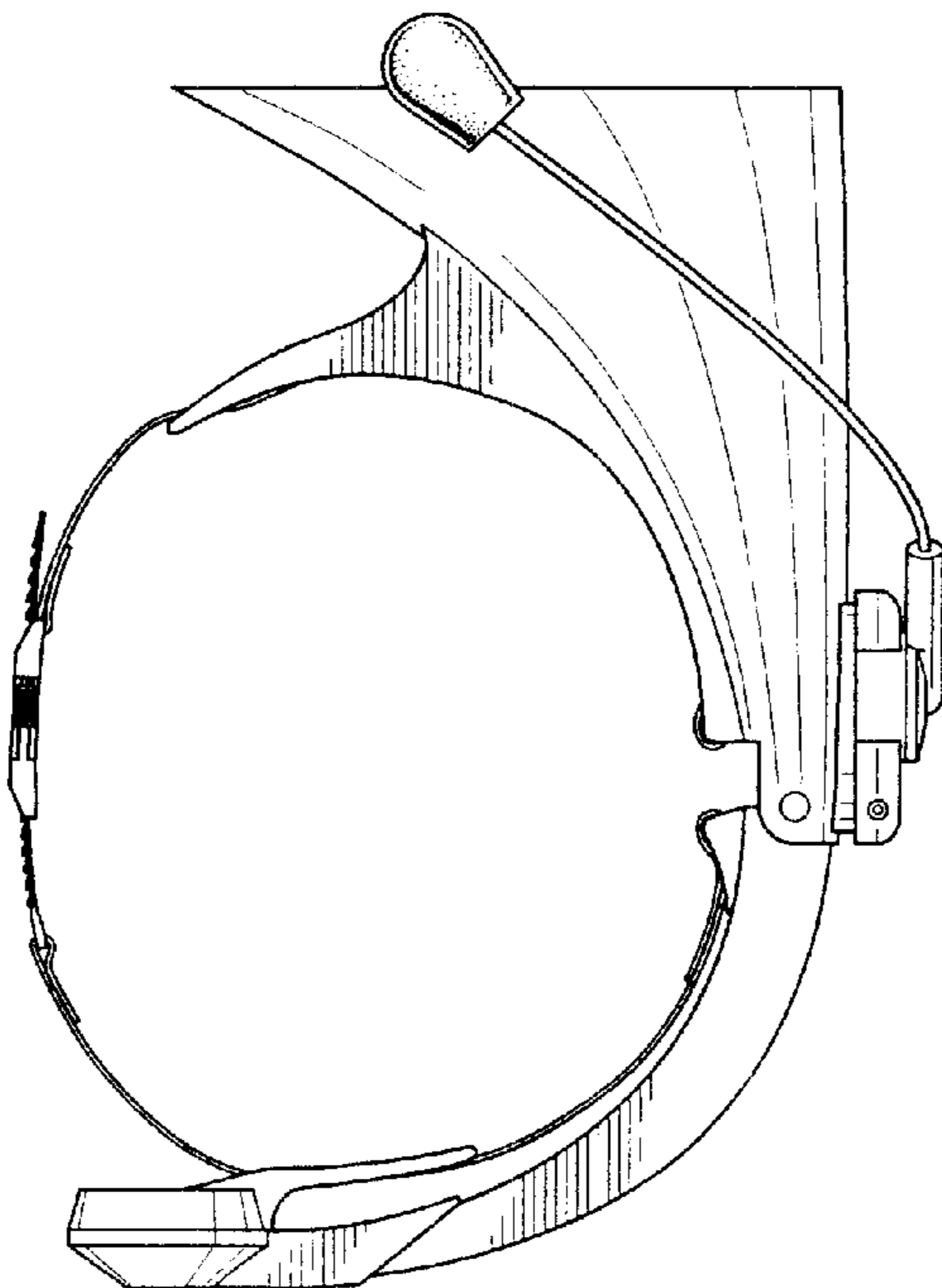


FIG. 16

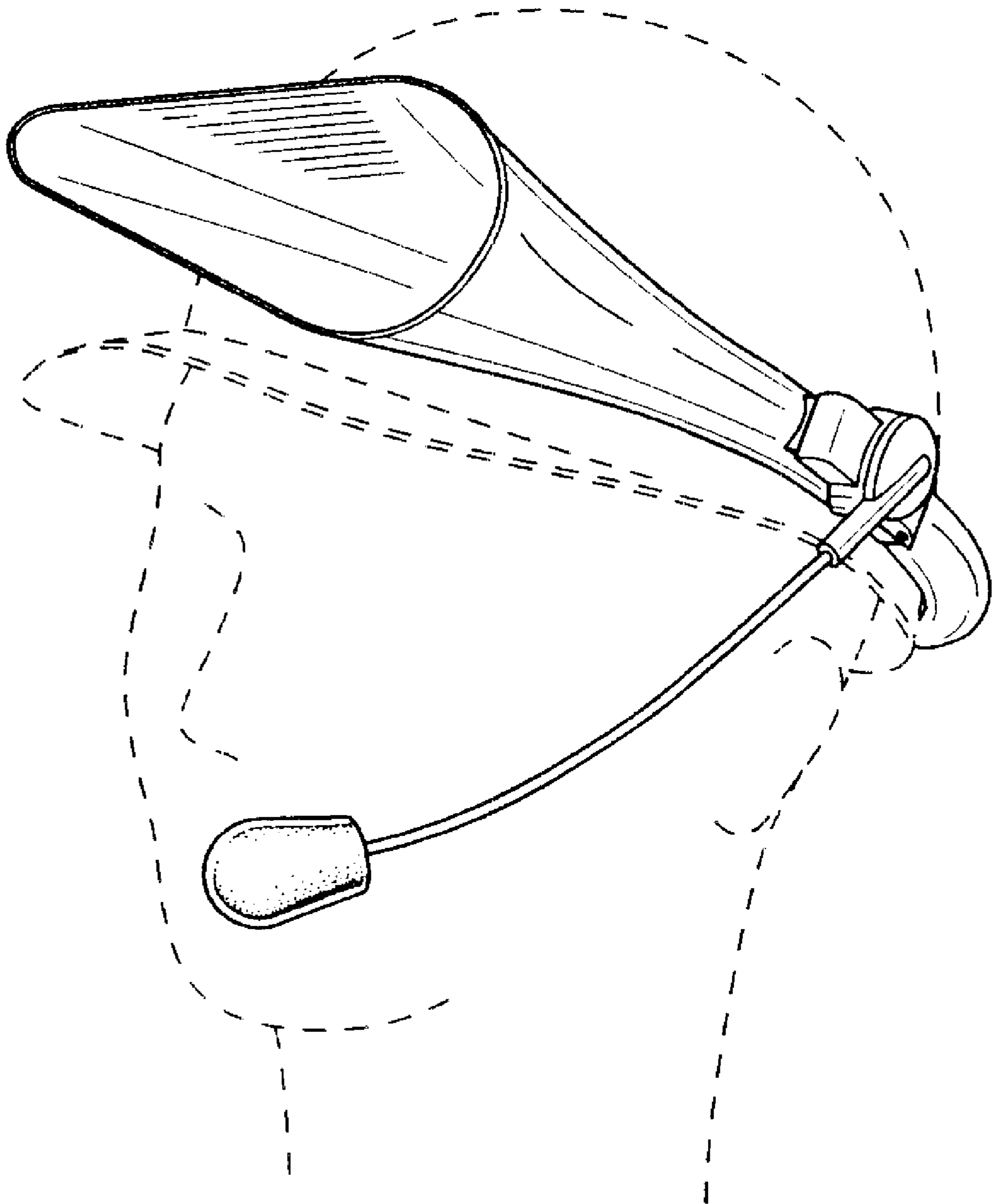


FIG. 17

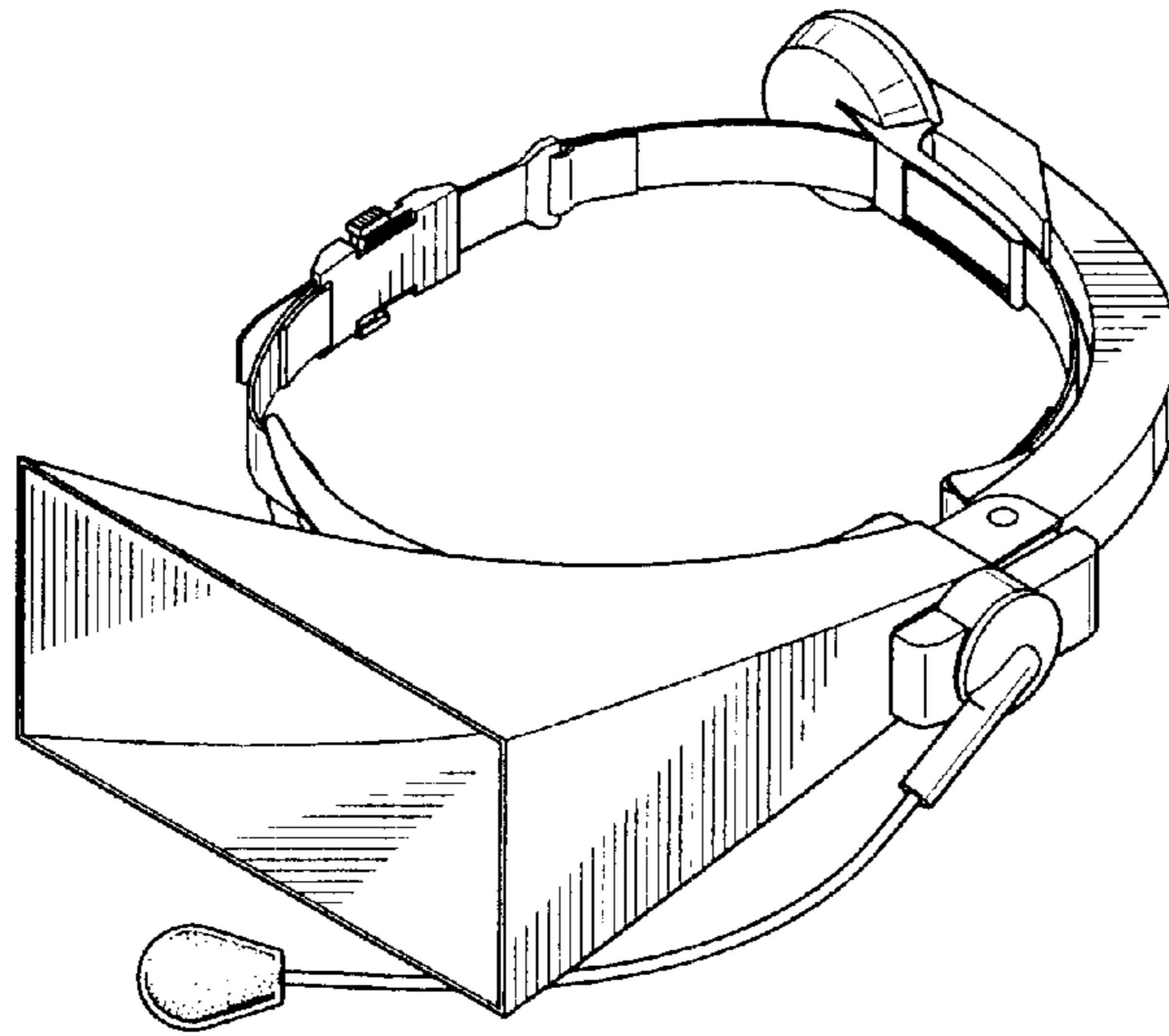


FIG. 18

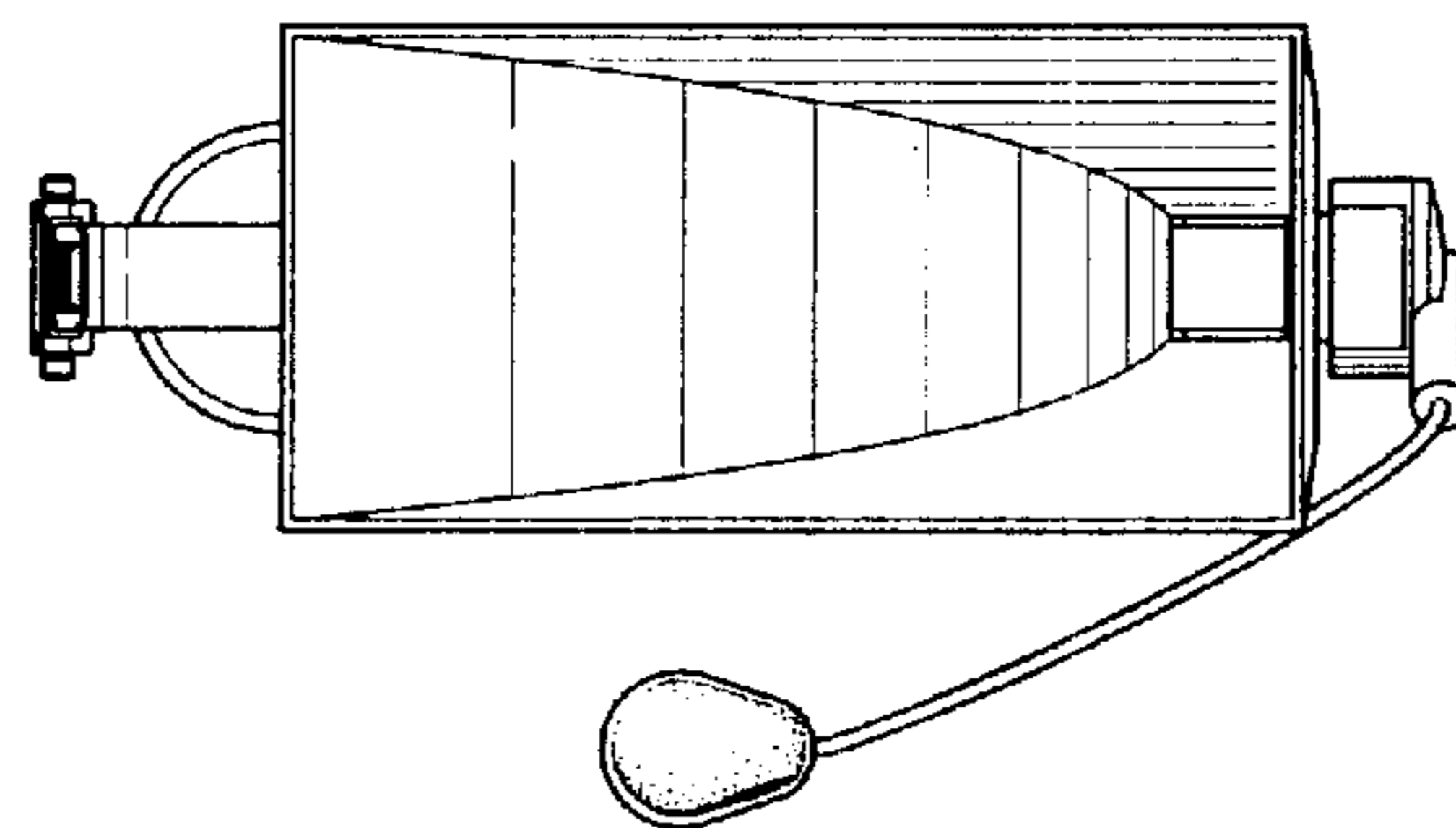


FIG. 19

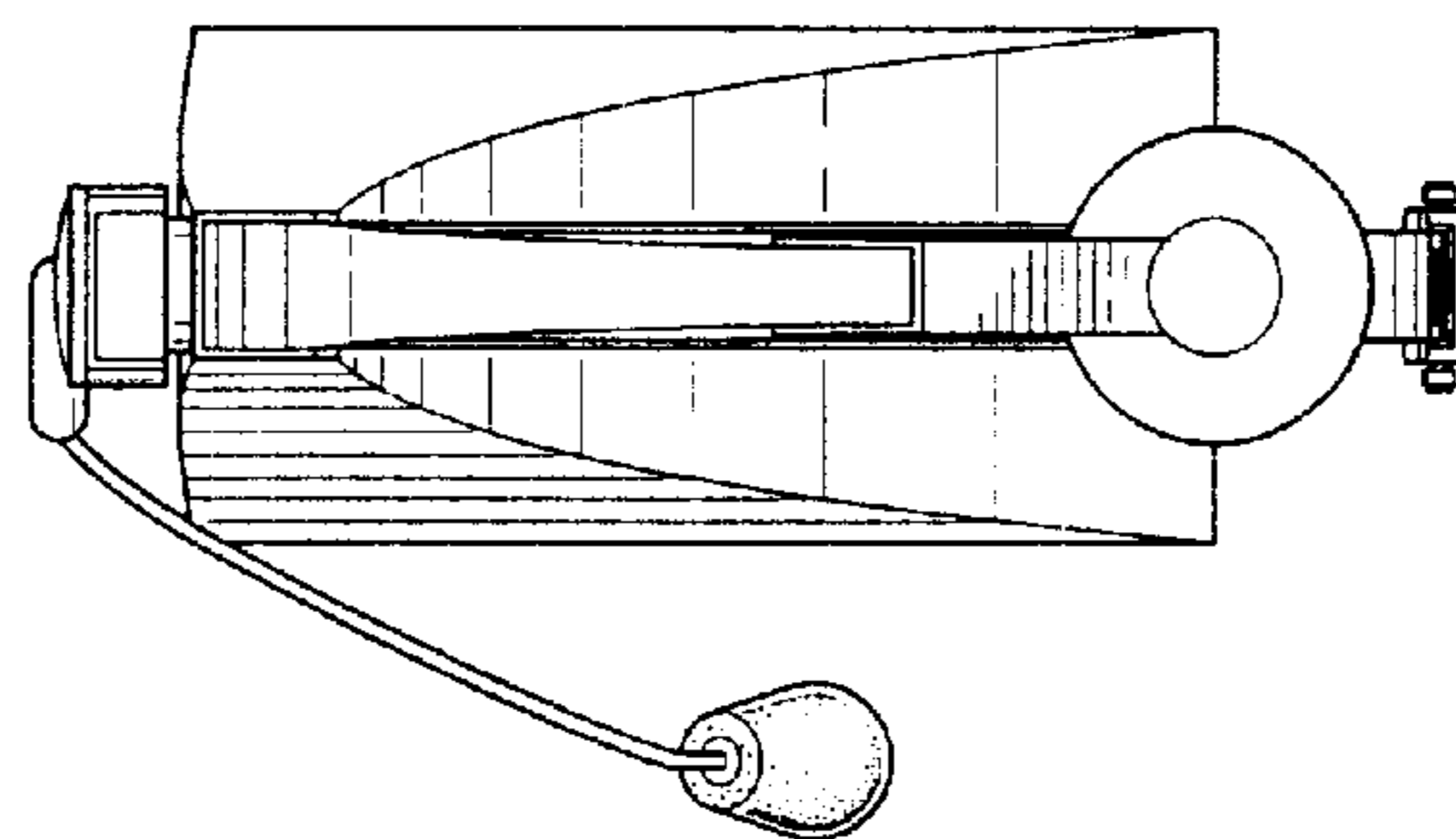


FIG. 20

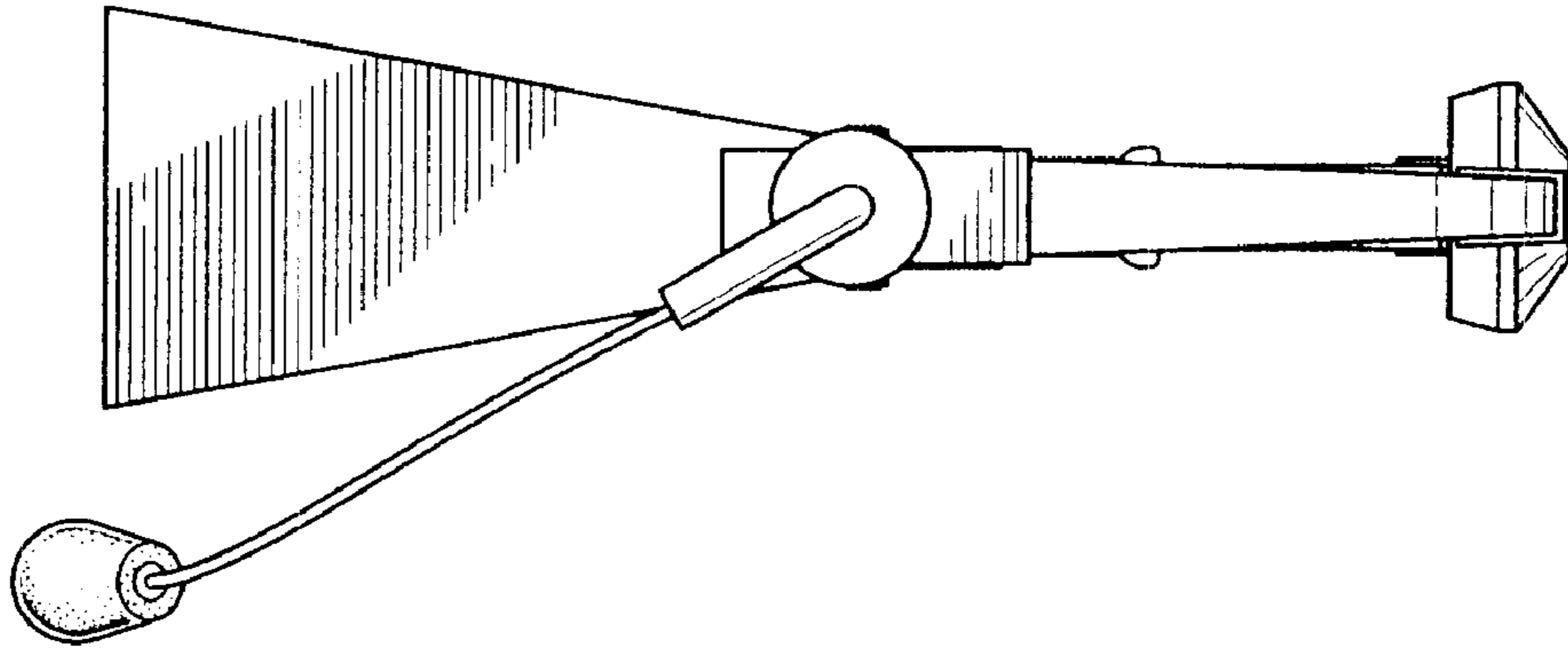


FIG. 21

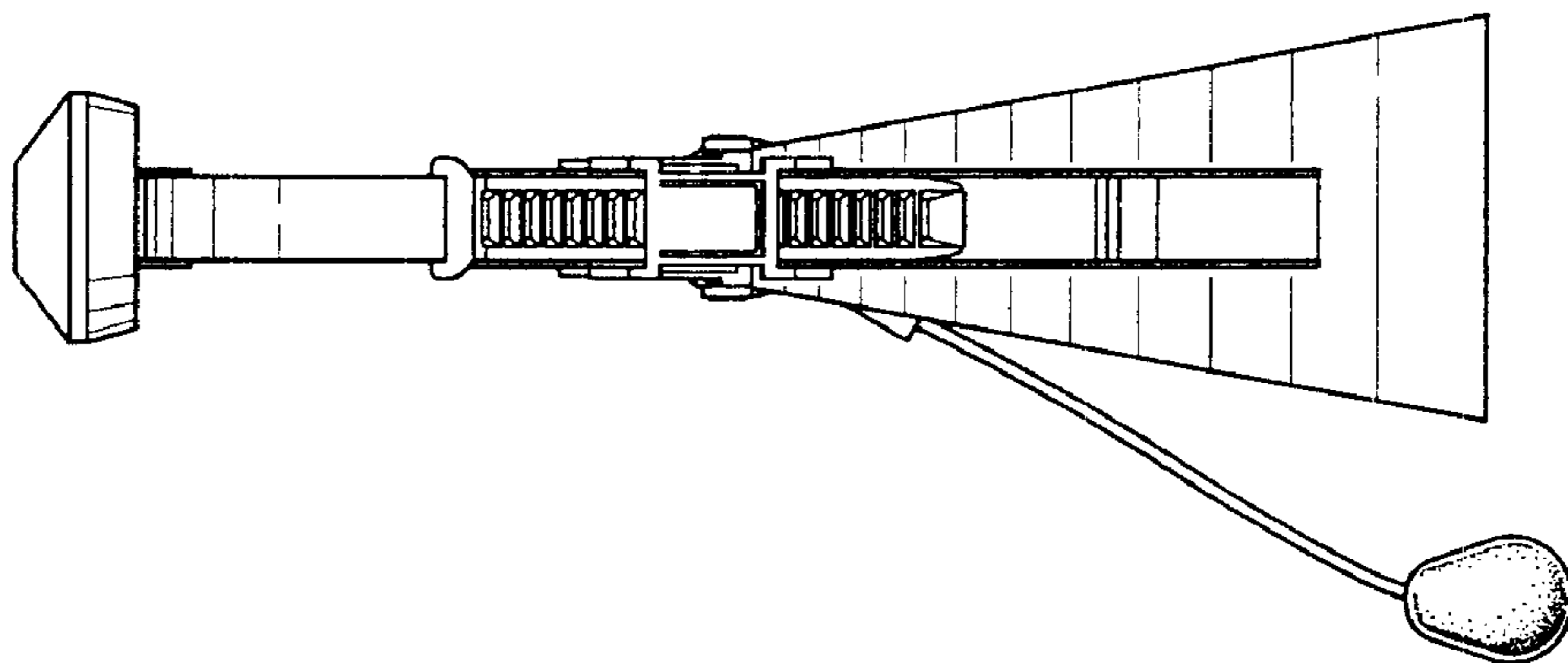


FIG. 22

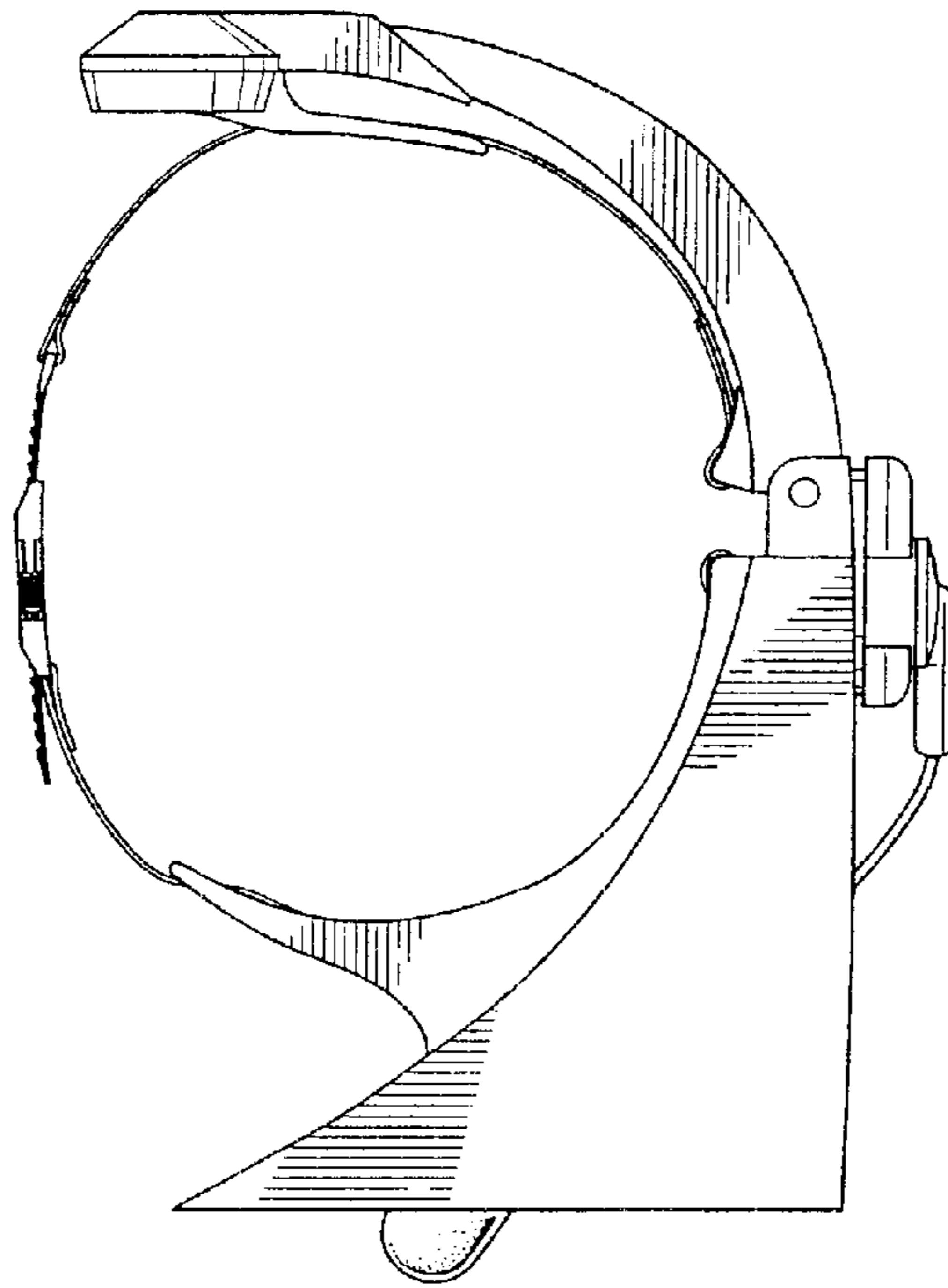


FIG. 23

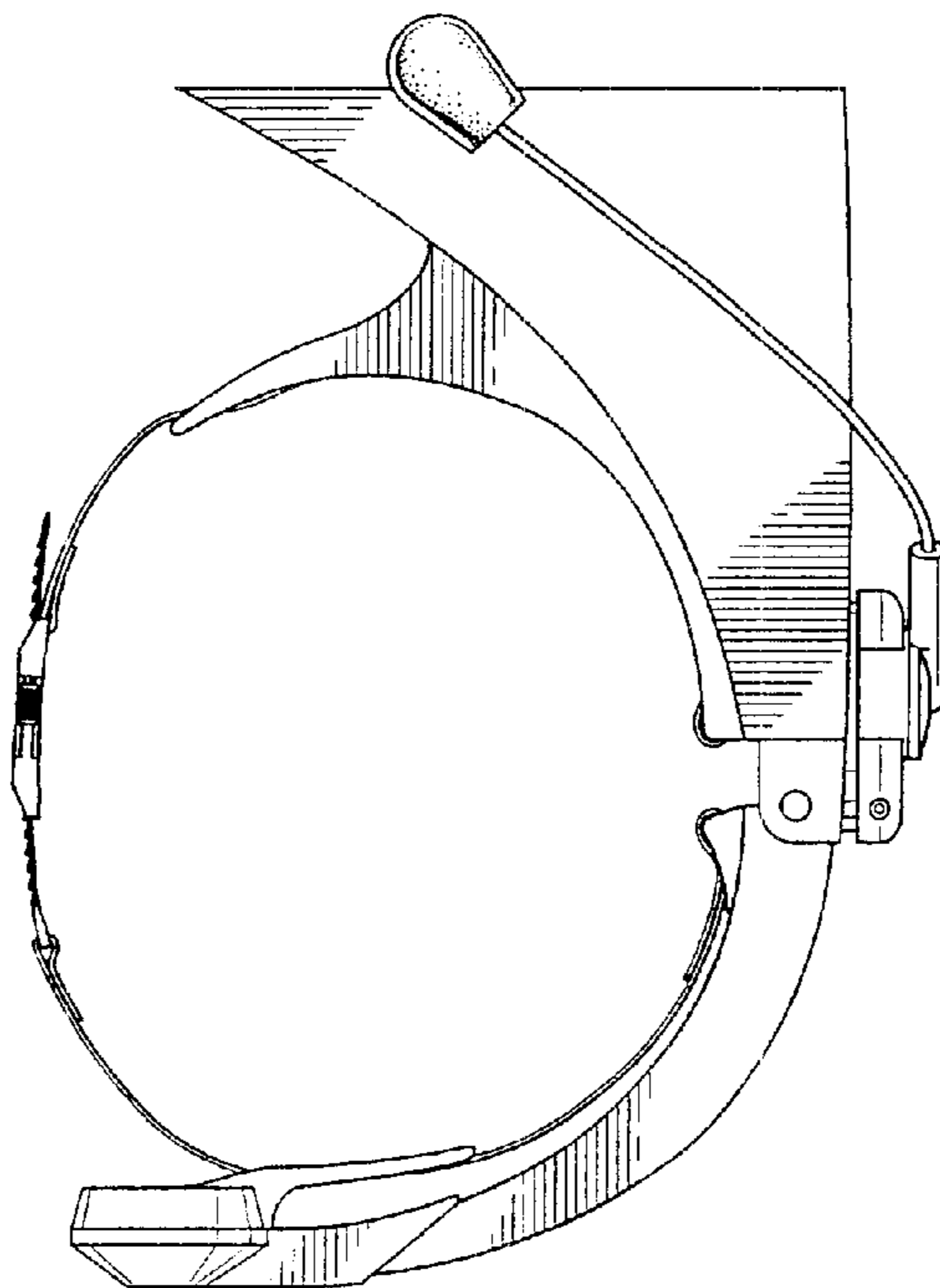


FIG. 24

