



US00D478327S

(12) **United States Design Patent**
Rozier

(10) **Patent No.:** **US D478,327 S**

(45) **Date of Patent:** **** Aug. 12, 2003**

(54) **RADIO**

(75) **Inventor:** **Charles Rozier**, Westport, CT (US)

(73) **Assignee:** **Boston Acoustics, Inc.**, Peabody, MA (US)

(**) **Term:** **14 Years**

(21) **Appl. No.:** **29/171,463**

(22) **Filed:** **Nov. 22, 2002**

(51) **LOC (7) Cl.** **14-03**

(52) **U.S. Cl.** **D14/188**

(58) **Field of Search** D14/135, 136,
D14/162, 163, 168, 170, 171, 188, 193-198,
265; 455/344, 347, 350, 351

(56) **References Cited**

U.S. PATENT DOCUMENTS

- 4,181,823 A * 1/1980 DeLamoreaux et al. 455/347
- D271,694 S * 12/1983 Nomura et al. D14/197
- D313,021 S * 12/1990 Ehrmann D14/195

- D375,956 S * 11/1996 Shintani D14/198
- 5,883,859 A * 3/1999 Bentley 455/344
- D431,033 S * 9/2000 Takahashi et al. D14/188
- D435,034 S * 12/2000 Tejima D14/188
- D444,138 S * 6/2001 Ito et al. D14/188
- D444,778 S * 7/2001 Ito et al. D14/188

* cited by examiner

Primary Examiner—Prabhakar Deshmukh

(74) *Attorney, Agent, or Firm*—Wolf, Greenfield & Sacks, P.C.

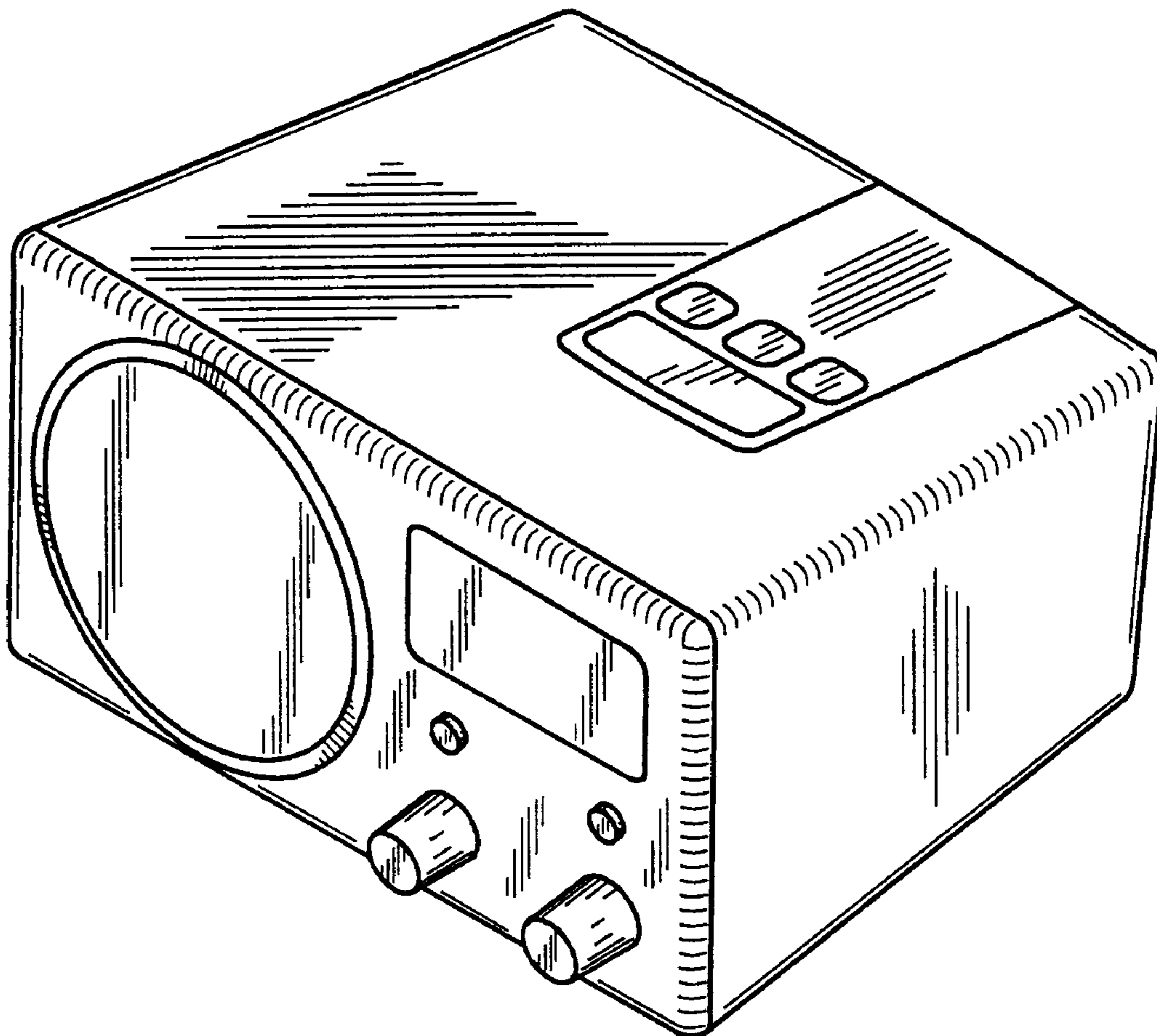
(57) **CLAIM**

The ornamental design for a radio, as shown and described.

DESCRIPTION

FIG. 1 is a perspective view of the invention as seen from the front, above and the side;
FIG. 2 is a front elevational view thereof;
FIG. 3 is a top plan view thereof; and,
FIG. 4 is a side elevational view.

1 Claim, 1 Drawing Sheet



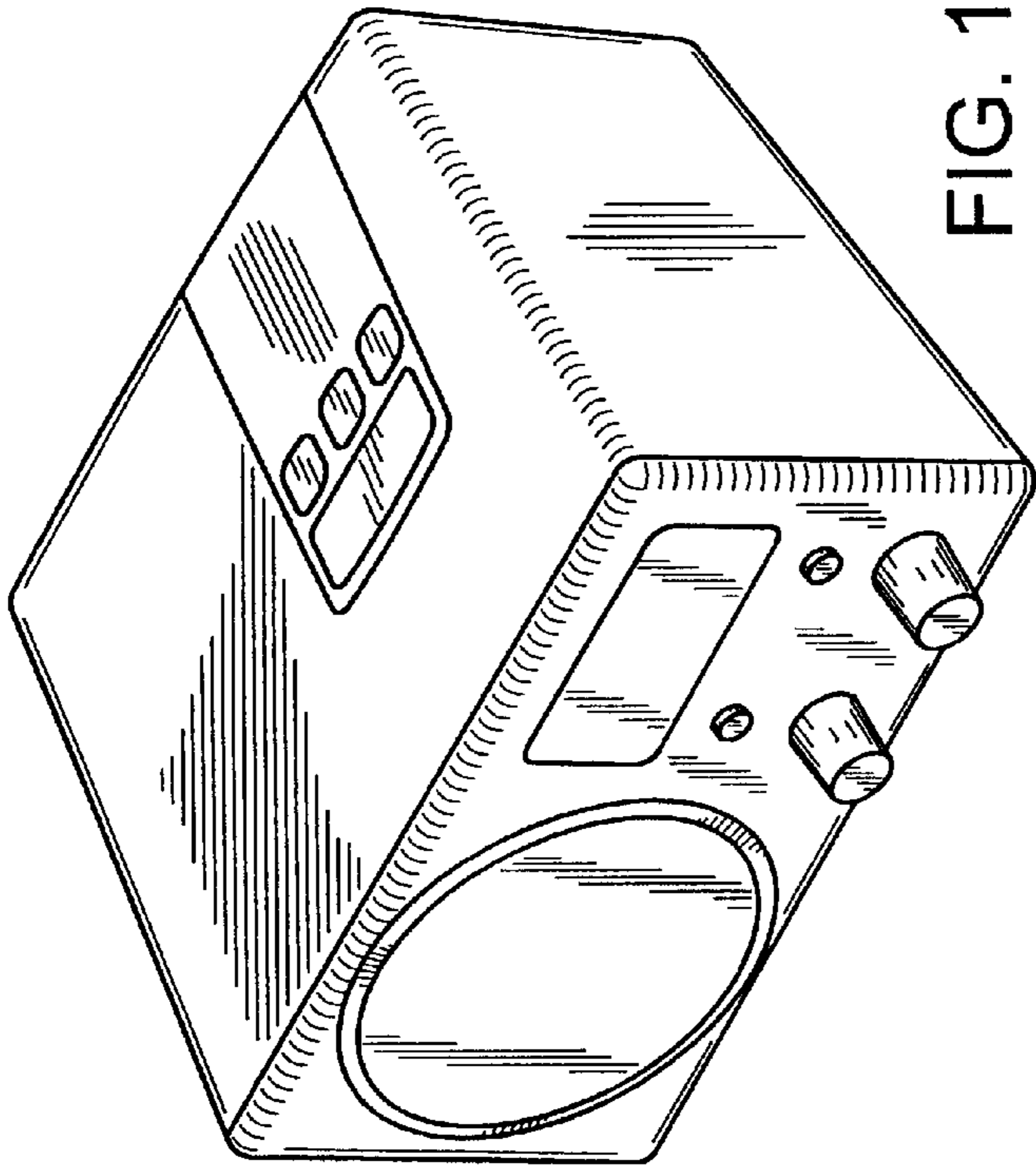


FIG. 1

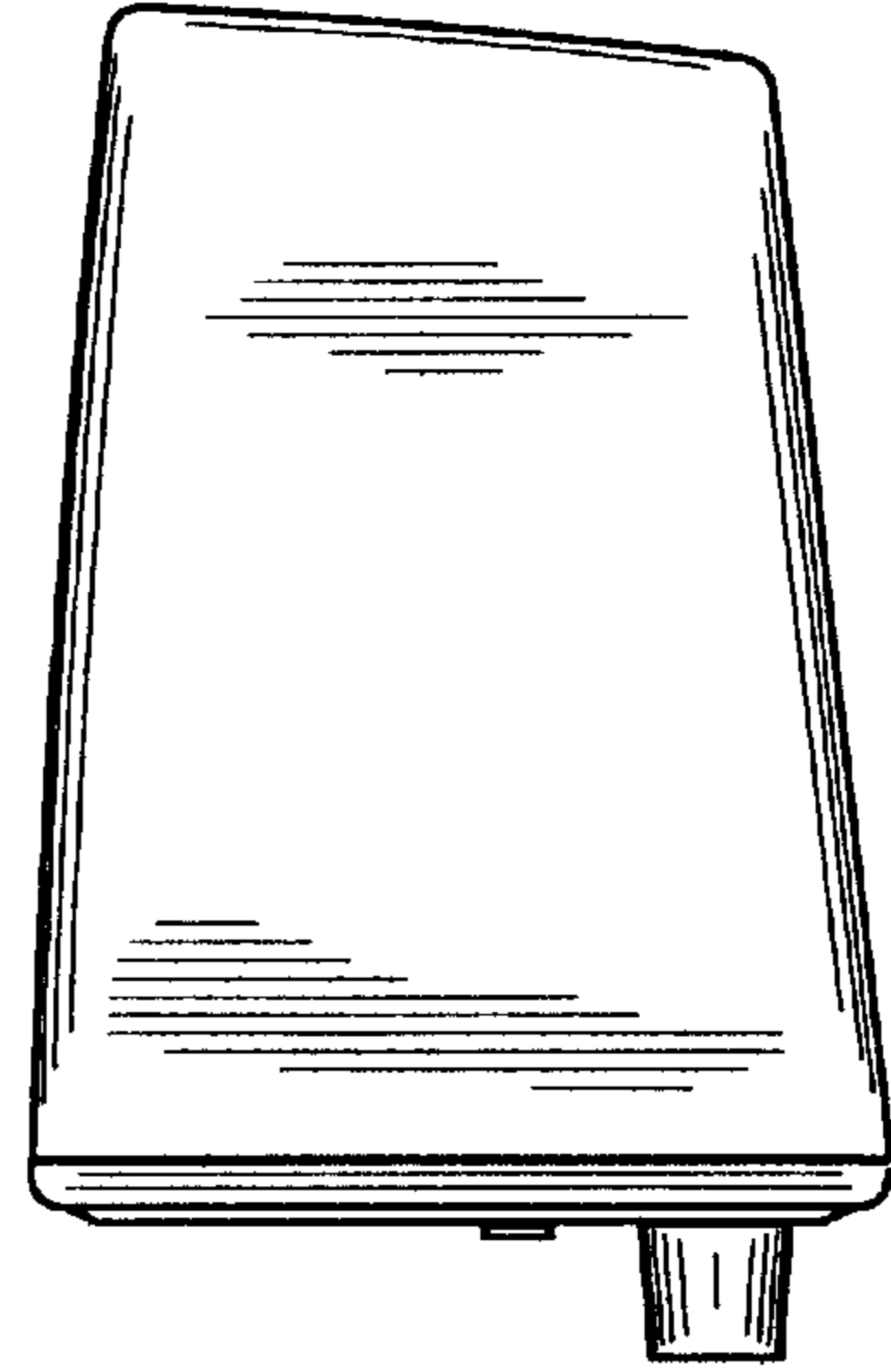


FIG. 4

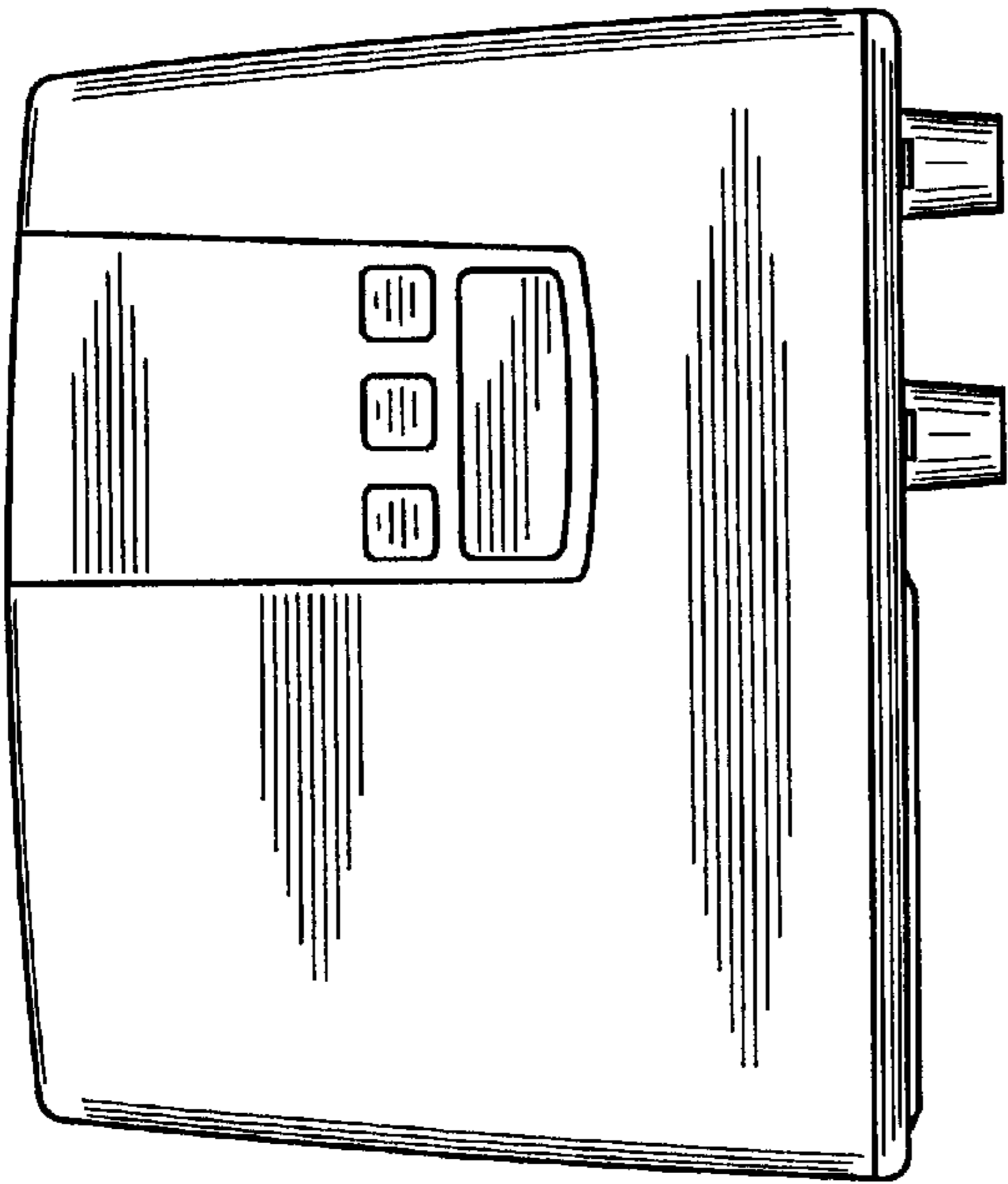


FIG. 3

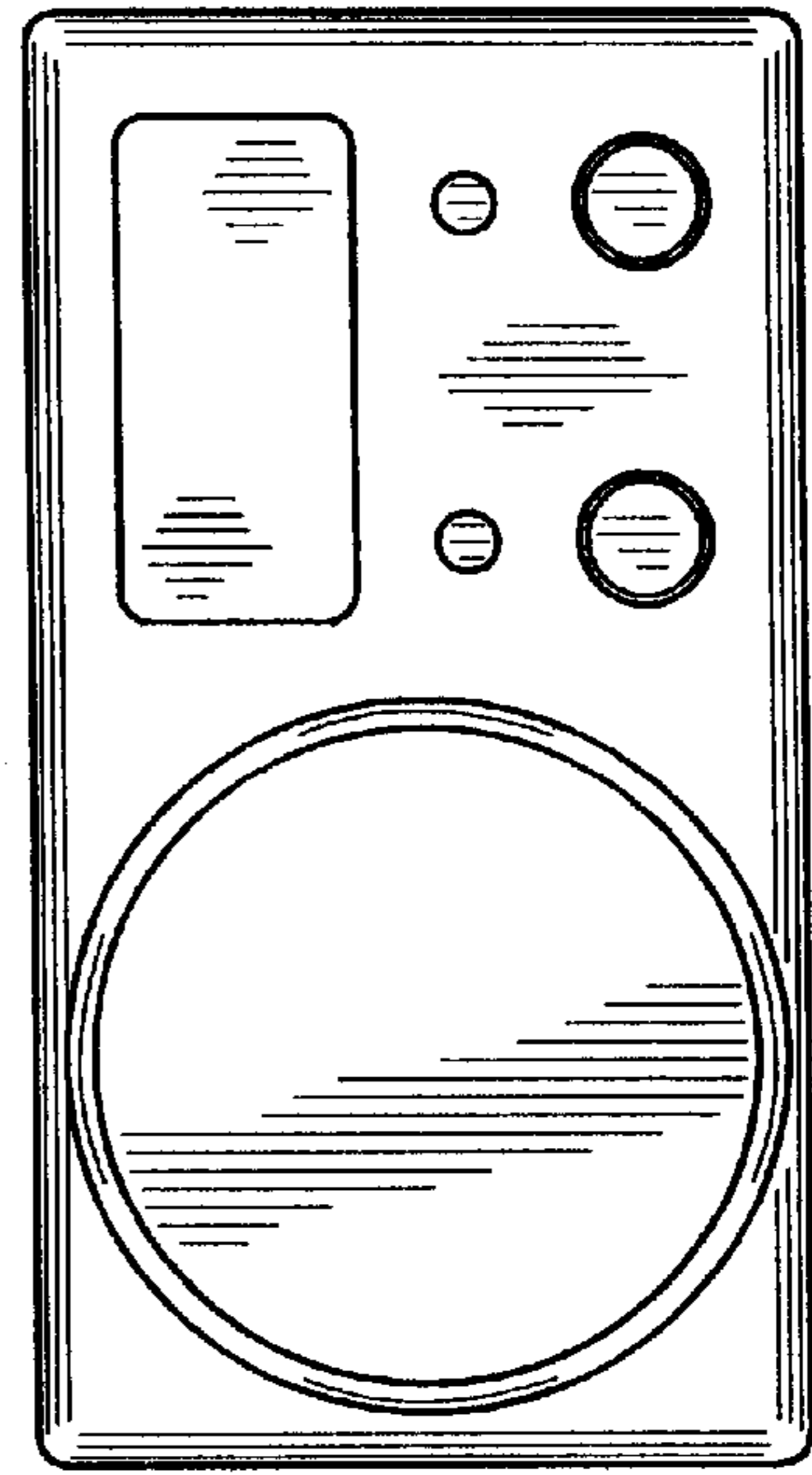


FIG. 2