



US00D478324S

(12) **United States Design Patent**  
**O'Neil**

(10) **Patent No.:** **US D478,324 S**

(45) **Date of Patent:** **\*\* Aug. 12, 2003**

(54) **HANDSET**

(75) **Inventor:** **Daniel G. O'Neil, Seattle, WA (US)**

(73) **Assignee:** **Microsoft Corporation, Redmond, WA (US)**

(\*\*) **Term:** **14 Years**

(21) **Appl. No.:** **29/155,785**

(22) **Filed:** **Feb. 19, 2002**

(51) **LOC (7) Cl.** ..... **14-03**

(52) **U.S. Cl.** ..... **D14/138**

(58) **Field of Search** ..... D14/137, 138,  
D14/218, 147-148, 247-248, 144, 341-347;  
379/433.01-433.13, 419, 434, 428.01-428.04,  
420.01-420.04, 440; 455/550-575, 90

(56) **References Cited**

**U.S. PATENT DOCUMENTS**

D385,875 S	*	11/1997	Harris et al. ....	D14/138
D386,493 S	*	11/1997	Mahan .....	D14/138
D390,509 S	*	2/1998	Antzinas et al. ....	D14/138
D408,397 S	*	4/1999	Renard .....	D14/138
D420,351 S	*	2/2000	Waldner .....	D14/138
D421,005 S	*	2/2000	Lucaci et al. ....	D14/138
D421,435 S	*	3/2000	Haase et al. ....	D14/137
D422,585 S	*	4/2000	Ng et al. ....	D14/137
D428,402 S	*	7/2000	Son et al. ....	D14/138
D432,509 S	*	10/2000	Webb et al. ....	D14/138
D432,511 S	*	10/2000	Eckholm .....	D14/138
D433,002 S	*	10/2000	Kolinen .....	D14/138
D433,017 S	*	10/2000	Martinez .....	D14/346
D434,016 S	*	11/2000	Hunt .....	D14/138
D439,230 S	*	3/2001	Braxton et al. ....	D14/138

D442,930 S	*	5/2001	Nguyen et al. ....	D14/138
D449,826 S	*	10/2001	Kfoury et al. ....	D14/138
D450,671 S	*	11/2001	Langford et al. ....	D14/138
D451,079 S	*	11/2001	Ali .....	D14/138
D454,849 S	*	3/2002	Eckholm .....	D14/138
D455,134 S	*	4/2002	Kolinen .....	D14/138
D456,794 S	*	5/2002	Laverick et al. ....	D14/138

\* cited by examiner

*Primary Examiner*—Jeffrey Asch

(74) *Attorney, Agent, or Firm*—Banner & Witcoff, Ltd.

(57) **CLAIM**

The ornamental design for a handset, as shown and described.

**DESCRIPTION**

FIG. 1 is a front view of a handset showing my new design; FIG. 2 is a rear view thereof; FIG. 3 is a left side view thereof; FIG. 4 is right side view thereof; FIG. 5 is a top view thereof; FIG. 6 is a bottom view thereof; FIG. 7 is a front view of a second embodiment of a handset showing my new design; FIG. 8 is a rear view of the handset of FIG. 7; FIG. 9 is a left side view of the handset of FIG. 7; FIG. 10 is a right side view of the handset of FIG. 7; FIG. 11 is a top view of the handset of FIG. 7; and, FIG. 12 is a bottom view of the handset of FIG. 7.

The broken line showings of various regions in FIGS. 1, 6, 7, and 12 are for illustrative purposes only and form no part of the claimed design.

**1 Claim, 6 Drawing Sheets**





FIG. 7

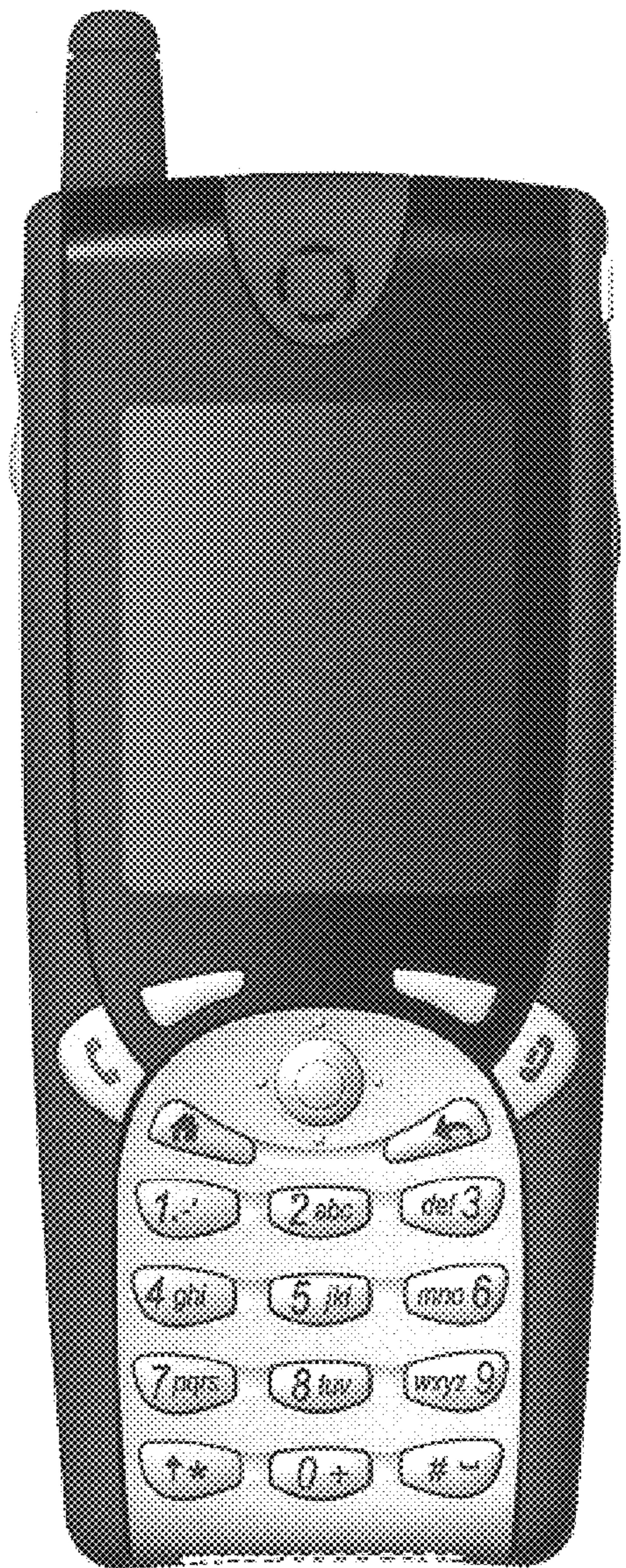


FIG. 1

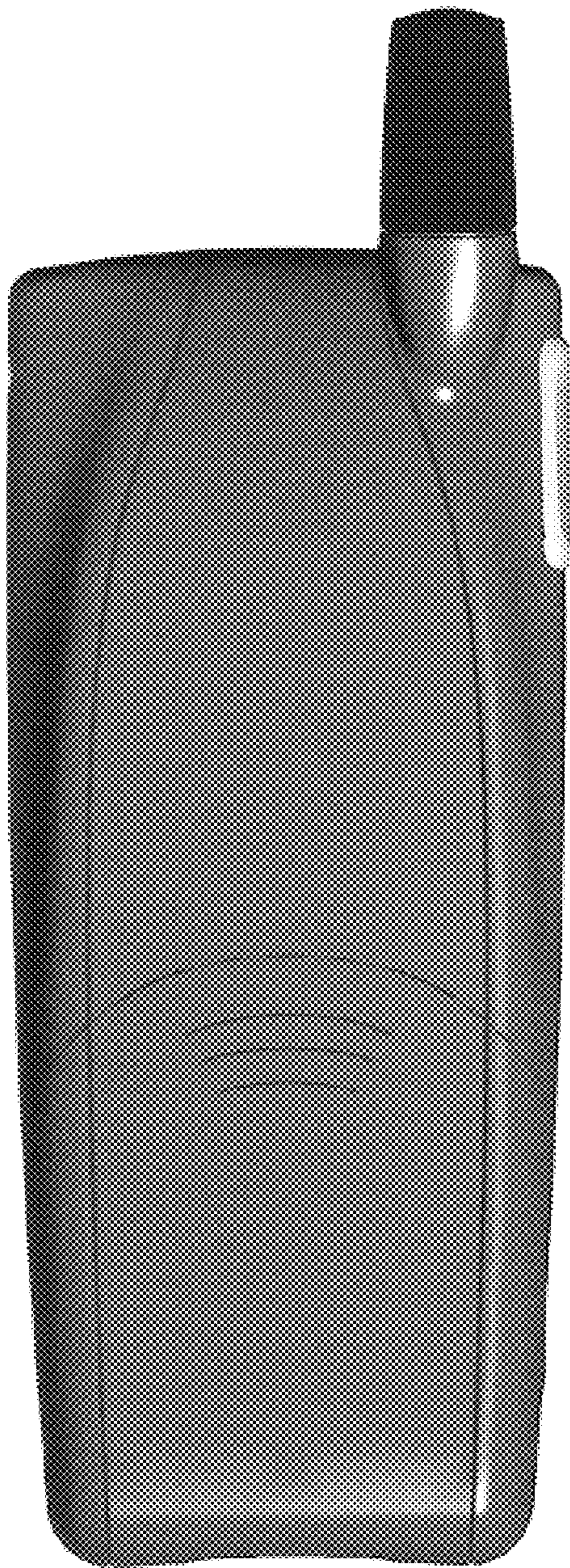


FIG. 8

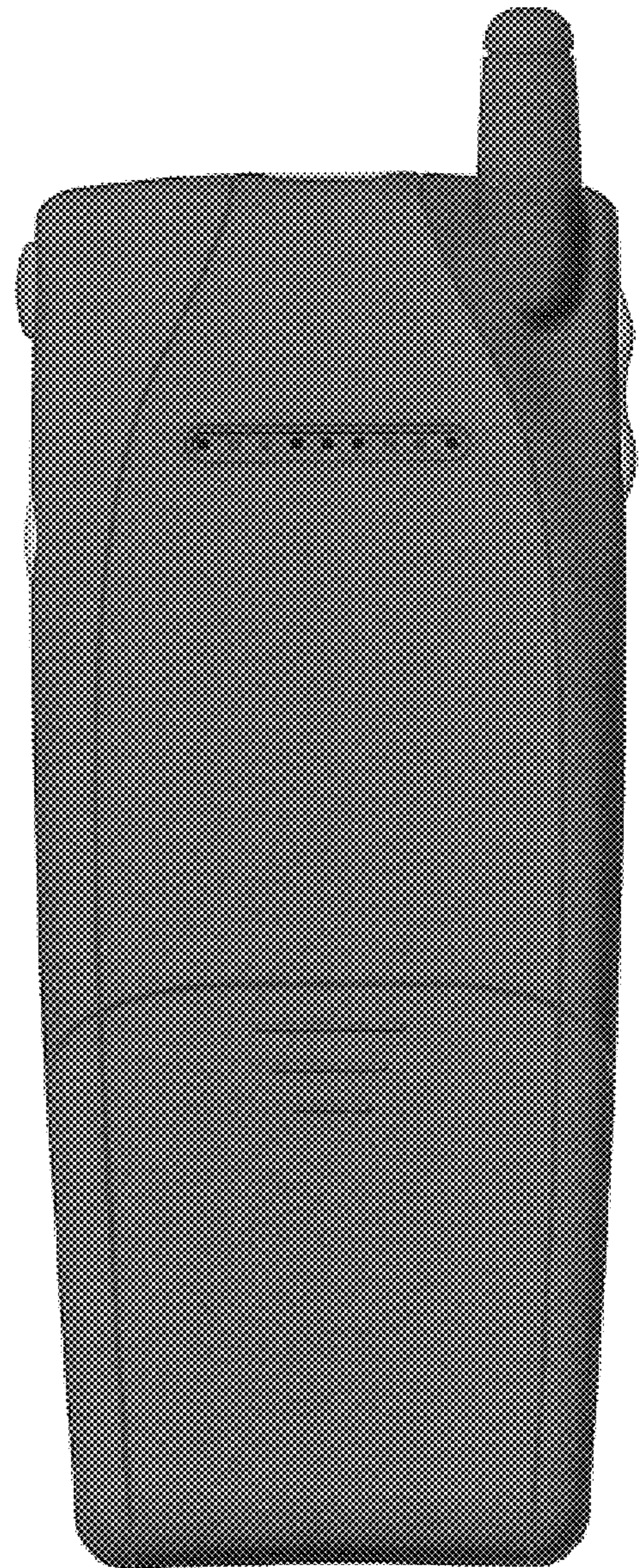


FIG. 2

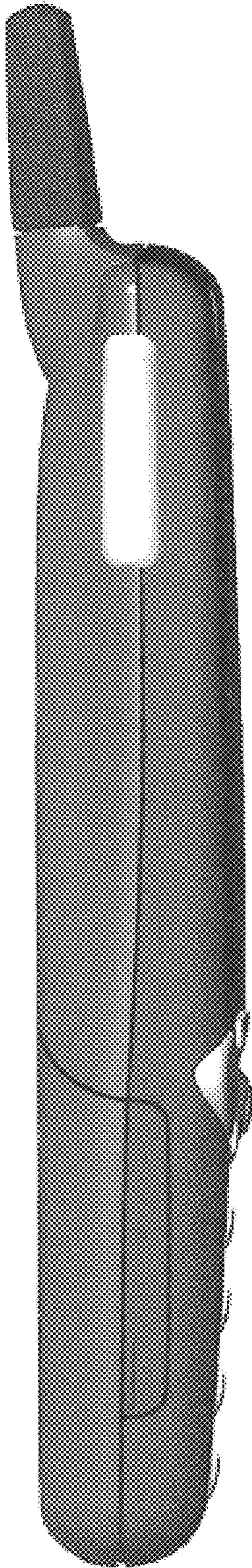


FIG. 9

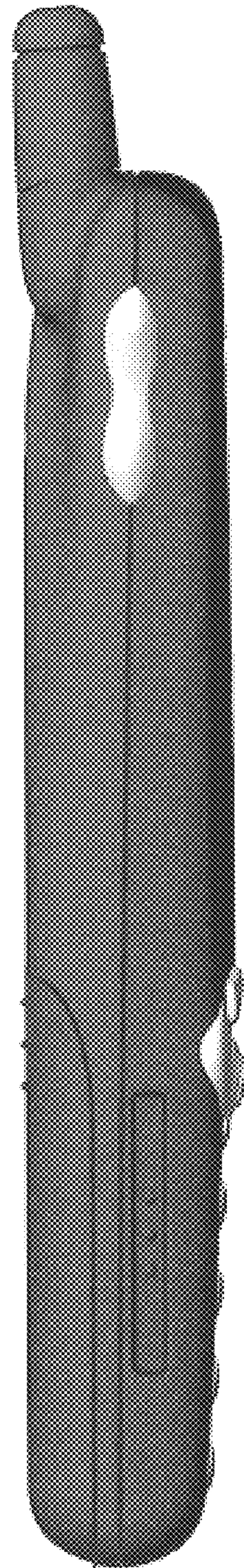


FIG. 3

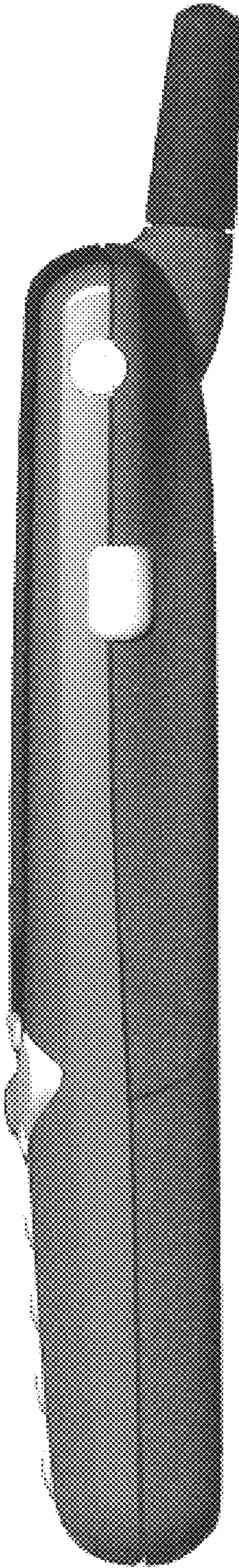


FIG. 10

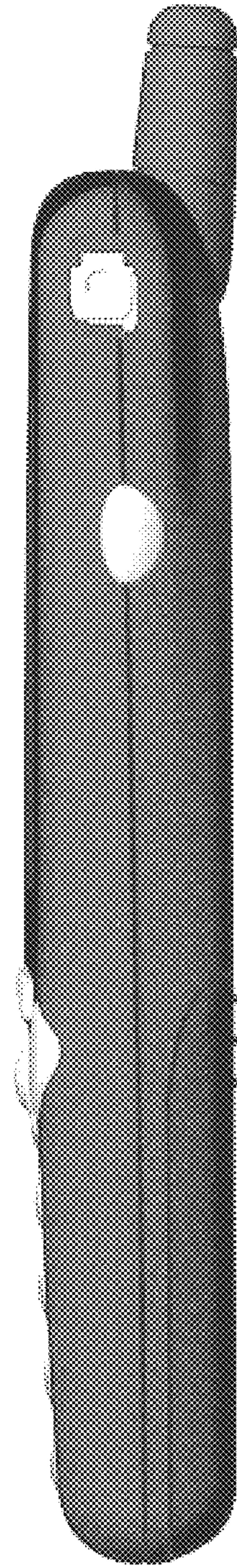


FIG. 4

FIG. 5

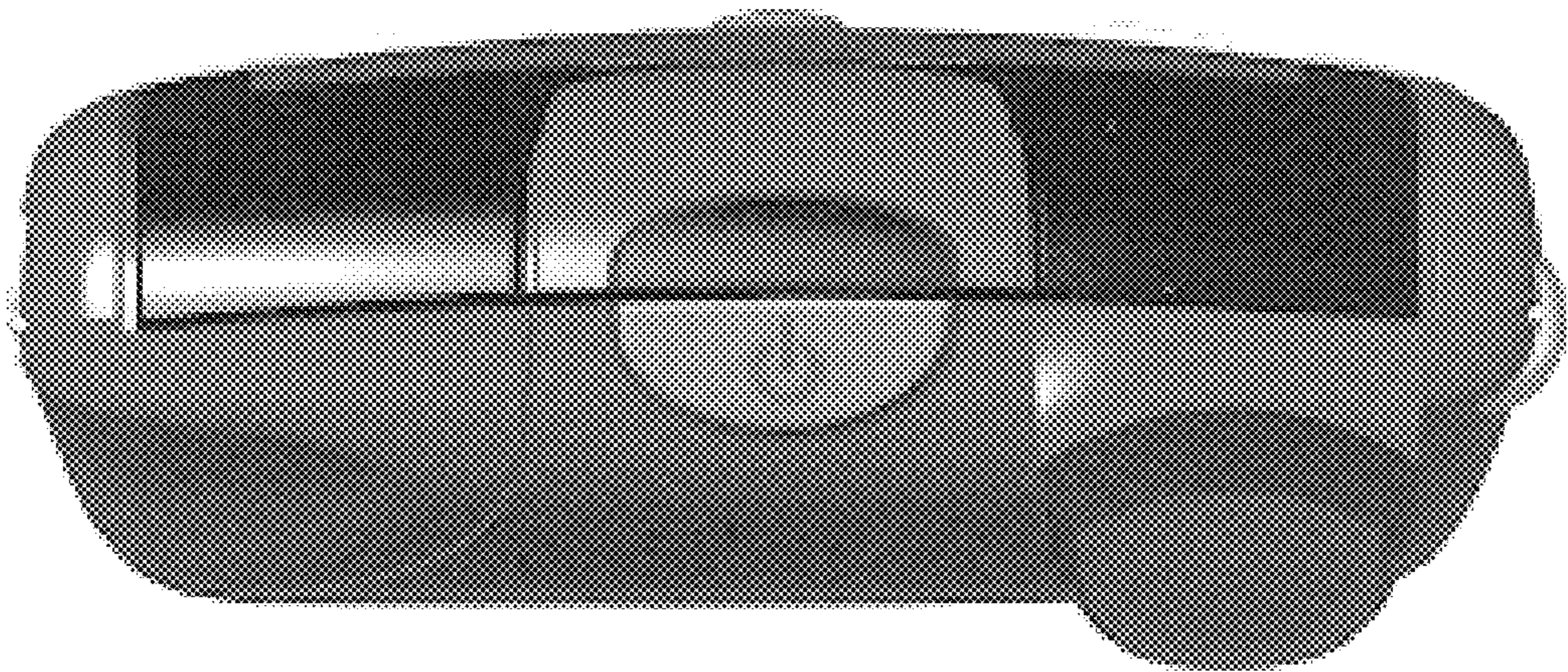
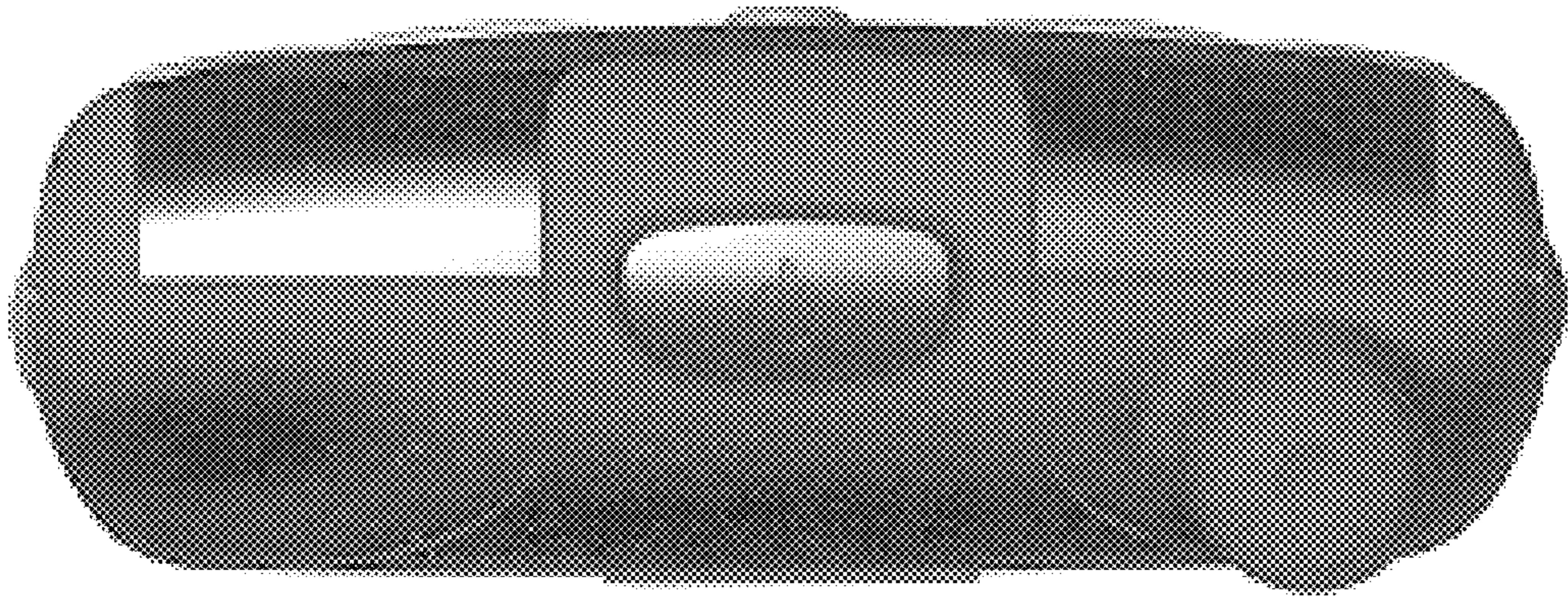


FIG. 11

FIG. 6

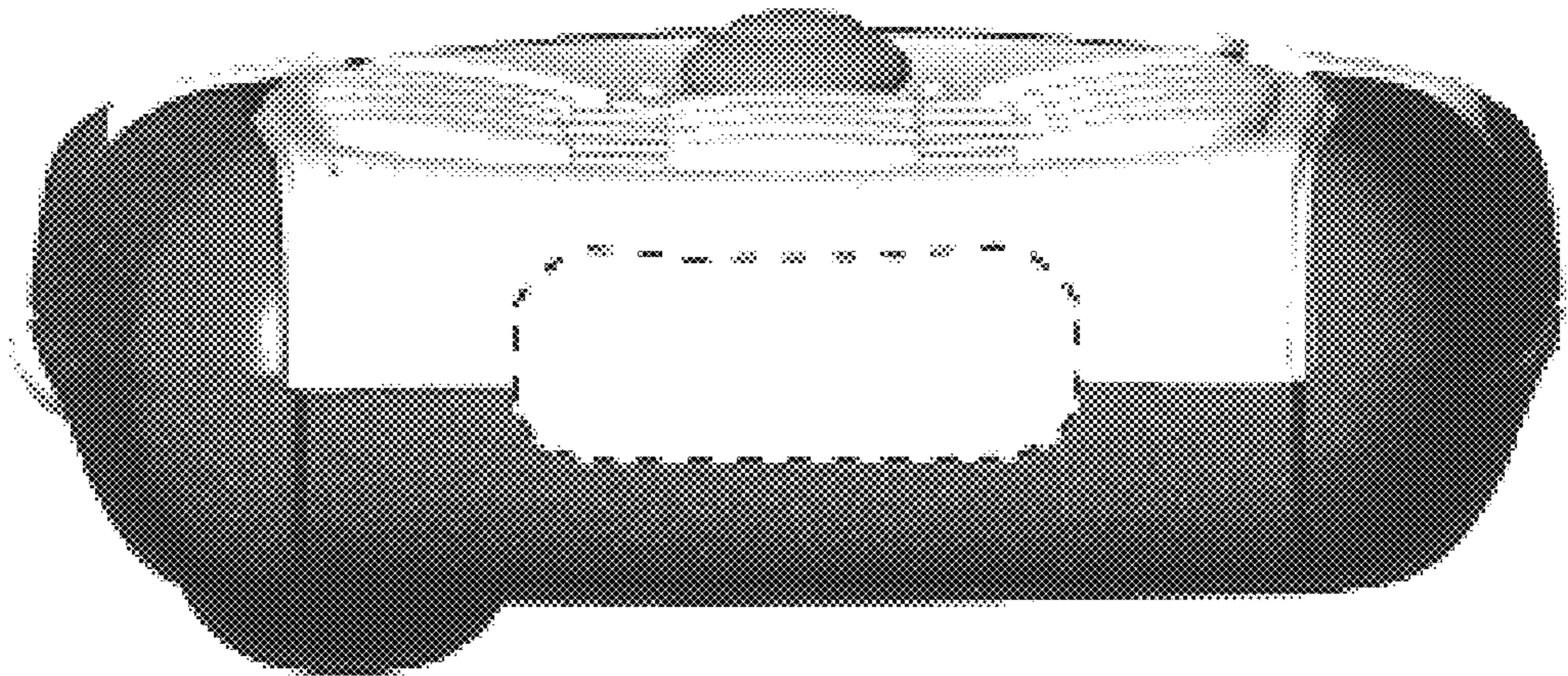
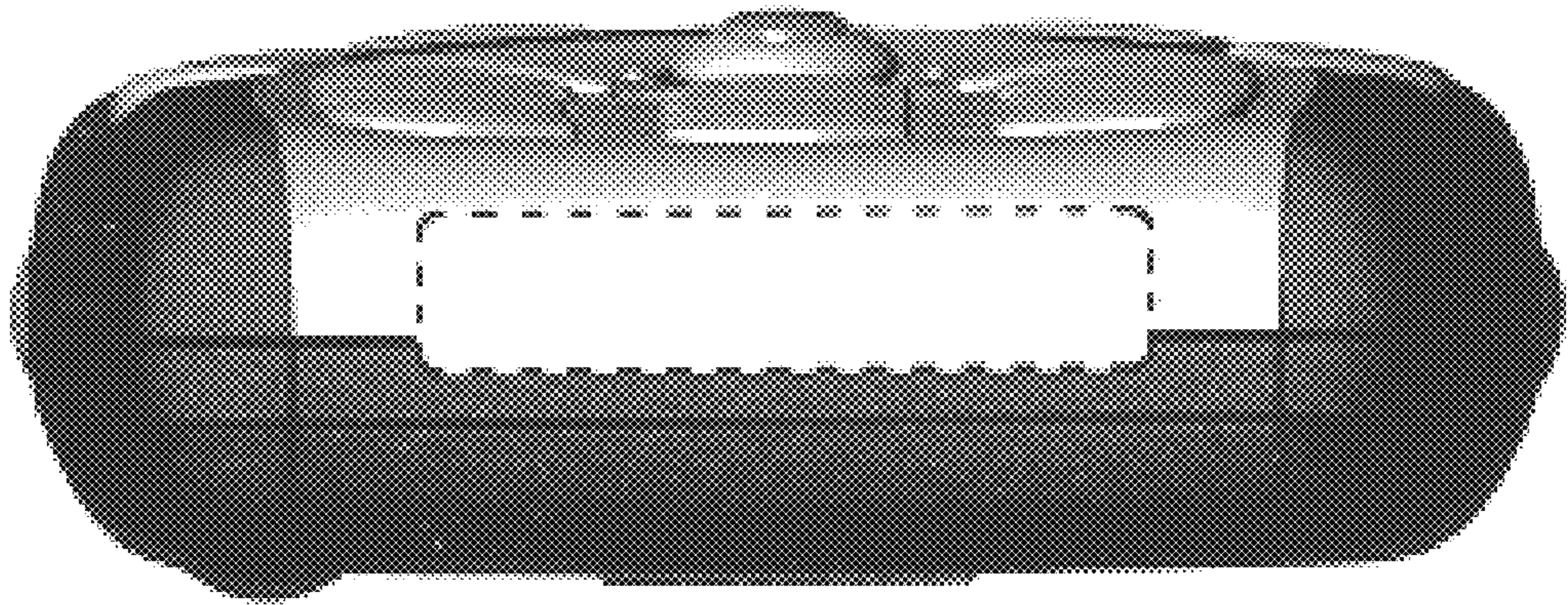


FIG. 12