



US00D478321S

(12) **United States Design Patent**  
**Peng**

(10) **Patent No.:** **US D478,321 S**

(45) **Date of Patent:** **\*\* Aug. 12, 2003**

(54) **INNER SLEEVE OF A NET PLUG**

(76) **Inventor:** **John Peng**, 4Fl., No. 12, Lane 270 Sec. 3, Pei Shen Rd., Shen Keng Shiang, Taipei County 222 (TW)

(\*\*) **Term:** **14 Years**

(21) **Appl. No.:** **29/169,746**

(22) **Filed:** **Oct. 25, 2002**

(51) **LOC (7) Cl.** ..... **13-03**

(52) **U.S. Cl.** ..... **D13/154**

(58) **Field of Search** ..... D13/146, 147, D13/154; 439/137, 418, 460, 608, 610, 676, 941

(56) **References Cited**

**U.S. PATENT DOCUMENTS**

5,203,717	A	*	4/1993	Beck et al.	.....	439/460
5,219,185	A	*	6/1993	Oddenino	.....	285/26
D425,028	S	*	5/2000	Lee	.....	D13/147
6,080,007	A	*	6/2000	Dupuis et al.	.....	439/418
6,280,232	B1	*	8/2001	Beecher et al.	.....	439/418
6,319,048	B1	*	11/2001	Aekins et al.	.....	439/418
6,402,559	B1	*	6/2002	Marowsky et al.	.....	439/676
6,406,325	B1	*	6/2002	Chen	.....	439/418

6,439,920	B1	*	8/2002	Chen	.....	439/418
6,494,739	B1	*	12/2002	Vivenzio et al.	.....	439/579
6,506,077	B2	*	1/2003	Nagel	.....	439/608

\* cited by examiner

*Primary Examiner*—Joel Sincavage

(74) *Attorney, Agent, or Firm*—Norman E. Carte

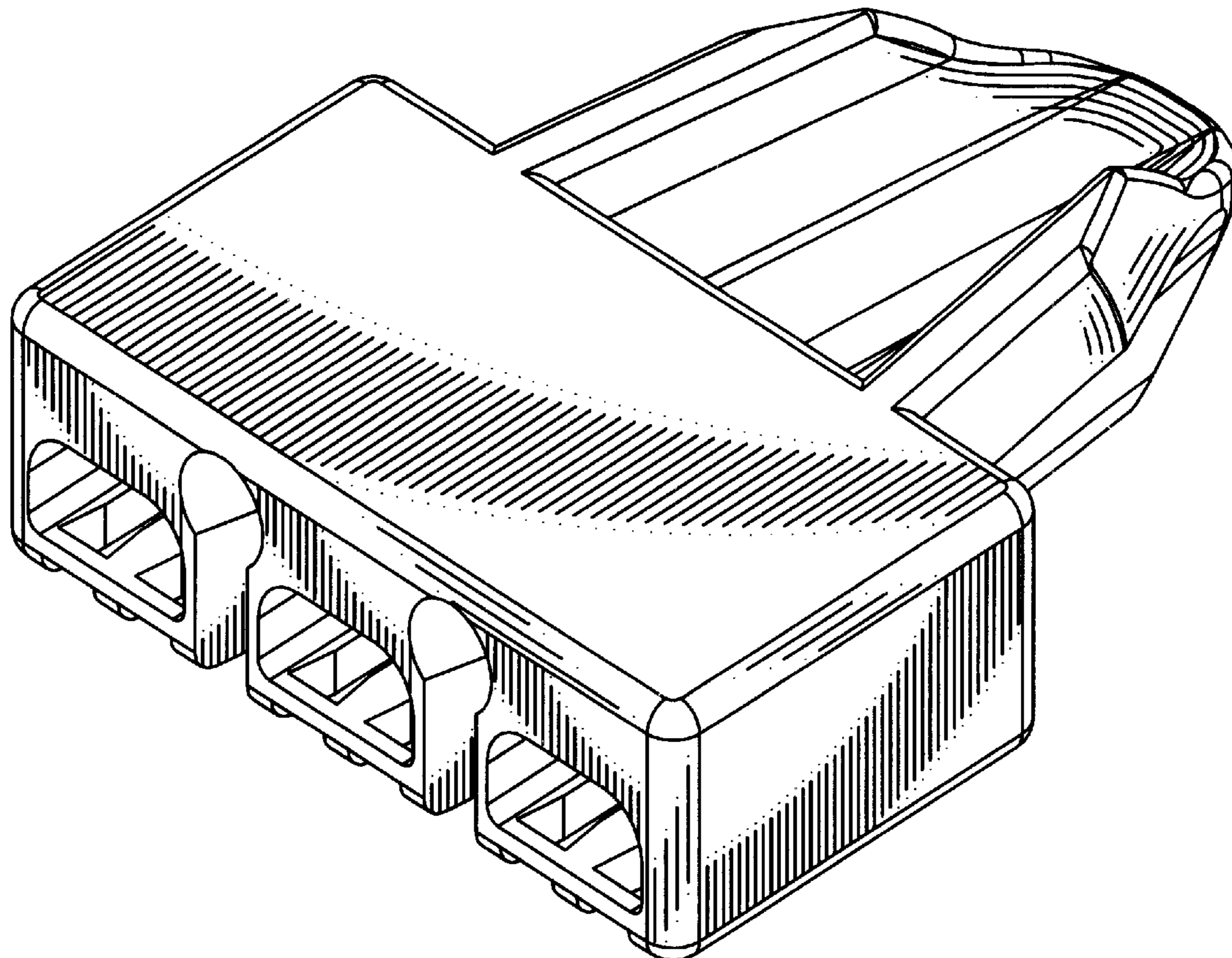
(57) **CLAIM**

The ornamental design for an inner sleeve of a net plug, as shown and as described.

**DESCRIPTION**

FIG. 1 is a perspective view showing an inner sleeve of a net plug of my new design;  
 FIG. 2 is a right side view thereof;  
 FIG. 3 is a top plan view thereof;  
 FIG. 4 is a front elevational view thereof;  
 FIG. 5 is a bottom plan view thereof;  
 FIG. 6 is a left side view thereof;  
 FIG. 7 is a rear elevational view thereof; and,  
 FIG. 8 is a perspective view showing a use state therefor.  
 The broken lines showing the net plug are included for the purpose of illustrating environmental structure only and form no part of the claimed design.

**1 Claim, 8 Drawing Sheets**



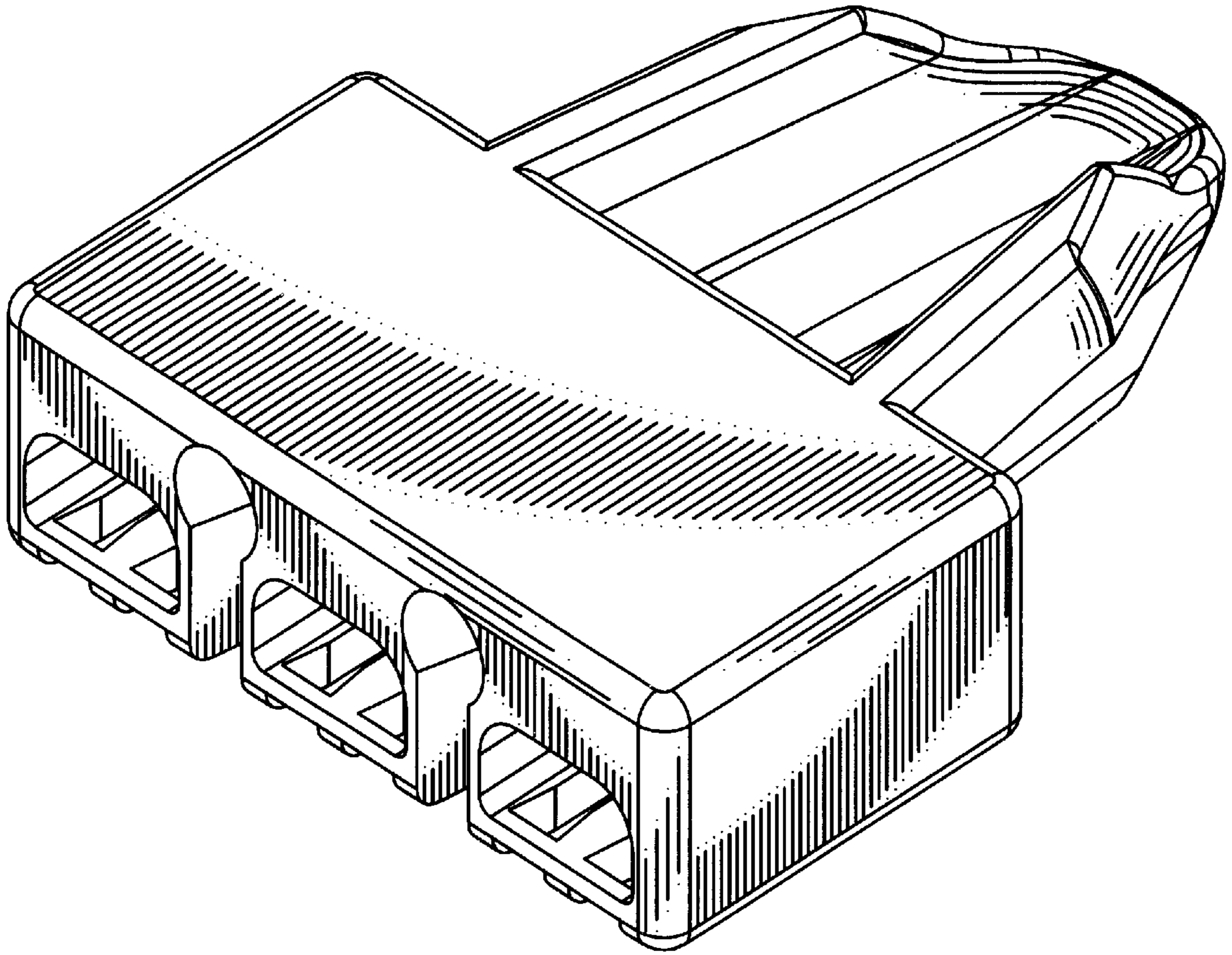


Fig. 1

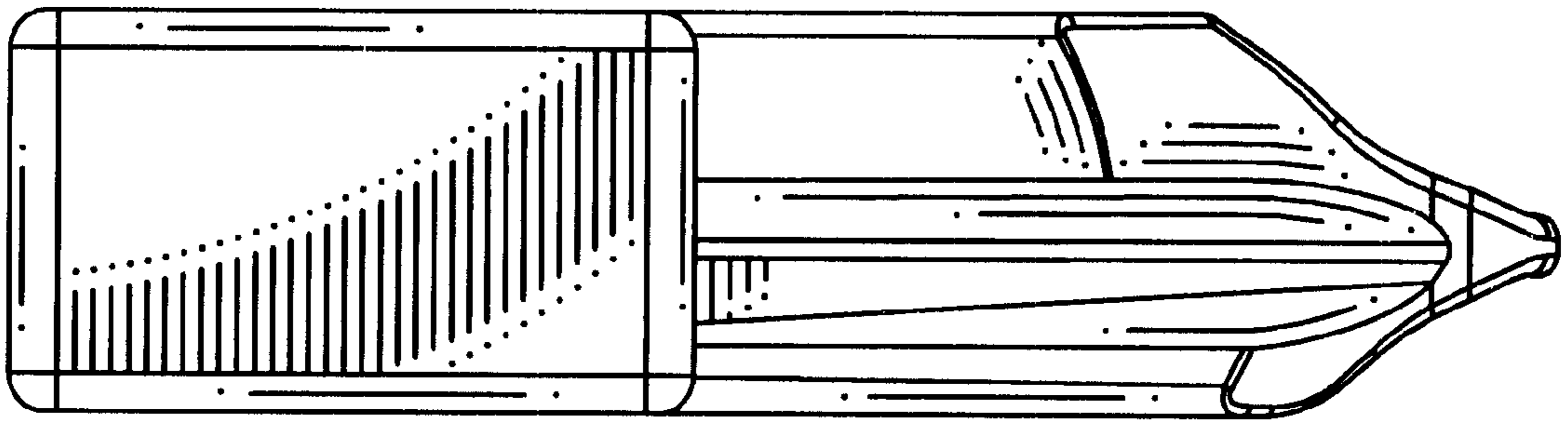


Fig. 2

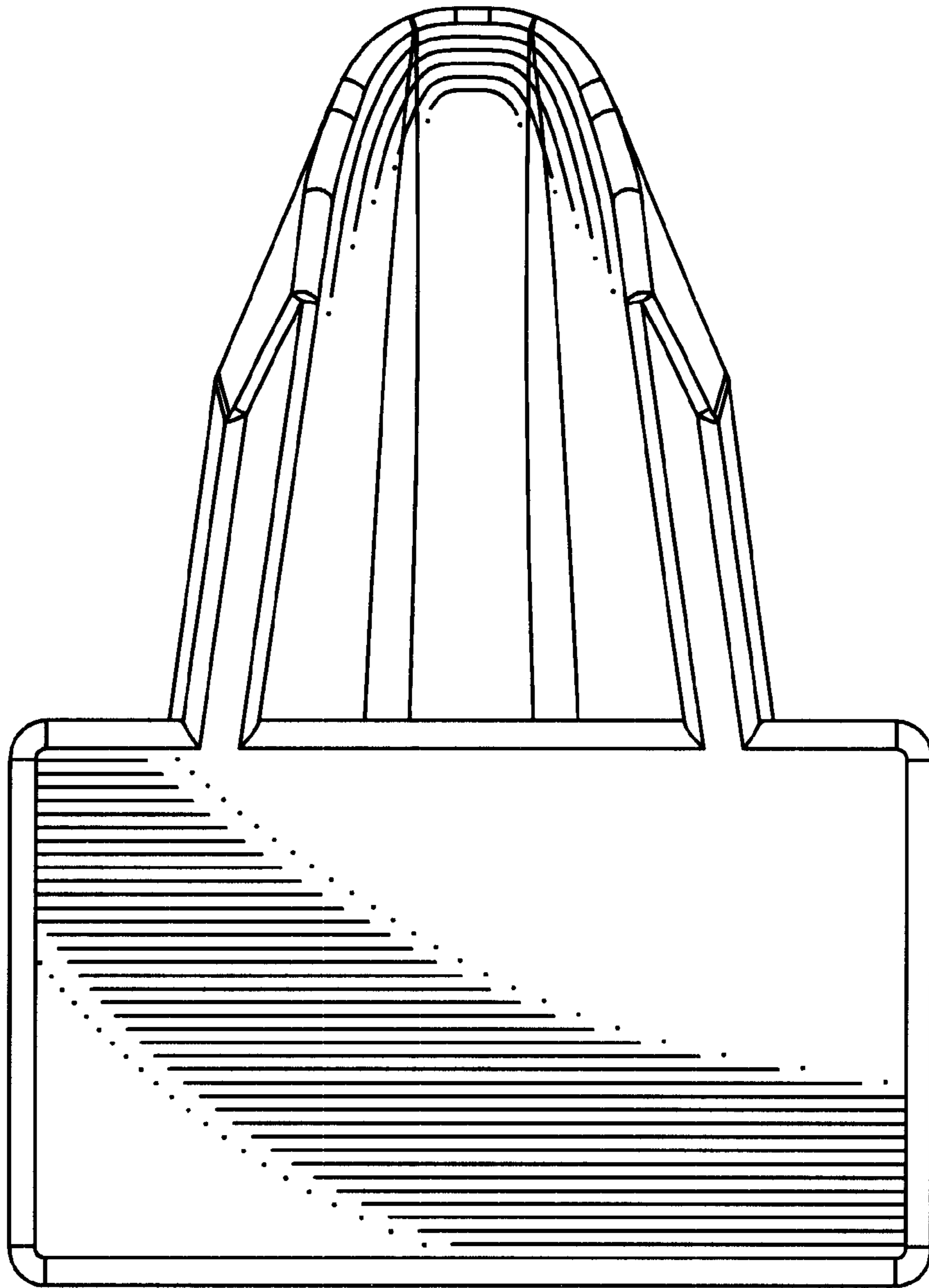


Fig. 3

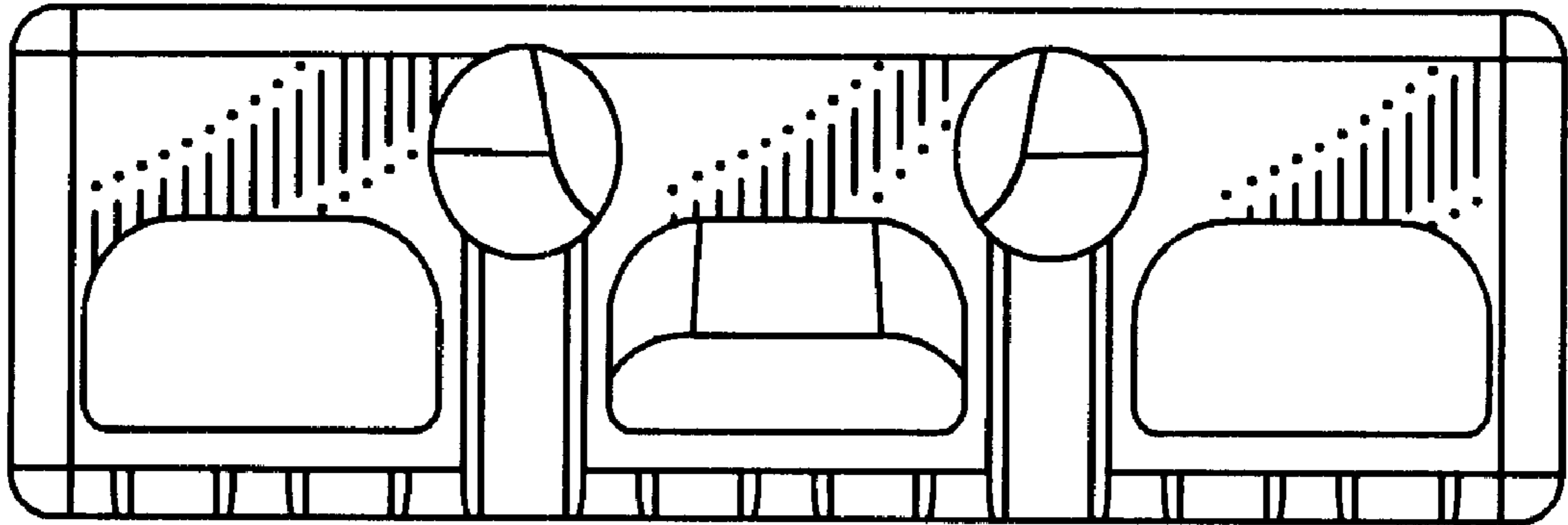


Fig. 4

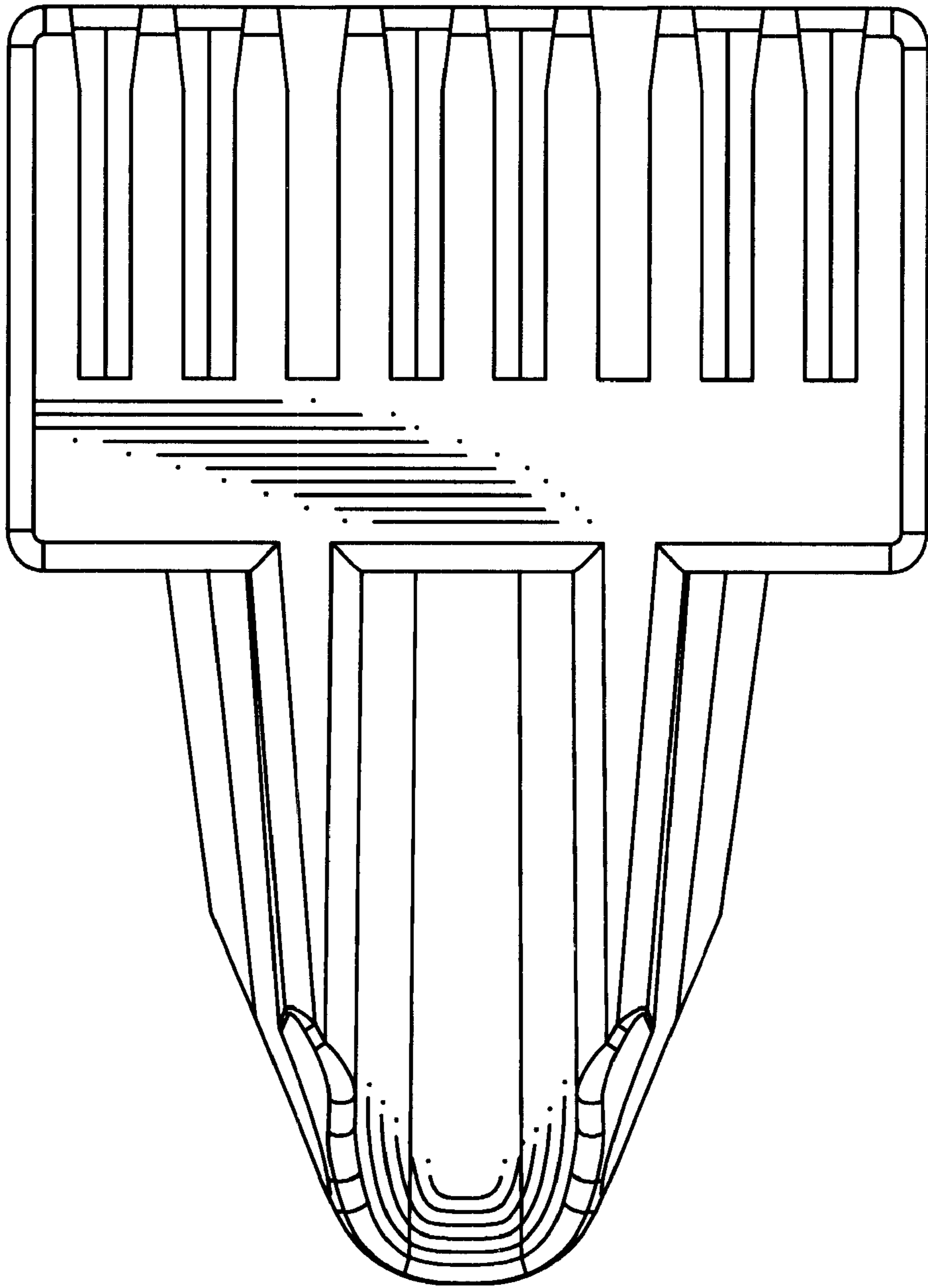


Fig. 5

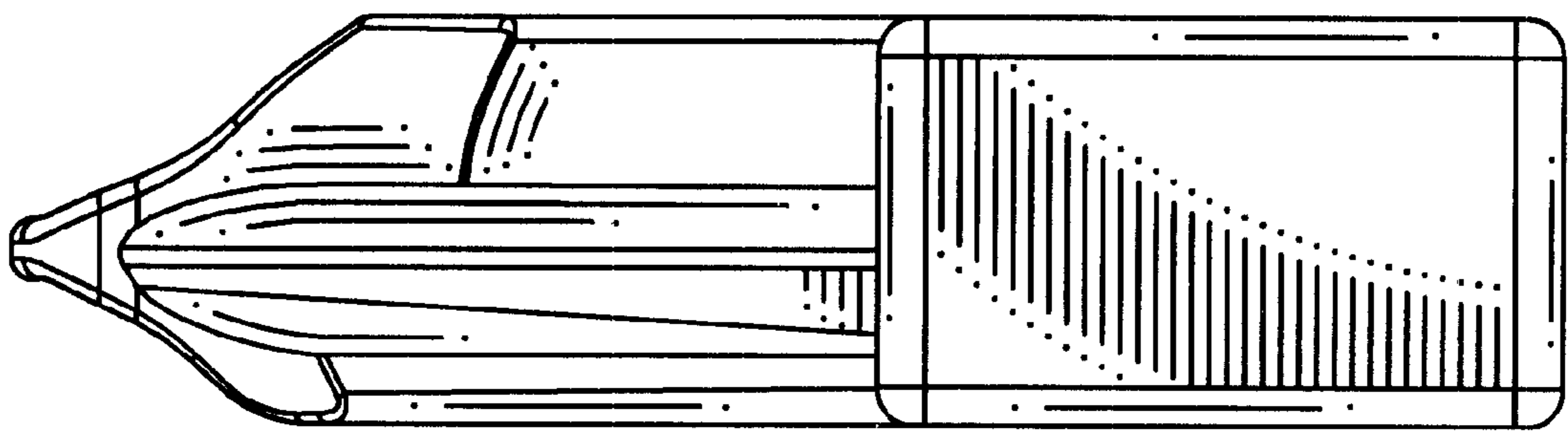


Fig. 6

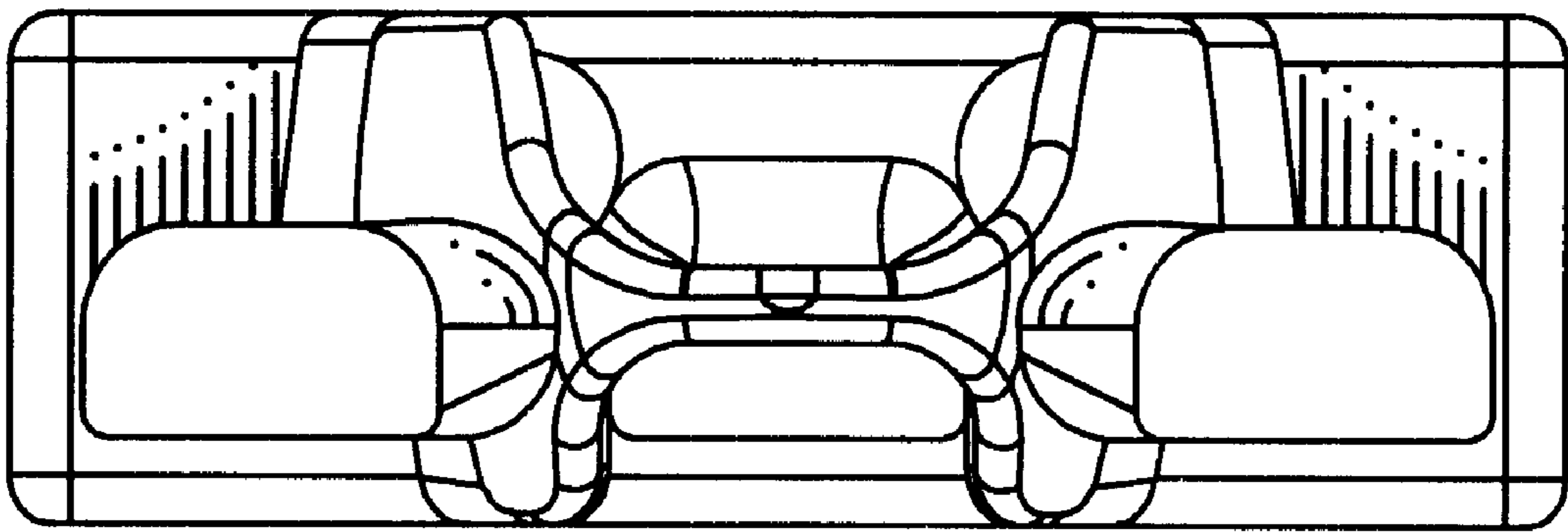


Fig. 7



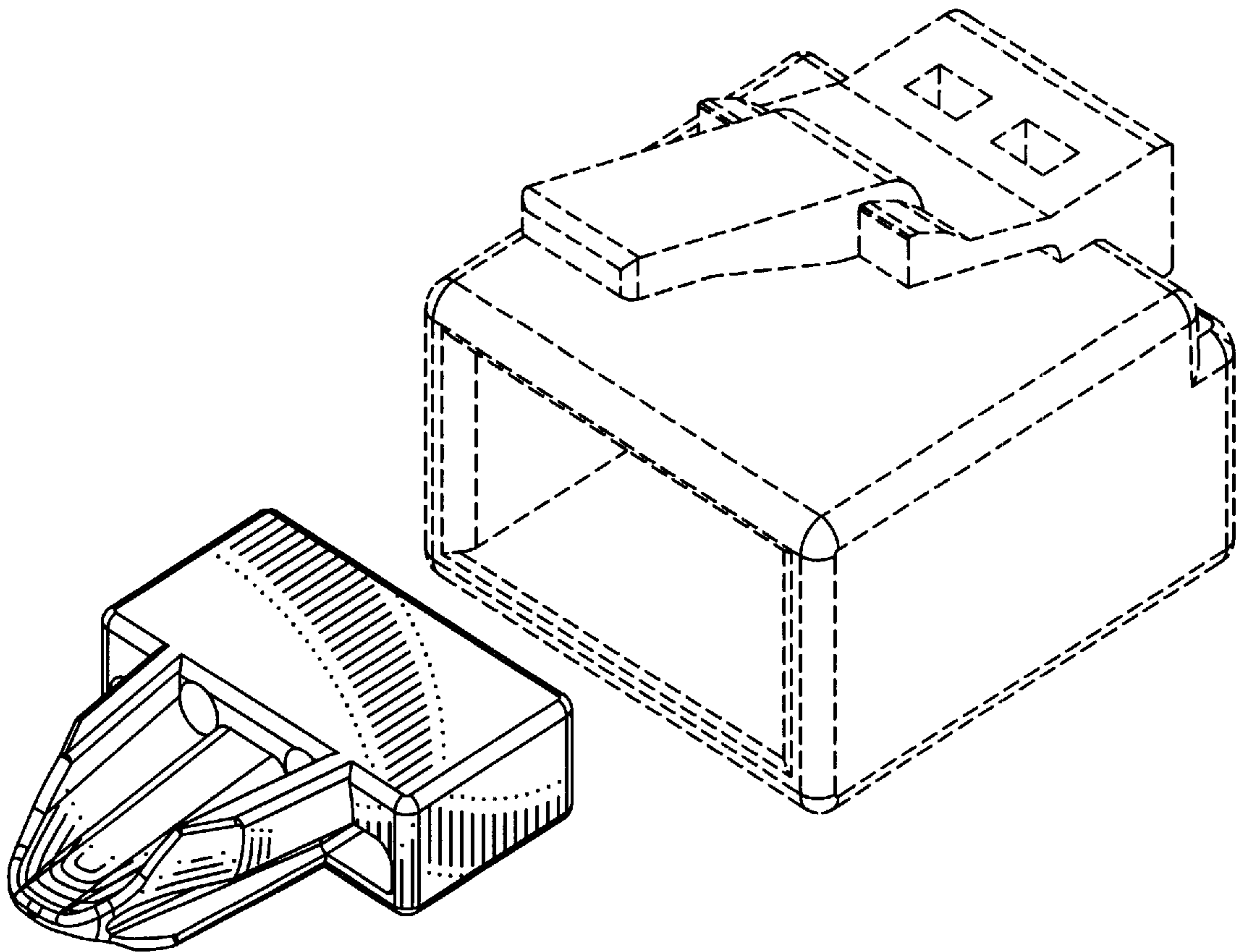


Fig. 8