



US00D478319S

(12) **United States Design Patent**  
**Yeh**

(10) **Patent No.:** **US D478,319 S**

(45) **Date of Patent:** **\*\* Aug. 12, 2003**

(54) **ELECTRICAL CONNECTOR**

(75) Inventor: **Joel Jyhaur Yeh**, San Gabrie, CA  
(US)

(73) Assignee: **Hon Hai Precision Ind. Co., Ltd.**,  
Taipei Hsien (TW)

(\*\*) Term: **14 Years**

(21) Appl. No.: **29/164,252**

(22) Filed: **Jul. 18, 2002**

(51) **LOC (7) Cl.** ..... **13-03**

(52) **U.S. Cl.** ..... **D13/147**

(58) **Field of Search** ..... D13/146, 147,  
D13/154; 439/354, 357, 358, 540.1, 541.5,  
638, 650, 656, 607, 610

(56) **References Cited**

**U.S. PATENT DOCUMENTS**

5,273,459 A \* 12/1993 Davis ..... 439/607  
D411,174 S \* 6/1999 Huang ..... D13/147  
D414,161 S \* 9/1999 Huang ..... D13/147

6,012,950 A \* 1/2000 Vanbesien ..... 439/610

6,027,375 A \* 2/2000 Wu ..... 439/607

D421,420 S \* 3/2000 Wu ..... D13/147

D431,024 S \* 9/2000 Lok ..... D13/147

6,196,874 B1 \* 3/2001 Wu ..... 439/607

\* cited by examiner

*Primary Examiner*—Joel Sincavage

(74) *Attorney, Agent, or Firm*—WeiTe Chung

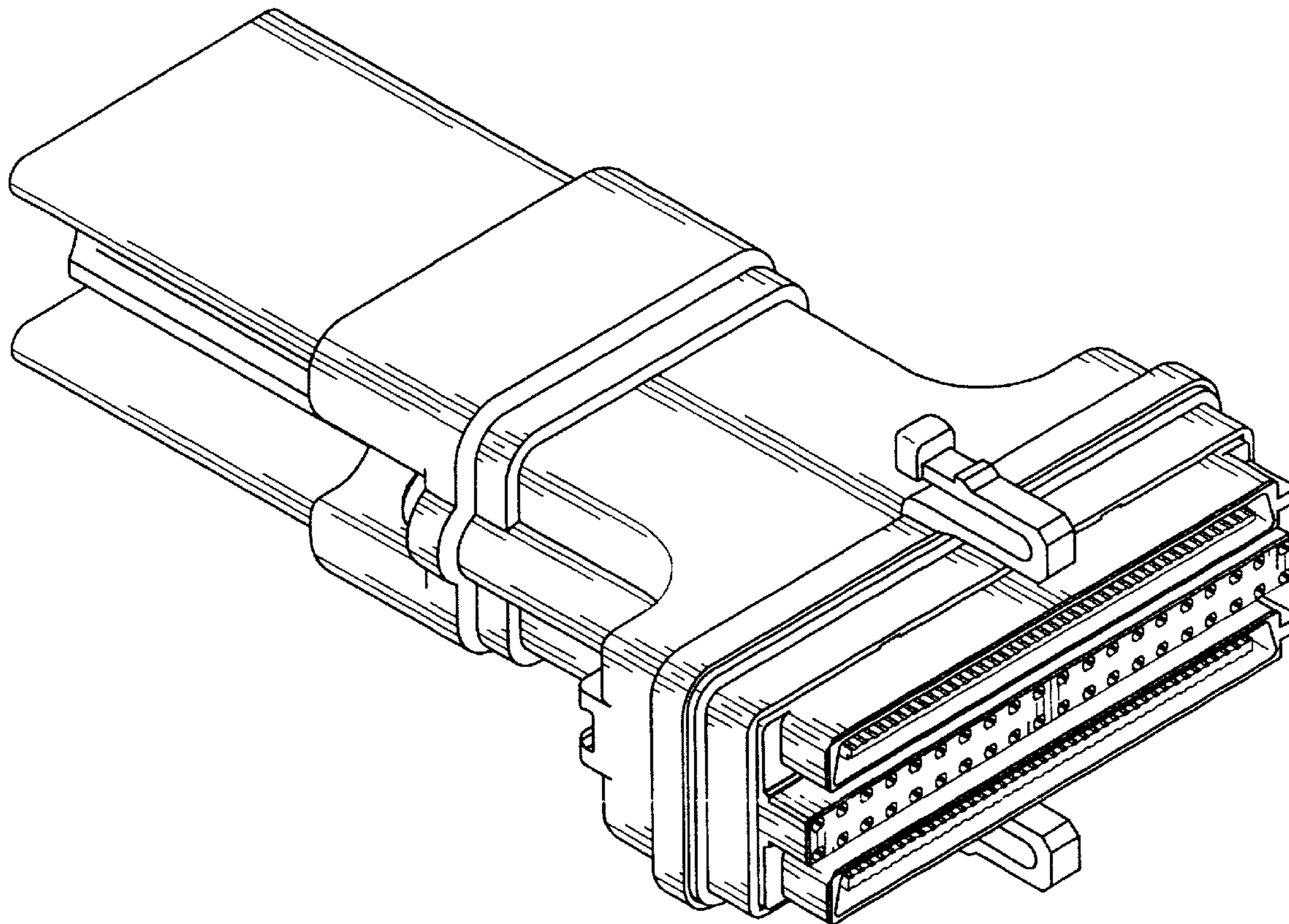
(57) **CLAIM**

The ornamental design for an electrical connector, as shown.

**DESCRIPTION**

FIG. 1 is a front, top and left side perspective view of an electrical connector showing my new design;  
FIG. 2 is a front elevational view thereof;  
FIG. 3 is a rear elevational view thereof;  
FIG. 4 is a left side elevational view thereof;  
FIG. 5 is a right side elevational view thereof;  
FIG. 6 is a top plan view thereof; and,  
FIG. 7 is a bottom plan view thereof.

**1 Claim, 6 Drawing Sheets**



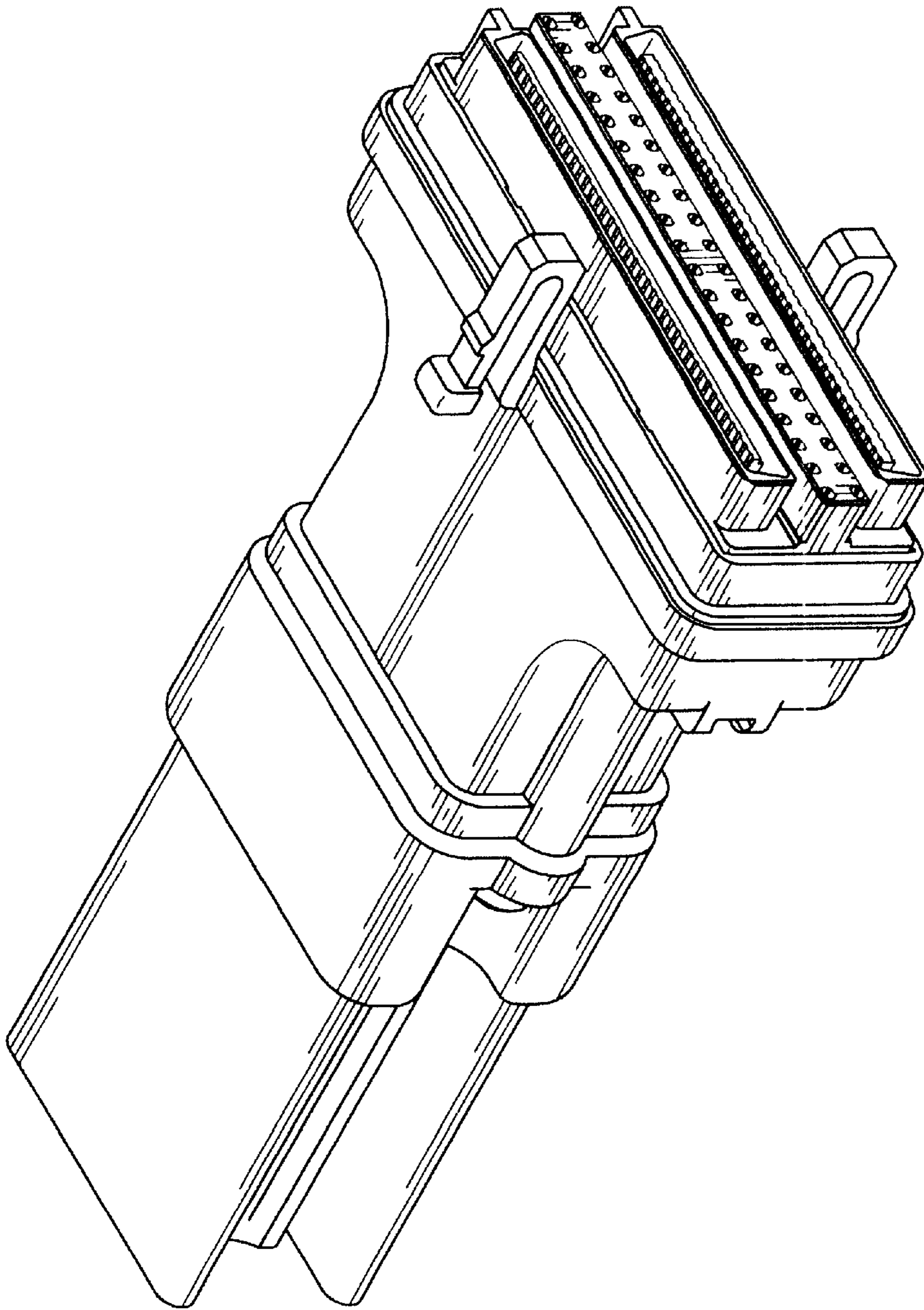


FIG. 1

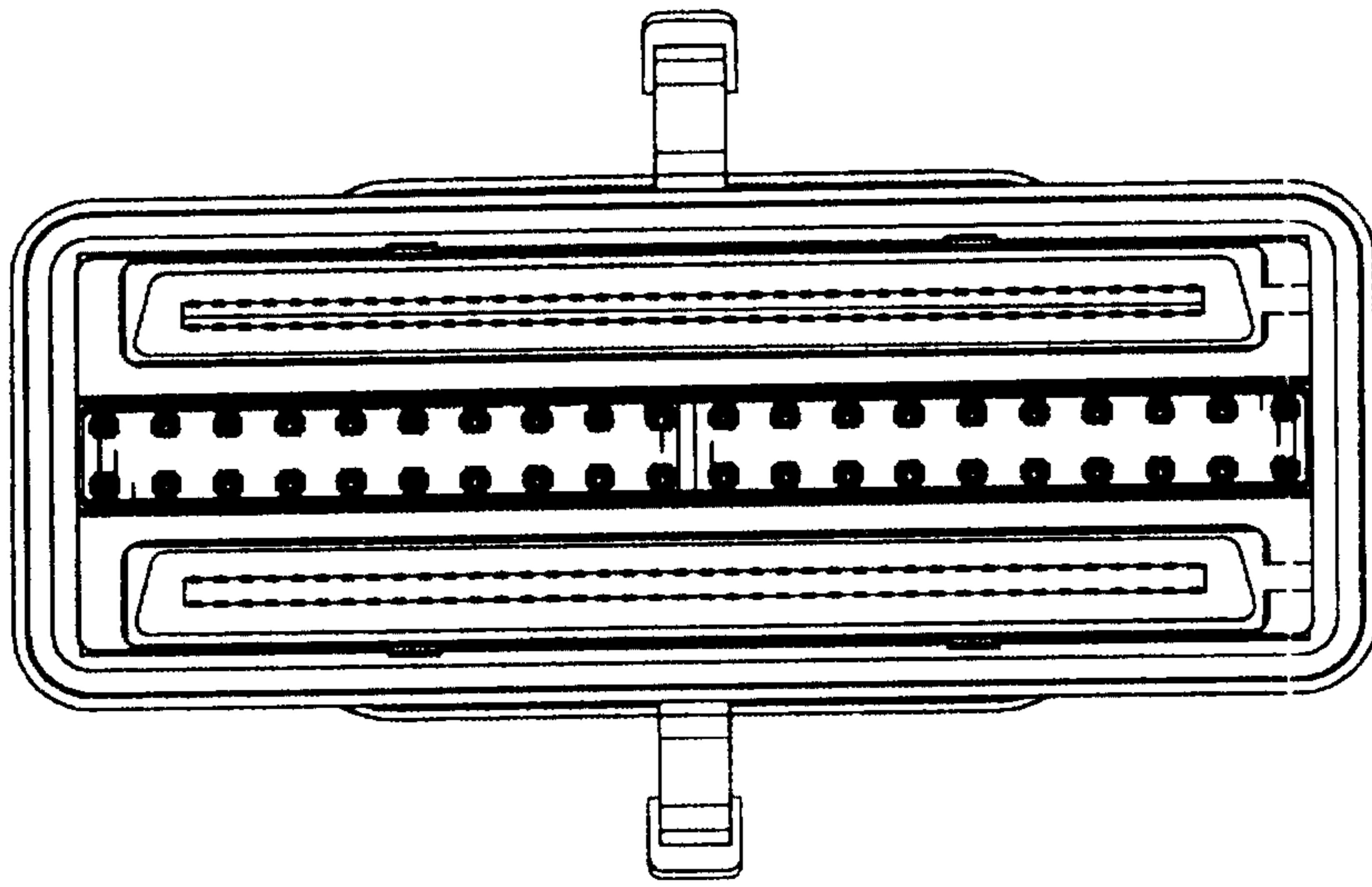


FIG. 2

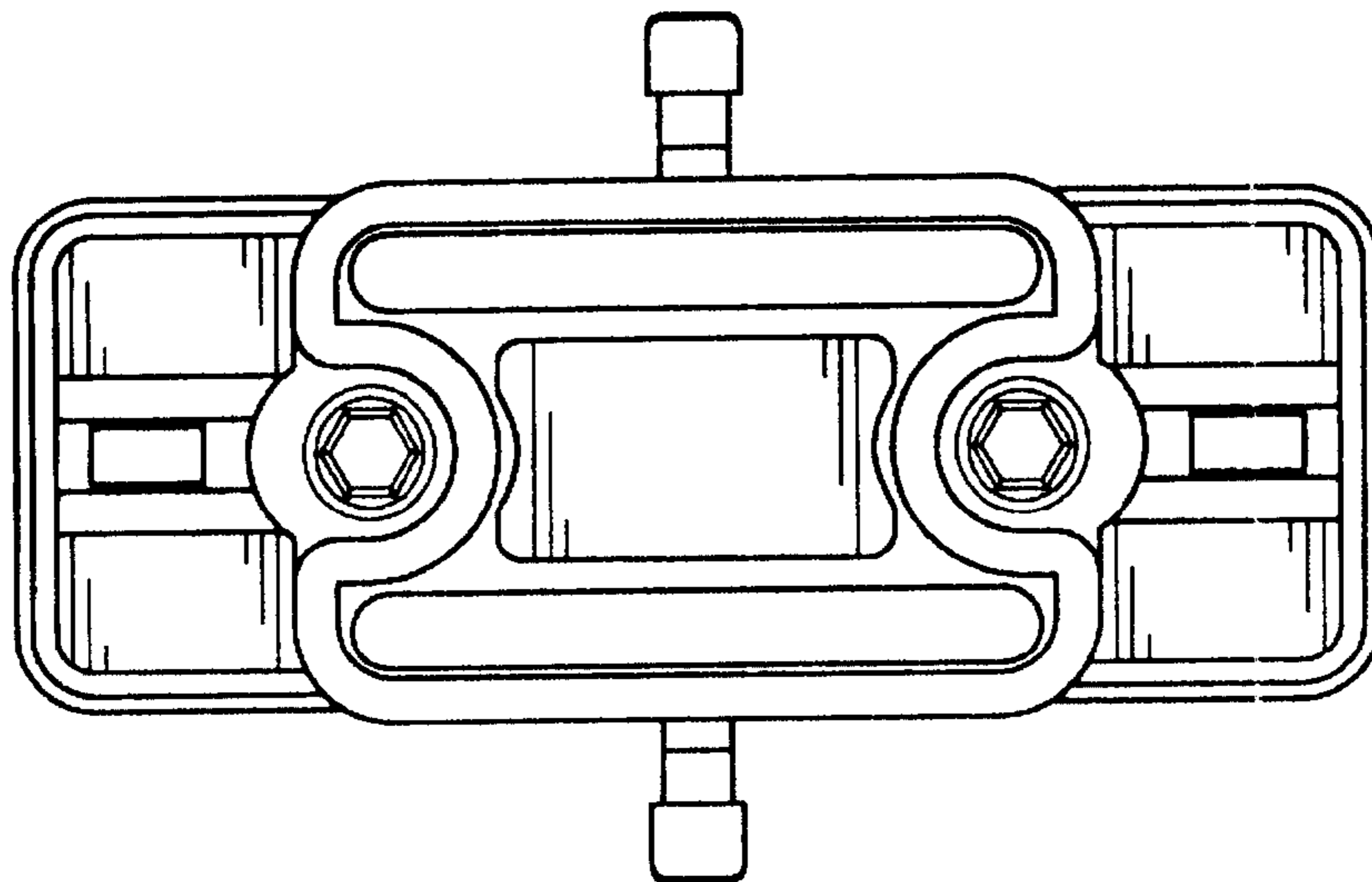


FIG. 3

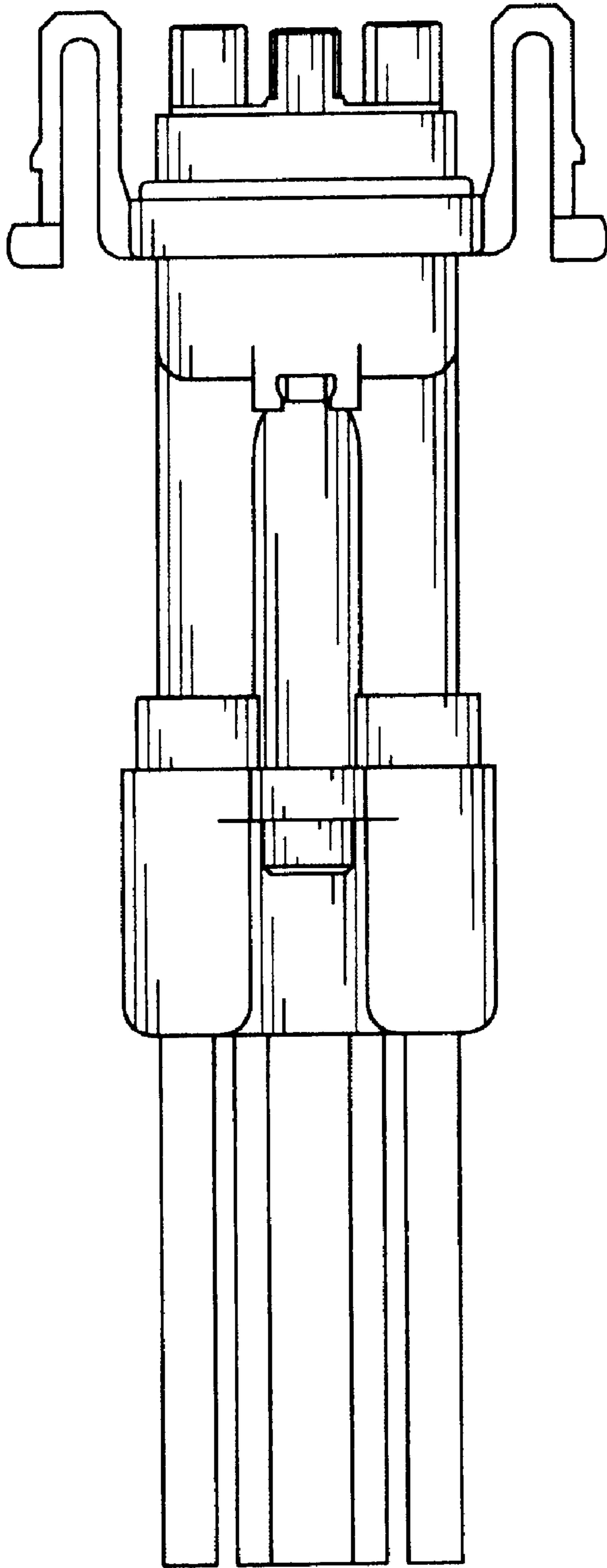


FIG. 4

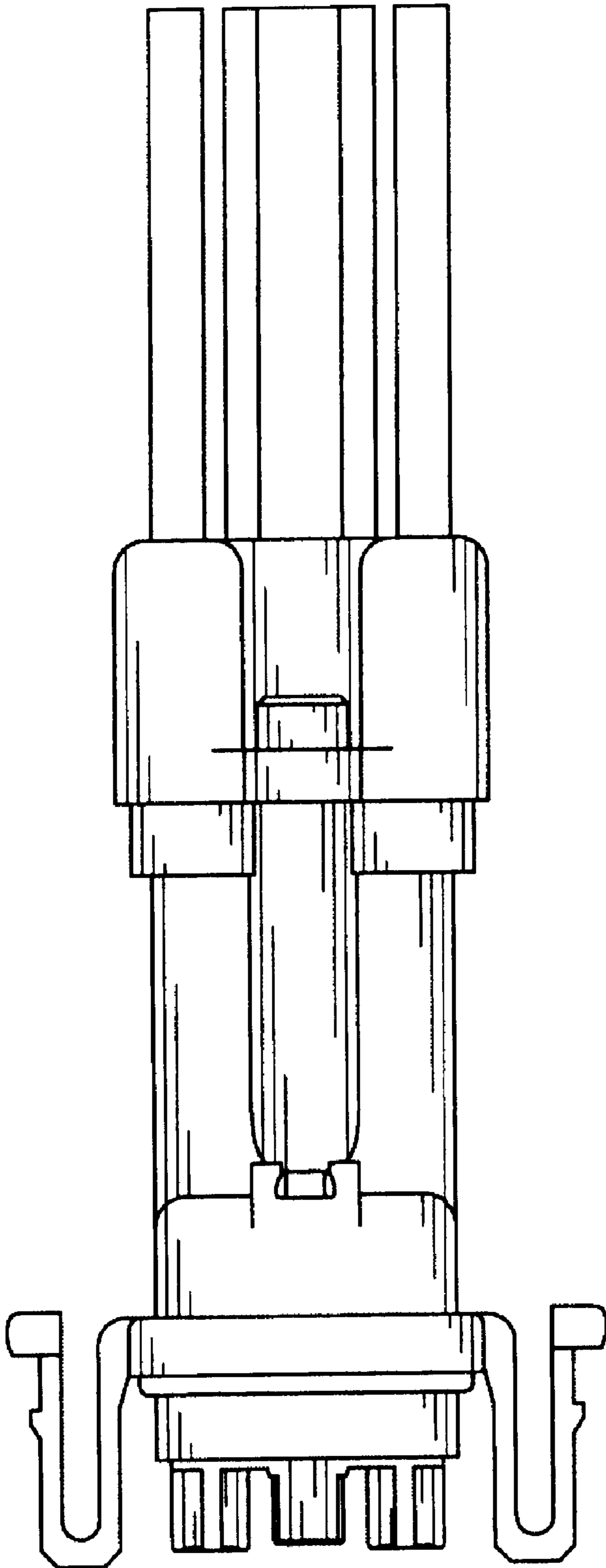


FIG. 5

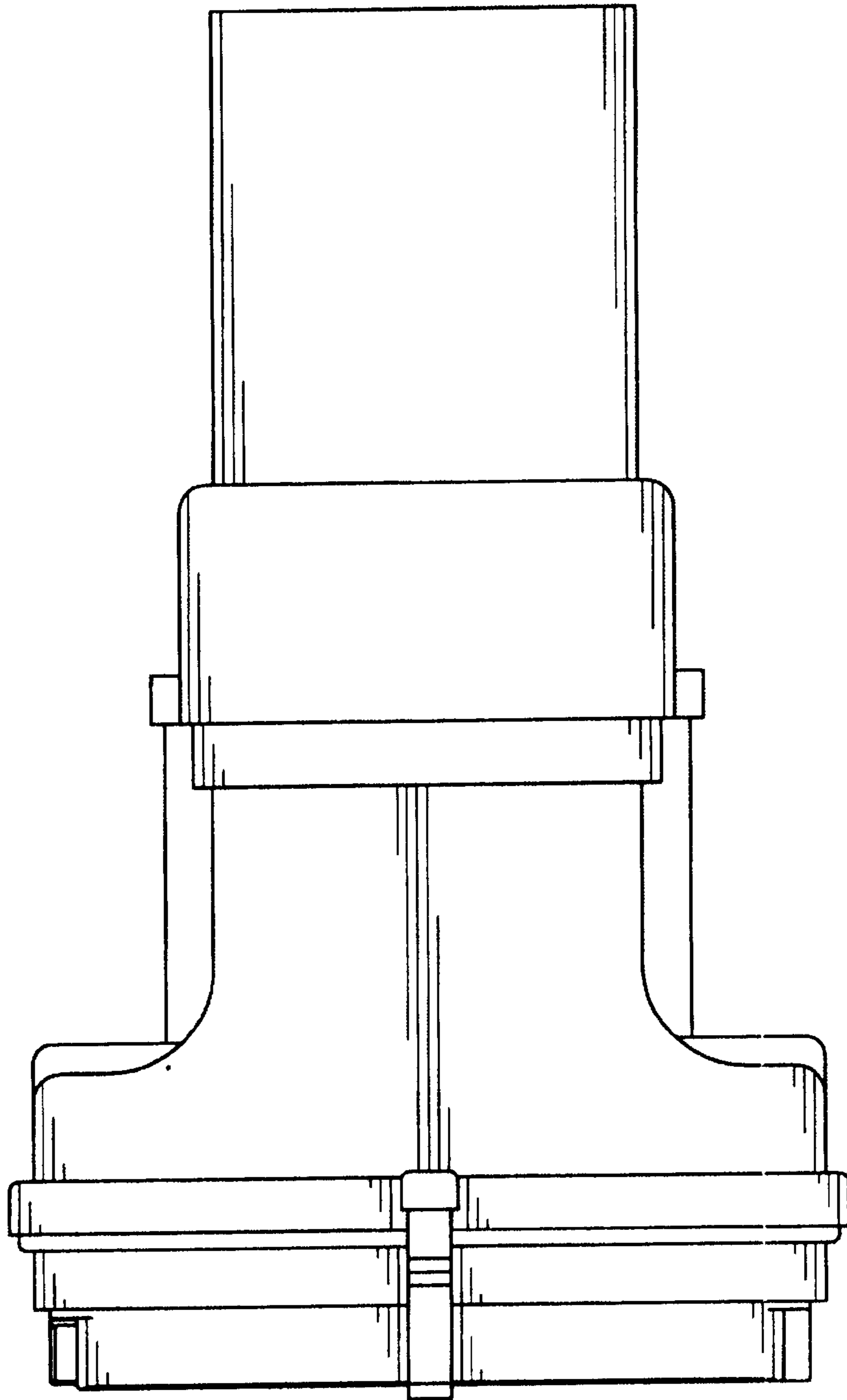


FIG. 6

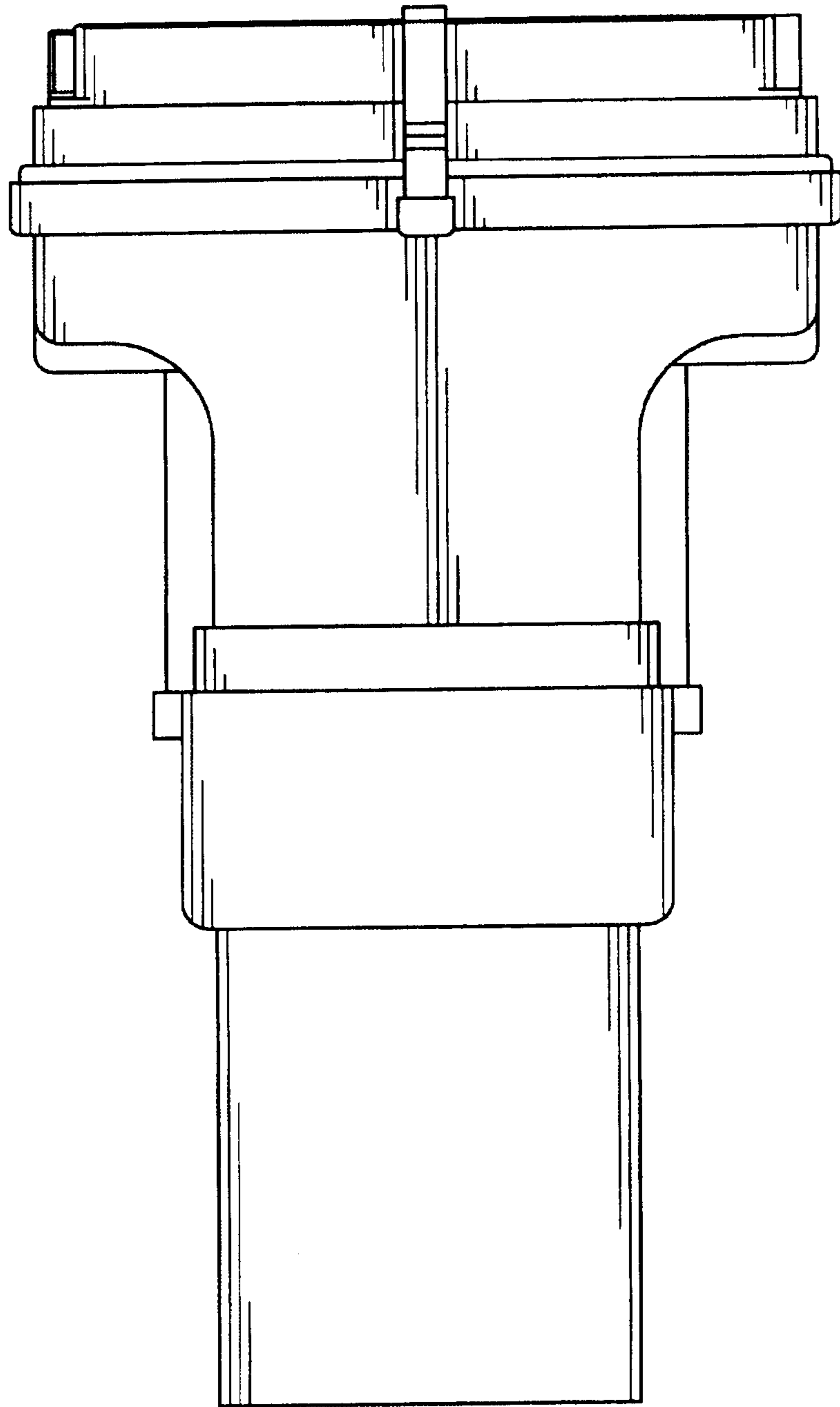


FIG. 7