



US00D478318S

(12) **United States Design Patent**  
**Burwell et al.**

(10) **Patent No.:** **US D478,318 S**

(45) **Date of Patent:** **\*\* Aug. 12, 2003**

(54) **THREE POLE CONNECTOR**

D420,328 S \* 2/2000 Burwell et al. .... D13/146  
D428,853 S \* 8/2000 Burwell et al. .... D13/146

(75) Inventors: **John W. Burwell**, Rome City, IN (US);  
**Phillip McCoy**, Albion, IN (US); **Scott A. Garver**, Fort Wayne, IN (US);  
**David L. Kinnison**, Wawaka, IN (US)

\* cited by examiner

*Primary Examiner*—Joel Sincavage  
(74) *Attorney, Agent, or Firm*—Taylor & Aust, P.C.

(73) Assignee: **Lyall Assemblies, Inc.**, Albion, IN (US)

(57) **CLAIM**

(\*\*) Term: **14 Years**

The ornamental design for a three pole connector, as shown and described.

(21) Appl. No.: **29/168,687**

**DESCRIPTION**

(22) Filed: **Oct. 7, 2002**

(51) **LOC (7) Cl.** ..... **13-03**

(52) **U.S. Cl.** ..... **D13/146; D13/156**

(58) **Field of Search** ..... D13/146, 147,  
D13/156; 439/135, 136, 142, 188, 521

FIG. 1 is a perspective view of a three pole connector showing our new design;

FIG. 2 is a side view thereof, the opposite side view being a mirror image;

FIG. 3 is a bottom view thereof;

FIG. 4 is an end view thereof;

FIG. 5 is an opposite end view thereof;

FIG. 6 is a top view thereof; and,

FIG. 7 is an exploded perspective view thereof.

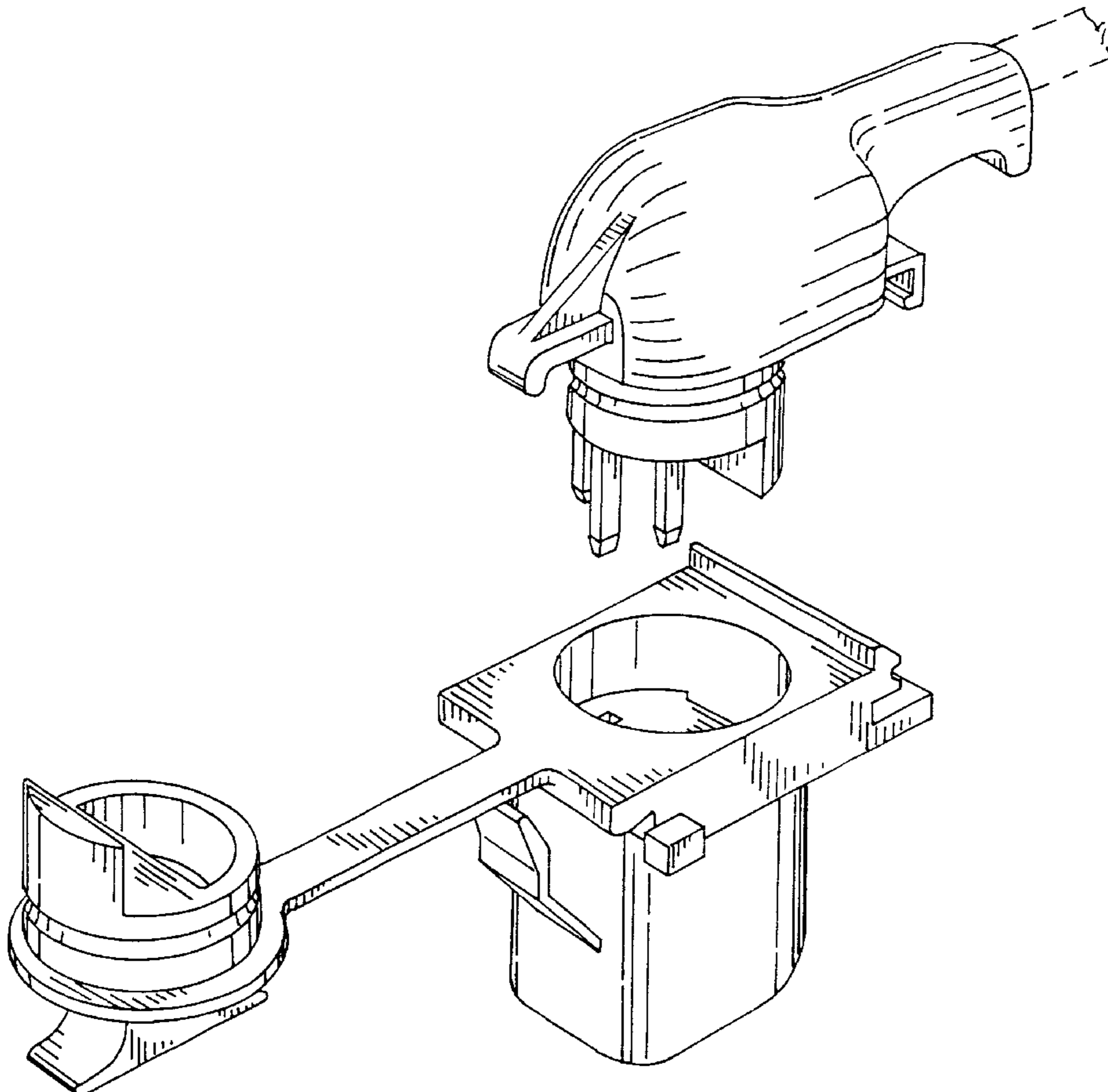
The broken lines in FIGS. 2-7 are included for the purpose of illustrating environmental structure only and form no part of the claimed design.

(56) **References Cited**

**U.S. PATENT DOCUMENTS**

4,829,223 A \* 5/1989 Broberg et al. .... 320/105  
5,275,575 A \* 1/1994 Cahaly et al. .... 439/680 X  
5,314,345 A \* 5/1994 Cahaly et al. .... 439/188  
D348,650 S \* 7/1994 Julian ..... D13/133  
5,573,412 A \* 11/1996 Anthony ..... 439/135 X  
5,626,489 A \* 5/1997 Marshall et al. .... 439/402

**1 Claim, 4 Drawing Sheets**



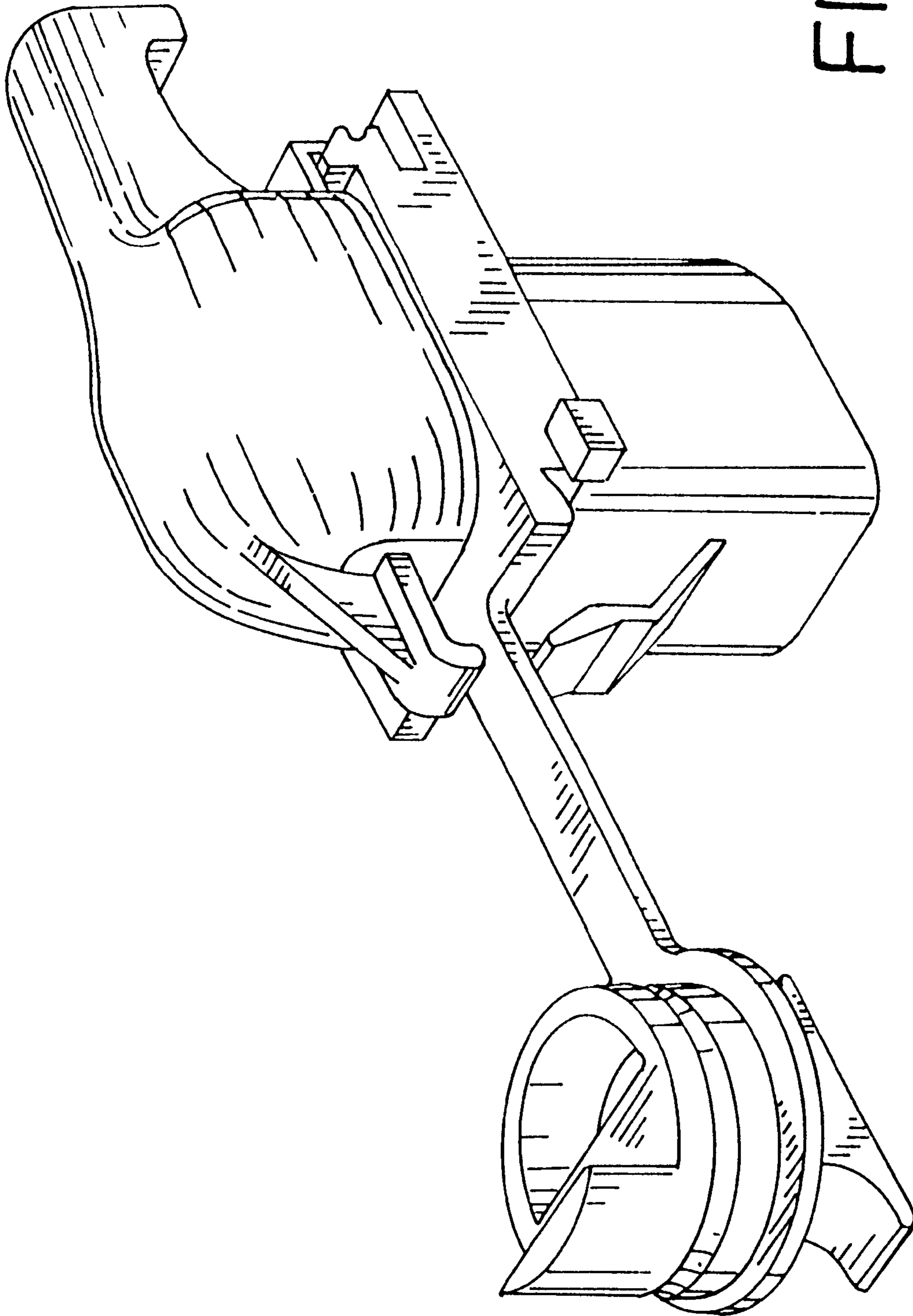


FIG. 1

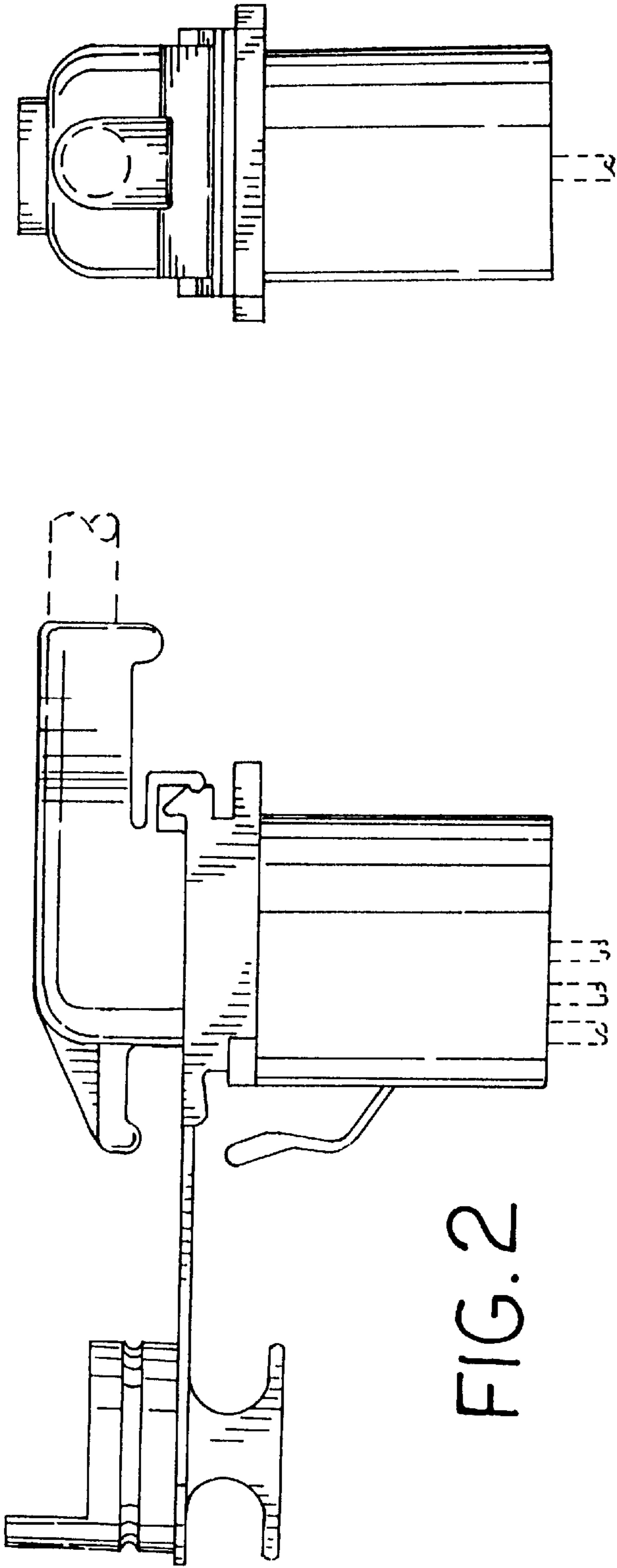


FIG. 2

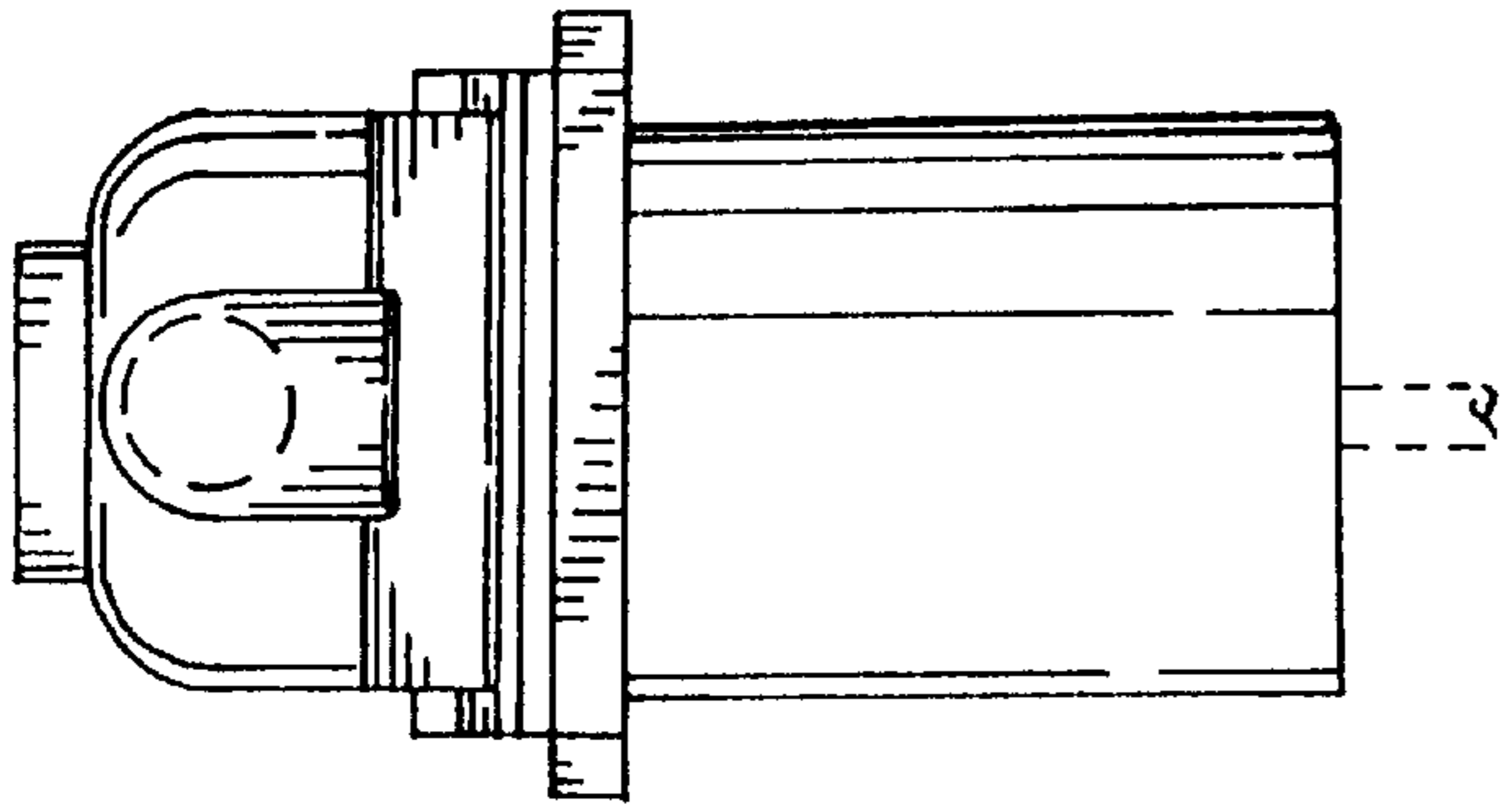


FIG. 4

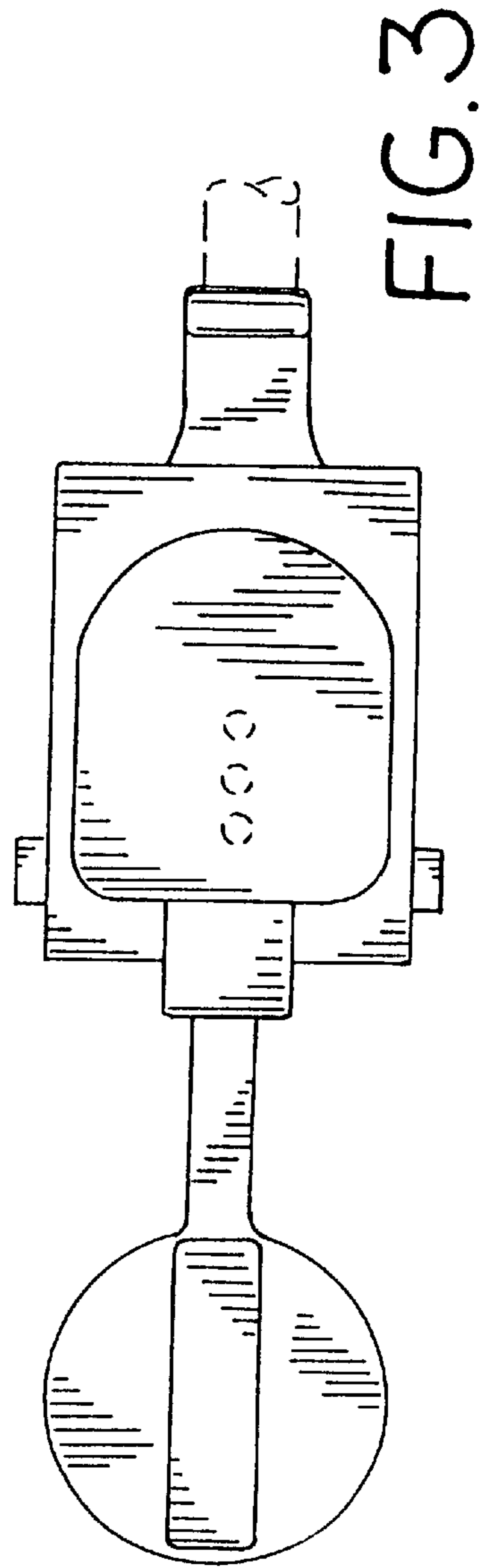


FIG. 3

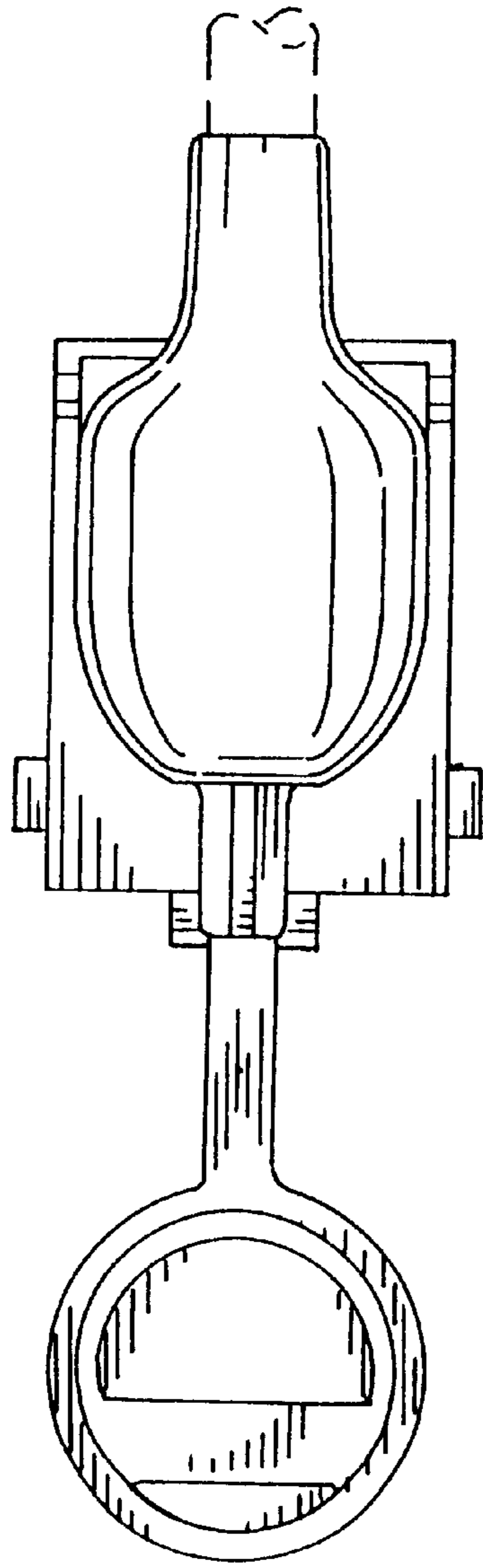


FIG. 6

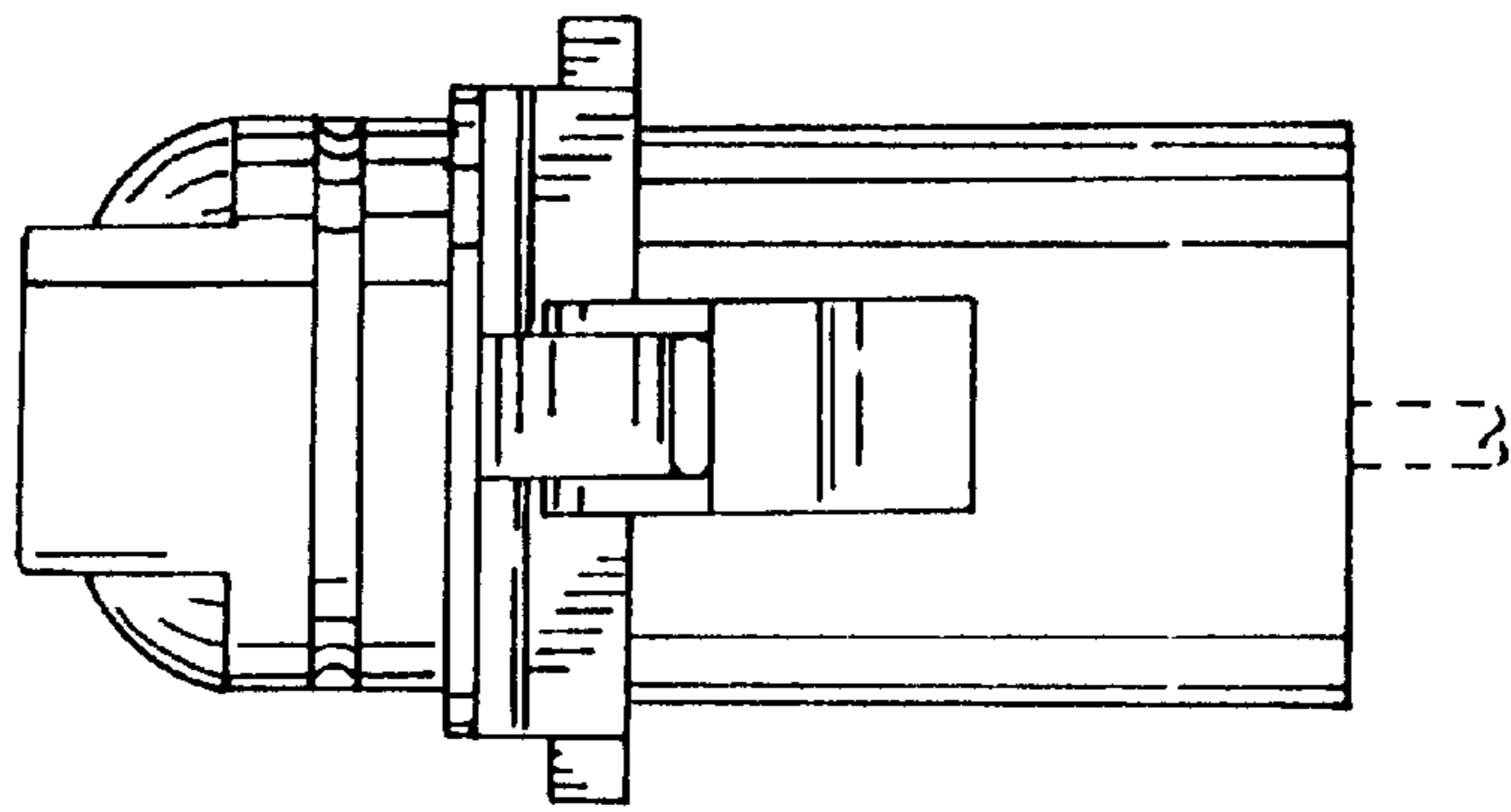


FIG. 5

