



US00D478317S

(12) **United States Design Patent**
Harper et al.

(10) **Patent No.:** **US D478,317 S**

(45) **Date of Patent:** **** Aug. 12, 2003**

(54) **ELECTRICAL TERMINAL**

(75) Inventors: **Donald A. Harper**, Hudson, IN (US);
Bradley W. Plattner, Kendallville, IN (US)

(73) Assignee: **Pent Assemblies, Inc.**, Kendallville, IN (US)

(**) Term: **14 Years**

(21) Appl. No.: **29/167,518**

(22) Filed: **Sep. 16, 2002**

(51) **LOC (7) Cl.** **13-03**

(52) **U.S. Cl.** **D13/146; D13/148**

(58) **Field of Search** D13/133, 146,
D13/147, 148; 439/215, 650, 845, 849,
850, 907

(56) **References Cited**

U.S. PATENT DOCUMENTS

- 3,263,202 A * 7/1966 Dean et al. 439/907 X
- 5,171,159 A * 12/1992 Byrne 439/215
- 6,010,366 A * 1/2000 Tanigawa et al. 439/907 X

- 6,267,613 B1 * 7/2001 McCoy et al. 439/281
- 6,471,532 B2 * 10/2002 Kondas et al. 439/281

* cited by examiner

Primary Examiner—Joel Sincavage

(74) *Attorney, Agent, or Firm*—Taylor & Aust, P.C.

(57) **CLAIM**

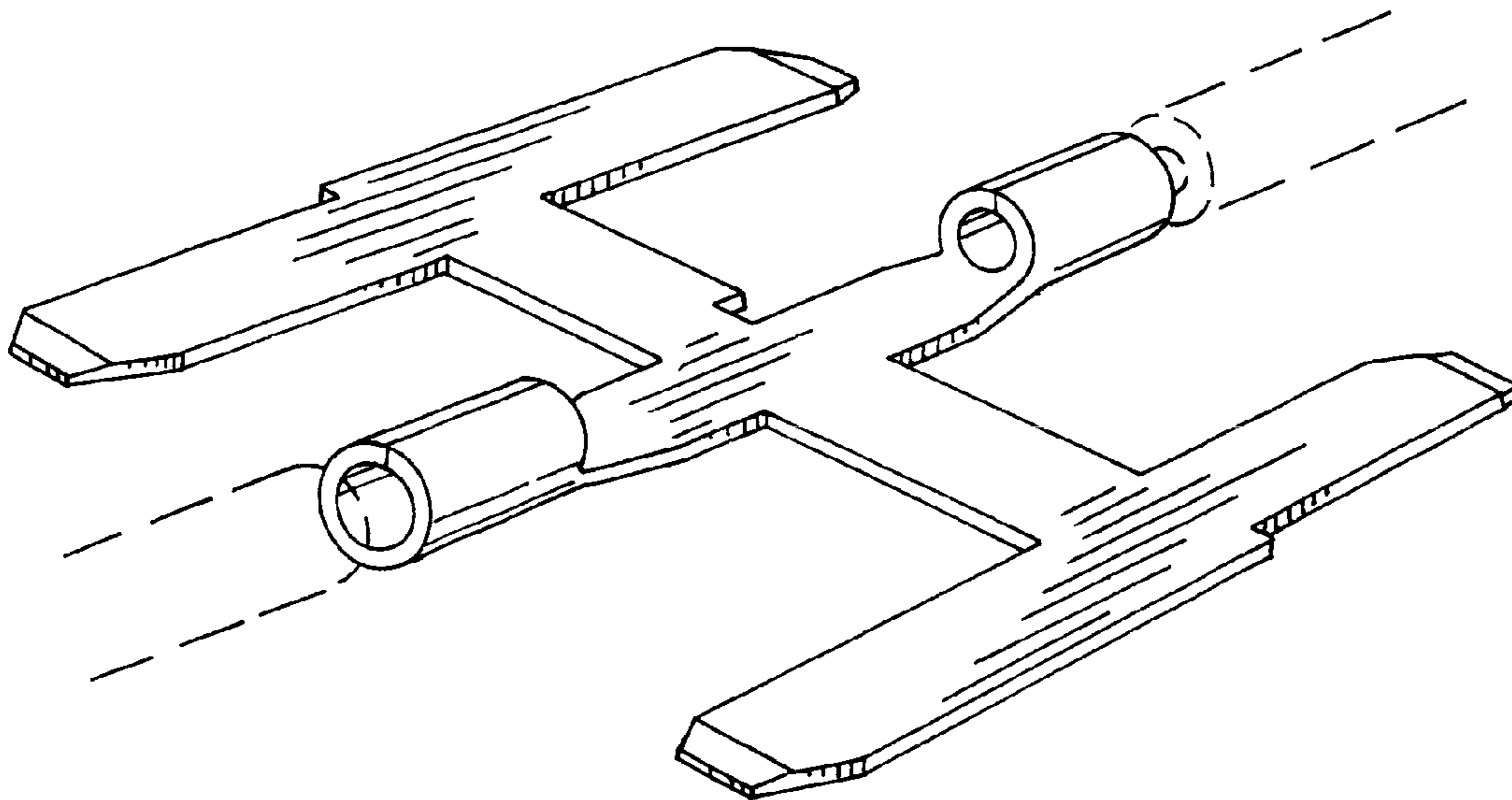
The ornamental design for an electrical terminal, as shown and described.

DESCRIPTION

FIG. 1 is a perspective view of an electrical terminal showing our new design; FIG. 2 is a top view thereof; FIG. 3 is a bottom view thereof; FIG. 4 is an end view thereof; FIG. 5 is an opposite end view thereof; and, FIG. 6 is a side view thereof, the opposite side view being identical.

The broken lines in FIG. 1 are included for the purpose of illustrating enviromental structure only and form no part of the claimed design.

1 Claim, 3 Drawing Sheets



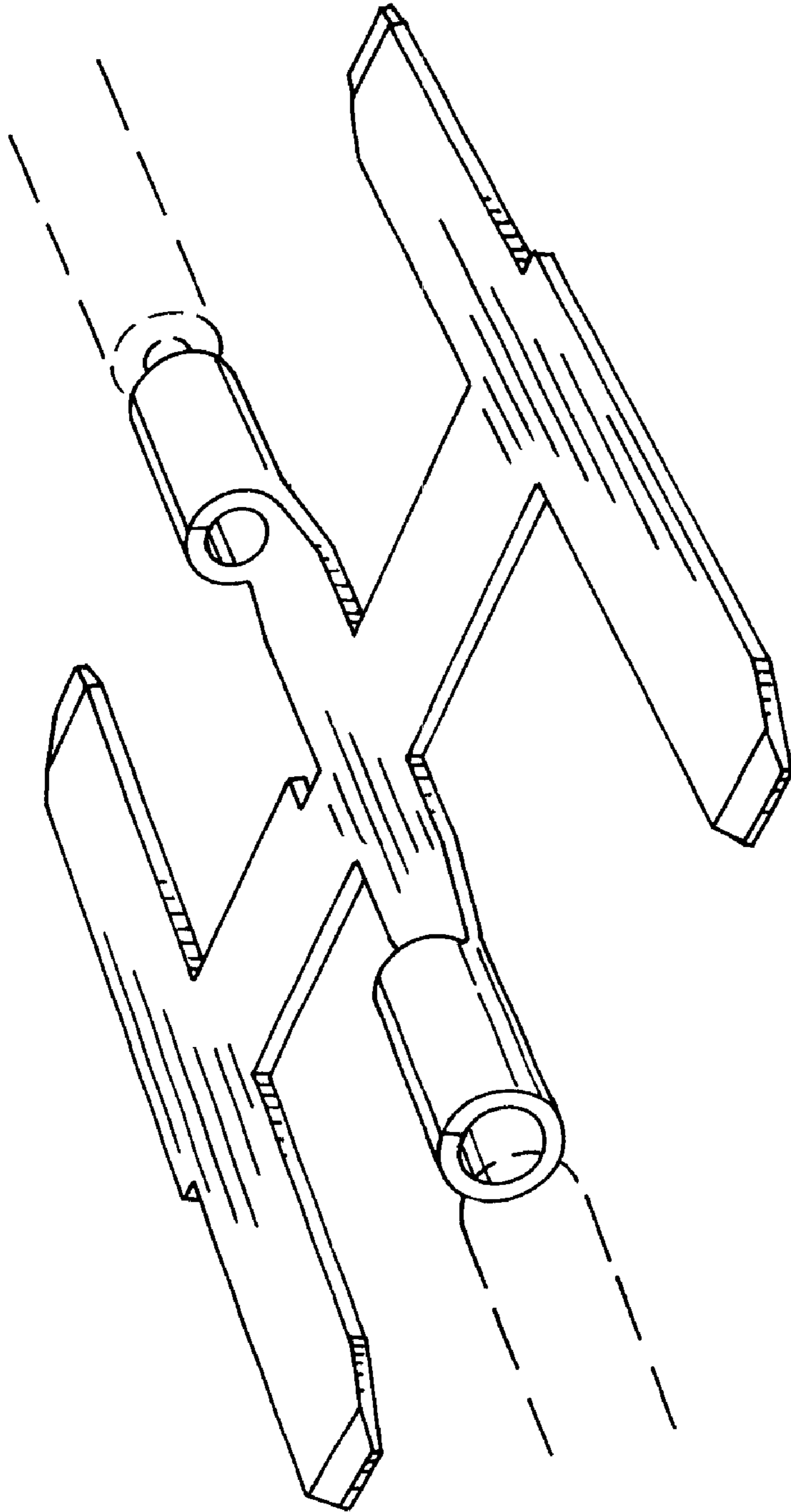


FIG. 1

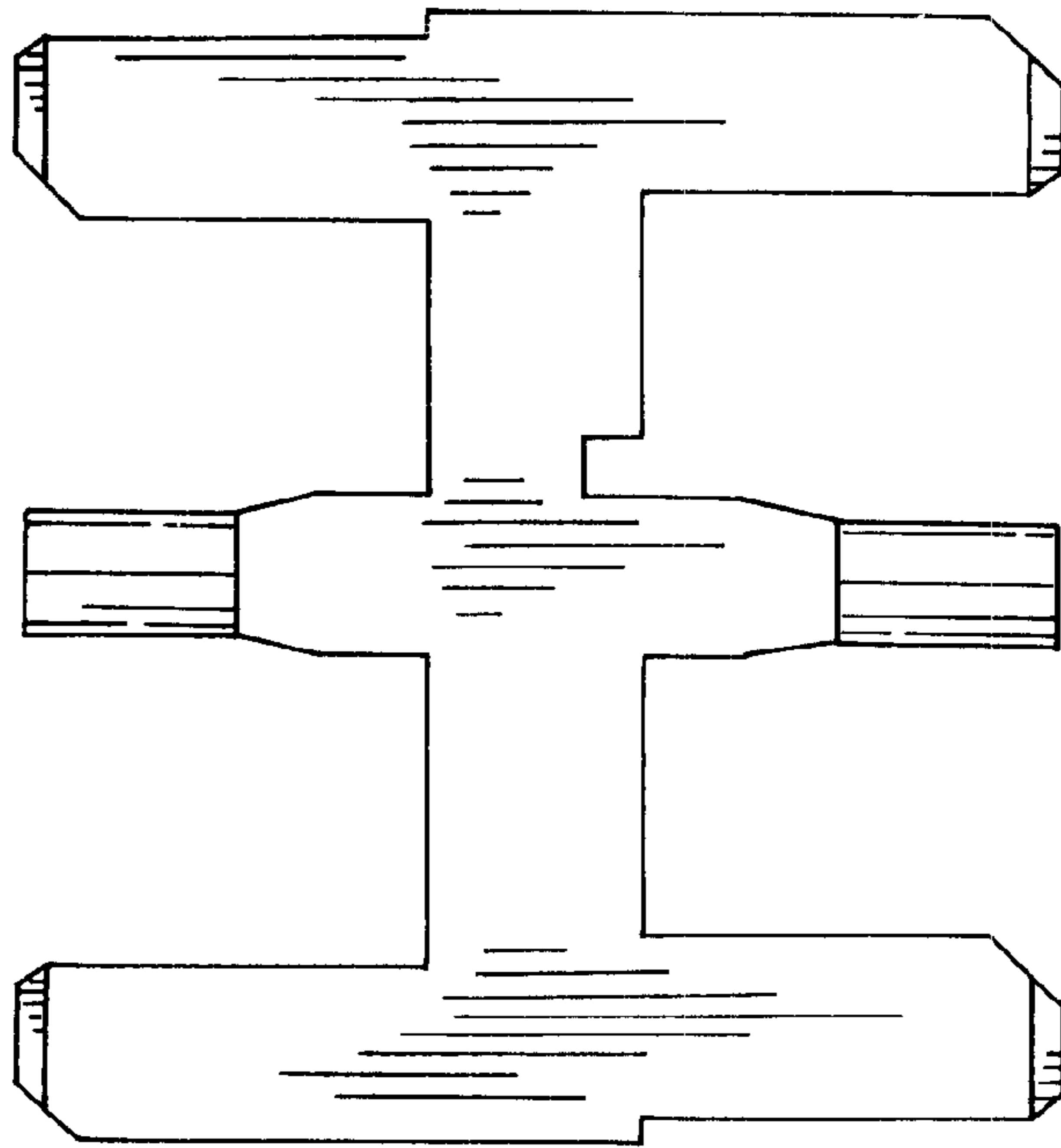


FIG. 2

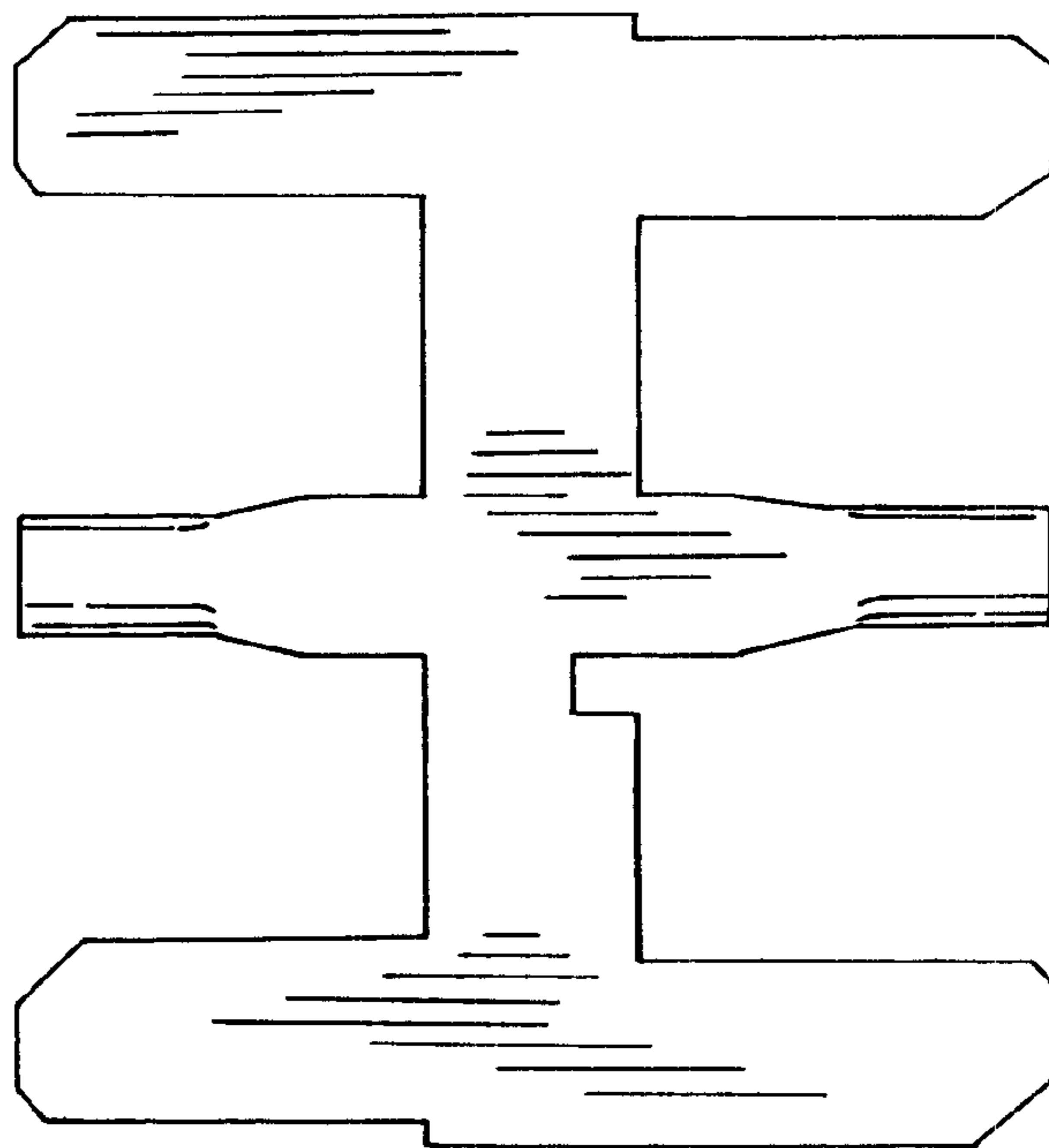


FIG. 3

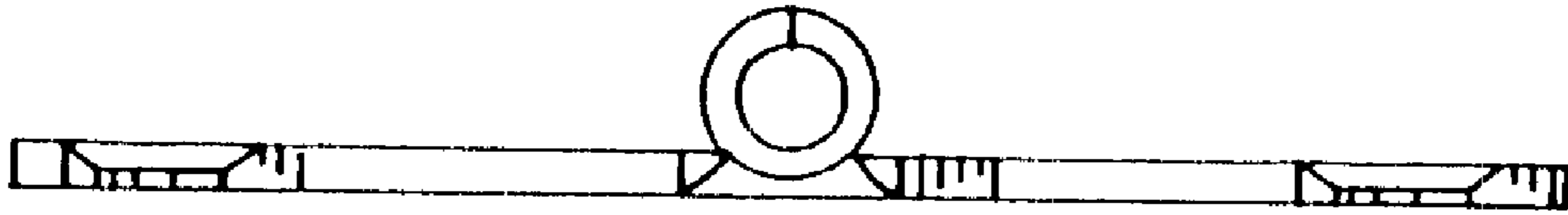


FIG. 4

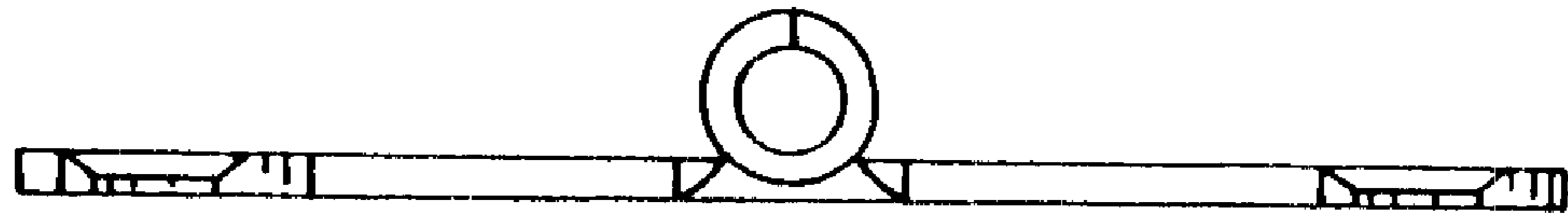


FIG. 5

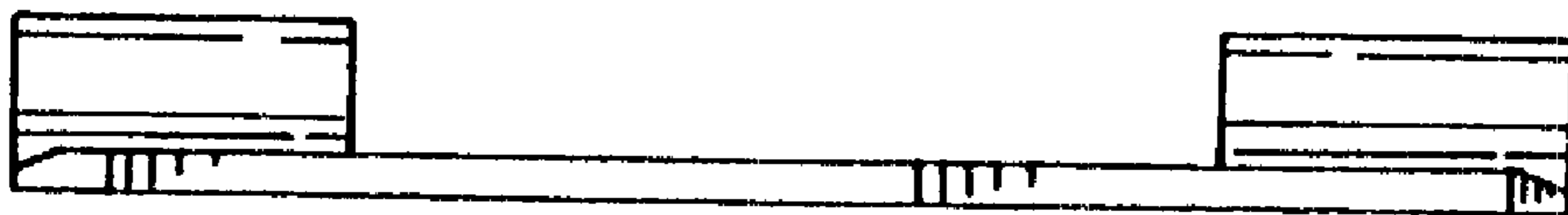


FIG. 6