



US00D478315S

(12) **United States Design Patent**  
**Kondas**

(10) **Patent No.:** **US D478,315 S**

(45) **Date of Patent:** **\*\* Aug. 12, 2003**

(54) **ELECTRICAL TERMINAL**

(75) Inventor: **Shawn J. Kondas**, Kendallville, IN  
(US)

(73) Assignee: **Pent Assemblies, Inc.**, Kendallville, IN  
(US)

(\*\*) Term: **14 Years**

(21) Appl. No.: **29/150,768**

(22) Filed: **Nov. 20, 2001**

(51) **LOC (7) Cl.** ..... **13-03**

(52) **U.S. Cl.** ..... **D13/146; D13/148**

(58) **Field of Search** ..... **D13/133, 146,**  
**D13/147, 148; 439/215, 650, 845, 850,**  
**849, 907**

(56) **References Cited**

**U.S. PATENT DOCUMENTS**

4,685,886 A \* 8/1987 Denlinger et al. .... 439/55  
4,740,167 A \* 4/1988 Millhimes et al. .... 439/92

5,203,712 A \* 4/1993 Kilpatrick et al. .... 439/215  
5,266,046 A \* 11/1993 Bogiel ..... 439/290  
5,584,714 A \* 12/1996 Karst et al. .... 439/215  
6,267,613 B1 \* 7/2001 McCoy et al. .... 439/281

\* cited by examiner

*Primary Examiner*—Joel Sincavage

(74) *Attorney, Agent, or Firm*—Taylor & Aust, P.C.

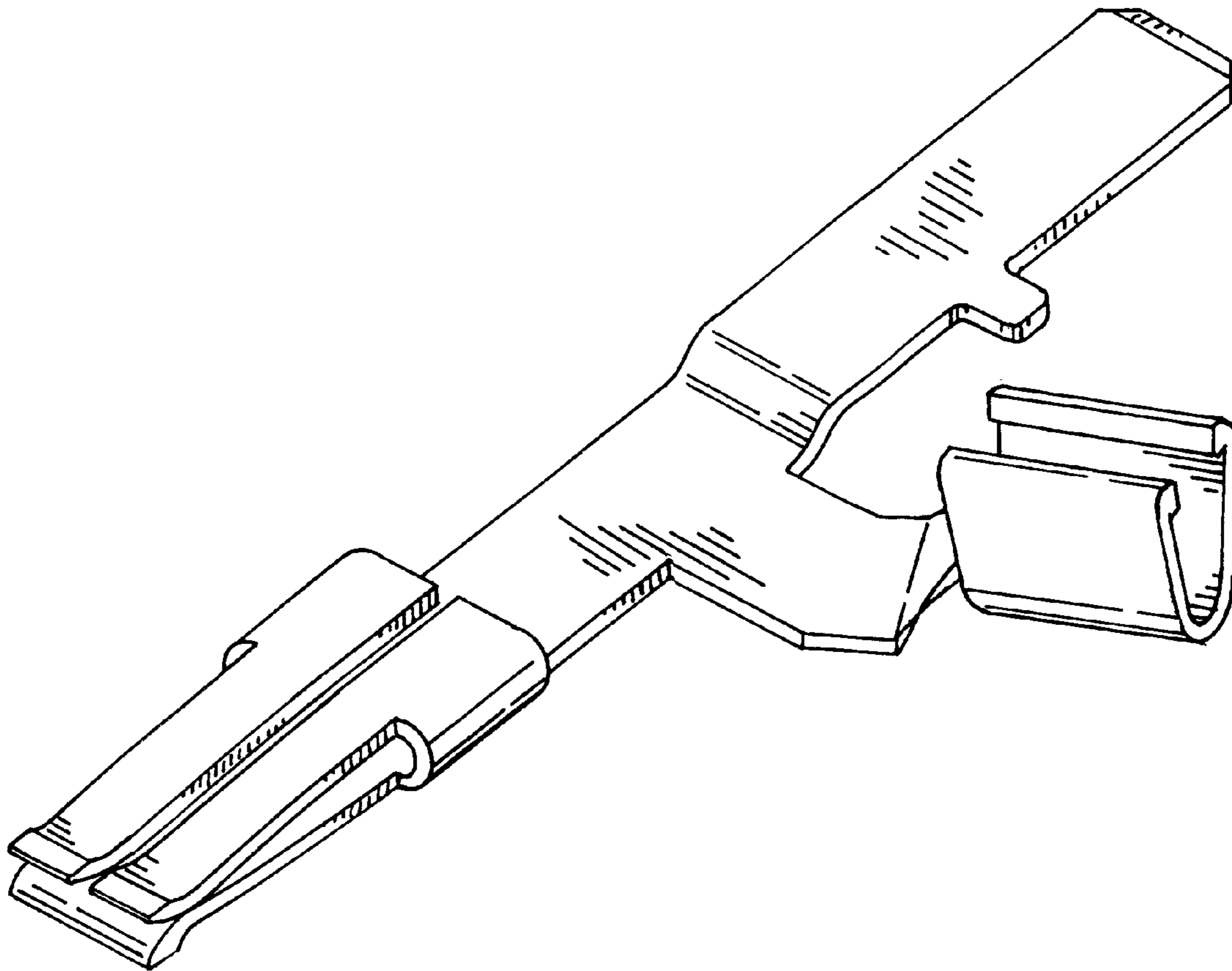
(57) **CLAIM**

The ornamental design for an electrical terminal, as shown and described.

**DESCRIPTION**

FIG. 1 is a perspective view of an electrical terminal showing my new design;  
FIG. 2 is an end view thereof;  
FIG. 3 is an opposite end view thereof;  
FIG. 4 is a top view thereof;  
FIG. 5 is a side view thereof;  
FIG. 6 is an alternate side view thereof; and,  
FIG. 7 is a bottom view thereof.

**1 Claim, 3 Drawing Sheets**



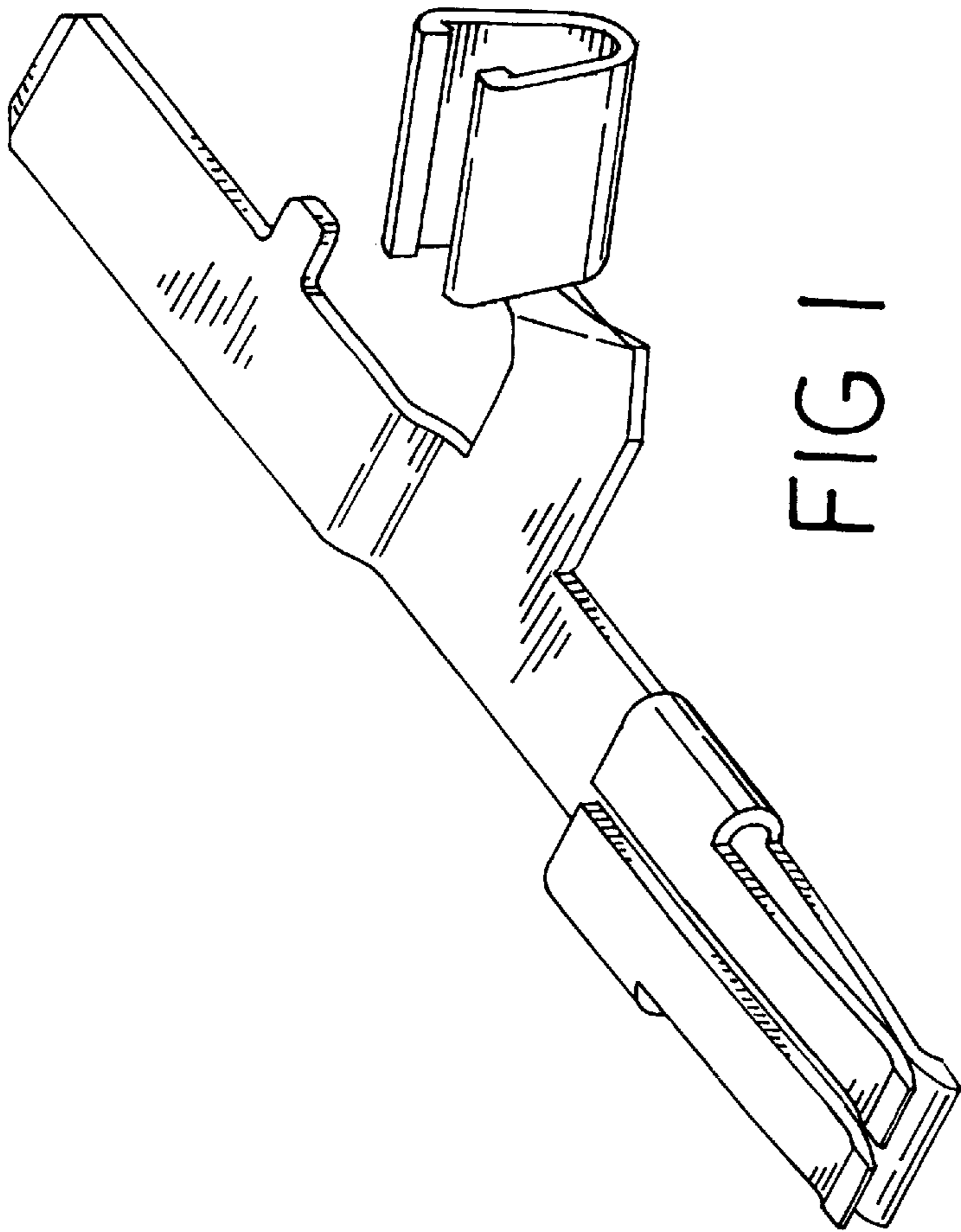


FIG. 1

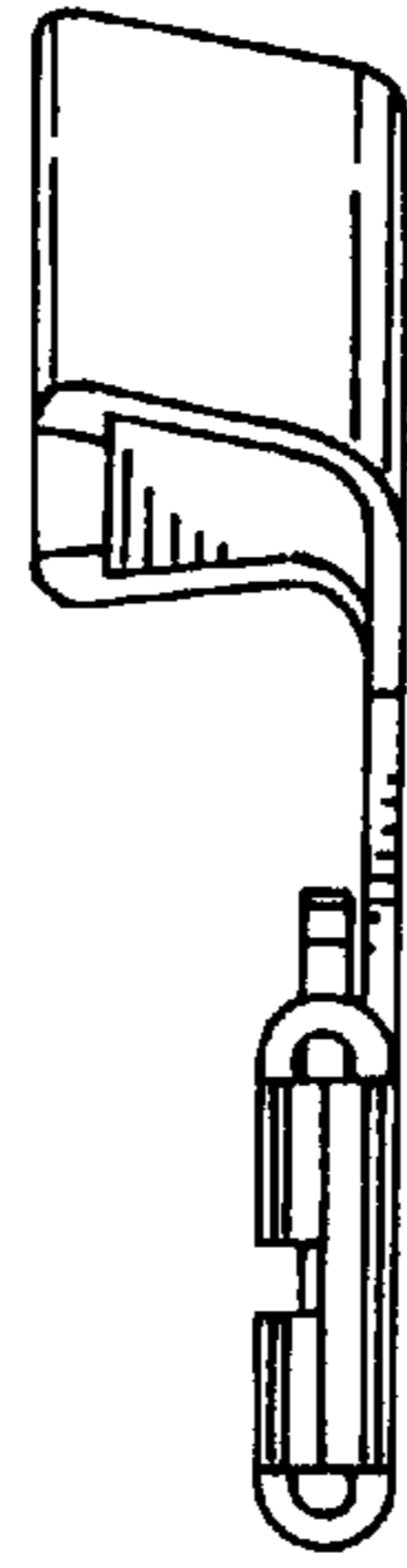


FIG. 2

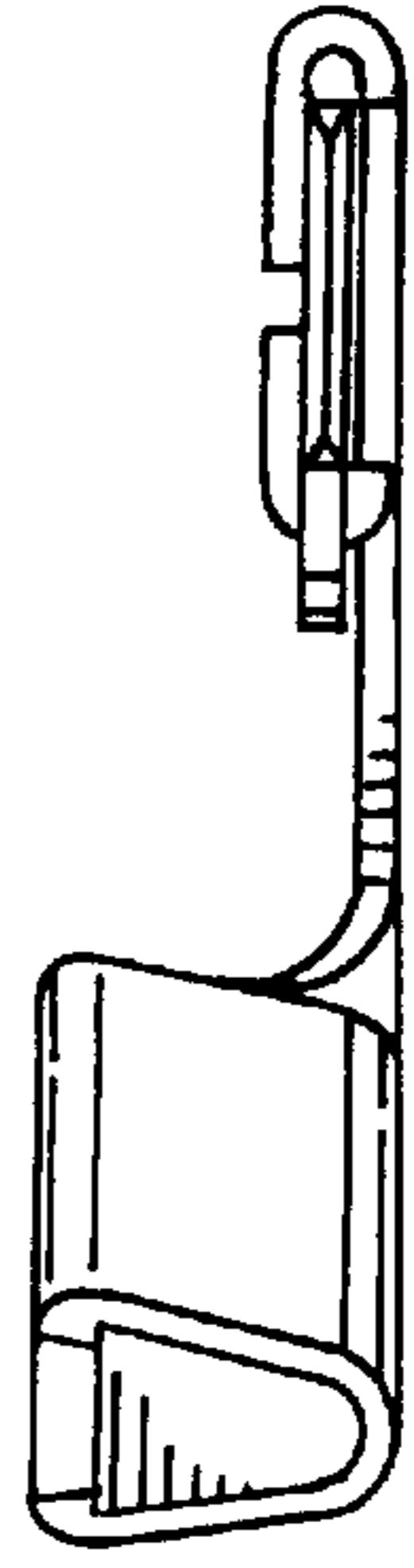
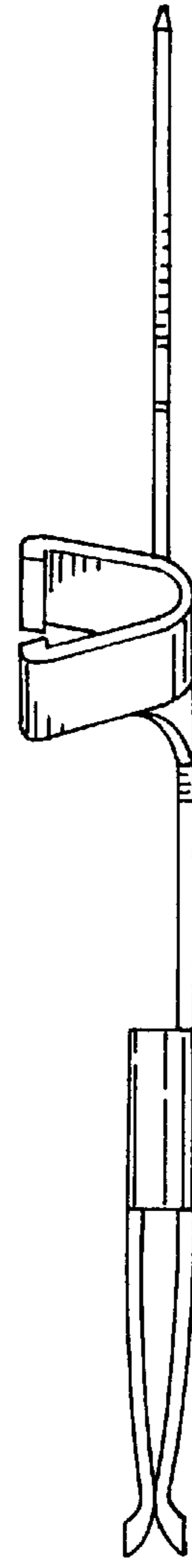
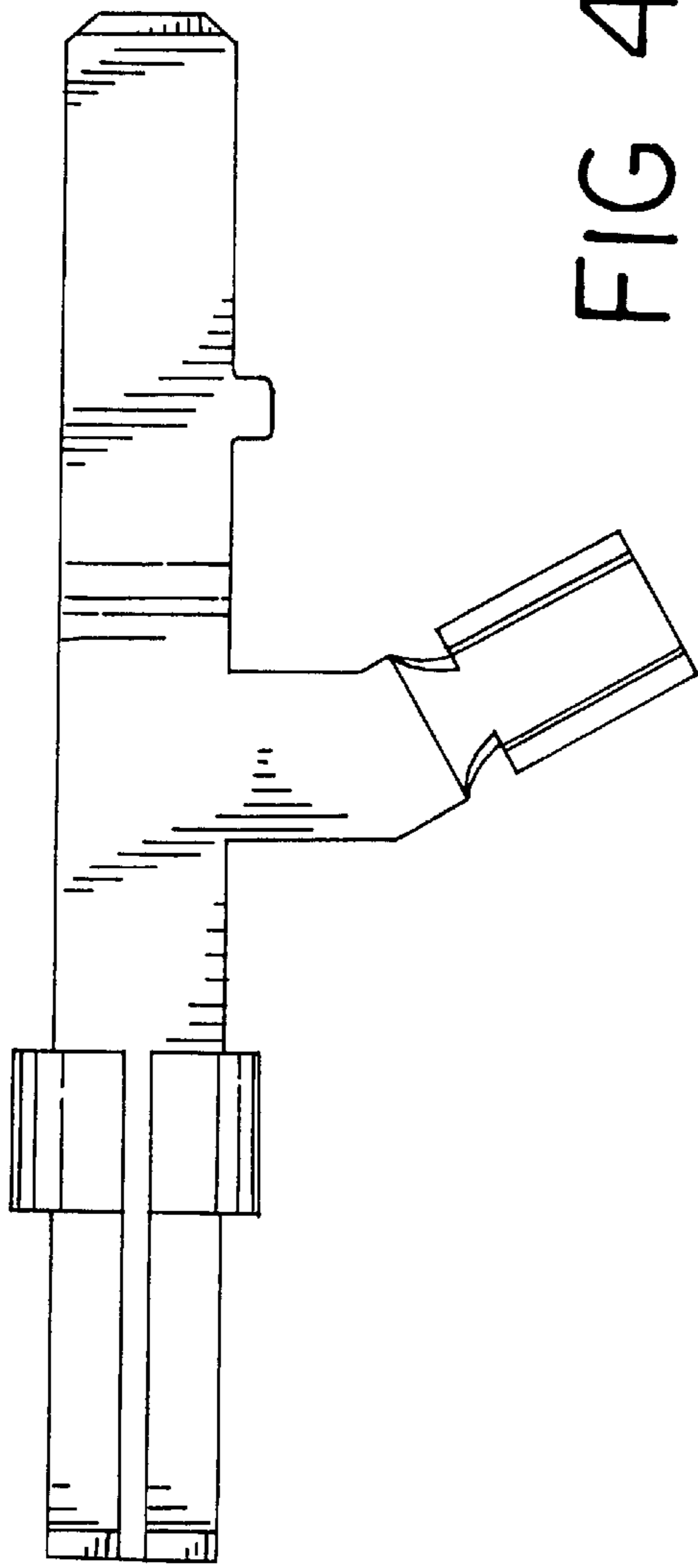


FIG. 3



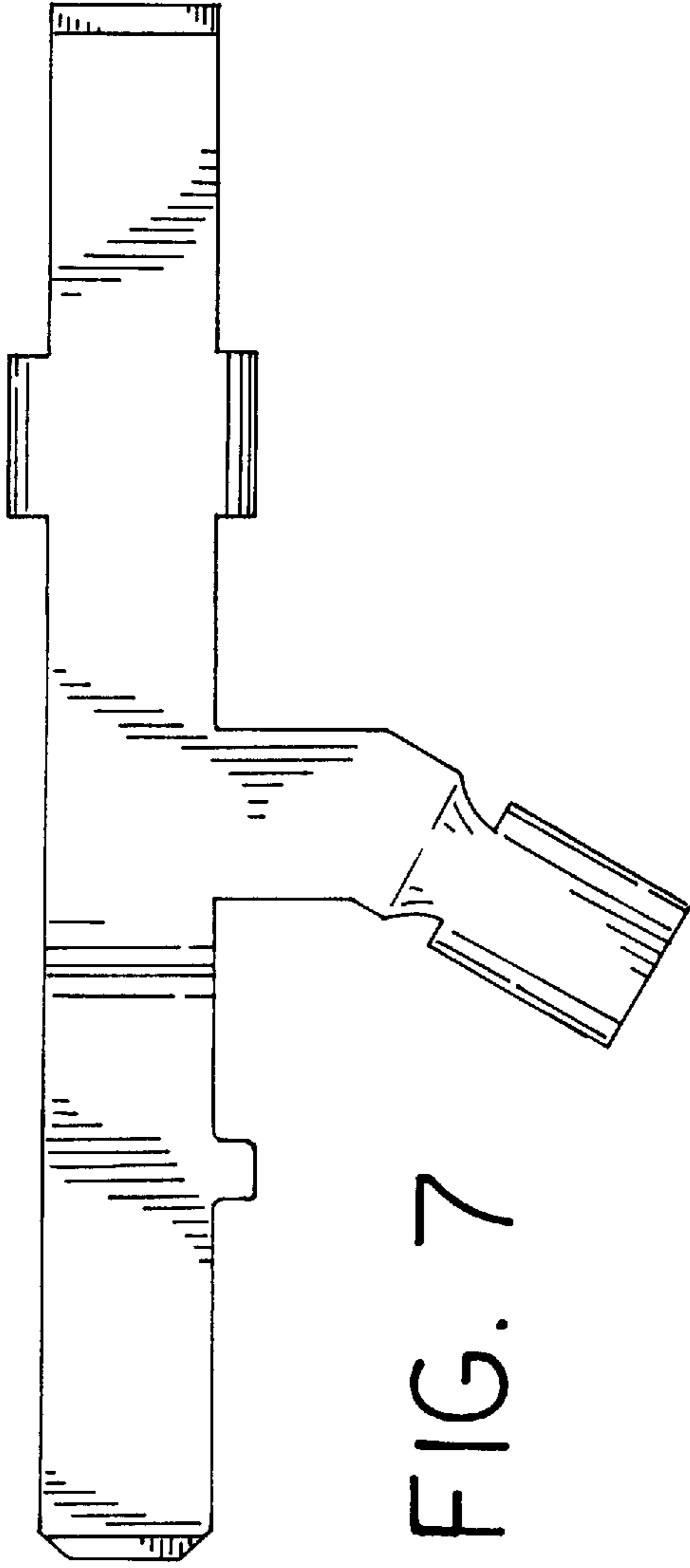


FIG. 7

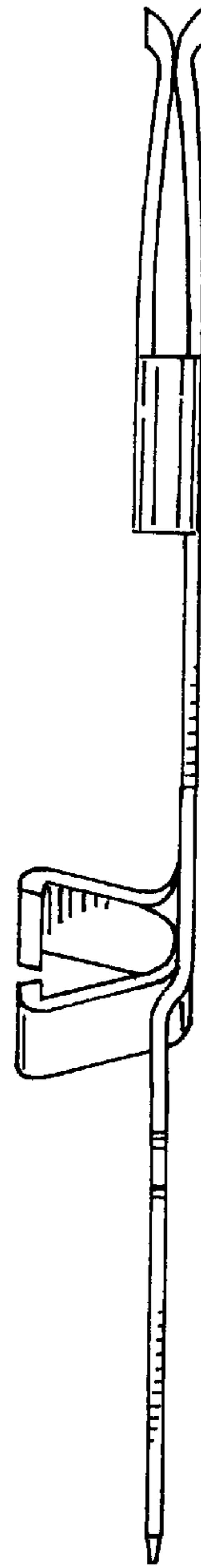


FIG. 6