



US00D478314S

(12) **United States Design Patent**
Thomas

(10) **Patent No.:** **US D478,314 S**

(45) **Date of Patent:** **** Aug. 12, 2003**

(54) **CANDELABRA BASE SOCKET ASSEMBLY**

5,006,971 A 4/1991 Jenkins
D335,550 S * 5/1993 Neustadt D26/138

(75) **Inventor:** **Jack D. Thomas**, Goshen, KY (US)

* cited by examiner

(73) **Assignee:** **Genlyte Thomas Group LLC**,
Louisville, KY (US)

Primary Examiner—Jennifer Rivard
(74) *Attorney, Agent, or Firm*—Jeffrey A. Haeberlin;
Middleton Reutlinger

(**) **Term:** **14 Years**

(21) **Appl. No.:** **29/155,697**

(22) **Filed:** **Feb. 14, 2002**

(51) **LOC (7) Cl.** **13-03**

(52) **U.S. Cl.** **D13/136; D26/113**

(58) **Field of Search** D26/113, 138;
D13/134–136; 439/699.2, 602, 605

(57) **CLAIM**

The ornamental design for a candelabra base socket assembly, as shown and described.

DESCRIPTION

FIG. 1 is a front elevational view of a candelabra base socket assembly showing my design;
FIG. 2 is a perspective view thereof;
FIG. 3 is a bottom plan view thereof;
FIG. 4 is a front elevational view of a second embodiment of a candelabra base socket assembly showing my design;
FIG. 5 is a perspective view thereof; and,
FIG. 6 is a bottom plan view thereof.

The top of the candelabra base socket assembly is unornamented and not visible in normal use, since it is mounted against a base plate of a ceiling mounted luminaire. Therefore, the top of the candelabra base socket assembly forms no part of the claimed design, and the top plan view has been omitted.

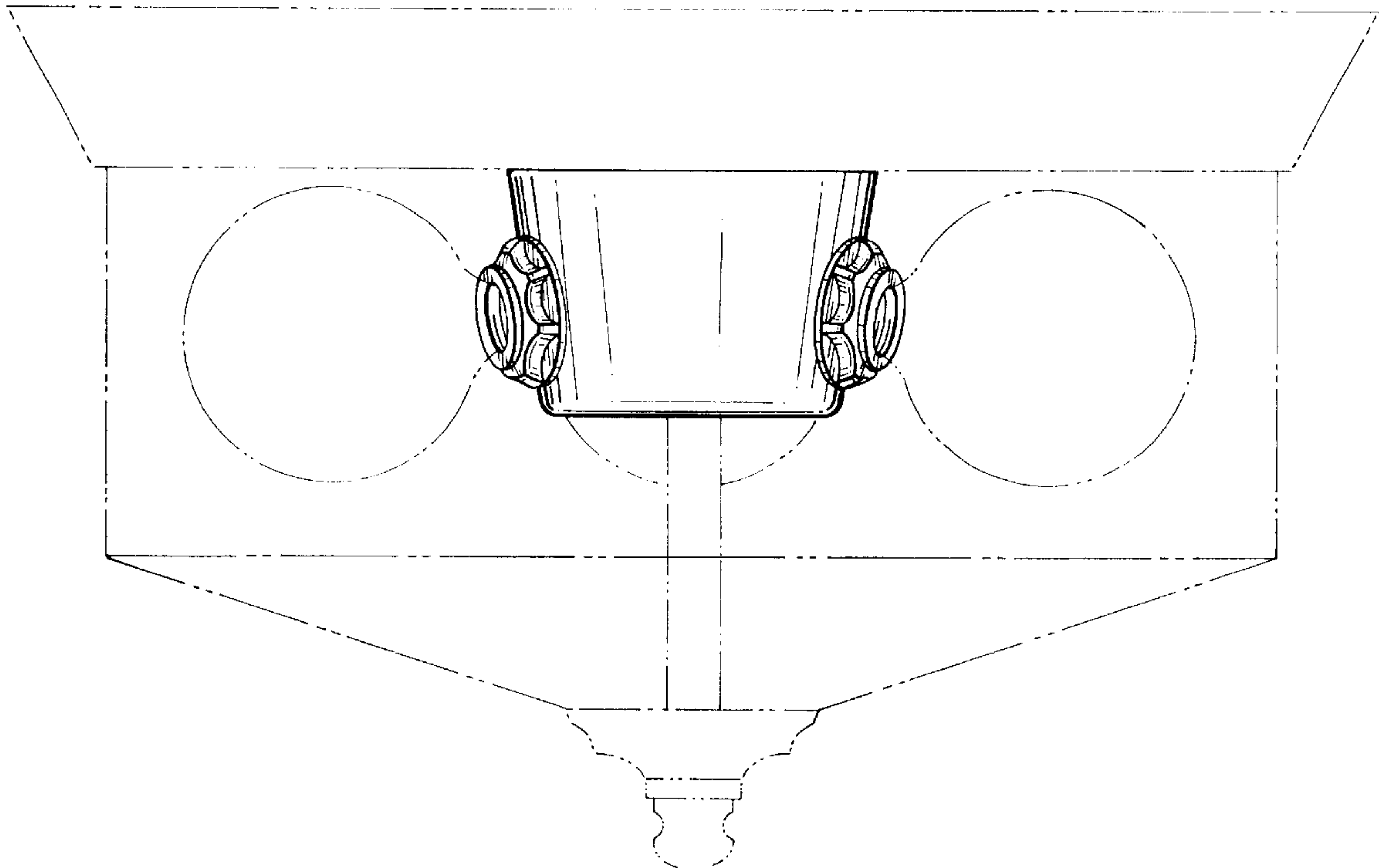
The broken line showing of the other luminaire elements and lamps in the Figures is for illustrative purposes only and forms no part of the claimed design.

(56) **References Cited**

U.S. PATENT DOCUMENTS

585,250 A	6/1897	Bennett, Jr.	
734,875 A	7/1903	Hubbell	
835,282 A	11/1906	Hubbell	
1,030,007 A	6/1912	Miller	
1,083,895 A	1/1914	Hoover et al.	
1,127,527 A	2/1915	Schoen	
1,281,999 A	10/1918	Peterson	
1,305,151 A	5/1919	Newton	
1,682,947 A	9/1928	Wire	
1,930,927 A	10/1933	Doane	
1,995,700 A	3/1935	Butler	
2,863,040 A	12/1958	Marriett	
2,892,929 A	6/1959	Leichtung	
D217,784 S	* 6/1970	Filer et al.	D13/135

1 Claim, 6 Drawing Sheets



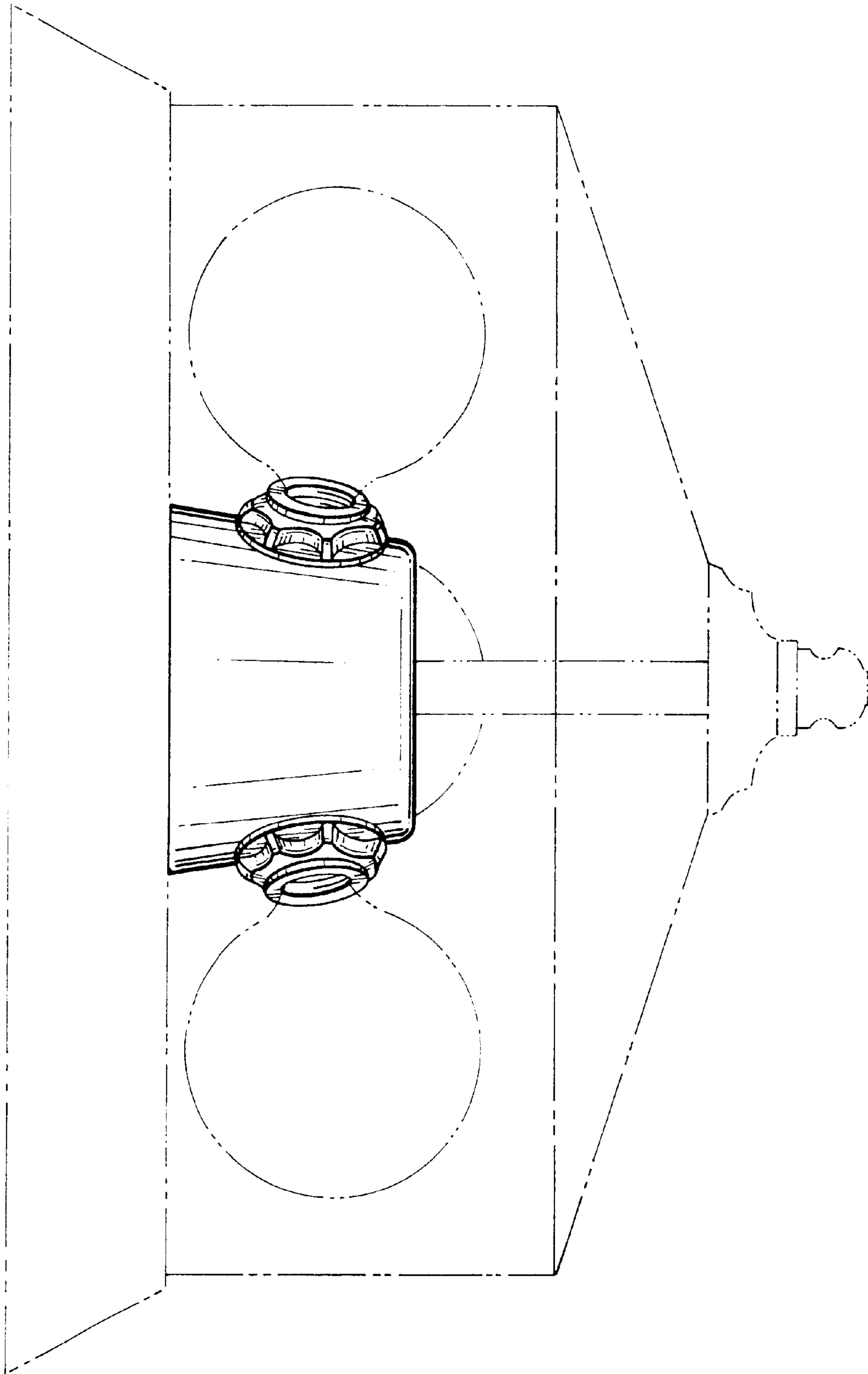


FIG. 1

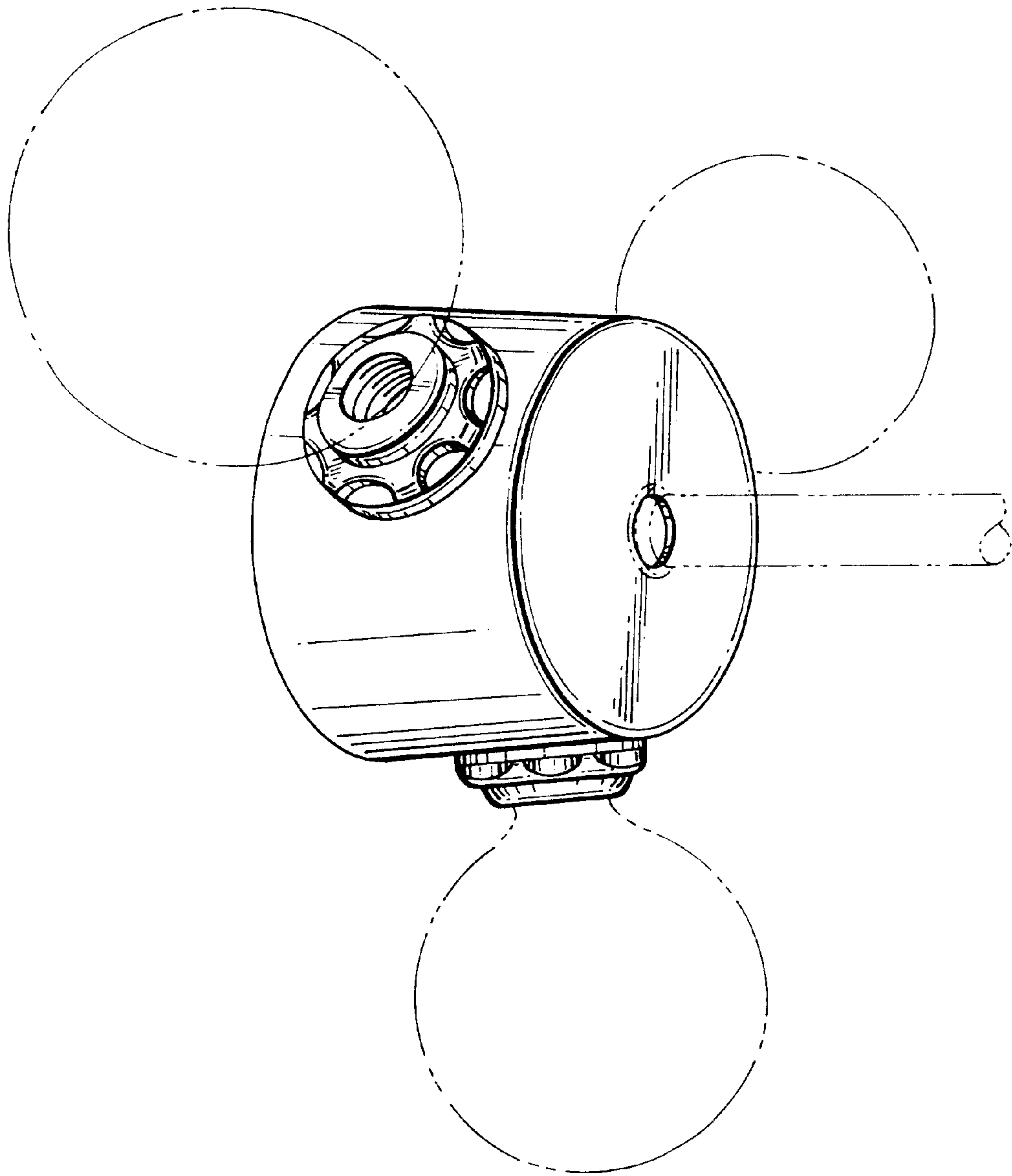


FIG. 2

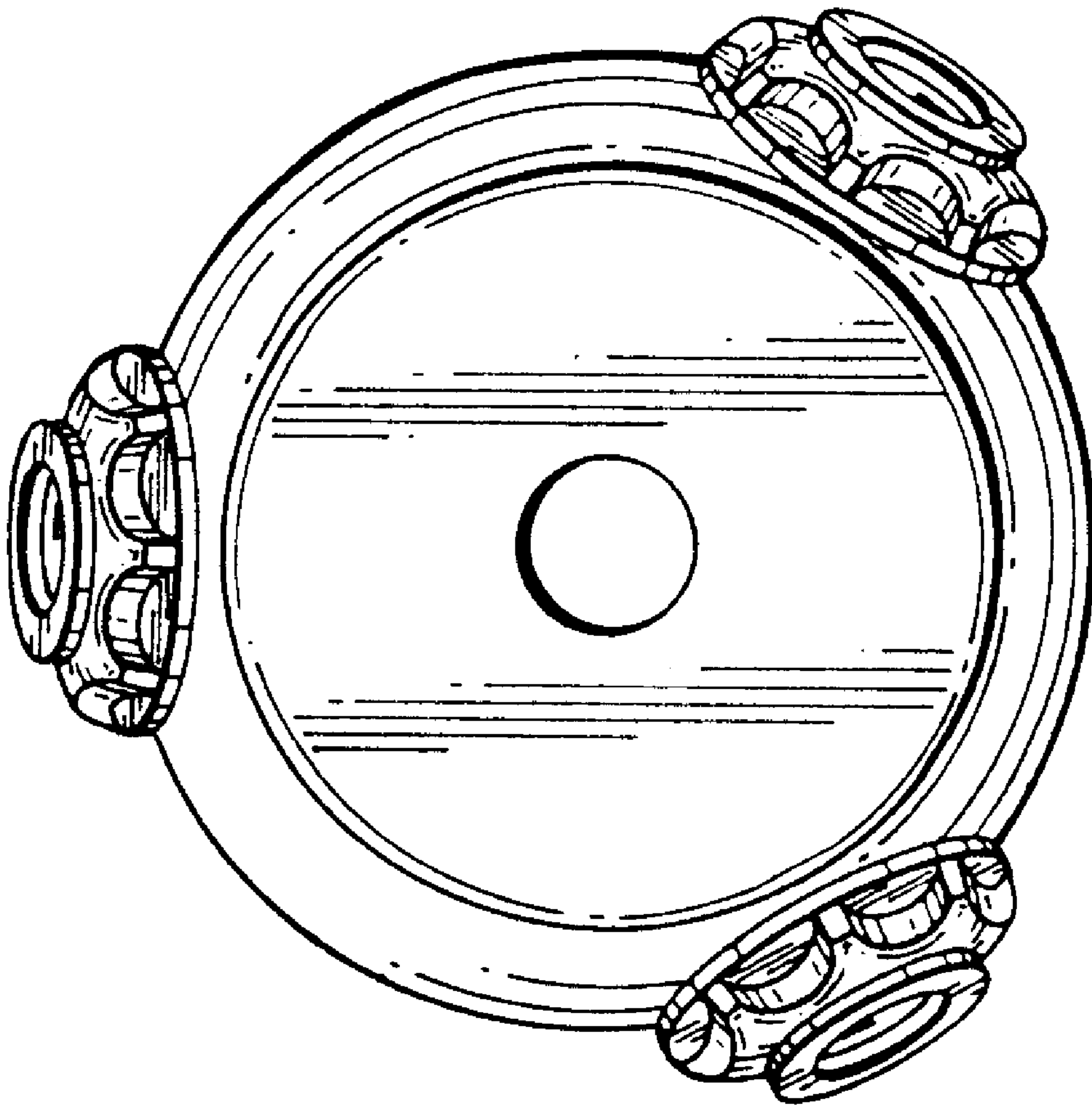


FIG. 3

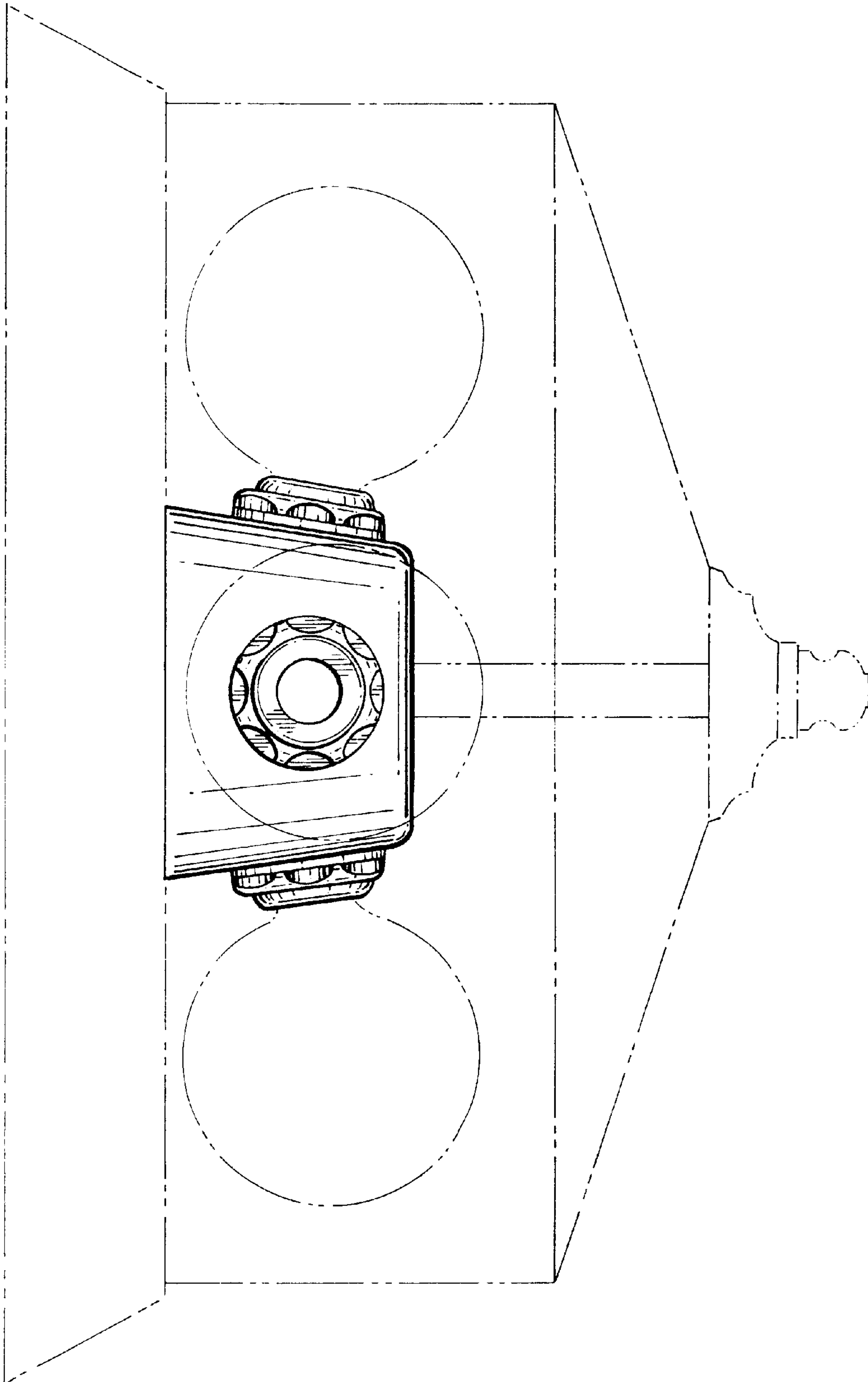


FIG. 4

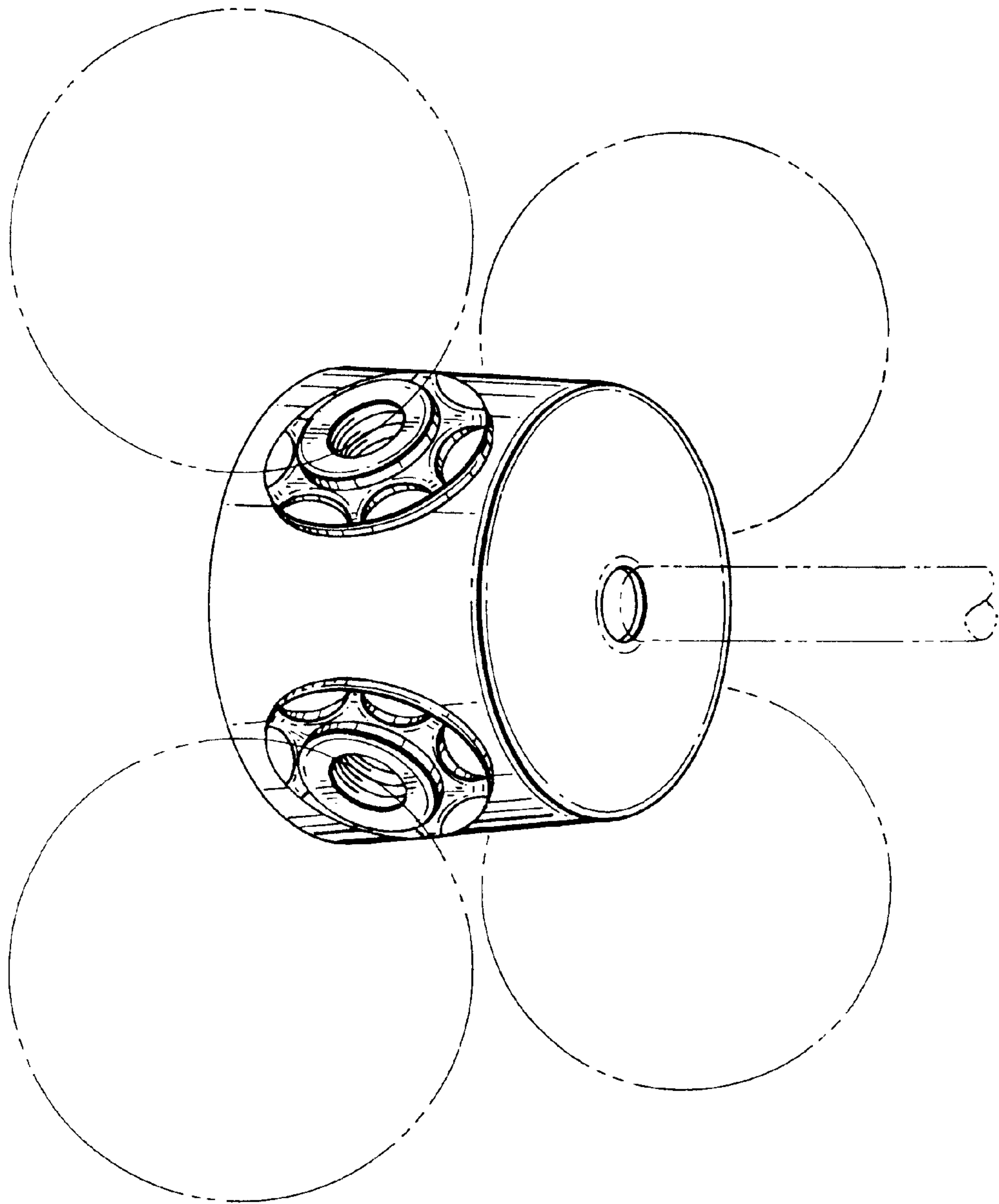


FIG. 5

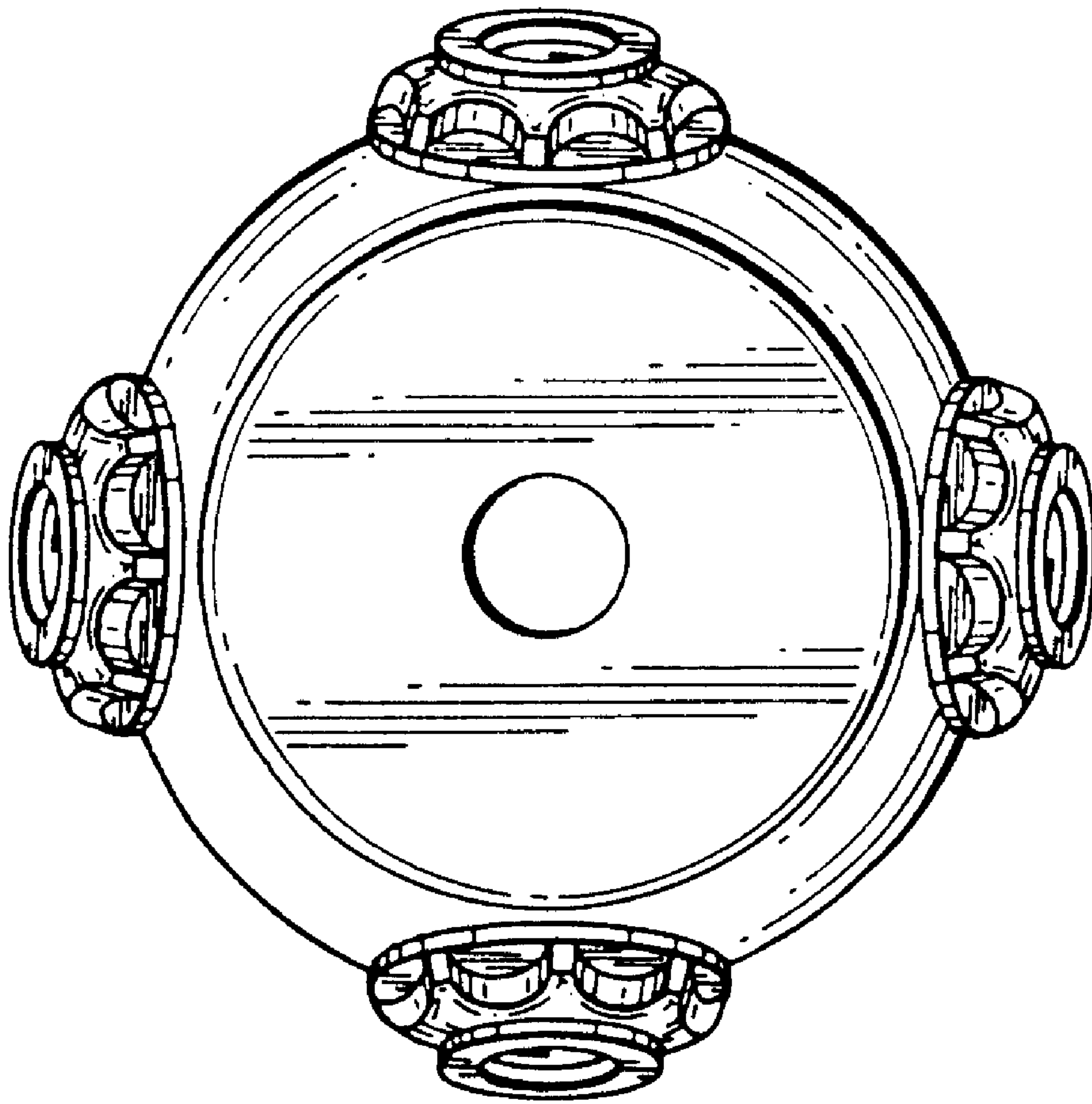


FIG. 6