



US00D478312S

(12) **United States Design Patent**
Liang

(10) **Patent No.:** **US D478,312 S**

(45) **Date of Patent:** **** Aug. 12, 2003**

(54) **ELECTRIC COUPLER FOR BATTERIES**

6,334,797 B1 * 1/2002 Liang 439/763

(76) Inventor: **Shih Chung Liang**, P.O. Box 10-69,
Chong Ho, Taipei (TW), 235

* cited by examiner

Primary Examiner—Joel Sincavage

(**) Term: **14 Years**

(57) **CLAIM**

(21) Appl. No.: **29/171,502**

The ornamental design for an electric coupler for batteries,
as shown and described.

(22) Filed: **Nov. 21, 2002**

DESCRIPTION

(51) **LOC (7) Cl.** **13-03**

(52) **U.S. Cl.** **D13/120**

(58) **Field of Search** D13/119, 120,
D13/151, 149; 439/762, 763, 764

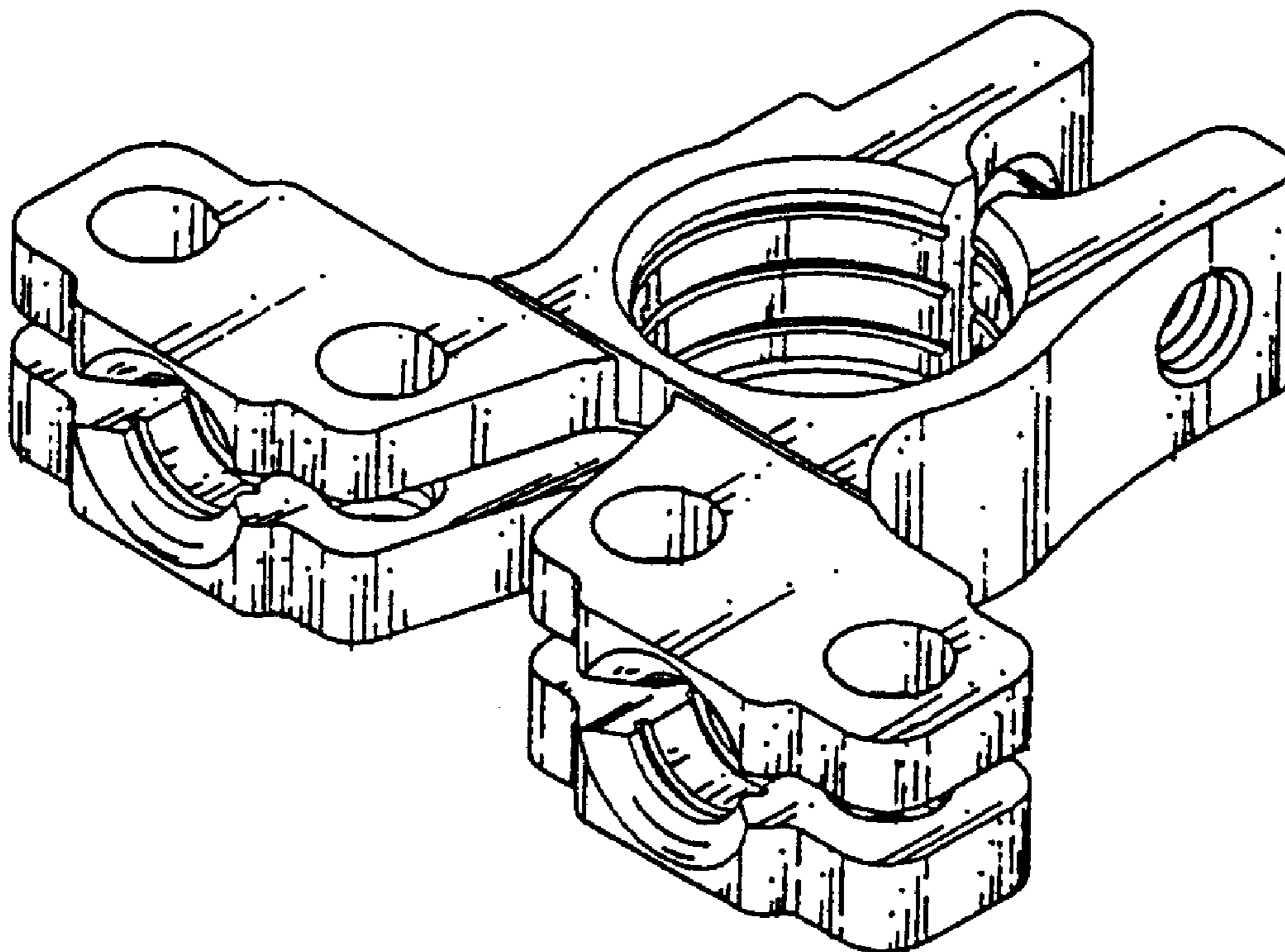
FIG. 1 is an upper perspective view of an electric coupler for
batteries showing my new design;
FIG. 2 is a front elevational view thereof;
FIG. 3 is a rear elevational view thereof;
FIG. 4 is a top plan view thereof;
FIG. 5 is a bottom plan view thereof;
FIG. 6 is a left side elevational view thereof;
FIG. 7 is a right side elevational view thereof; and,
FIG. 8 is a bottom perspective view thereof.

(56) **References Cited**

U.S. PATENT DOCUMENTS

- D438,173 S * 2/2001 Liang D13/120
- D448,725 S * 10/2001 Liang D13/120
- D449,272 S * 10/2001 Liang D13/120

1 Claim, 2 Drawing Sheets



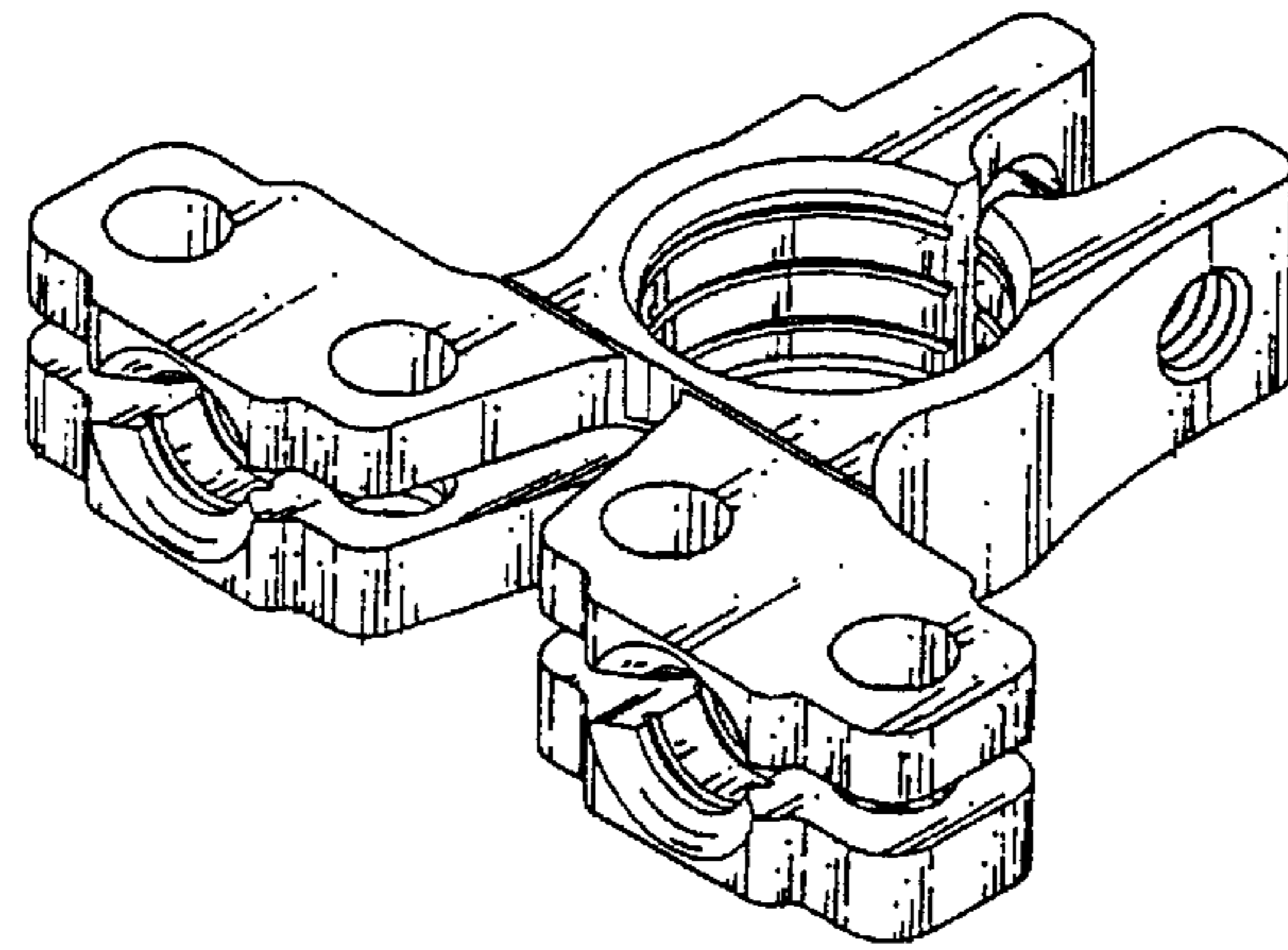


FIG. 1

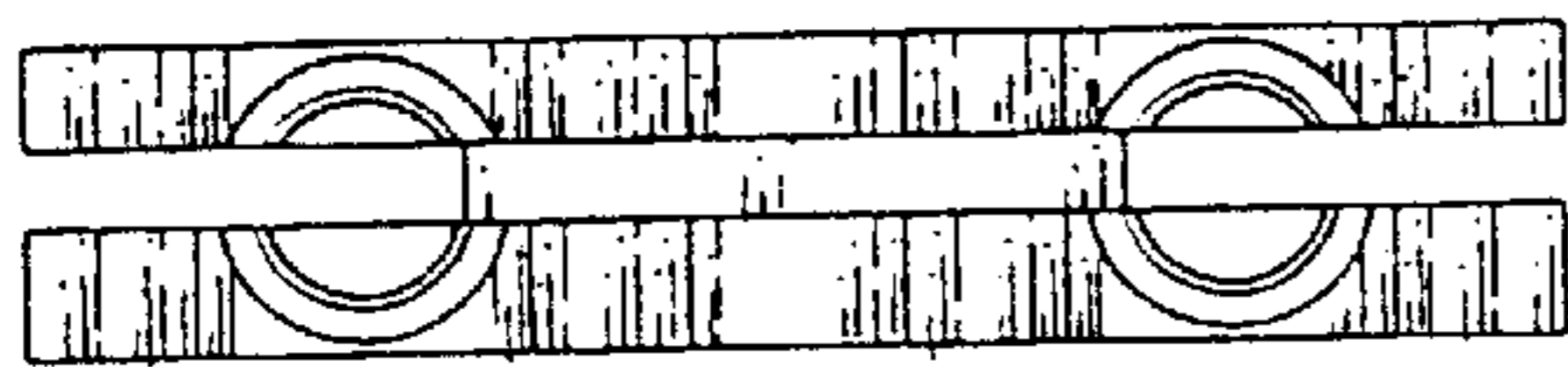


FIG. 2



FIG. 3

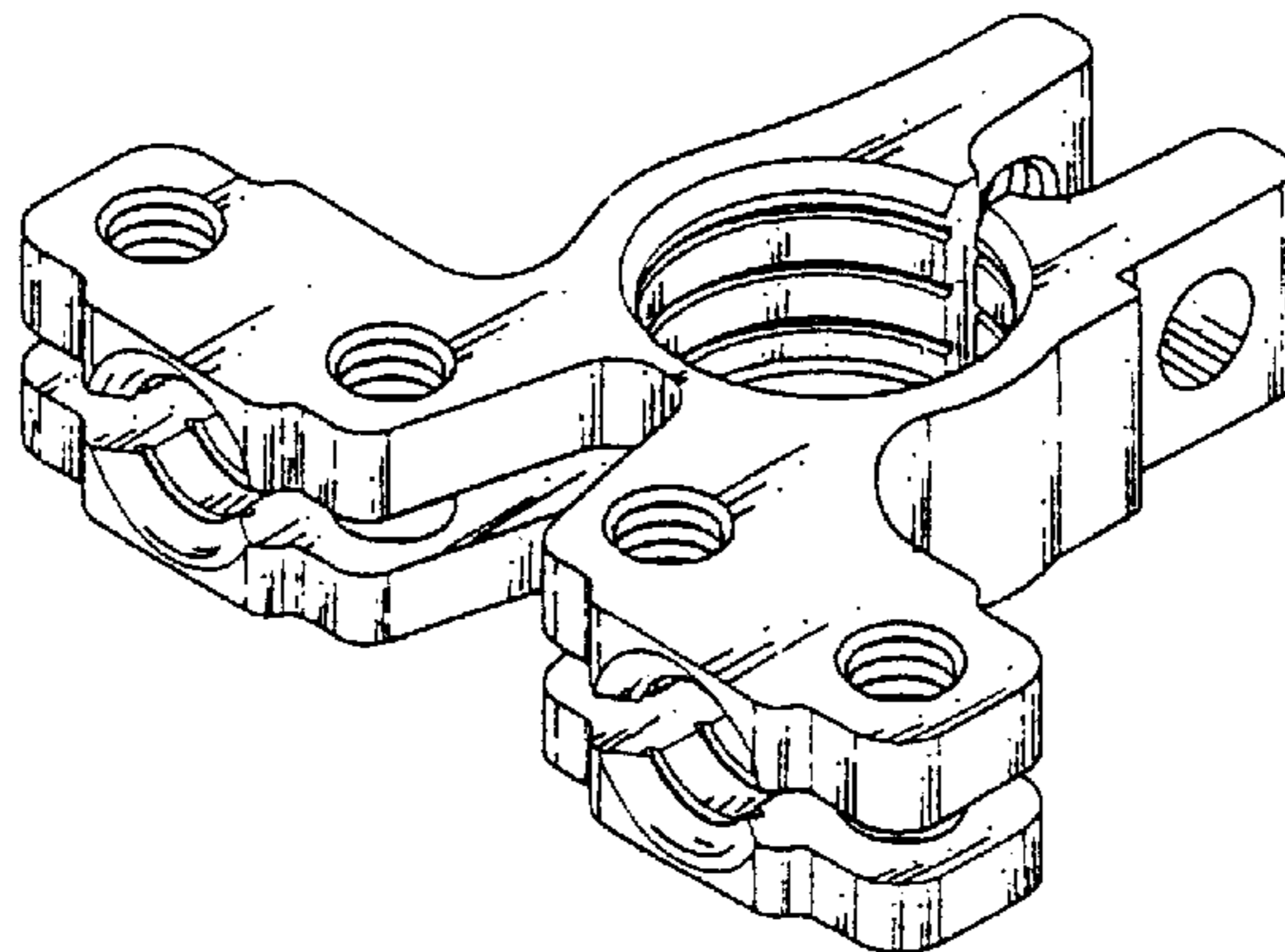


FIG. 8

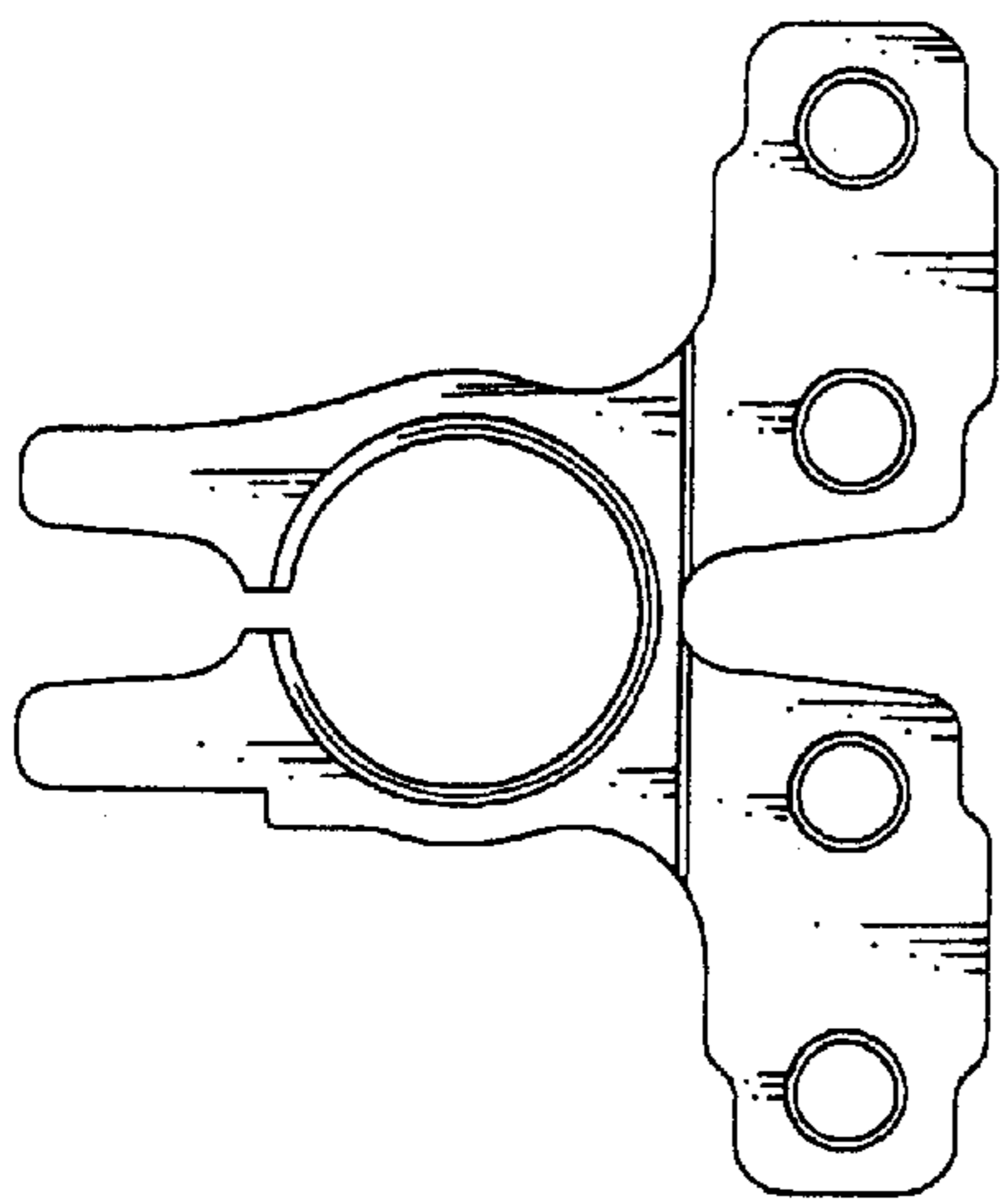


FIG. 4

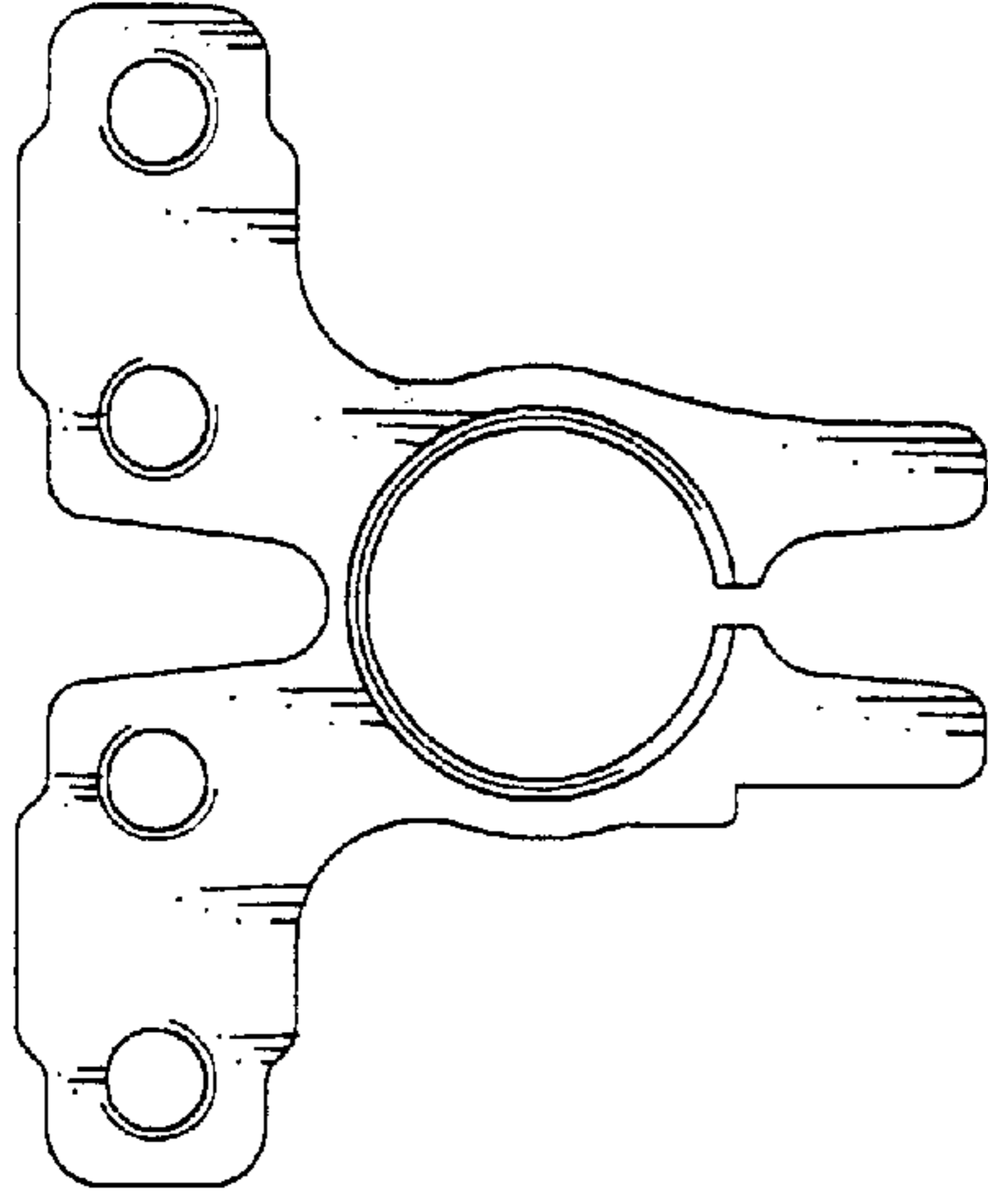


FIG. 5



FIG. 6

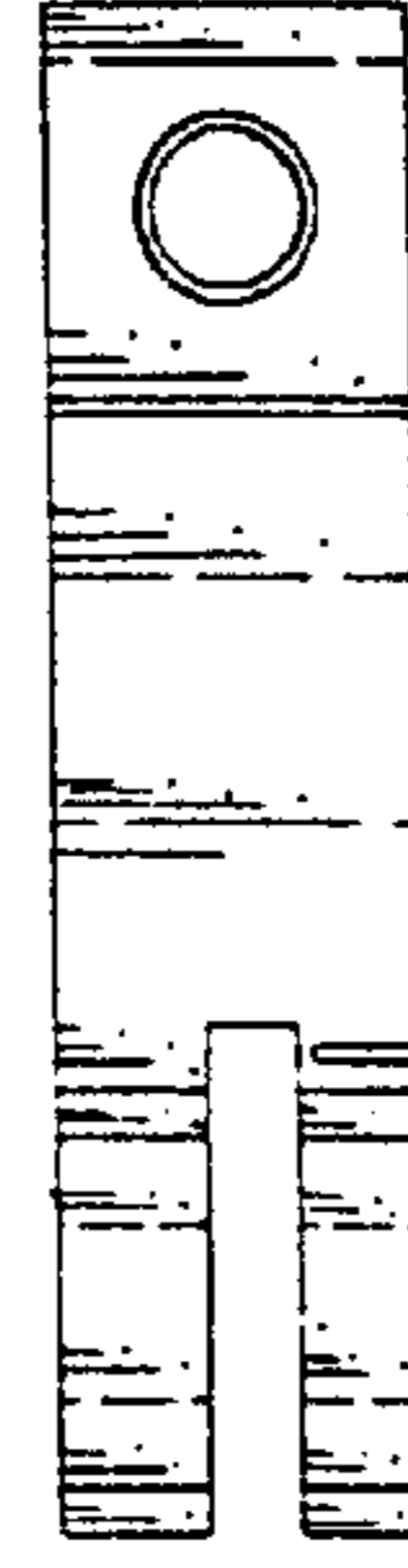


FIG. 7