



US00D478310S

(12) **United States Design Patent** (10) **Patent No.:** **US D478,310 S**  
**Andre et al.** (45) **Date of Patent:** **\*\* Aug. 12, 2003**

(54) **POWER ADAPTER**

(75) Inventors: **Bartley K. Andre**, Menlo Park, CA (US); **Daniel J. Coster**, San Francisco, CA (US); **Daniele De Iuliis**, San Francisco, CA (US); **Richard P. Howarth**, San Francisco, CA (US); **Jonathan P. Ive**, San Francisco, CA (US); **Steve Jobs**, Palo Alto, CA (US); **Duncan Robert Kerr**, San Francisco, CA (US); **Matthew Dean Rohrbach**, San Francisco, CA (US); **Douglas B. Satzger**, San Carlos, CA (US); **Calvin Q. Seid**, Palo Alto, CA (US); **Christopher J. Stringer**, Pacifica, CA (US); **Eugene Anthony Whang**, San Francisco, CA (US)

(73) Assignee: **Apple Computer, Inc.**, Cupertino, CA (US)

(\*\*) Term: **14 Years**

(21) Appl. No.: **29/145,957**

(22) Filed: **Jul. 31, 2001**

(51) **LOC (7) Cl.** ..... **13-02**

(52) **U.S. Cl.** ..... **D13/110**

(58) **Field of Search** ..... **D13/110, 107; 439/172-173, 500; 363/146; 320/107**

(56) **References Cited**

**U.S. PATENT DOCUMENTS**

5,019,767 A \* 5/1991 Shirai et al. .... 320/112  
D383,115 S \* 9/1997 Nagele et al. .... D13/110  
5,684,689 A \* 11/1997 Hahn ..... 363/146  
6,086,395 A \* 7/2000 Lloyd et al. .... 439/172

**OTHER PUBLICATIONS**

U.S. Design patent application Ser. No. 29/153,133, by Andre et al., entitled "POWER ADAPTER," filed Oct. 22, 2001.

(List continued on next page.)

*Primary Examiner*—Holly Baynham  
(74) *Attorney, Agent, or Firm*—Beyer Weaver & Thomas, LLP

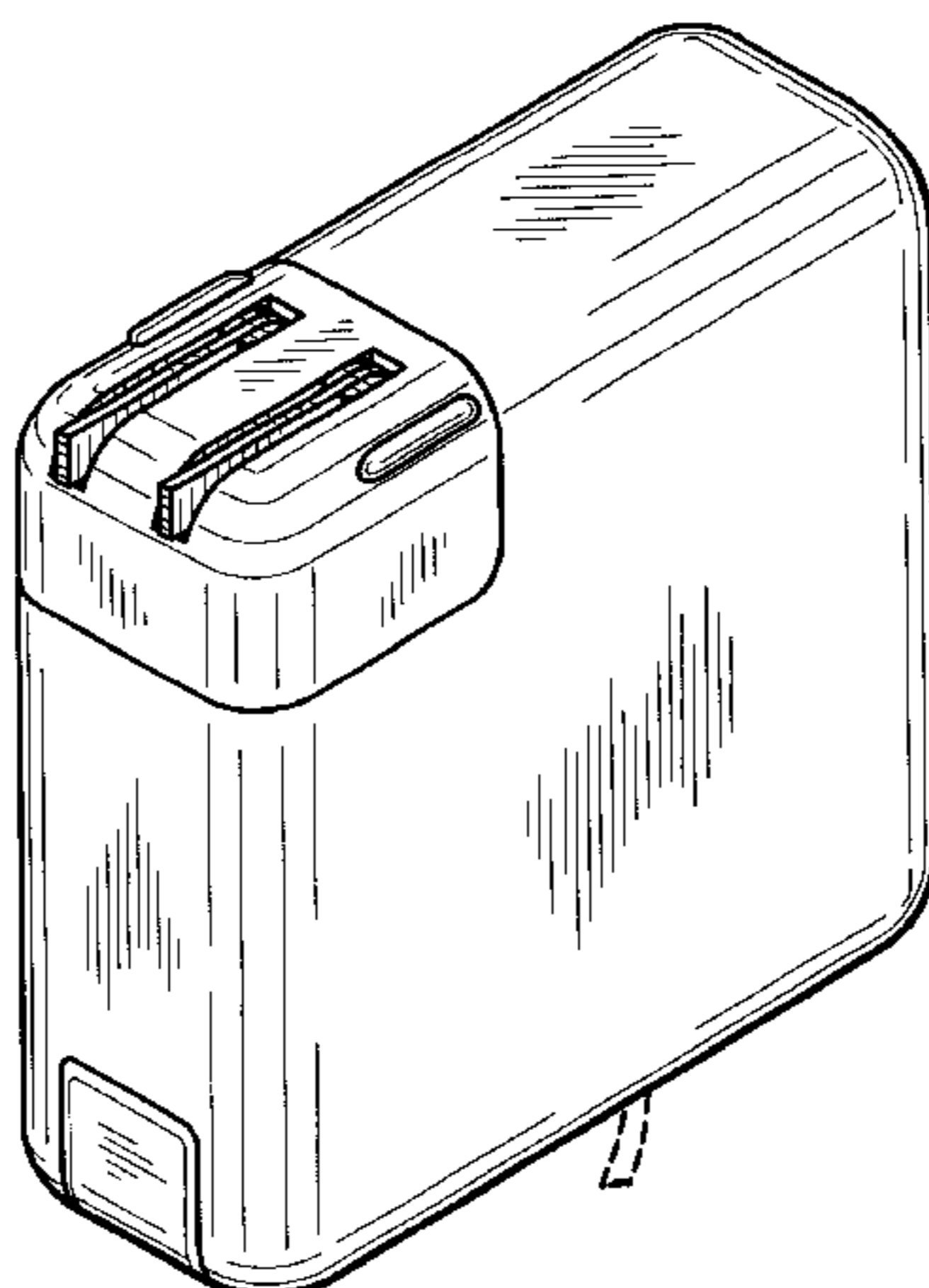
(57) **CLAIM**

We claim the ornamental design for a power adapter, substantially as shown and described.

**DESCRIPTION**

FIG. 1 is a perspective view of a power adapter in accordance with the present design.  
FIG. 2 is a right side view for the power adapter shown in FIG. 1.  
FIG. 3 is a rear view for the power adapter shown in FIG. 1.  
FIG. 4 is a left side view for the power adapter shown in FIG. 1.  
FIG. 5 is a front view for the power adapter shown in FIG. 1.  
FIG. 6 is a top view for the power adapter shown in FIG. 1.  
FIG. 7 is a bottom view for the power adapter shown in FIG. 1.  
FIG. 8 is a perspective view of the power adapter with an adapter element removed and feet extended in accordance with the present design.  
FIG. 9 is a front view for the power adapter shown in FIG. 8.  
FIG. 10 is a right side view for the power adapter shown in FIG. 8.  
FIG. 11 is a perspective view of the adapter element of the power adapter.  
FIG. 12 is a side view of the adapter element of the power adapter shown in FIG. 11.  
FIG. 13 is a front view of the adapter element of the power adapter shown in FIG. 11; and,  
FIG. 14 is a bottom view of the adapter element of the power adapter shown in FIG. 11.  
The broken line showing of a partial cord is for illustrative purposes only and forms no part of the claimed design. The adapter element is shown detached in FIGS. 11-14 for clarity of illustration.

**1 Claim, 4 Drawing Sheets**



**OTHER PUBLICATIONS**

U.S. Design patent application Ser. No. 29/153,988, by Andre et al., entitled "ADAPTER PLUG," filed Oct. 22, 2001.

U.S. Design patent application Ser. No. 29/159,757, by Andre et al., entitled "ADAPTER," filed Apr. 24, 2002.

\* cited by examiner

FIG. 1

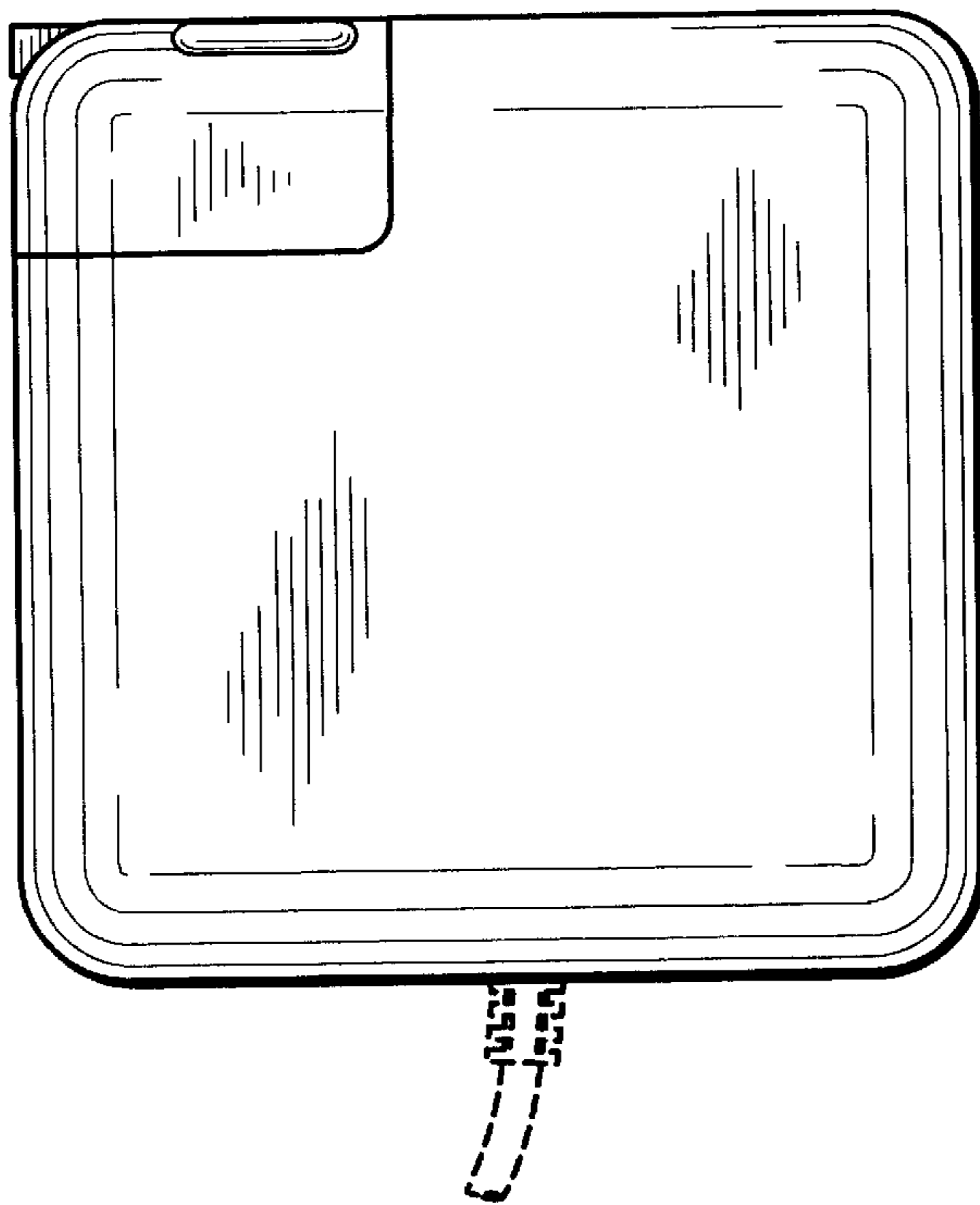
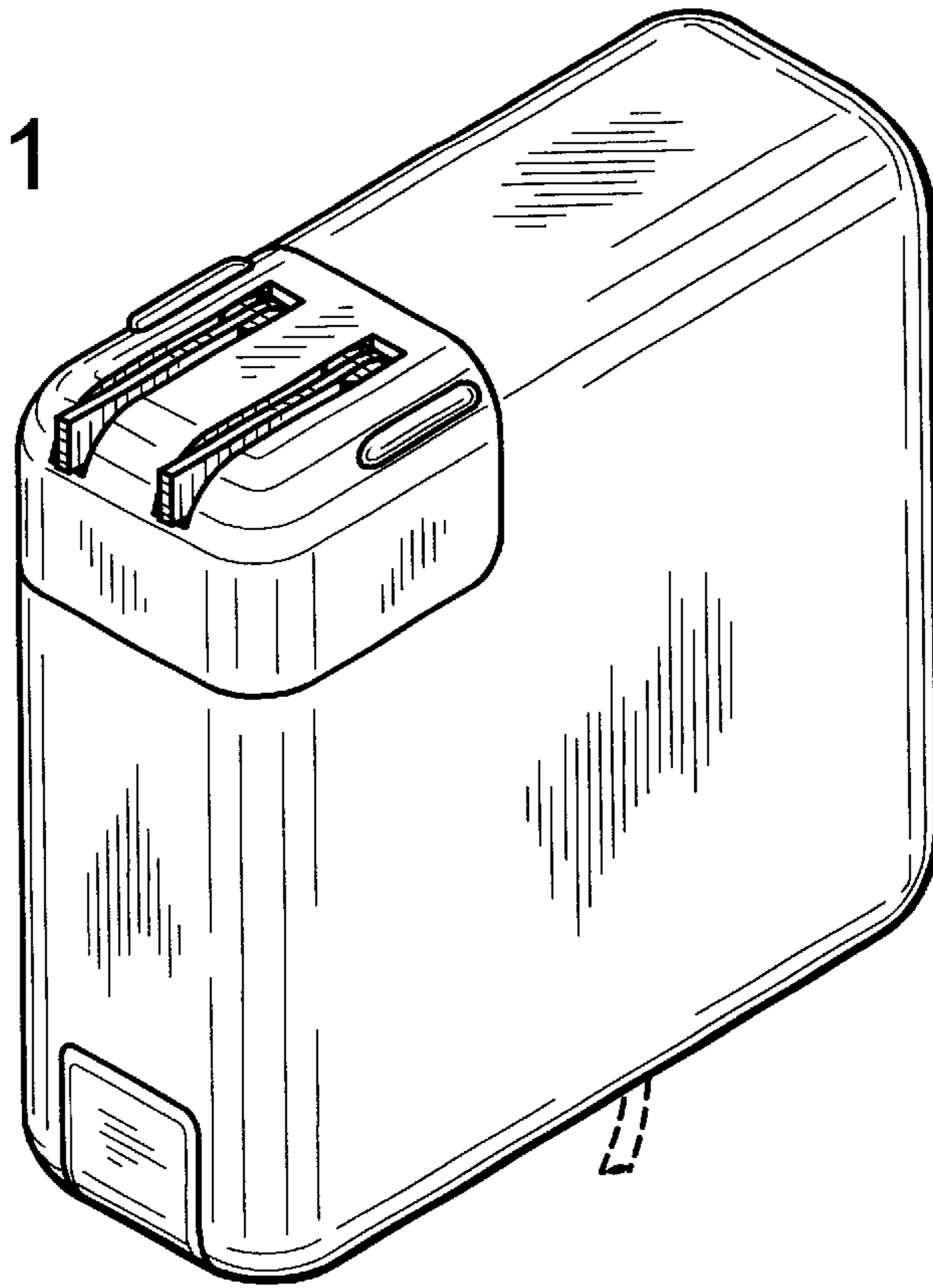


FIG. 2

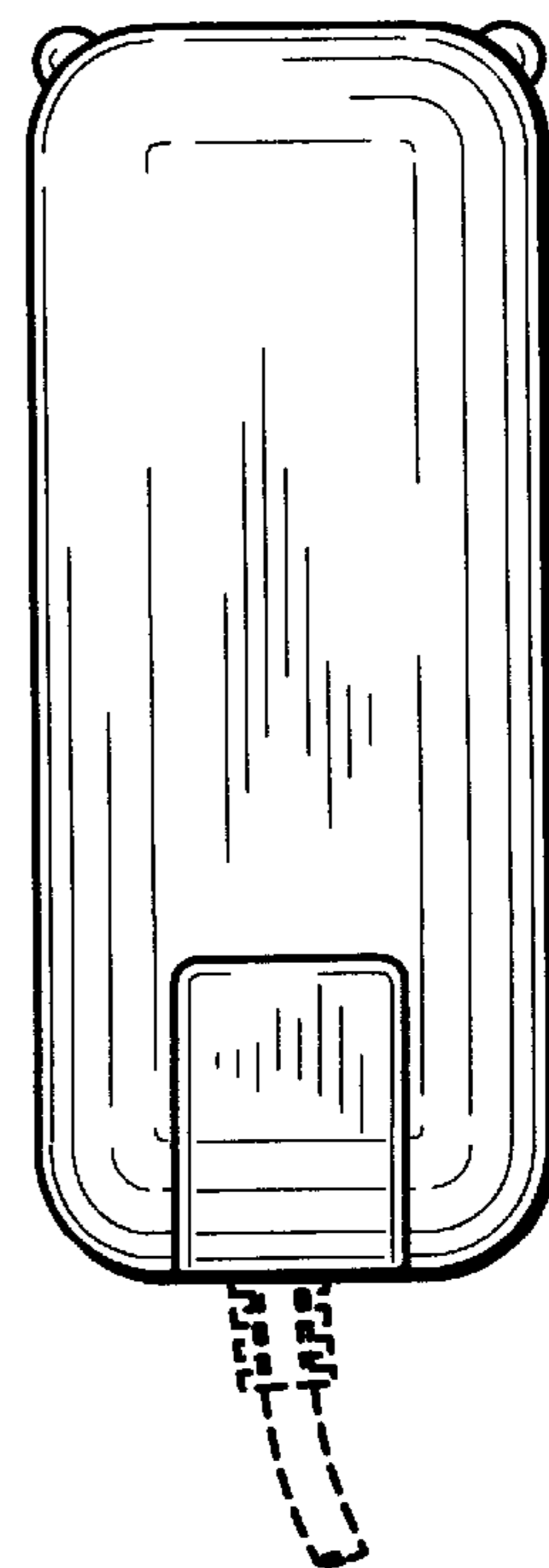


FIG. 3

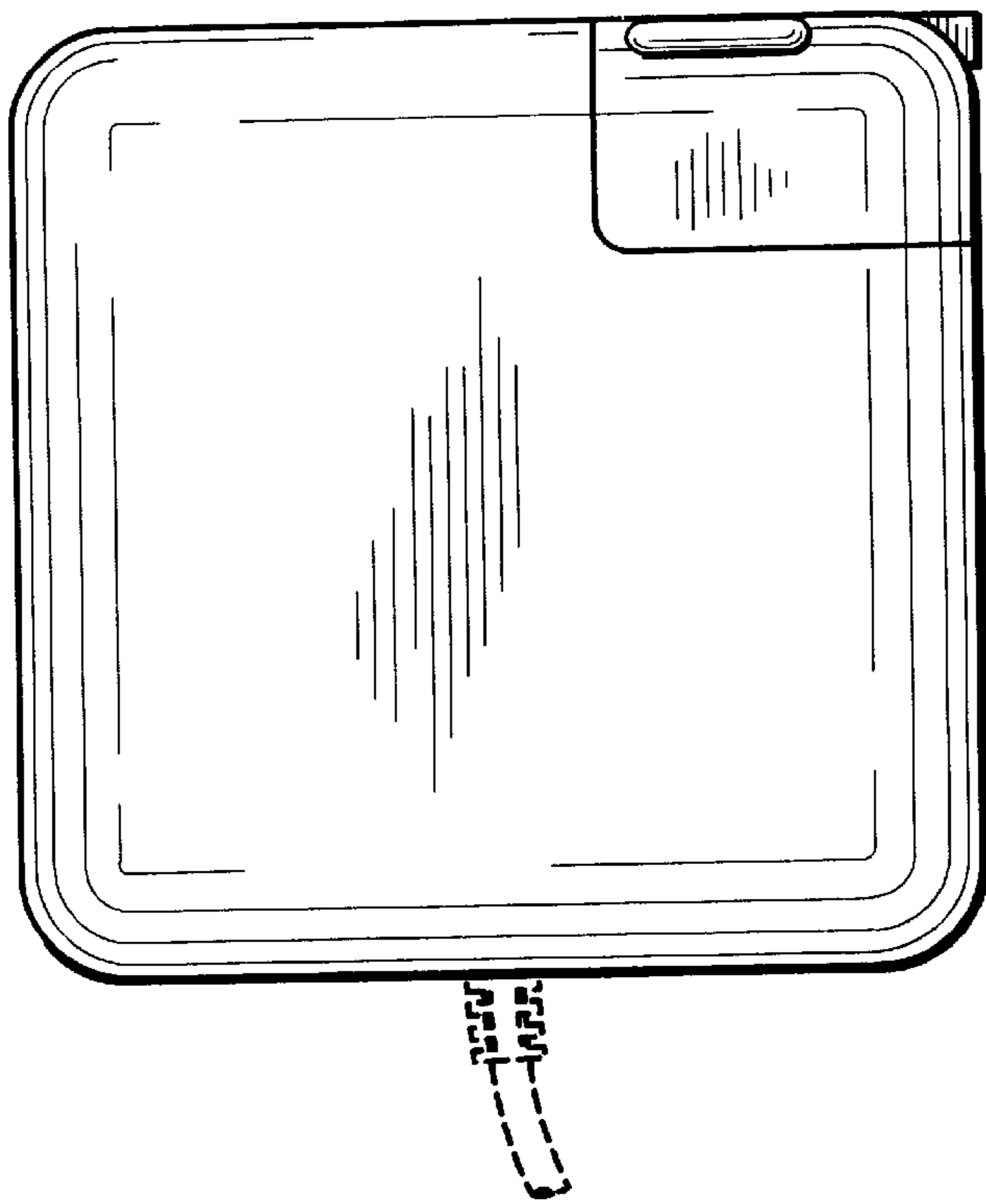


FIG. 4

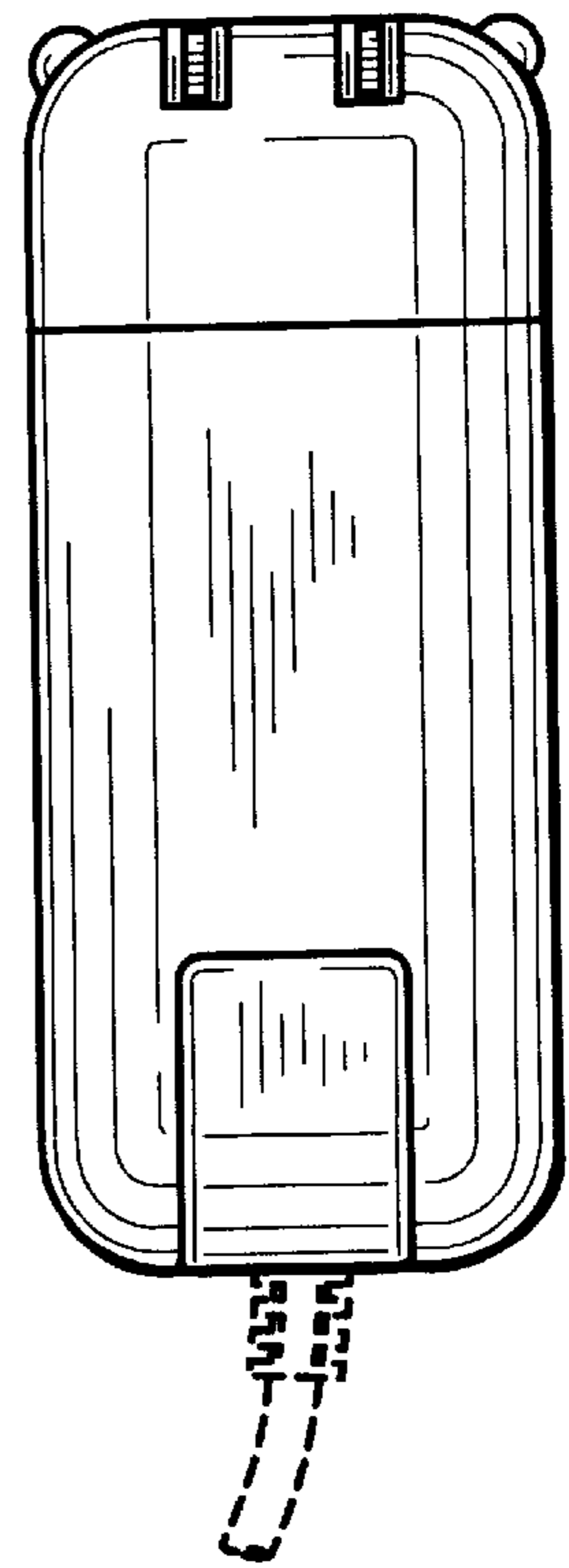


FIG. 5

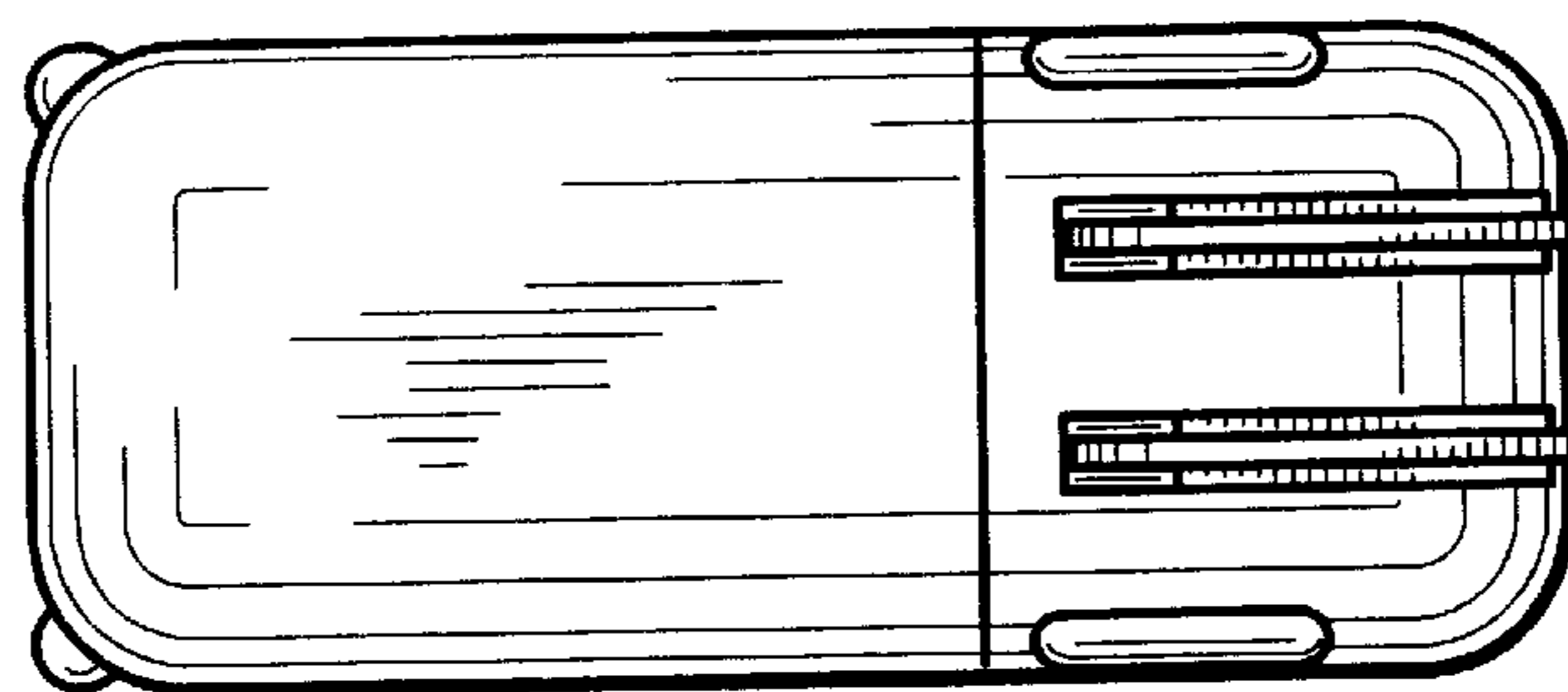


FIG. 6

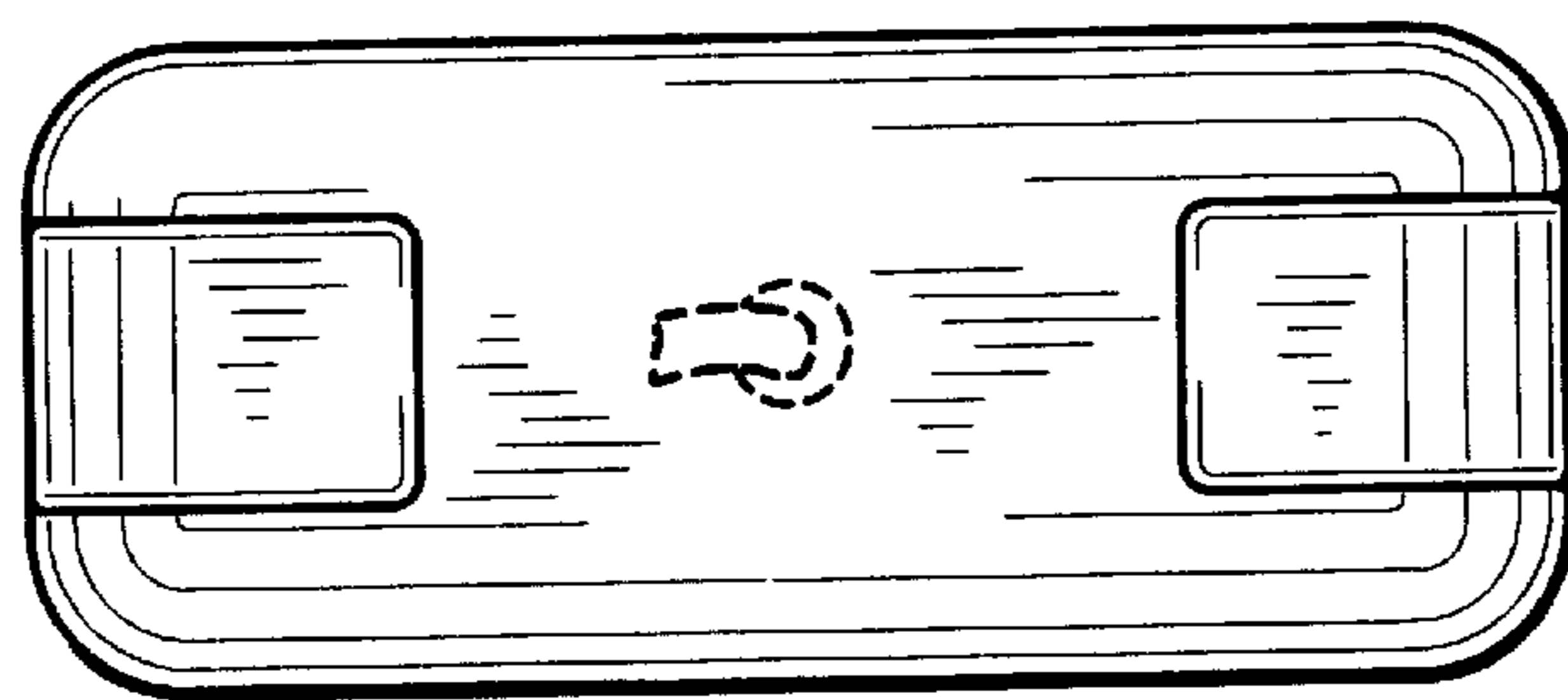


FIG. 7

FIG. 8

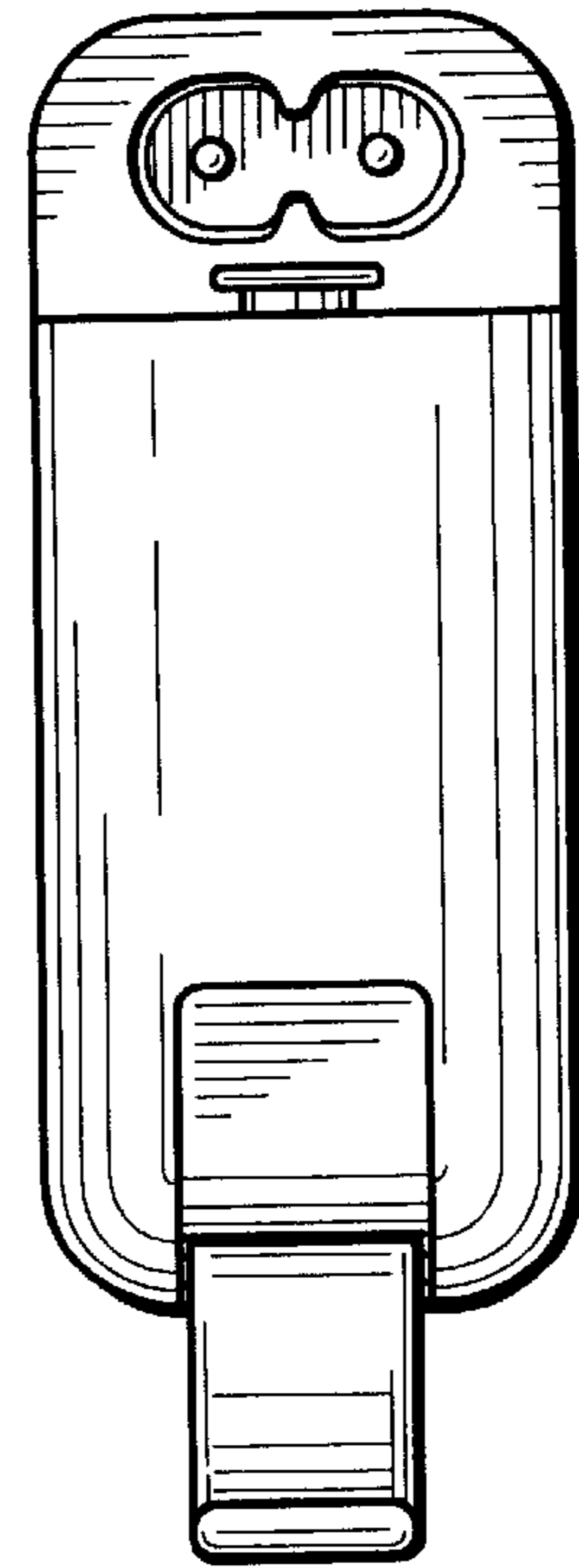
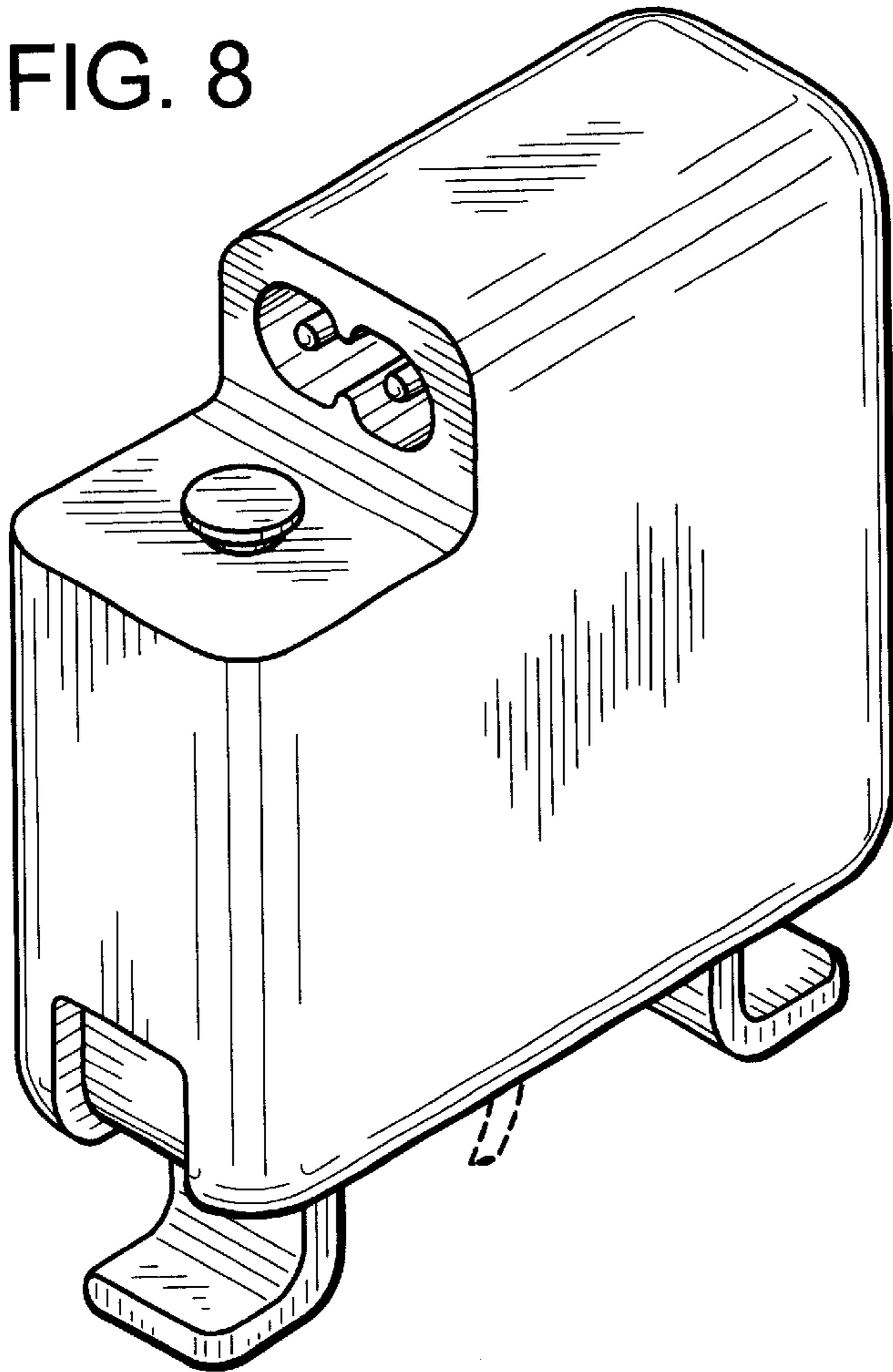
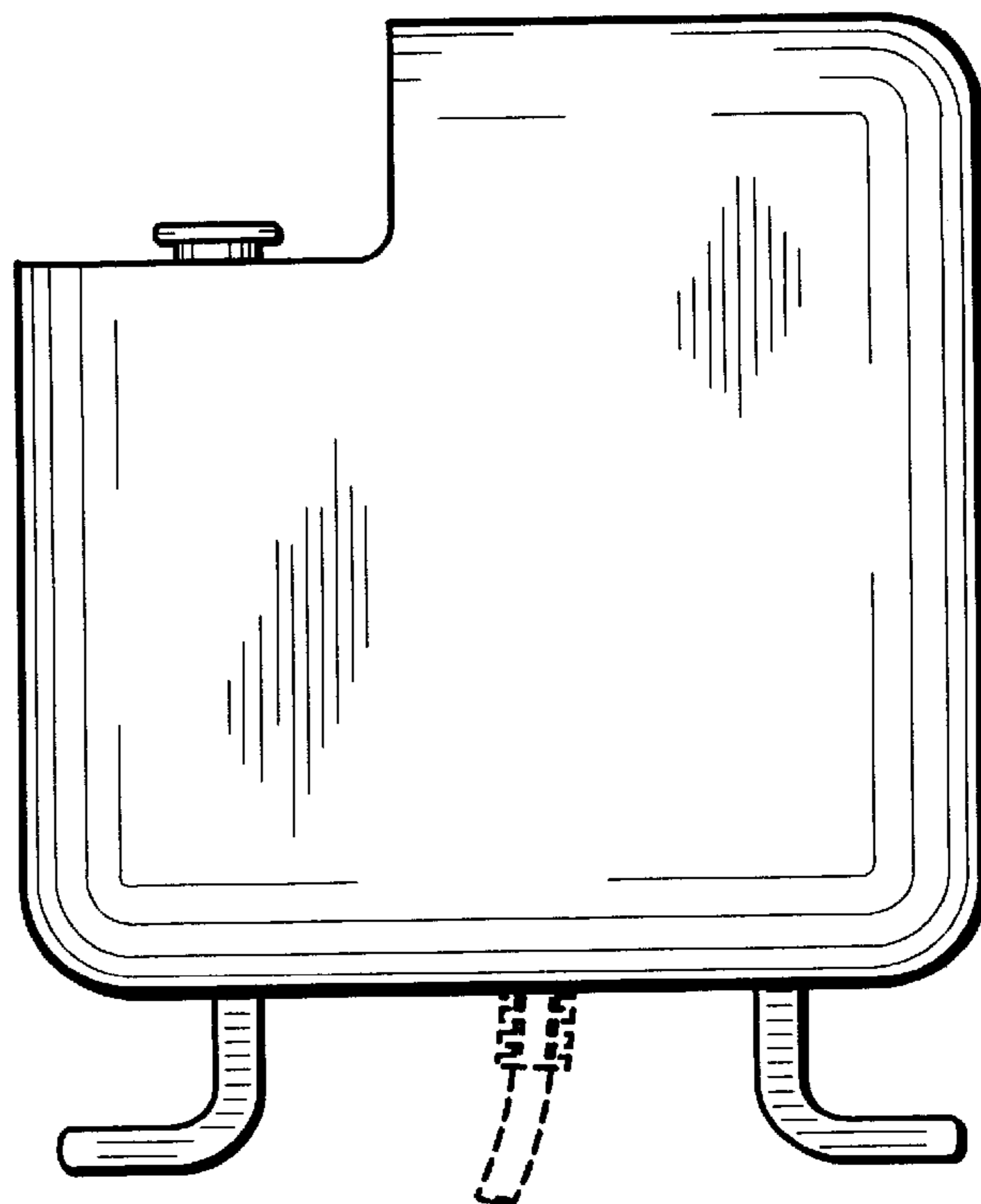


FIG. 9

FIG. 10



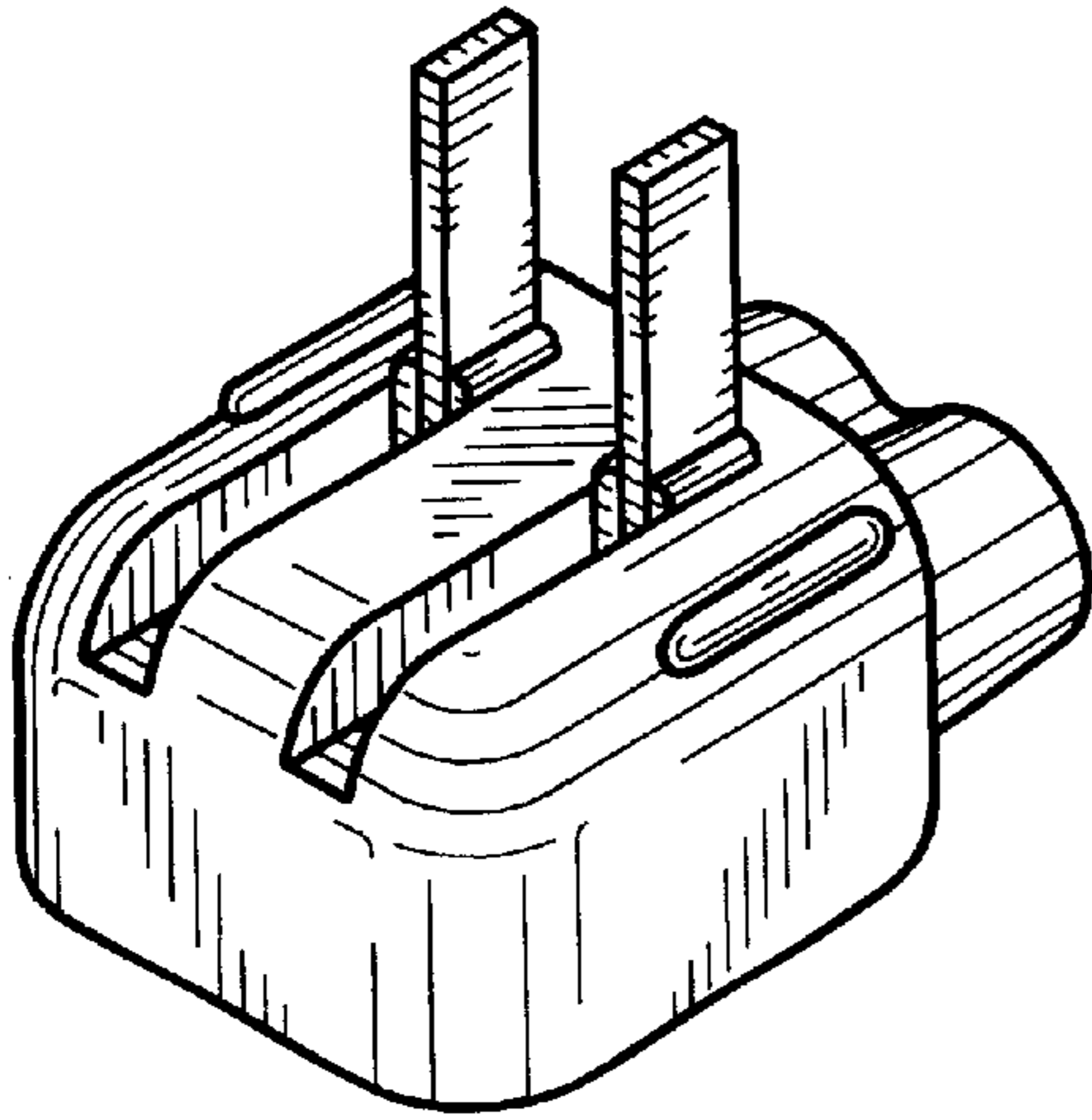


FIG. 11

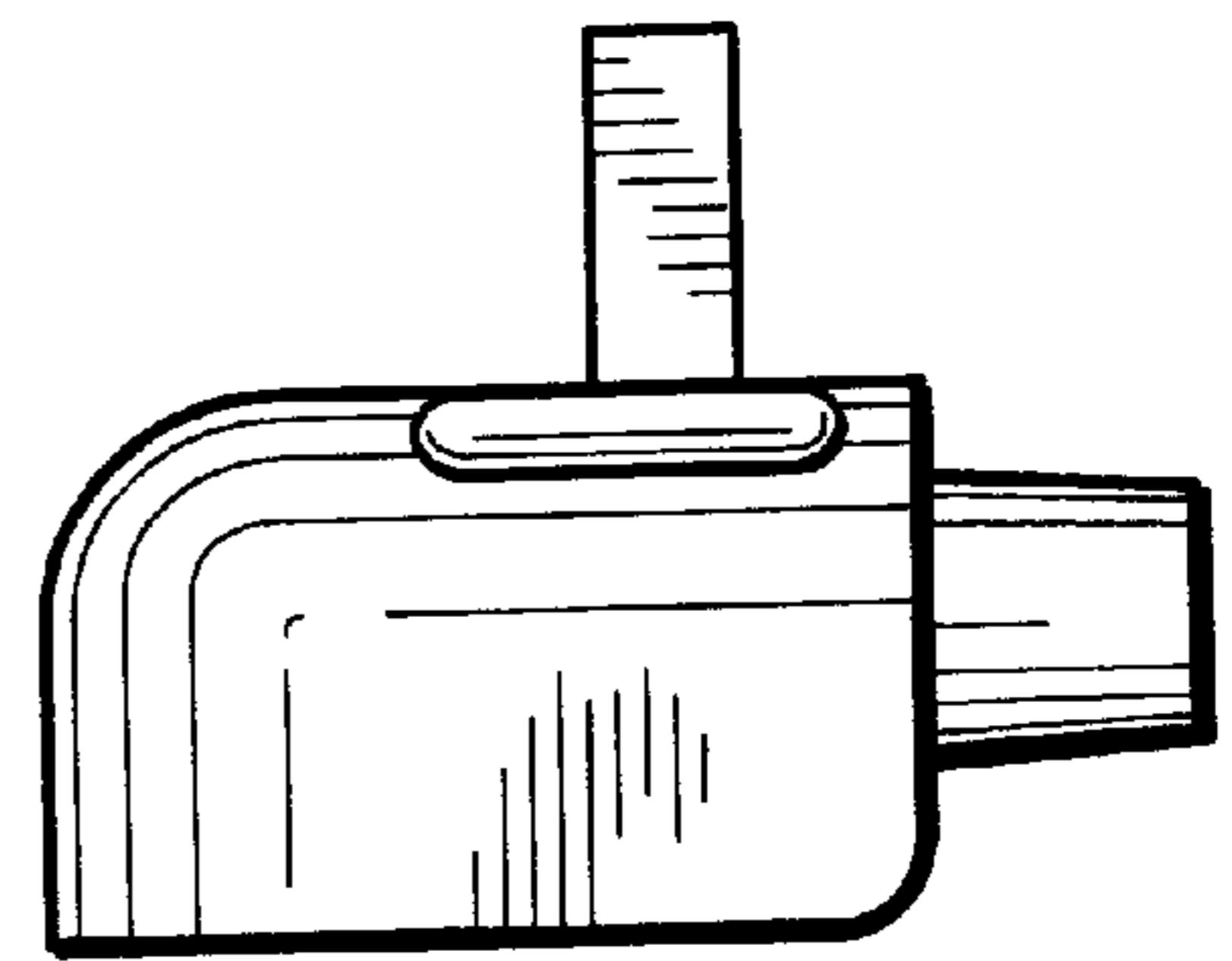


FIG. 12

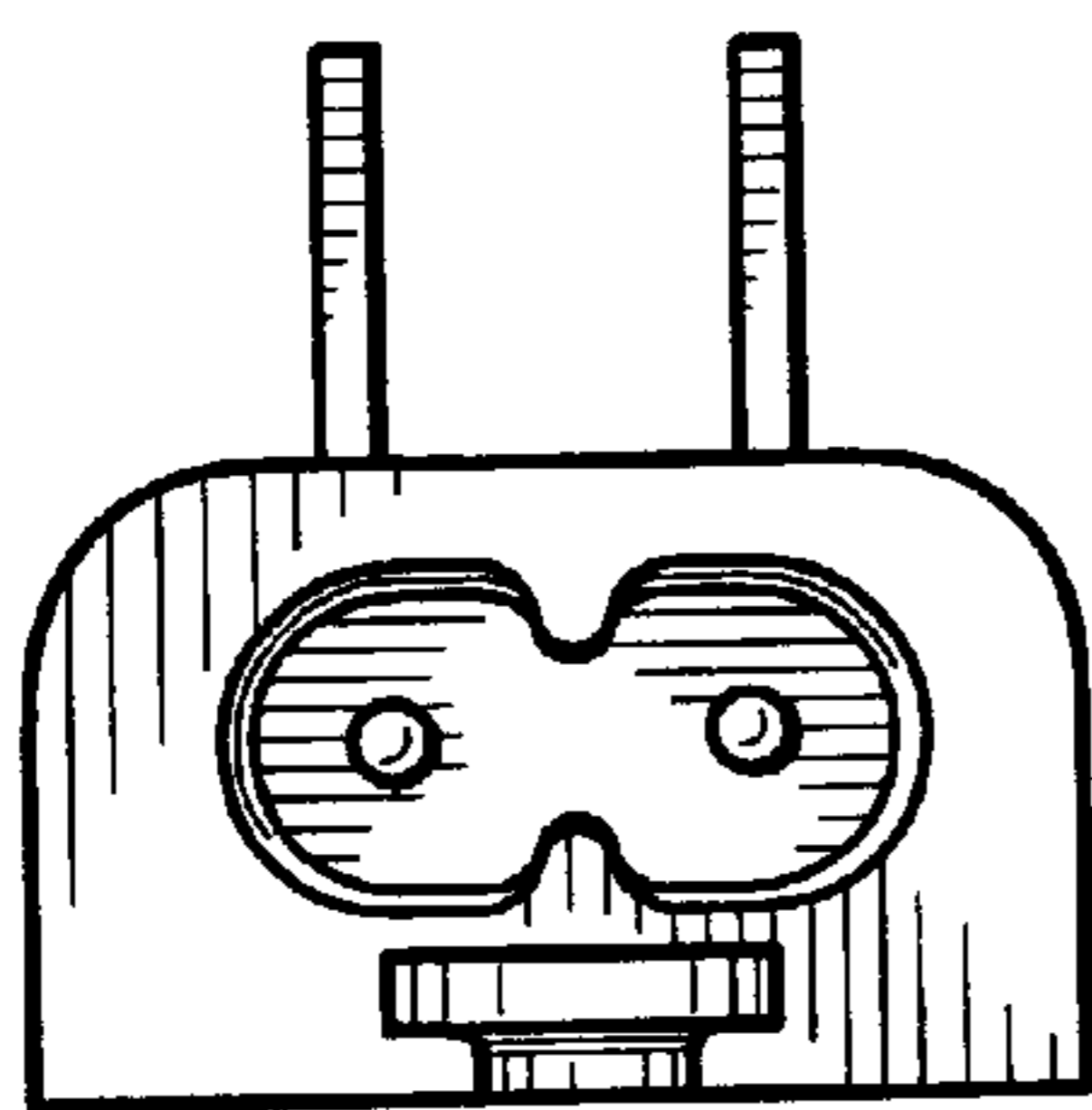


FIG. 13

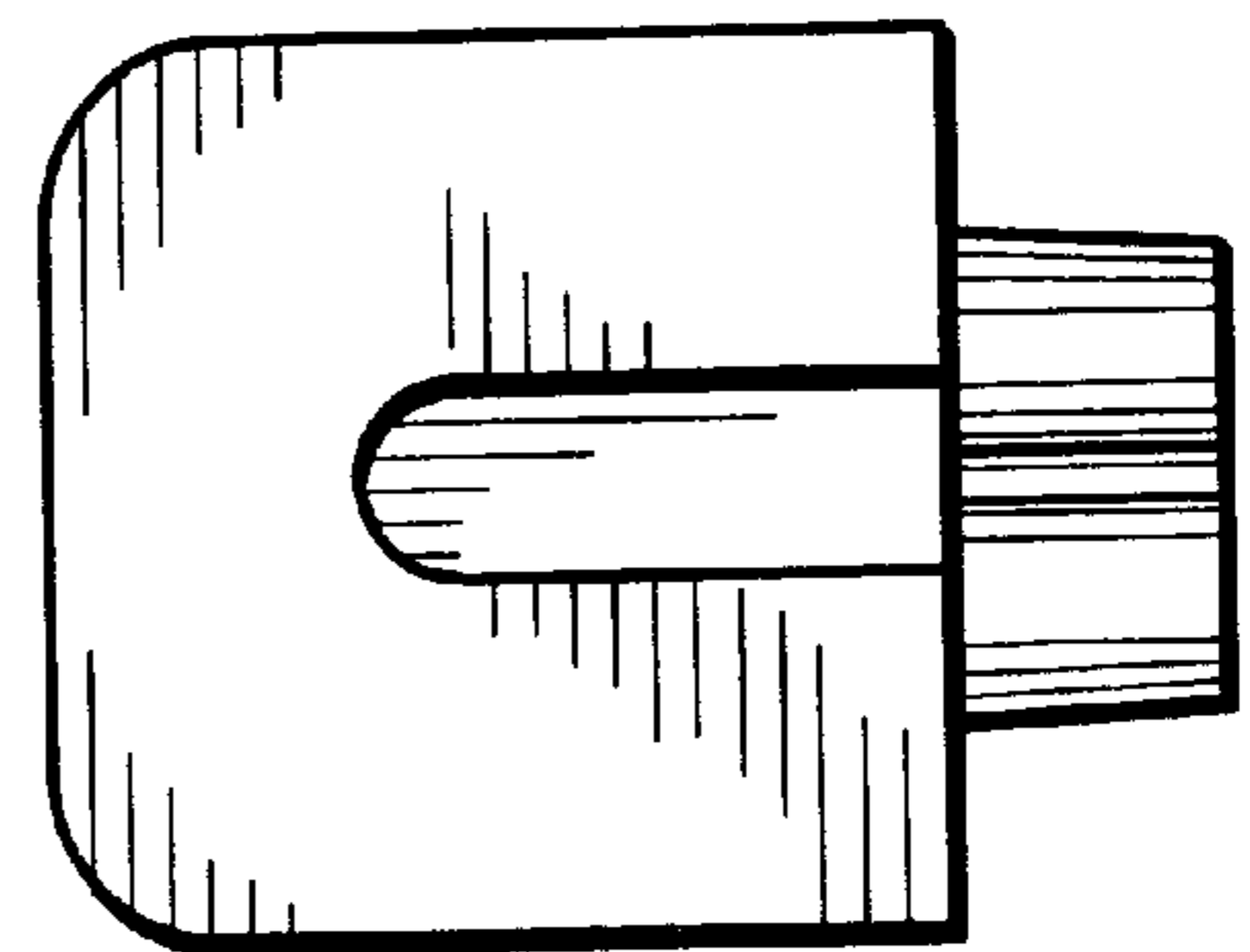


FIG. 14