



US00D478303S

(12) **United States Design Patent**
Iverson et al.

(10) **Patent No.:** **US D478,303 S**

(45) **Date of Patent:** **** Aug. 12, 2003**

(54) **VISOR FOR A MOTOR VEHICLE**

(75) Inventors: **Robert A. Iverson**, Eden Prairie, MN (US); **Jason P. Dunlap**, Crystal, MN (US); **Dustin W. Hoenigschmidt**, Ramsey, MN (US)

(73) Assignee: **Lund International, Inc.**, Anoka, MN (US)

(**) Term: **14 Years**

(21) Appl. No.: **29/161,579**

(22) Filed: **May 31, 2002**

(51) **LOC (7) Cl.** **12-16**

(52) **U.S. Cl.** **D12/191**

(58) **Field of Search** D12/191, 181-182, D12/190, 96-98; 296/180.1, 95.1, 97.1-97.9; 160/DIG. 3, 370.21-370.23

(56) **References Cited**

U.S. PATENT DOCUMENTS

D85,241 S	9/1931	Henderson
2,073,159 A	3/1937	Lintern et al.
2,236,846 A	4/1941	Davisson
2,475,901 A	7/1949	Kipp
D154,735 S	8/1949	Arbid
D154,861 S	8/1949	Manher
D156,479 S	12/1949	Bingman
D157,555 S	3/1950	Abrams
D159,144 S	6/1950	Dieterich
2,534,763 A	12/1950	Flavin
2,566,934 A	9/1951	Dieterich
2,567,501 A	9/1951	Zeis
2,599,809 A	6/1952	Branch
D167,676 S	9/1952	Chicorel
2,757,954 A	8/1956	Hurley
2,777,732 A	1/1957	Walsh

2,792,254 A	5/1957	Hagglund
2,793,705 A	5/1957	Garrity
3,015,517 A	1/1962	Thornburgh
3,022,848 A	2/1962	Heiser
D201,496 S	6/1965	Stef
3,214,216 A	10/1965	Brown

(List continued on next page.)

FOREIGN PATENT DOCUMENTS

FR	1096819	6/1955
FR	1121035	7/1956
GB	734743	8/1955
GB	829154	2/1960

OTHER PUBLICATIONS

Hot Rod, p. 96, dated Aug. 1975.
Volvo GM Heavy Truck Corporation publication, 8 pages, copyright 1987.

Primary Examiner—Stacia Cadmus
(74) *Attorney, Agent, or Firm*—Merchant & Gould P.C.

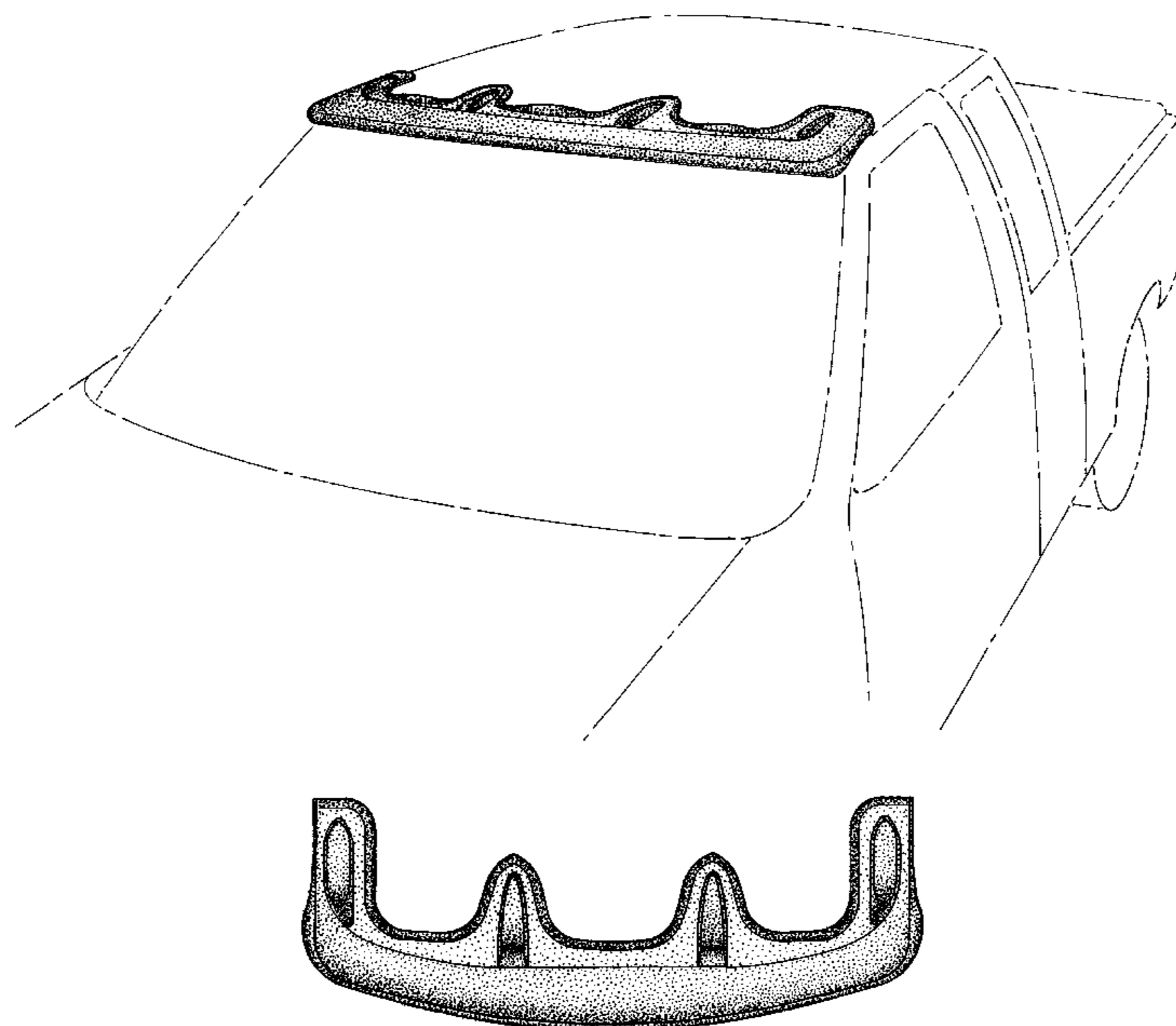
(57) **CLAIM**

The ornamental design for a visor for a motor vehicle, as shown and described.

DESCRIPTION

FIG. 1 is a perspective view of a visor according to the invention provided on a motor vehicle. It is pointed out that the motor vehicle is shown in phantom and forms no part of the claimed invention.
FIG. 2 is a top view of the visor shown in FIG. 1.
FIG. 3 is a front view of the visor shown in FIG. 1.
FIG. 4 is a side view of the visor shown in FIG. 1.
FIG. 5 is a bottom view of the visor shown in FIG. 1; and, FIG. 6 is a rear view of the visor shown in FIG. 1.

1 Claim, 3 Drawing Sheets



US D478,303 S

Page 2

U.S. PATENT DOCUMENTS

3,678,635 A	7/1972	Vagi et al.	4,819,136 A	4/1989	Ramsey	
3,695,674 A	10/1972	Baker	D300,918 S	5/1989	Turner	
3,728,537 A	4/1973	Barenyi et al.	D301,028 S	5/1989	Buck	
3,785,699 A	1/1974	Molaskey et al.	D301,450 S	6/1989	Kingsley	
3,815,700 A	6/1974	Mittendorf	4,842,320 A	6/1989	Kingsley	
D239,705 S	4/1976	Lund	D303,239 S	* 9/1989	Gempel et al.	D12/191
4,018,472 A	4/1977	Mason, Jr.	D303,948 S	* 10/1989	Bonstead et al.	D12/191
4,040,656 A	8/1977	Clenet	D304,819 S	11/1989	Chapman et al.	
4,043,587 A	8/1977	Giallourakis et al.	4,929,013 A	5/1990	Eke	
4,052,099 A	10/1977	Lowery et al.	4,966,404 A	10/1990	Lund	
4,063,773 A	12/1977	Modesette	D312,238 S	11/1990	Lund	
4,149,749 A	4/1979	Canal	D319,209 S	8/1991	Miller	
4,153,129 A	5/1979	Redmond	5,108,142 A	4/1992	Lund	
4,159,845 A	7/1979	Bratsberg	5,112,095 A	5/1992	Lund et al.	
D252,680 S	8/1979	Kingsley et al.	5,130,906 A	7/1992	Lund	
4,219,870 A	8/1980	Haraden et al.	D330,003 S	* 10/1992	Lund	D12/191
4,262,954 A	4/1981	Thompson	D330,358 S	* 10/1992	Spencer	D12/191
D261,500 S	10/1981	Butler	D330,359 S	* 10/1992	Addeo et al.	D12/191
4,320,919 A	3/1982	Butler	D330,533 S	* 10/1992	Orth, Sr. et al.	D12/191
4,412,698 A	11/1983	Kingsley	D330,534 S	* 10/1992	Fink	D12/191
D272,429 S	1/1984	Trombley et al.	5,184,866 A	2/1993	Dresen et al.	
D273,672 S	5/1984	Lund	D343,158 S	* 1/1994	Thomas, Jr. et al.	D12/191
4,471,991 A	9/1984	Matthias	D348,295 S	* 6/1994	Artman	D12/191
D283,120 S	3/1986	Trombley et al.	D360,176 S	7/1995	Onopa	
D283,611 S	4/1986	Kingsley	5,452,933 A	9/1995	Stanesic et al.	
D284,565 S	7/1986	Trombley et al.	5,522,634 A	6/1996	Stanesic et al.	
4,627,657 A	12/1986	Daniels et al.	D375,475 S	* 11/1996	Smiarowski	D12/191
D288,309 S	2/1987	Lund	5,636,892 A	6/1997	Gordon	
D288,310 S	2/1987	Lund	5,664,871 A	9/1997	Thompson	
D291,295 S	8/1987	Lund	D397,656 S	* 9/1998	Thompson et al.	D12/191
4,707,014 A	11/1987	Rich	5,851,044 A	12/1998	Lund	
4,726,619 A	2/1988	Haugestad	D413,846 S	* 9/1999	Lund	D12/191
4,758,040 A	7/1988	Kingsley et al.	6,099,065 A	8/2000	Lund	
4,776,627 A	10/1988	Hutto et al.	6,367,860 B1	4/2002	Lund	
D299,713 S	2/1989	Dunham				

* cited by examiner

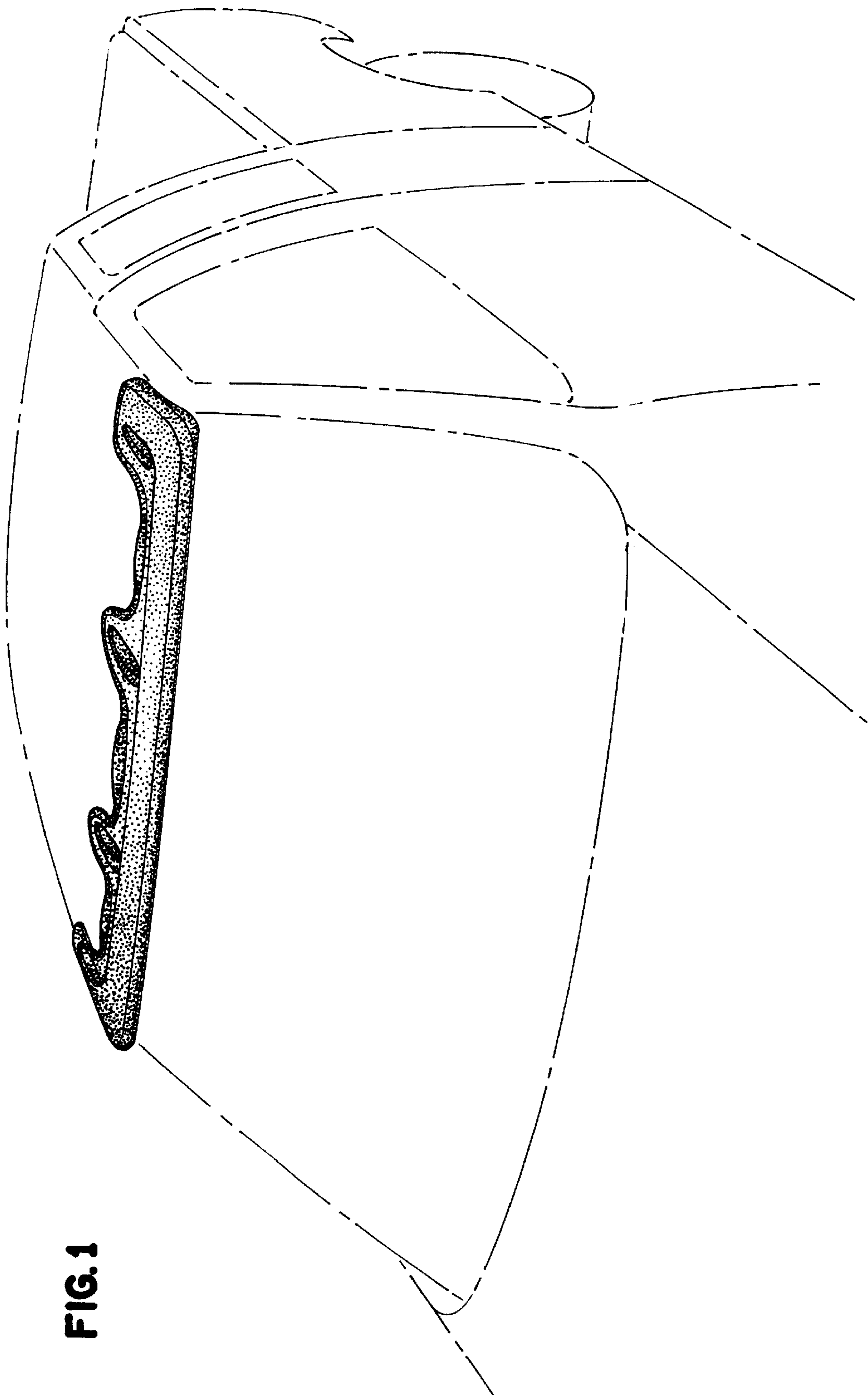


FIG. 1

FIG. 4

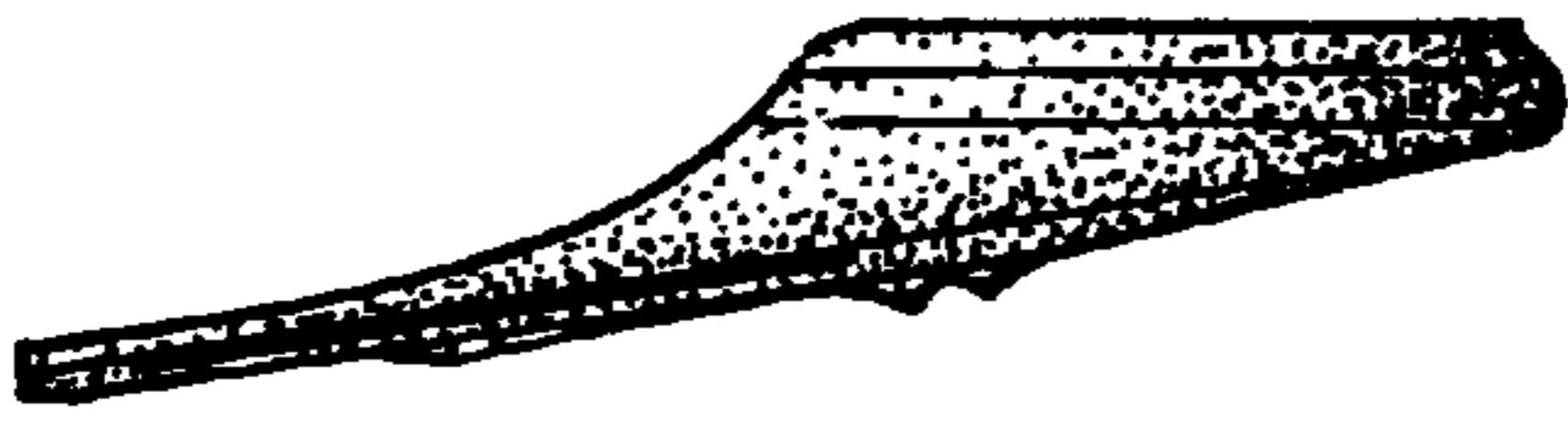


FIG. 2

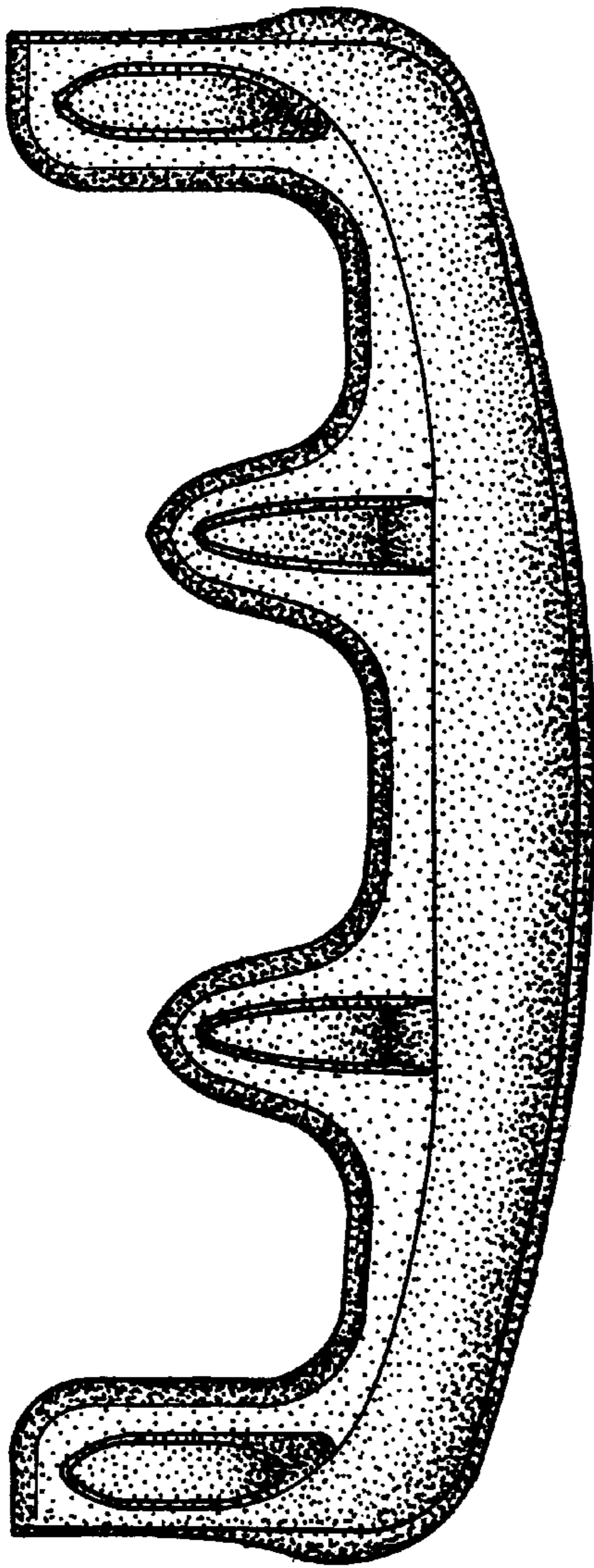


FIG. 3

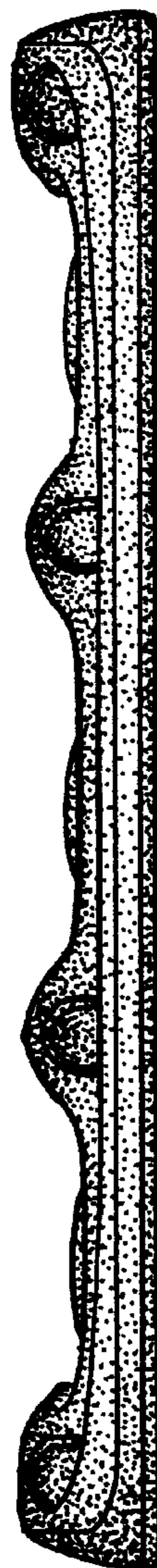


FIG. 5

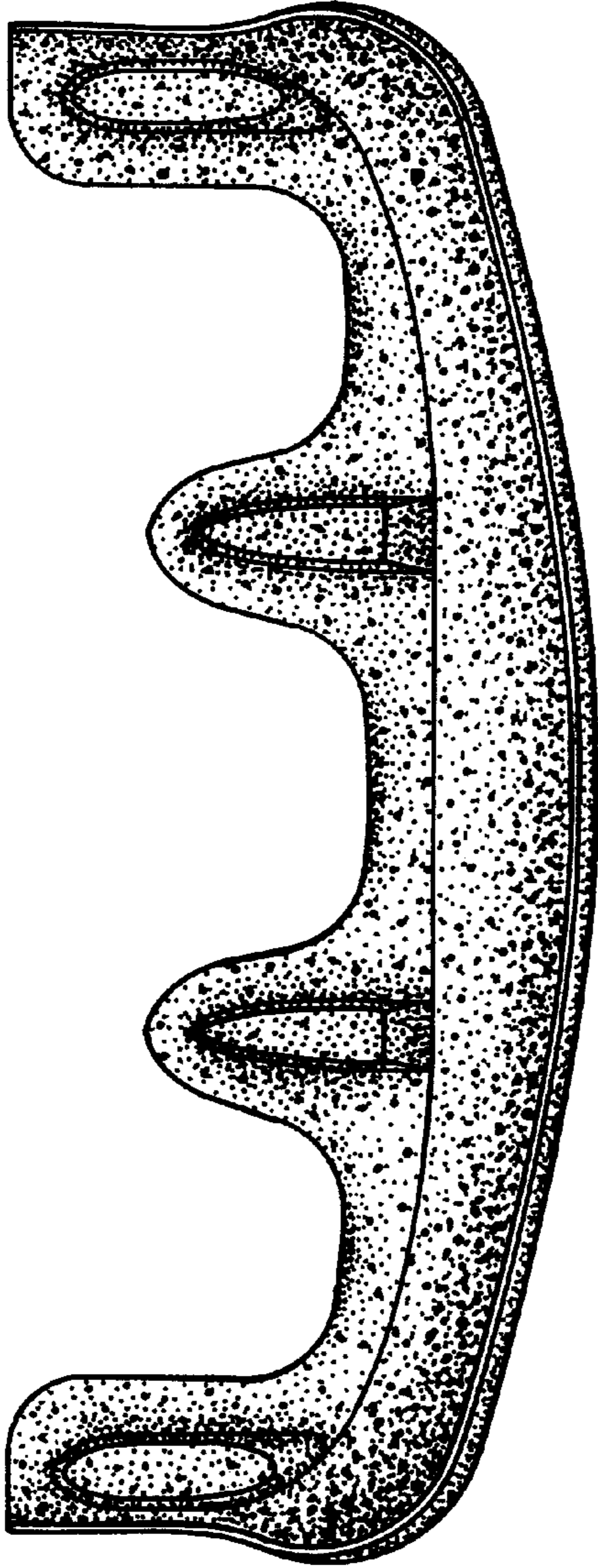


FIG. 6

