



US00D478302S

(12) **United States Design Patent**  
**Chiang**

(10) **Patent No.:** **US D478,302 S**

(45) **Date of Patent:** **\*\* Aug. 12, 2003**

(54) **ENGINE HOOD FOR AUTOMOBILES**

D446,175 S \* 8/2001 Hoyle, Jr. .... D12/173  
D446,176 S \* 8/2001 Akashi et al. .... D12/173

(75) Inventor: **Tommy Chiang**, Taipei (TW)

\* cited by examiner

(73) Assignee: **Grand HC Auto Tooling Corp.**, Taipei (TW)

*Primary Examiner*—Melody N. Brown  
(74) *Attorney, Agent, or Firm*—Leong C. Lei

(\*\*) Term: **14 Years**

(57) **CLAIM**

(21) Appl. No.: **29/171,413**

The ornamental design for engine hood for automobiles, as shown and described.

(22) Filed: **Nov. 22, 2002**

(51) **LOC (7) Cl.** ..... **12-16**

(52) **U.S. Cl.** ..... **D12/173**

(58) **Field of Search** ..... D12/173, 90-92,  
D12/196; 180/69.2, 69.21, 69.22

**DESCRIPTION**

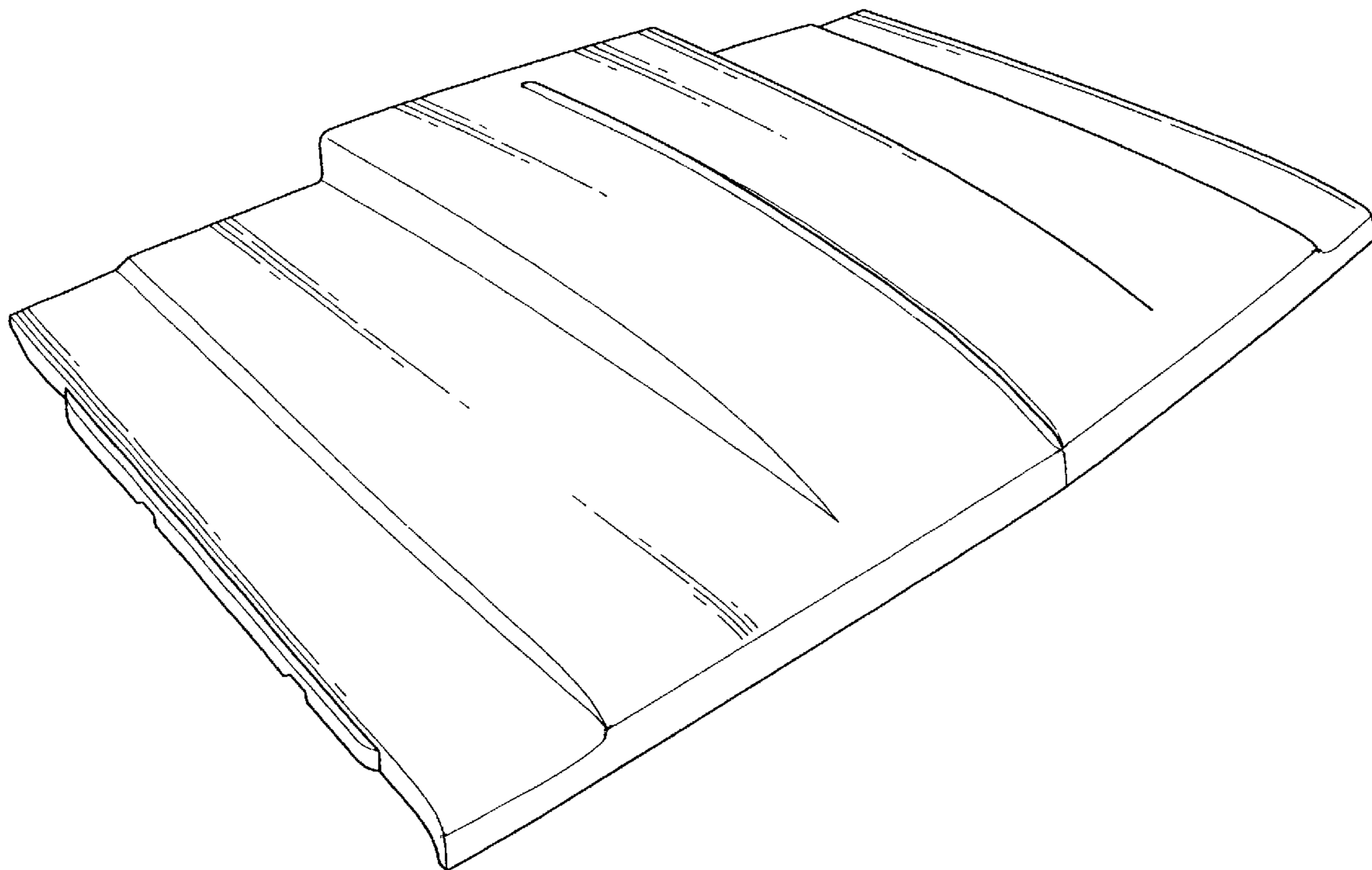
FIG. 1 is perspective view of engine hood for automobiles showing my new design;  
FIG. 2 is a front side elevation view thereof;  
FIG. 3 is a rear side elevation view thereof;  
FIG. 4 is a left side elevation view thereof;  
FIG. 5 is a right side elevation view thereof;  
FIG. 6 is a top plan view thereof; and,  
FIG. 7 is a bottom plan view thereof.

(56) **References Cited**

**U.S. PATENT DOCUMENTS**

D427,122 S \* 6/2000 Hoyle, Jr. .... D12/173  
D430,084 S \* 8/2000 Hoyle, Jr. .... D12/173  
D433,359 S \* 11/2000 Hoyle, Jr. .... D12/173

**1 Claim, 5 Drawing Sheets**



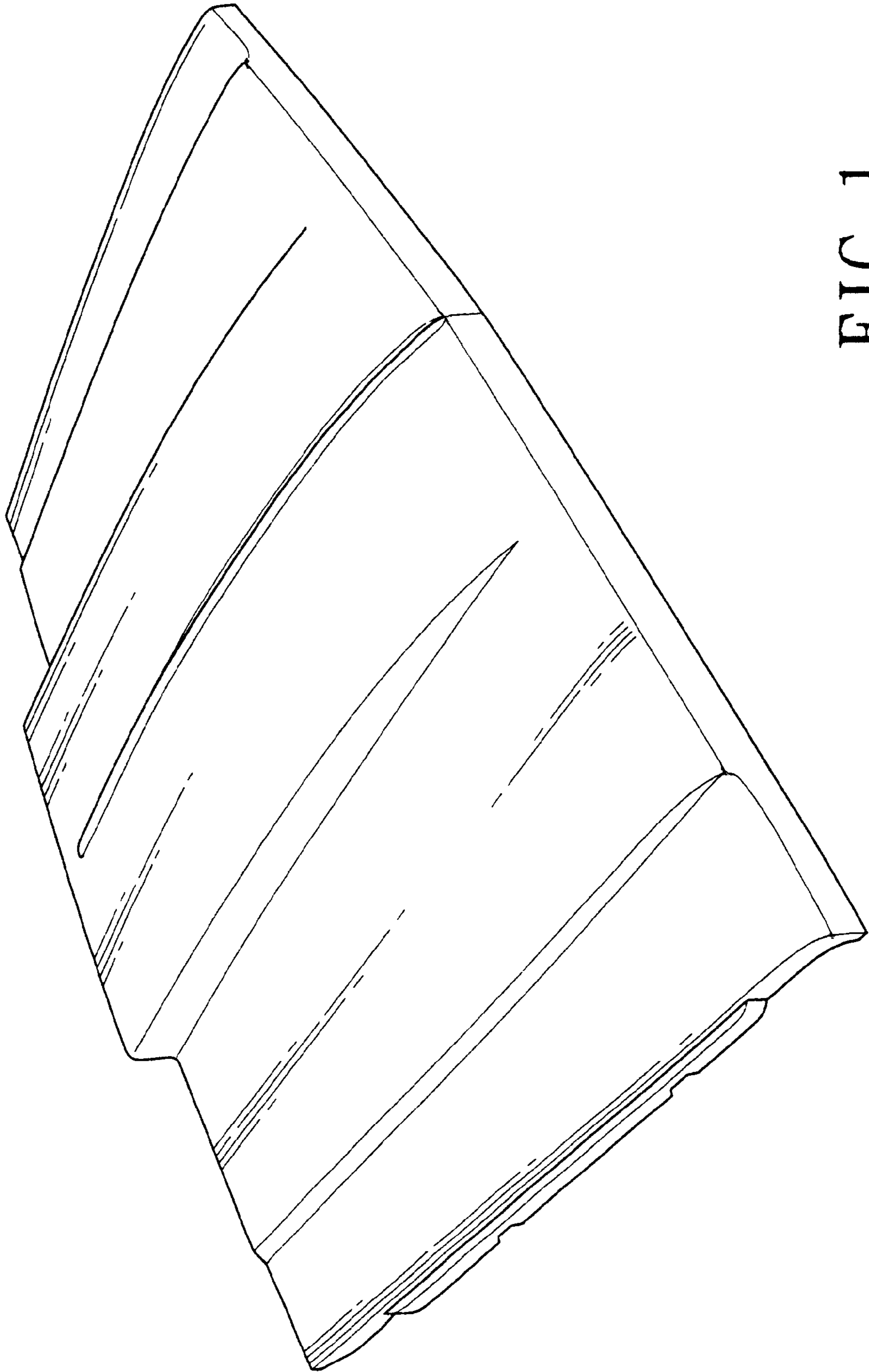


FIG. 1

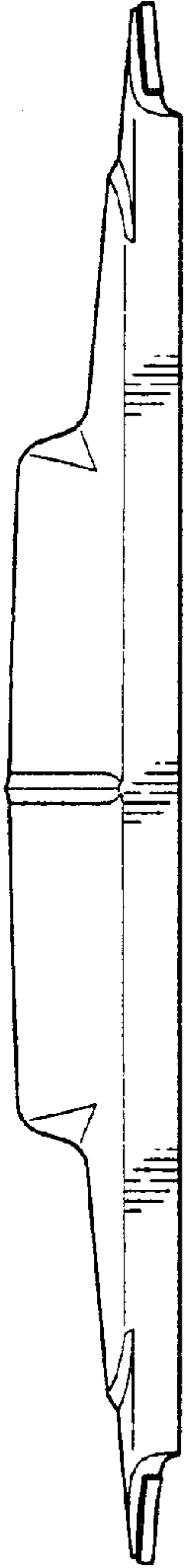


FIG. 2

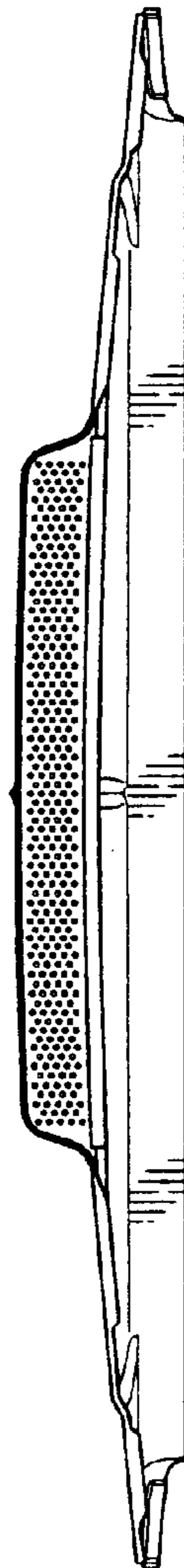


FIG. 3



FIG. 4

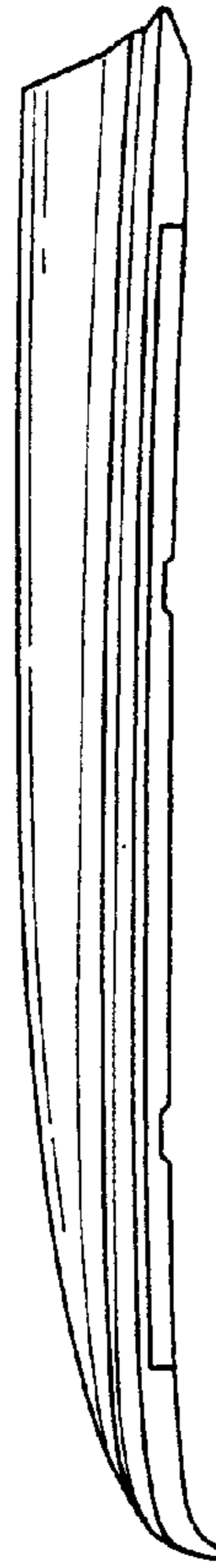


FIG. 5

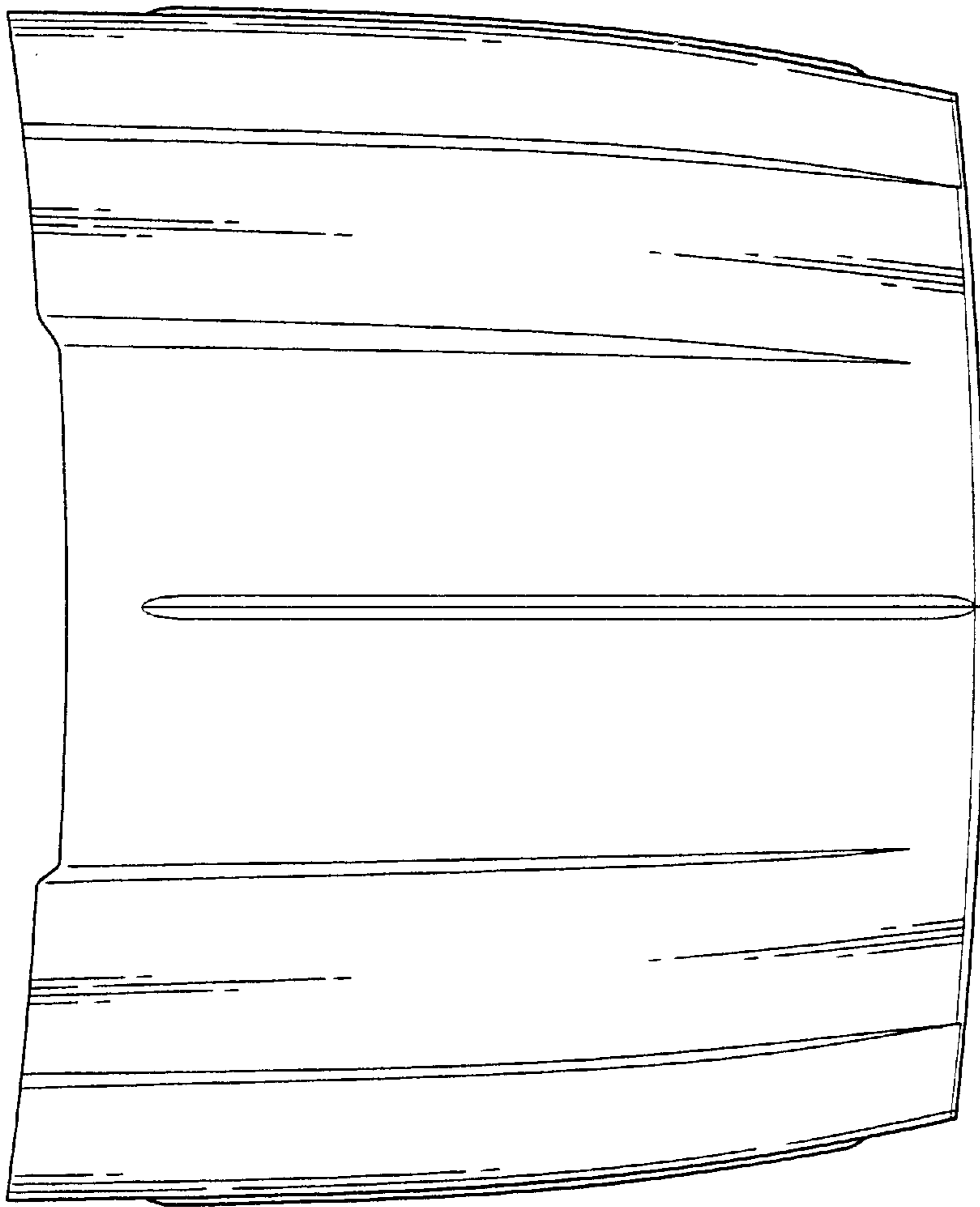


FIG. 6

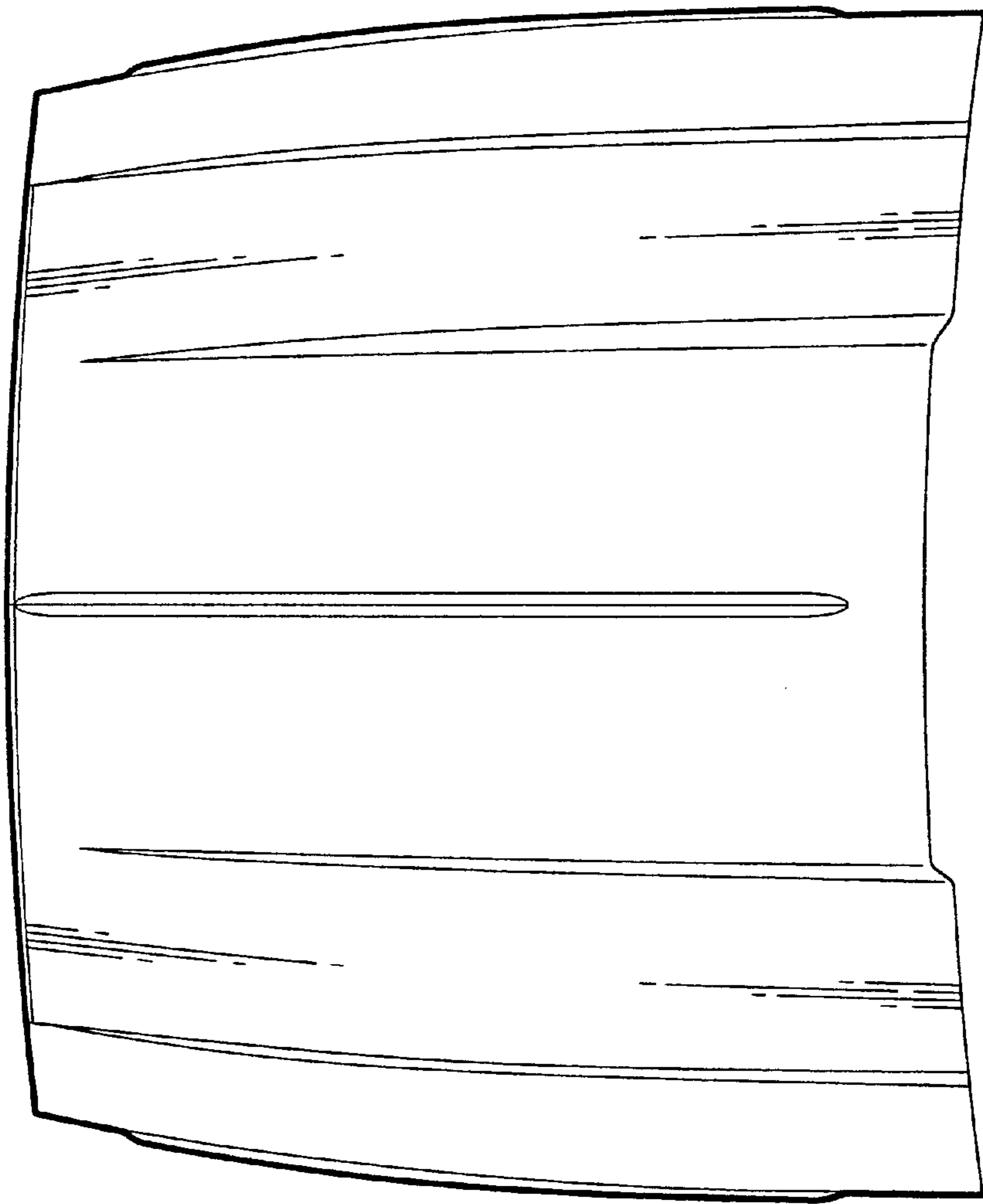


FIG. 7