



US00D478298S

(12) **United States Design Patent**
Mallette et al.

(10) **Patent No.:** **US D478,298 S**

(45) **Date of Patent:** **** Aug. 12, 2003**

(54) **SKI LEG**

(75) Inventors: **Bertrand Mallette**, Rock-Forest (CA);
Mario Côté, Bedford (CA)

(73) Assignee: **Bombardier Inc.**, Valcourt (CA)

(**) Term: **14 Years**

(21) Appl. No.: **29/165,906**

(22) Filed: **Jul. 26, 2002**

Related U.S. Application Data

(62) Division of application No. 29/132,698, filed on Nov. 14, 2000, now Pat. No. Des. 465,744.

(51) **LOC (7) Cl.** **12-14**

(52) **U.S. Cl.** **D12/7**

(58) **Field of Search** D12/7, 174, 179;
180/182, 184, 186, 190; 280/28

(56) **References Cited**

U.S. PATENT DOCUMENTS

3,809,172	A	*	5/1974	Hendrickson et al.	280/26
3,835,947	A	*	9/1974	Alexander, Jr.	280/21.1
4,489,954	A	*	12/1984	Yasui et al.	280/21.1
4,690,234	A	*	9/1987	Takada	180/182
4,869,336	A	*	9/1989	Nakasaki et al.	180/196
D359,543	S	*	6/1995	Tiramaui	D21/760
D372,189	S	*	7/1996	Andis et al.	D8/373
D373,719	S	*	9/1996	Lin	D8/373
5,996,717	A	*	12/1999	Hisadomi	180/182
6,039,136	A	*	3/2000	Kanan	180/182
6,102,413	A	*	8/2000	Khennache et al.	280/28

OTHER PUBLICATIONS

Custom Chrome 1998 Catalog. p. 10.65—rear mount at center-left.*

* cited by examiner

Primary Examiner—Nelson C. Holtje

(74) *Attorney, Agent, or Firm*—Pillsbury Winthrop LLP

(57) **CLAIM**

The ornamental design for a ski leg, as shown and described.

DESCRIPTION

FIG. 1 is a perspective illustration, from the front and left side, of a first embodiment of the ski leg of our design;

FIG. 2 is a left side view thereof;

FIG. 3 is a right side view thereof;

FIG. 4 is a front view thereof;

FIG. 5 is a rear view thereof;

FIG. 6 is a top view thereof;

FIG. 7 is a bottom view thereof;

FIG. 8 is a perspective illustration, from the front and left side, of a second embodiment of the ski leg of our design;

FIG. 9 is a left side view thereof;

FIG. 10 is a right side view thereof;

FIG. 11 is a front view thereof;

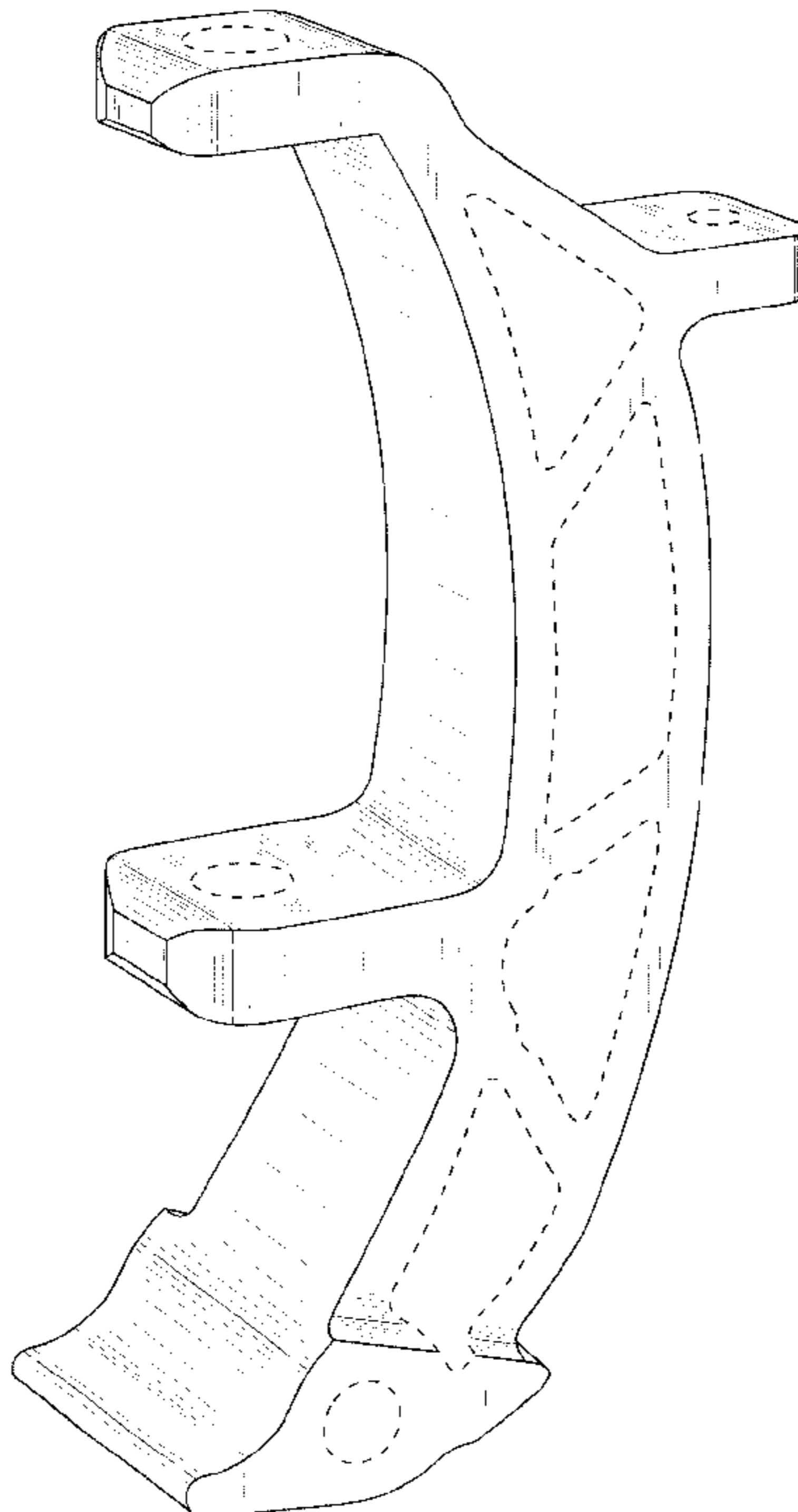
FIG. 12 is a rear view thereof;

FIG. 13 is a top view thereof; and,

FIG. 14 is a bottom view thereof.

Where included, broken lines showing structure are for illustrative purposes only and form no part of the claimed design.

1 Claim, 14 Drawing Sheets



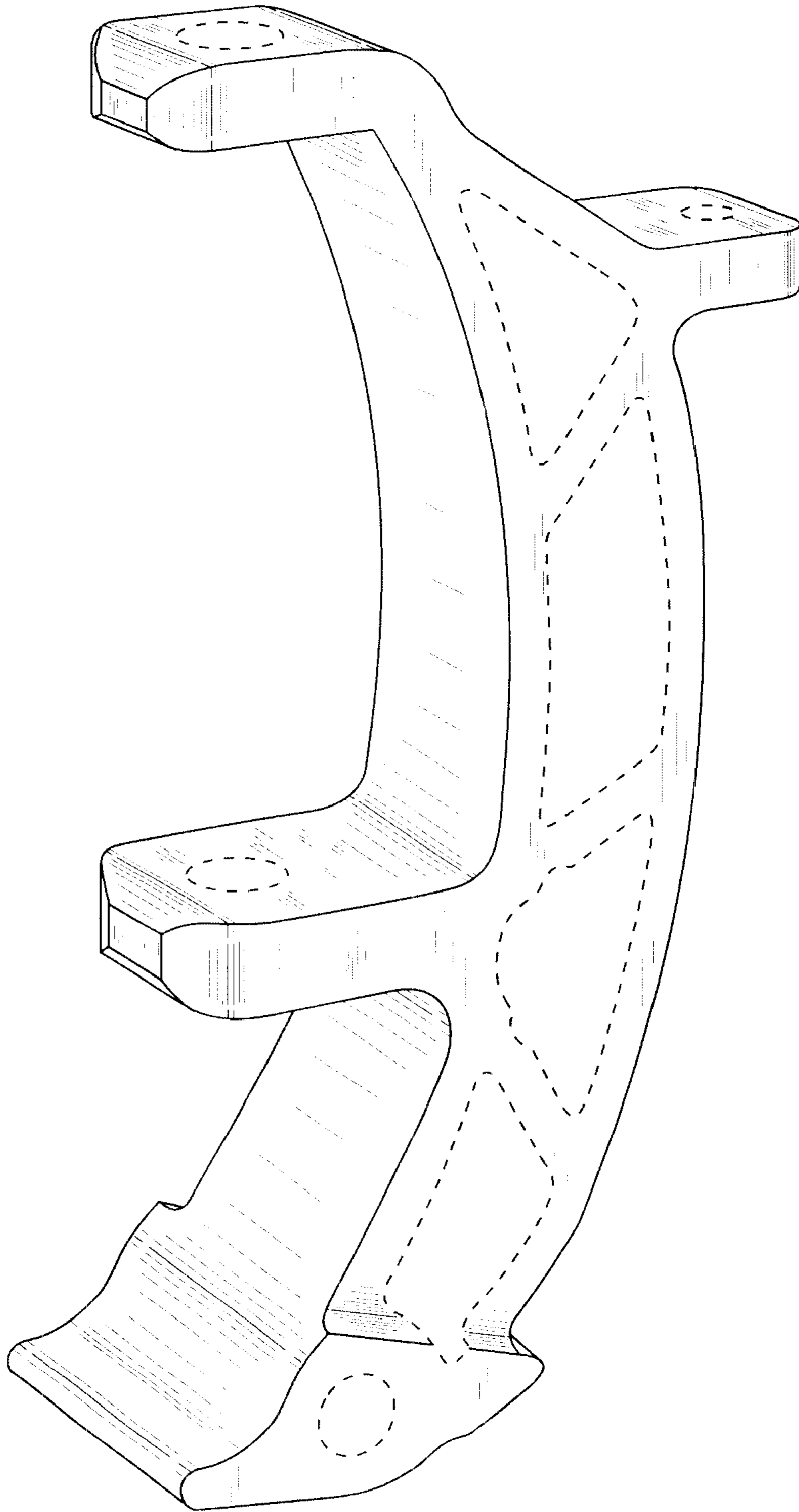


FIG. 1

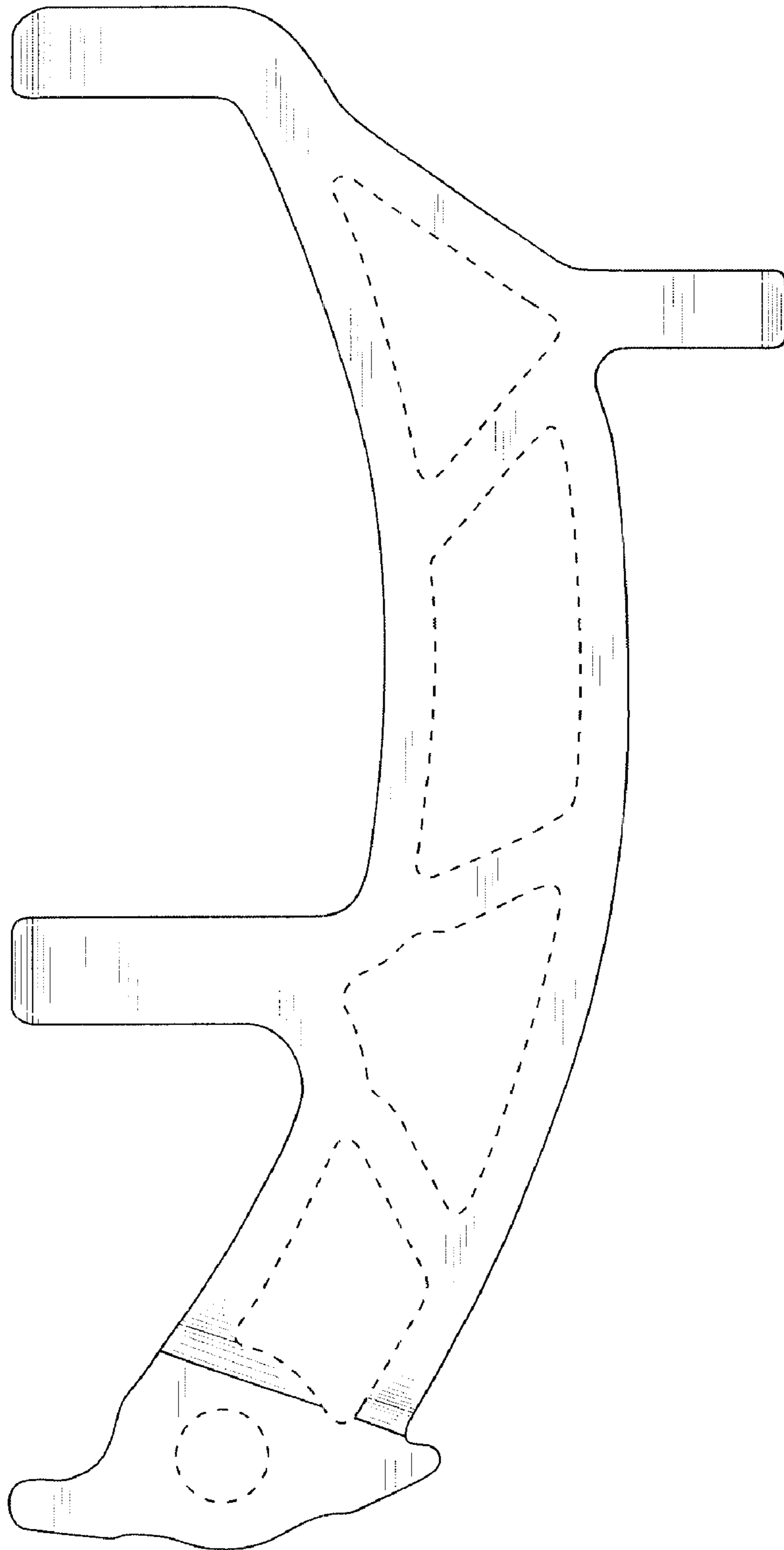


FIG. 2

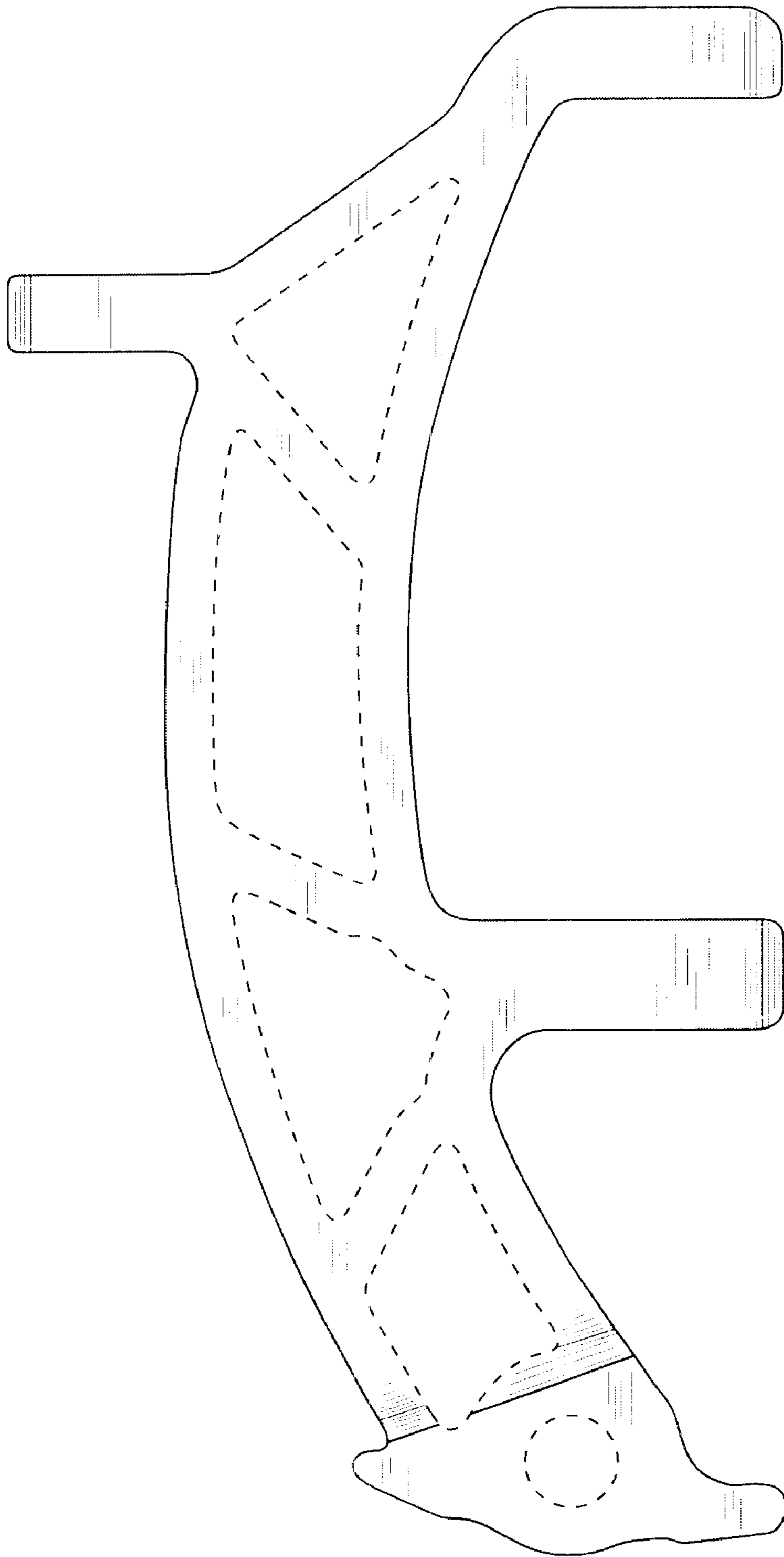


FIG. 3

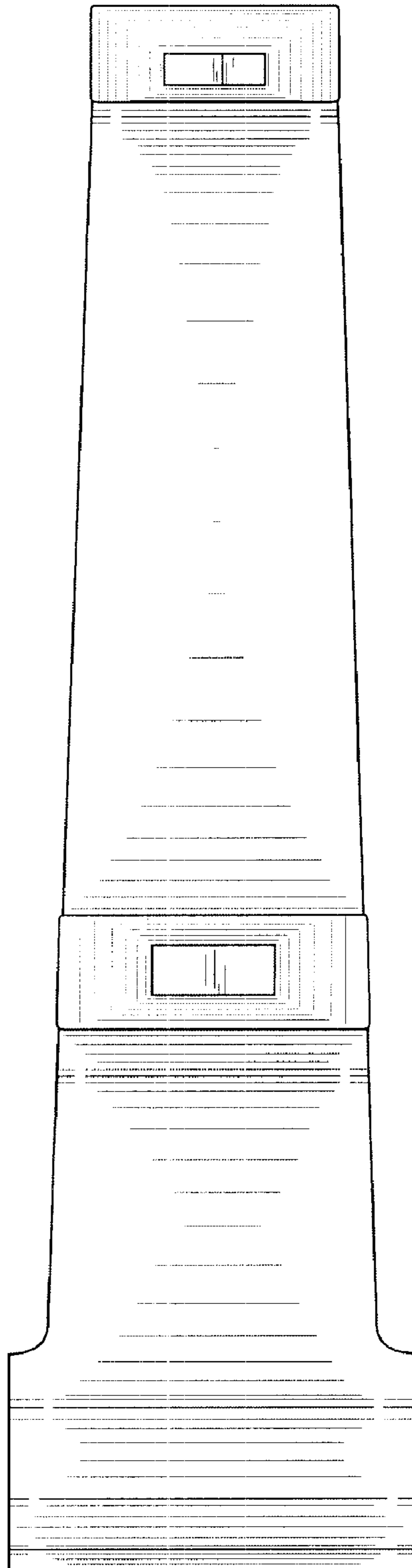


FIG. 4

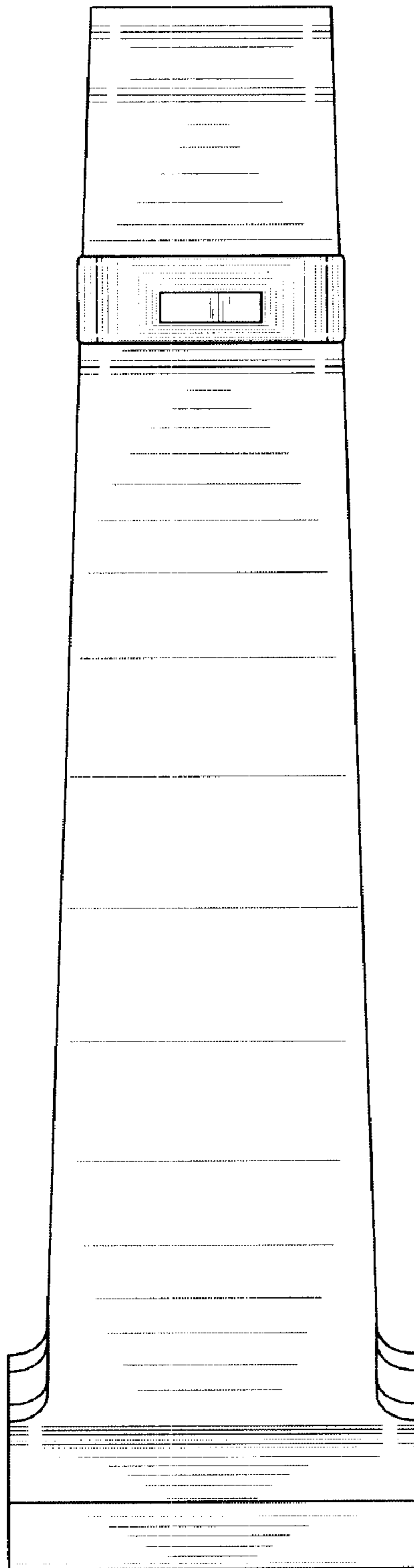


FIG. 5

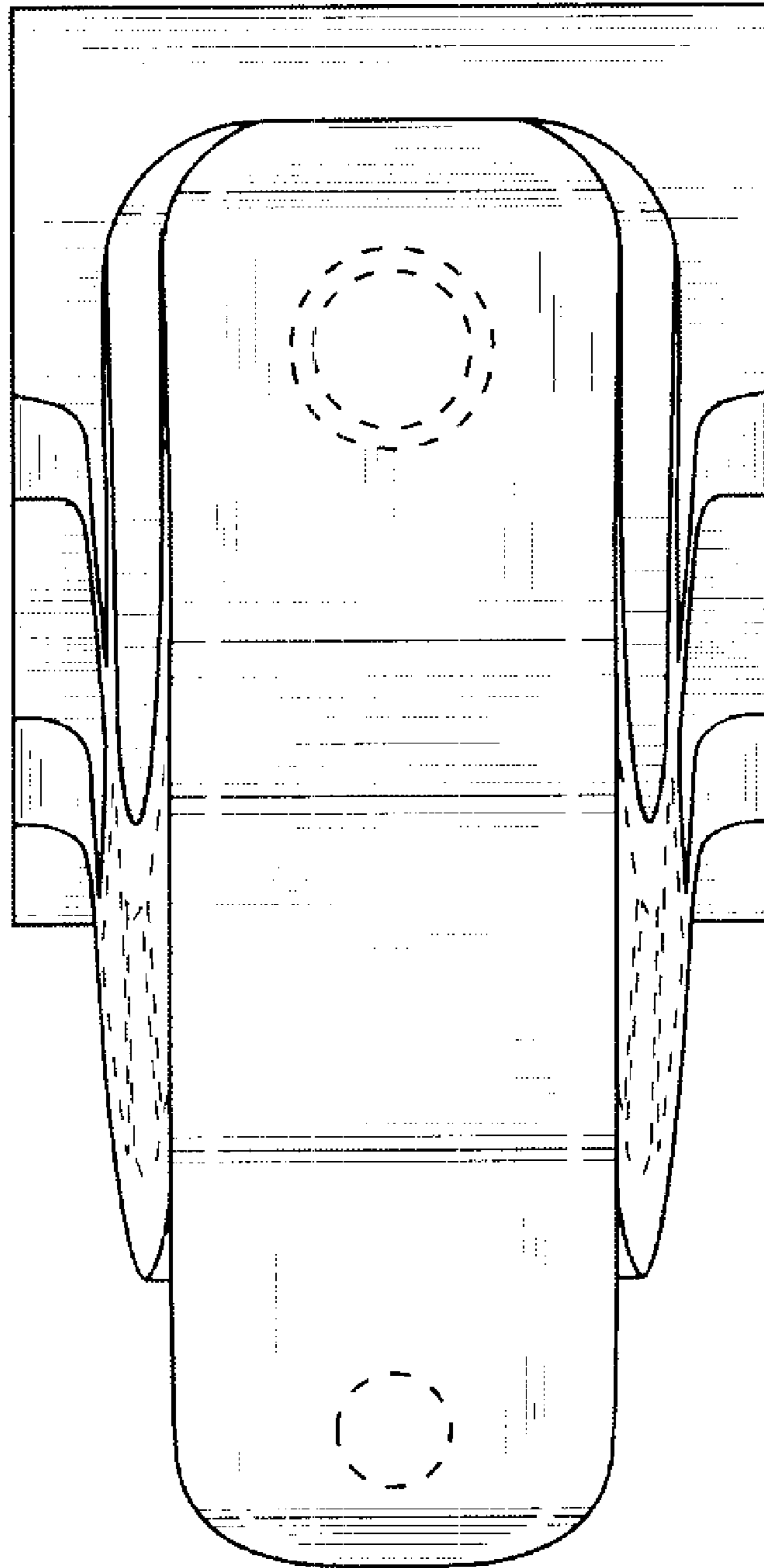


FIG. 6

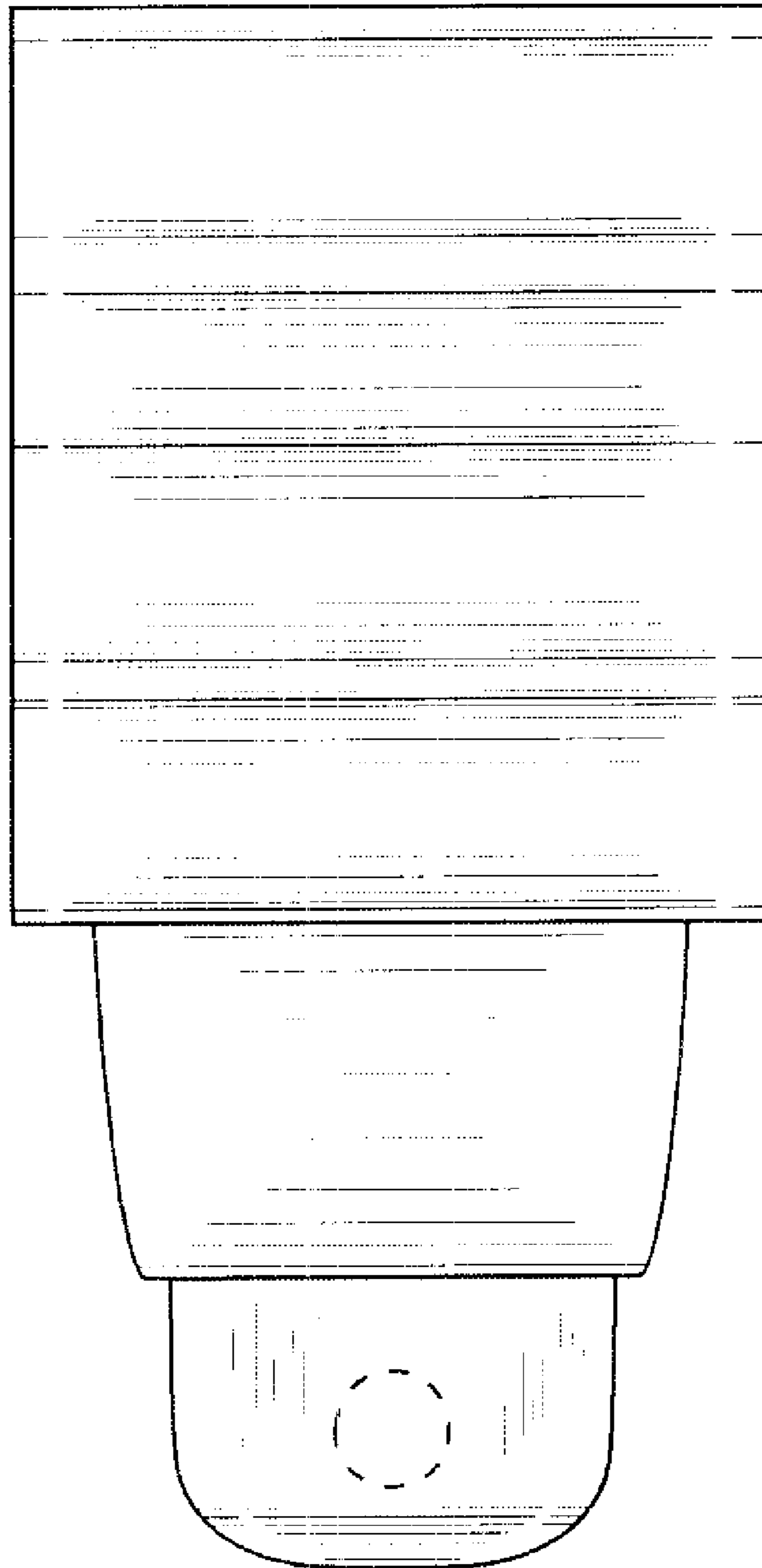


FIG. 7

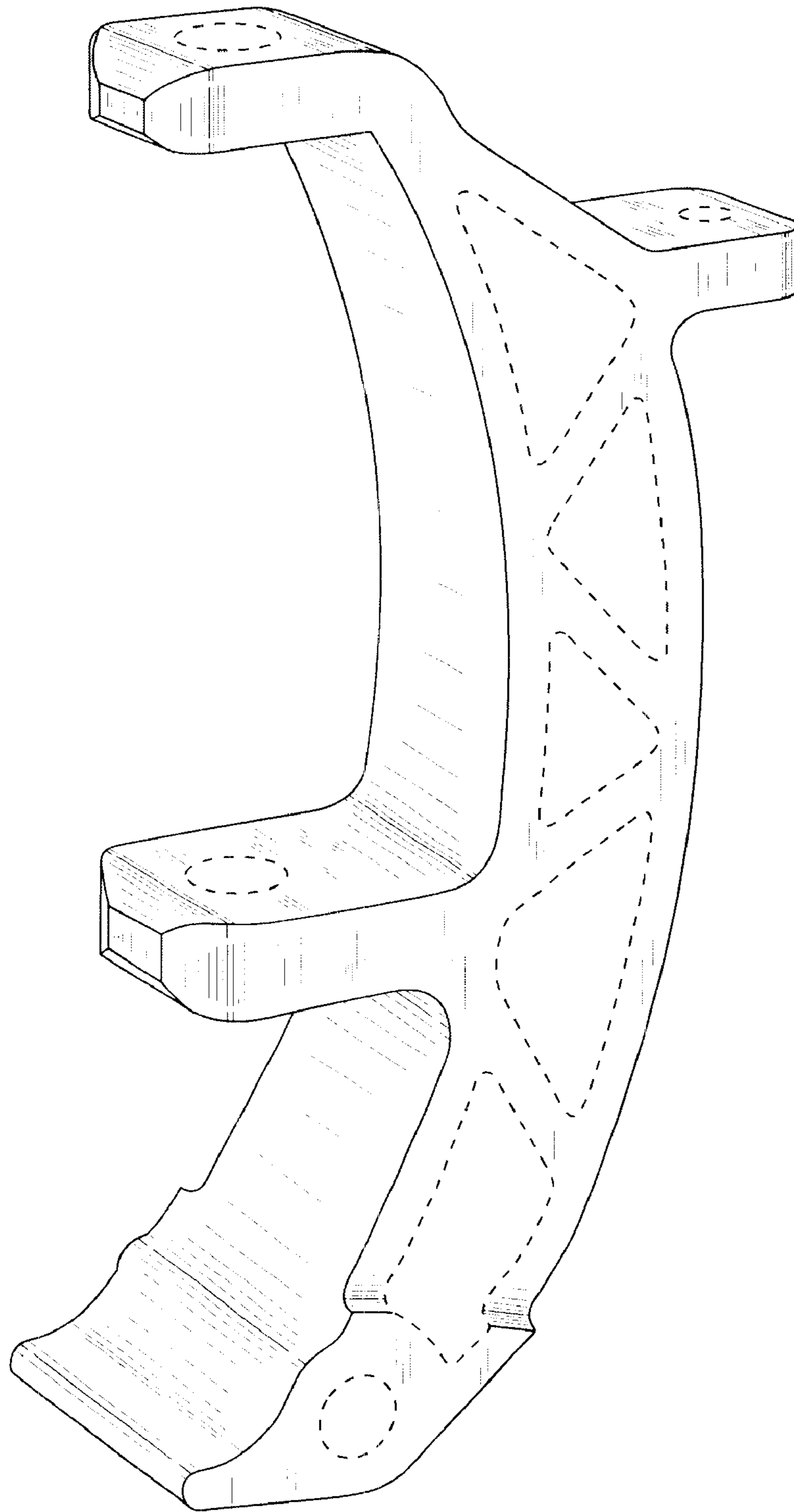


FIG. 8

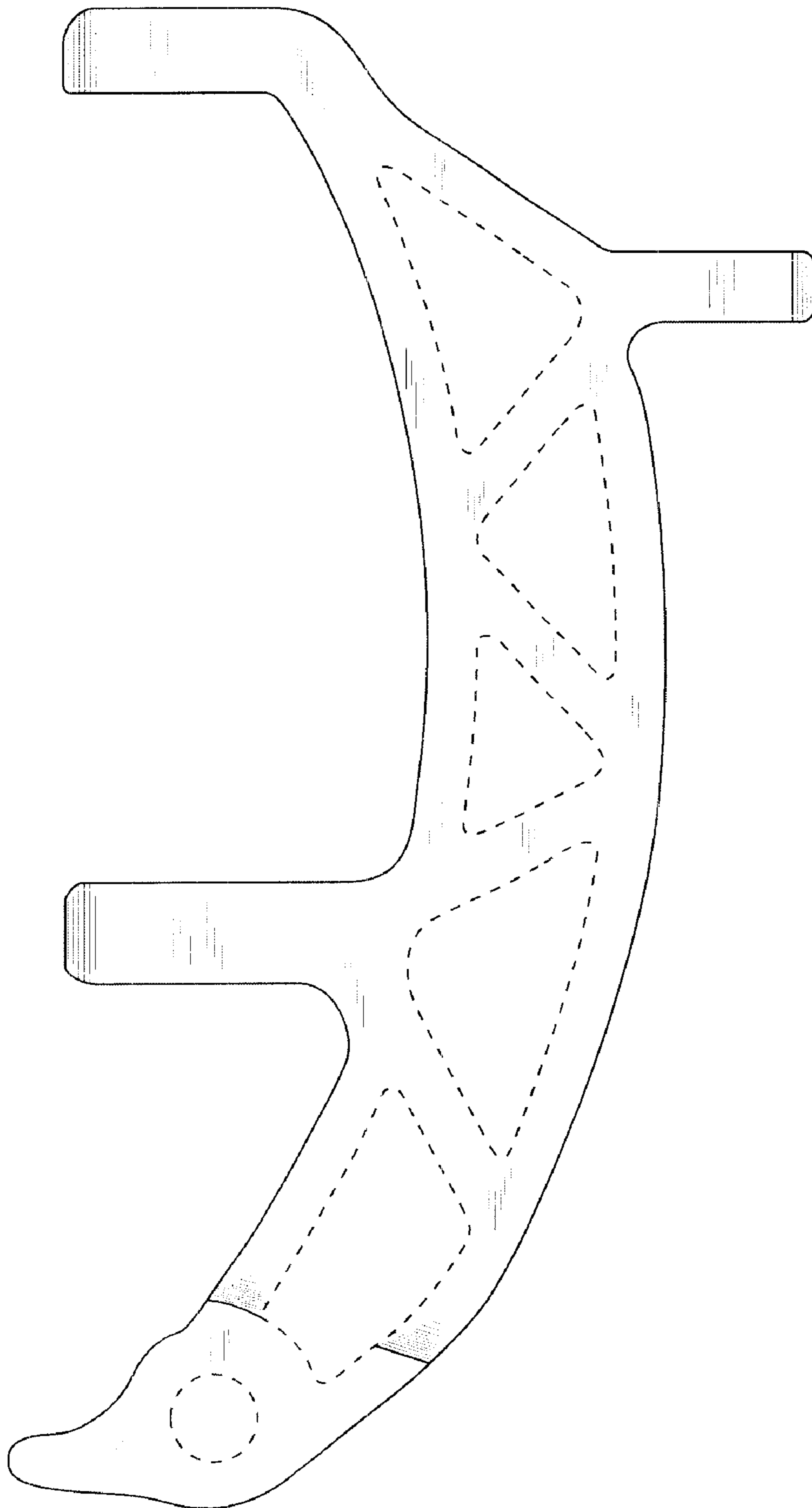


FIG. 9

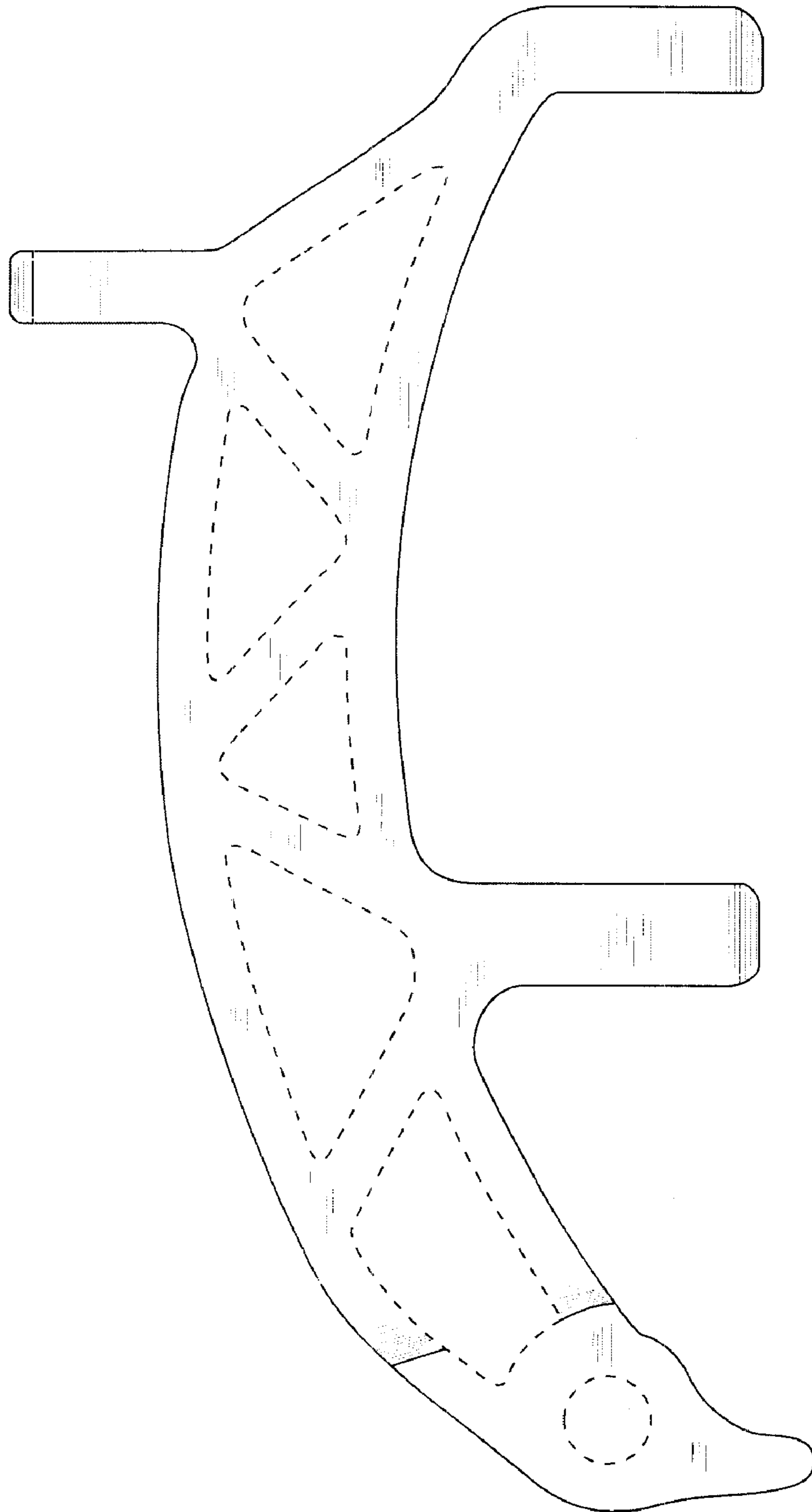


FIG. 10

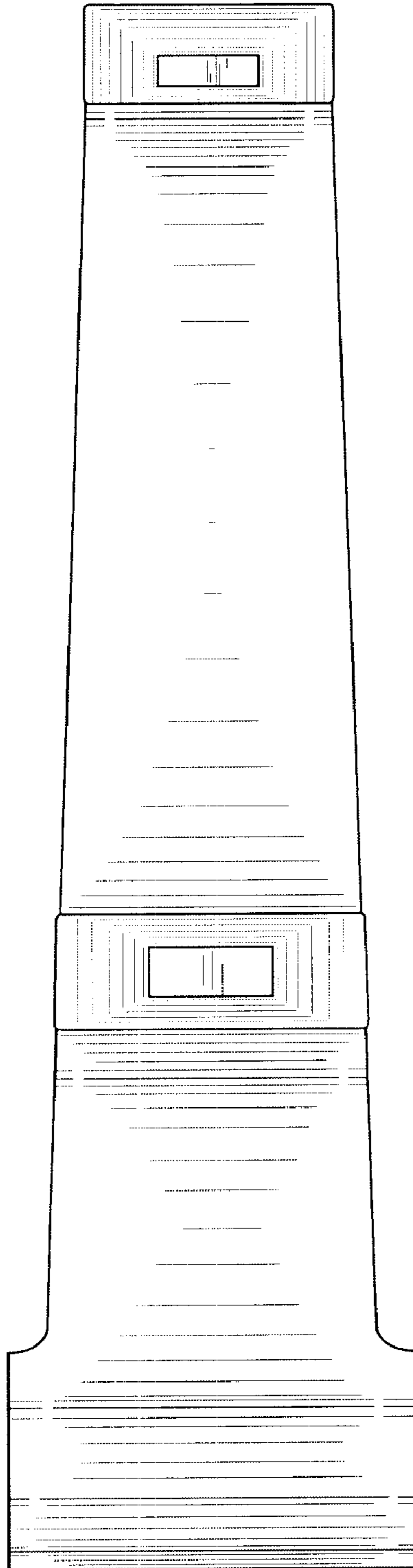


FIG. 11

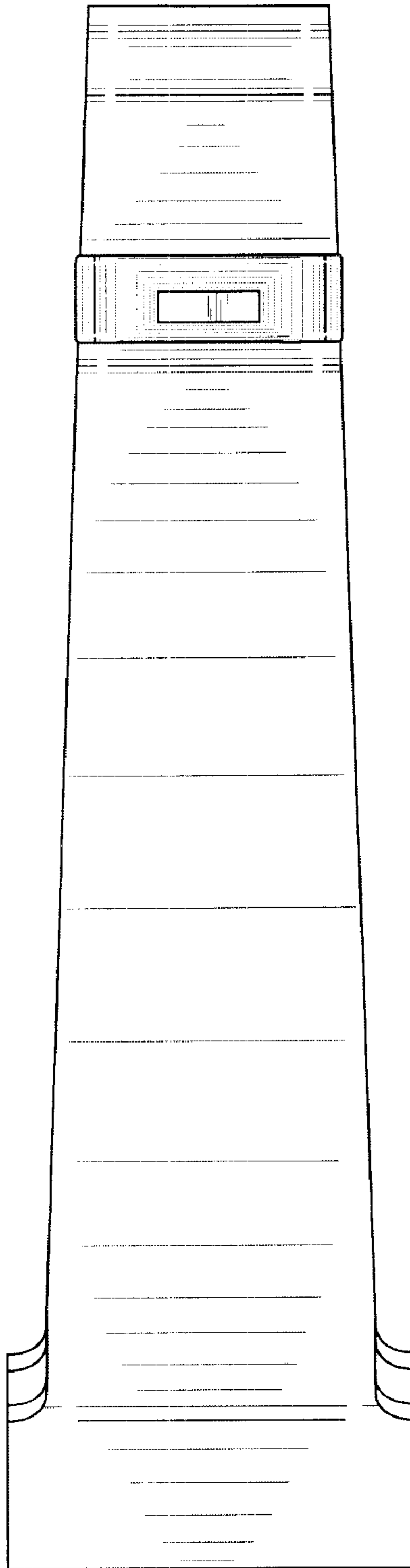


FIG. 12

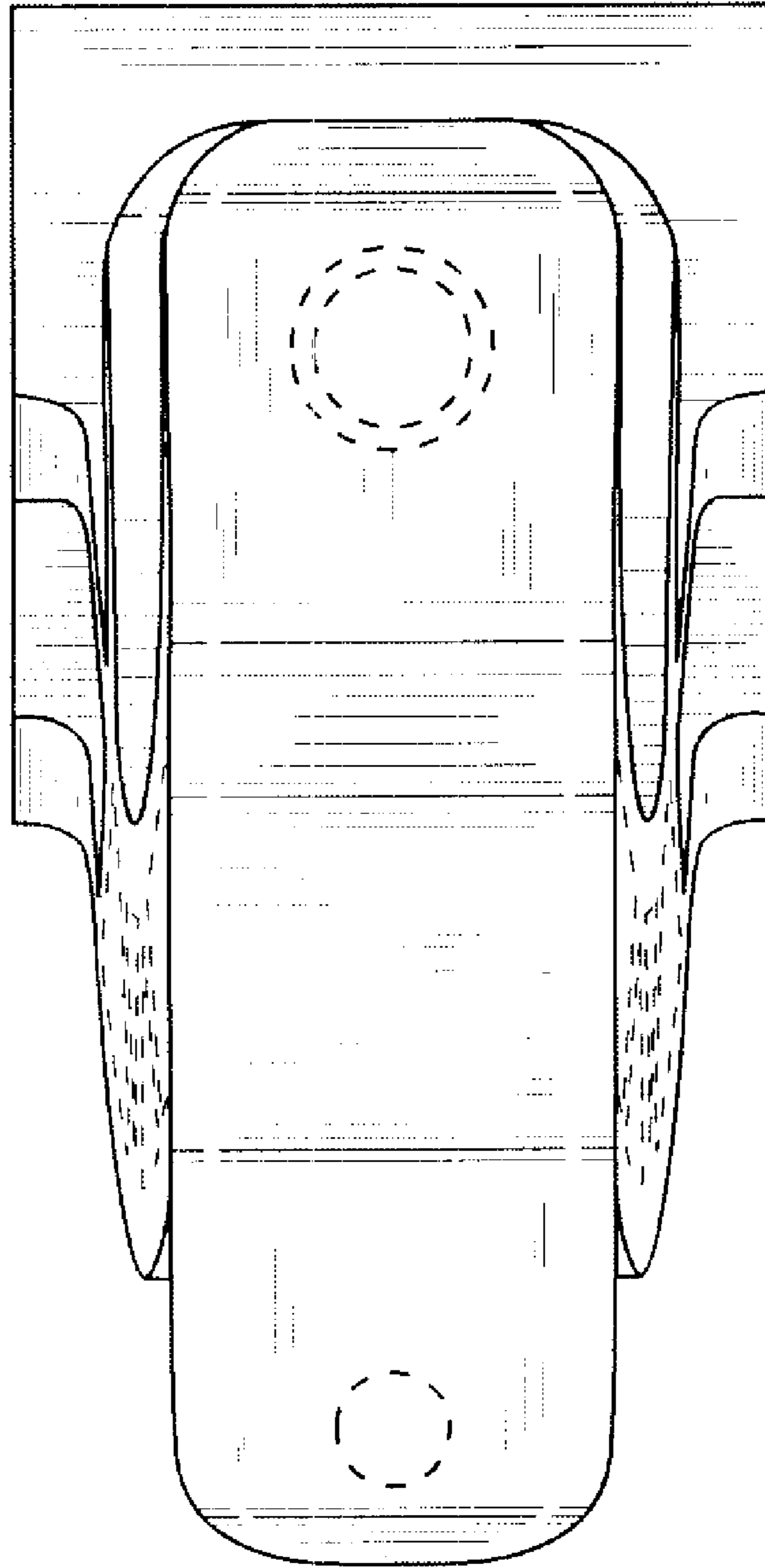


FIG. 13

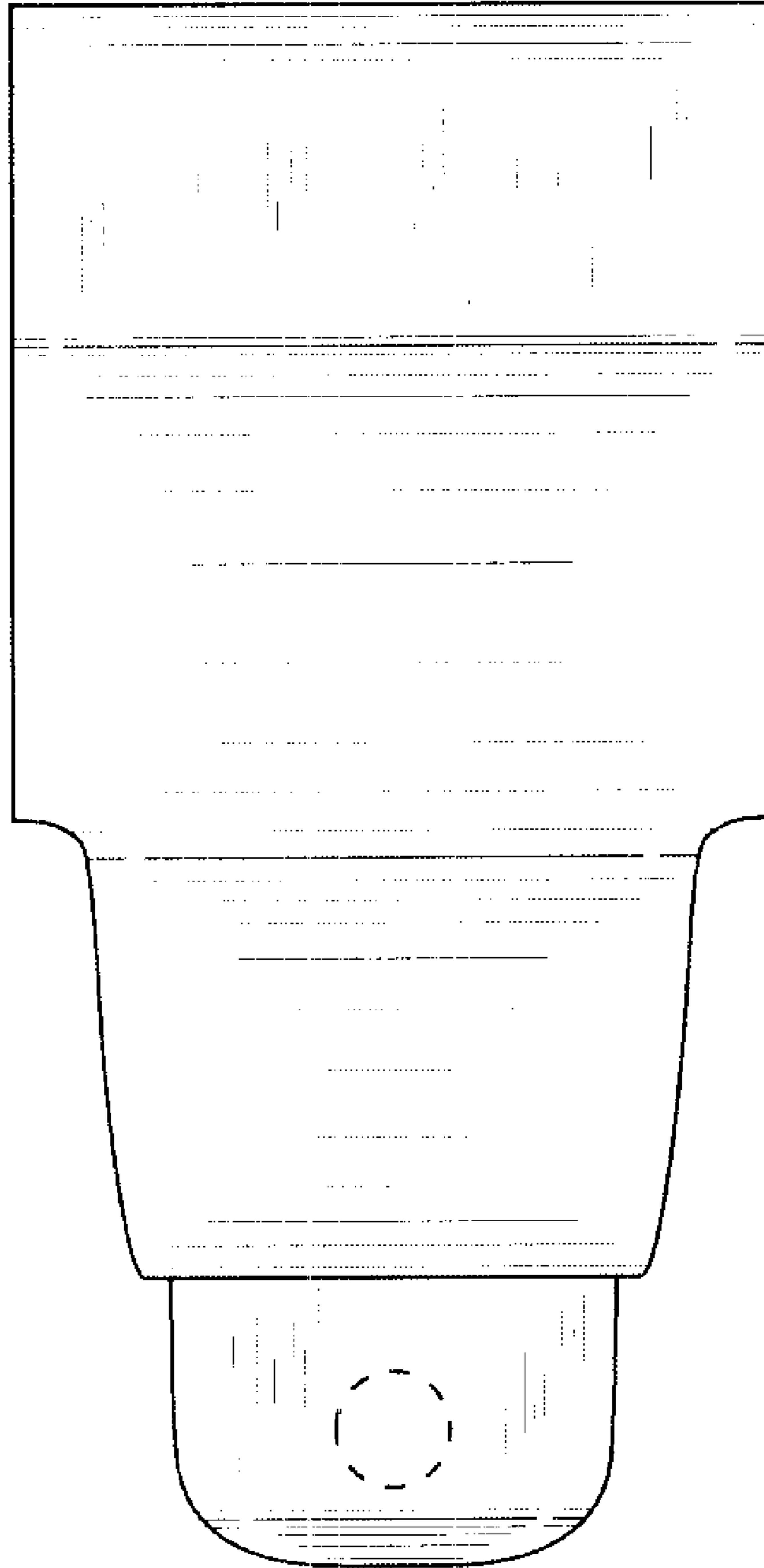


FIG. 14