



US00D478291S

(12) **United States Design Patent**  
**Leonardi, Jr.**

(10) **Patent No.:** **US D478,291 S**

(45) **Date of Patent:** **\*\* Aug. 12, 2003**

(54) **FOOT MEASURING DEVICE**

(75) **Inventor:** **Salvatore A. Leonardi, Jr.**, Weedsport, NY (US)

(73) **Assignee:** **The Brannock Device Co., Inc.**, Liverpool, NY (US)

(\*\*) **Term:** **14 Years**

(21) **Appl. No.:** **29/167,527**

(22) **Filed:** **Sep. 17, 2002**

(51) **LOC (7) Cl.** ..... **10-04**

(52) **U.S. Cl.** ..... **D10/70**

(58) **Field of Search** ..... D10/70; 33/3 R,  
33/3 A, 3 B, 3 C

(56) **References Cited**

**U.S. PATENT DOCUMENTS**

2,942,344 A *	6/1960	Brannock	.....	33/3 B
3,432,928 A *	3/1969	Rice	.....	33/3 B
D266,314 S *	9/1982	Haring et al.	.....	D10/70

\* cited by examiner

*Primary Examiner*—Antoine Duval Davis

(74) *Attorney, Agent, or Firm*—George R. McGuire; Hancock & Estabrook, LLP

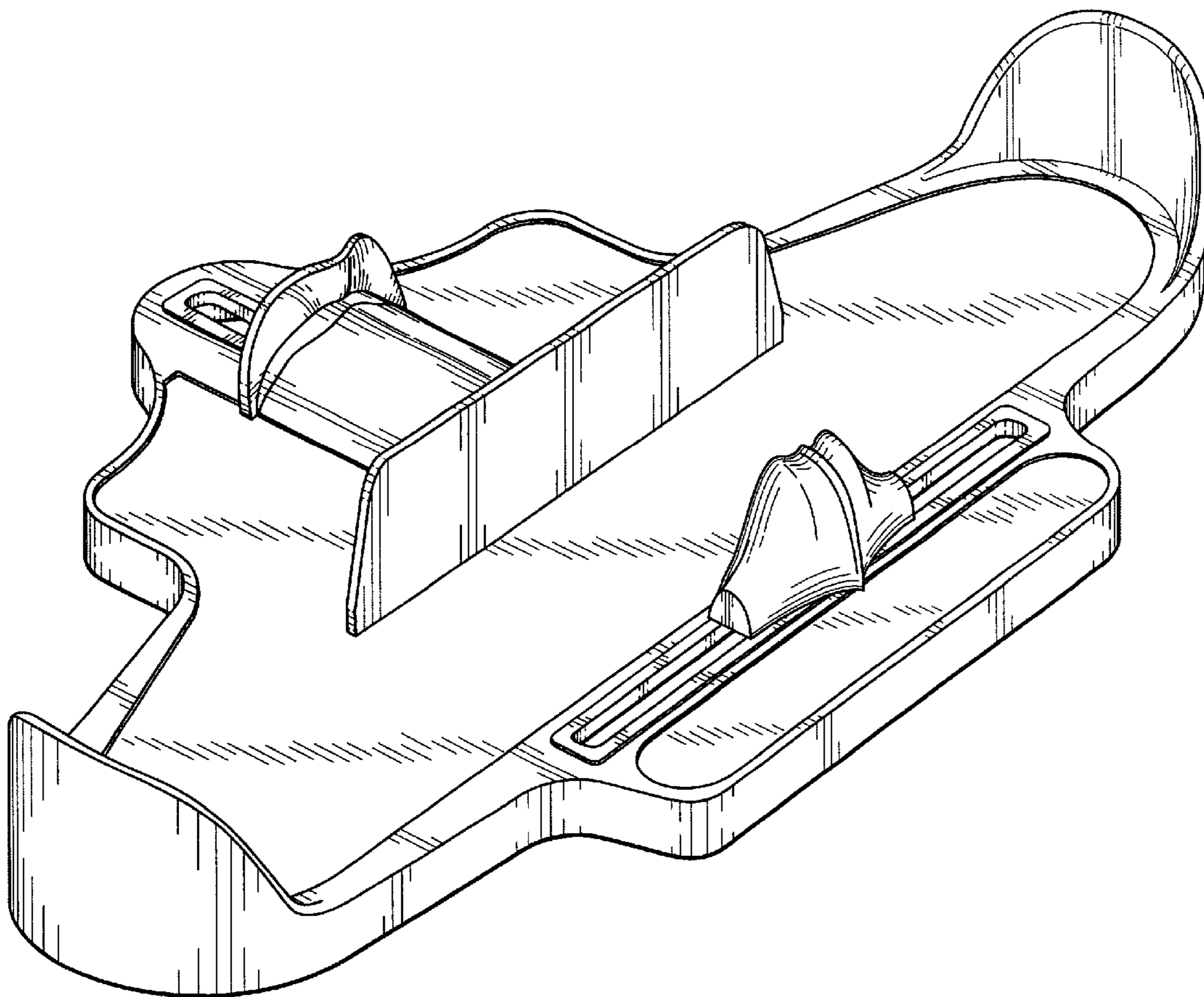
(57) **CLAIM**

The ornamental design for a foot measuring device, as shown and described.

**DESCRIPTION**

FIG. 1 is a perspective view of Applicant's new and ornamental foot measuring device;  
 FIG. 2 is a bottom plan view thereof;  
 FIG. 3 is a top plan view thereof;  
 FIG. 4 is an end-elevational view thereof, the opposite end being a mirror image thereof;  
 FIG. 5 is a first side view thereof;  
 FIG. 6 is a second side view thereof;  
 FIG. 7 is a bottom plan view thereof illustrating a second embodiment of the rib pattern;  
 FIG. 8 is a bottom plan view thereof illustrating a third embodiment of the rib pattern;  
 FIG. 9 is a bottom plan view thereof illustrating a fourth embodiment of the rib pattern; and,  
 FIG. 10 is a bottom plan view thereof illustrating a fifth embodiment of the rib pattern.

**1 Claim, 9 Drawing Sheets**



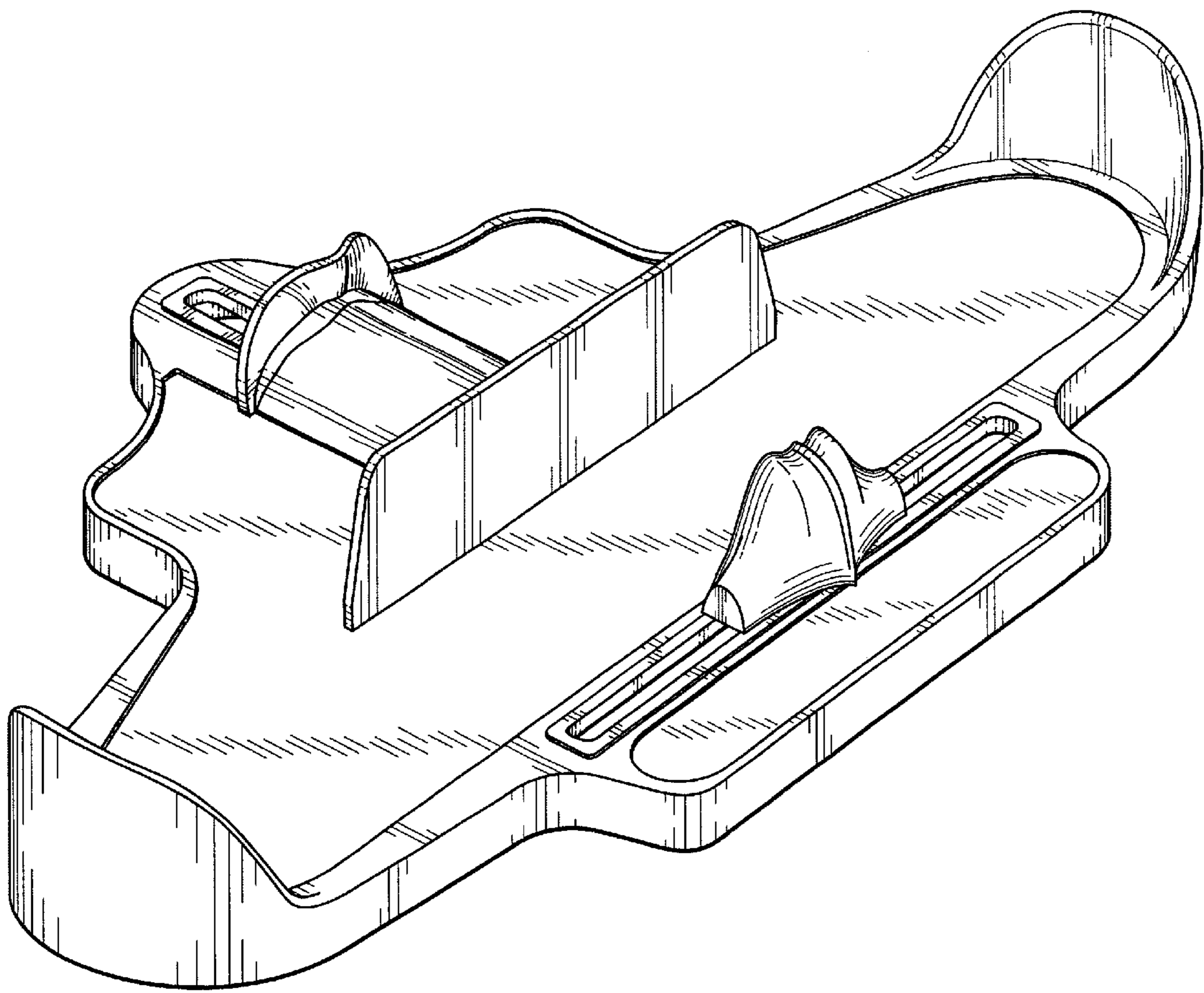


FIG. 1

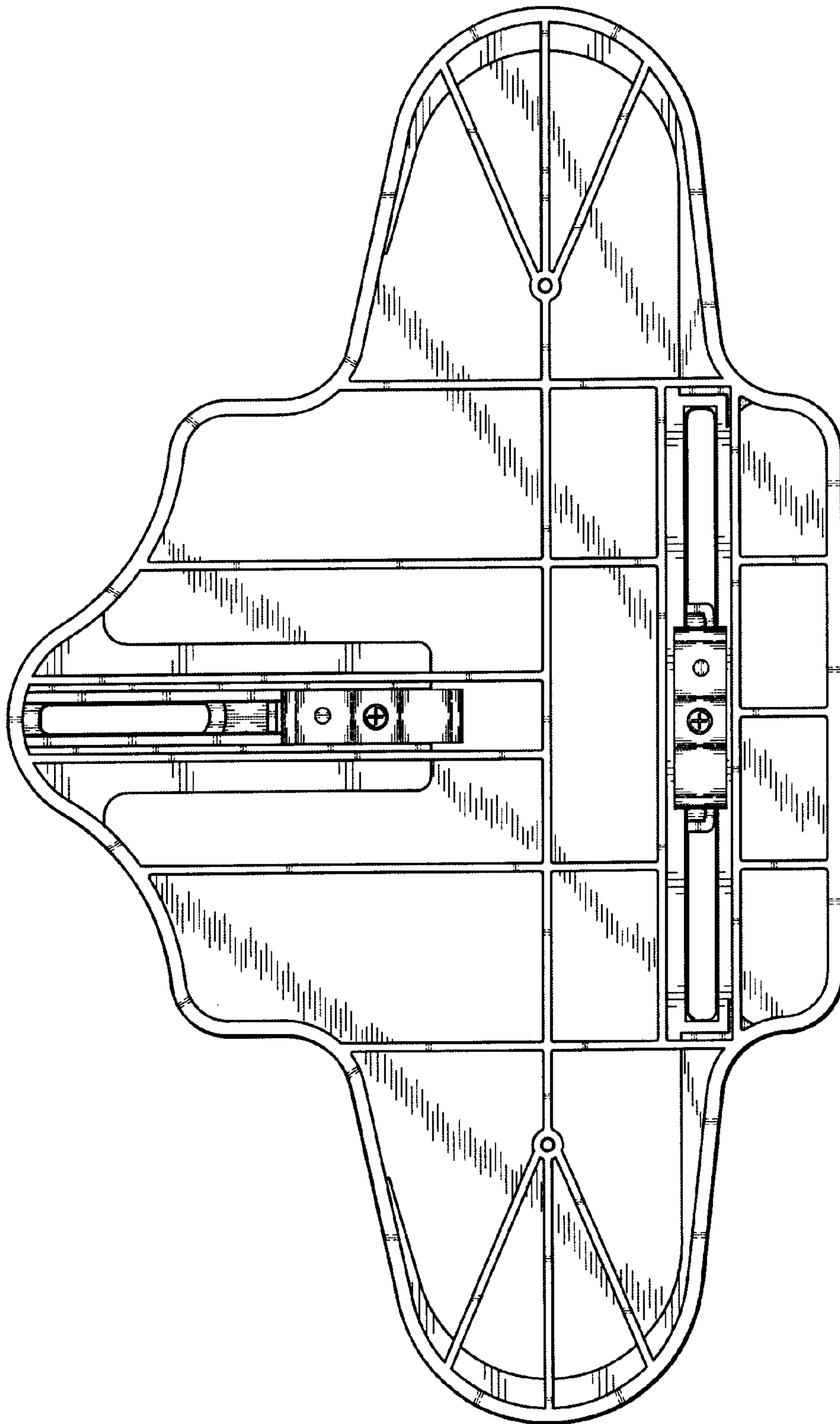


FIG. 2

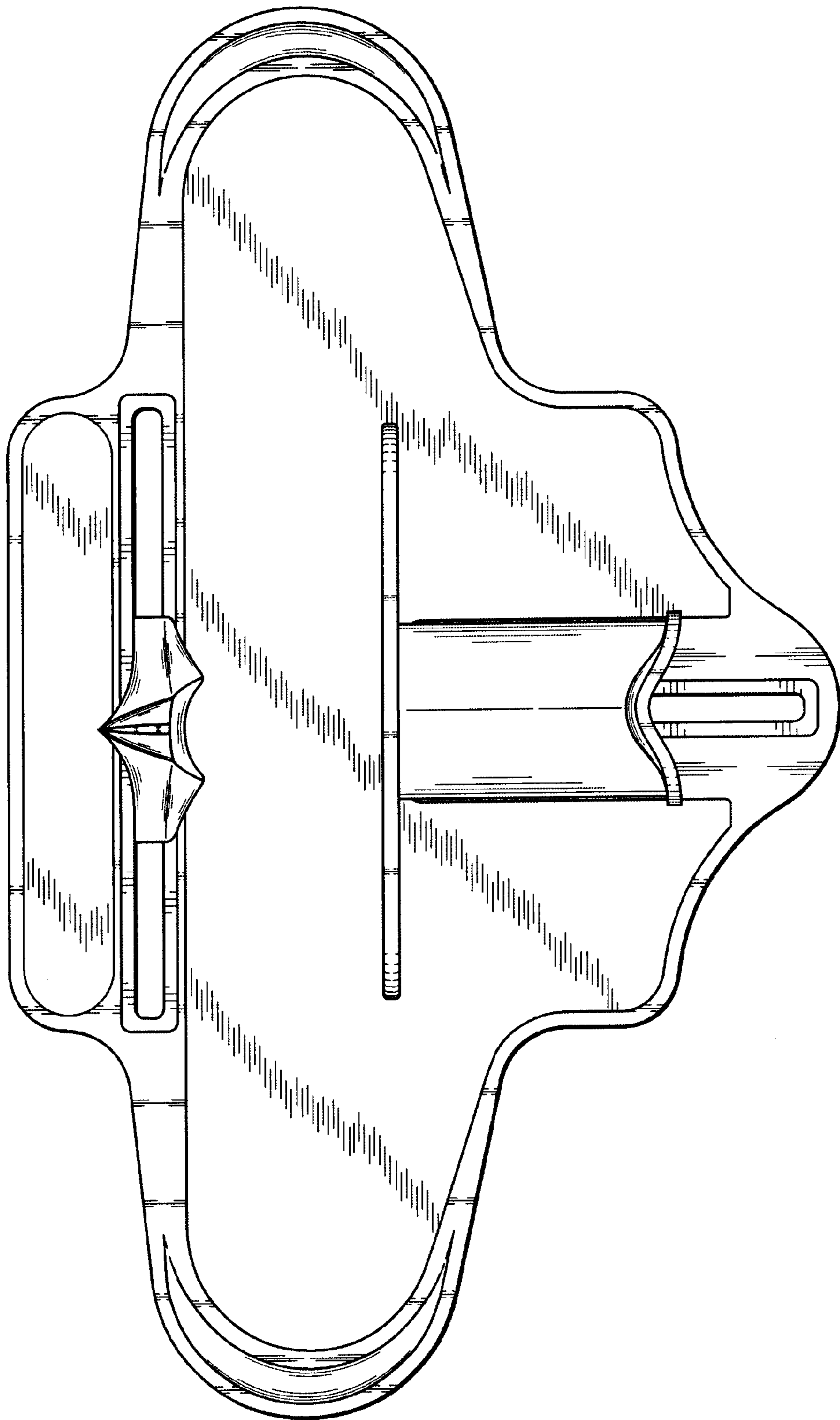


FIG. 3

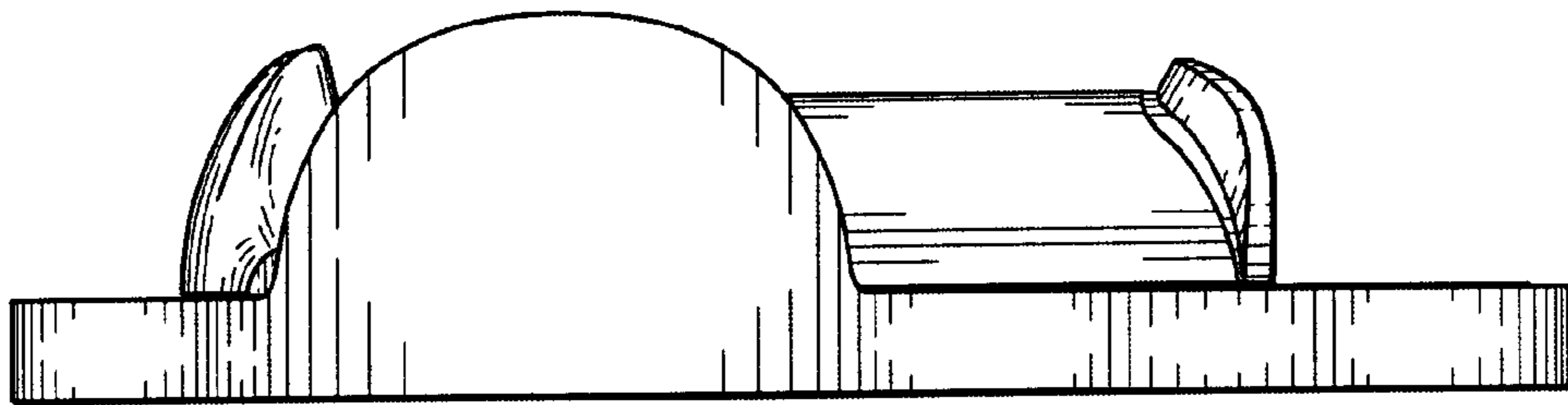


FIG. 4

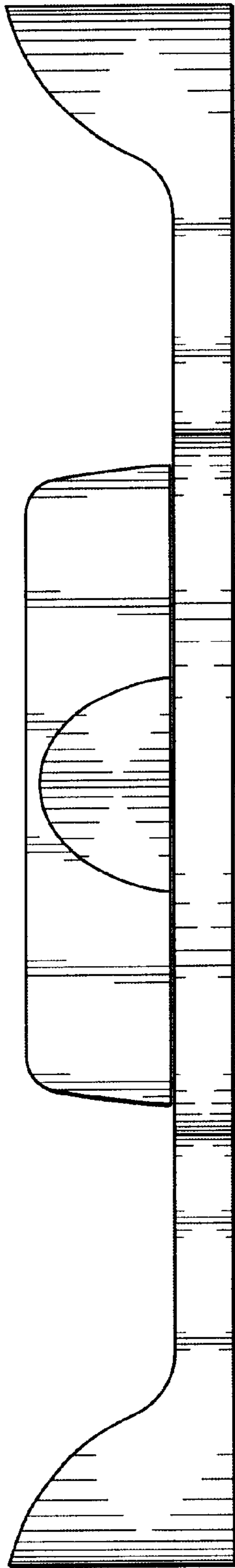


FIG. 5

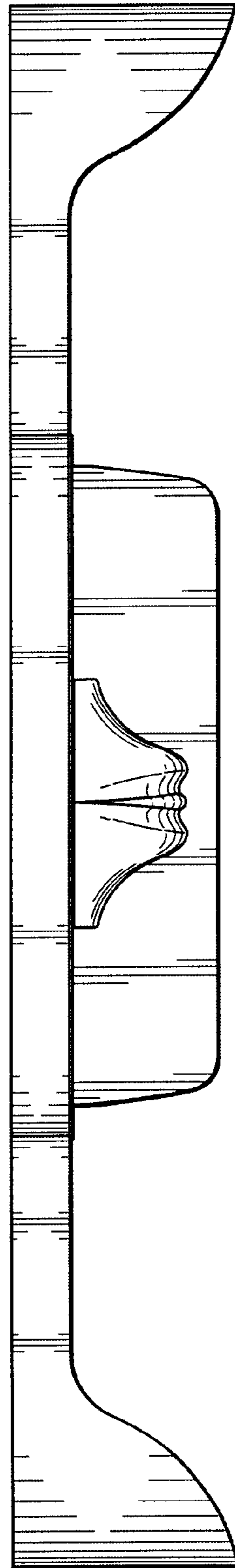


FIG. 6

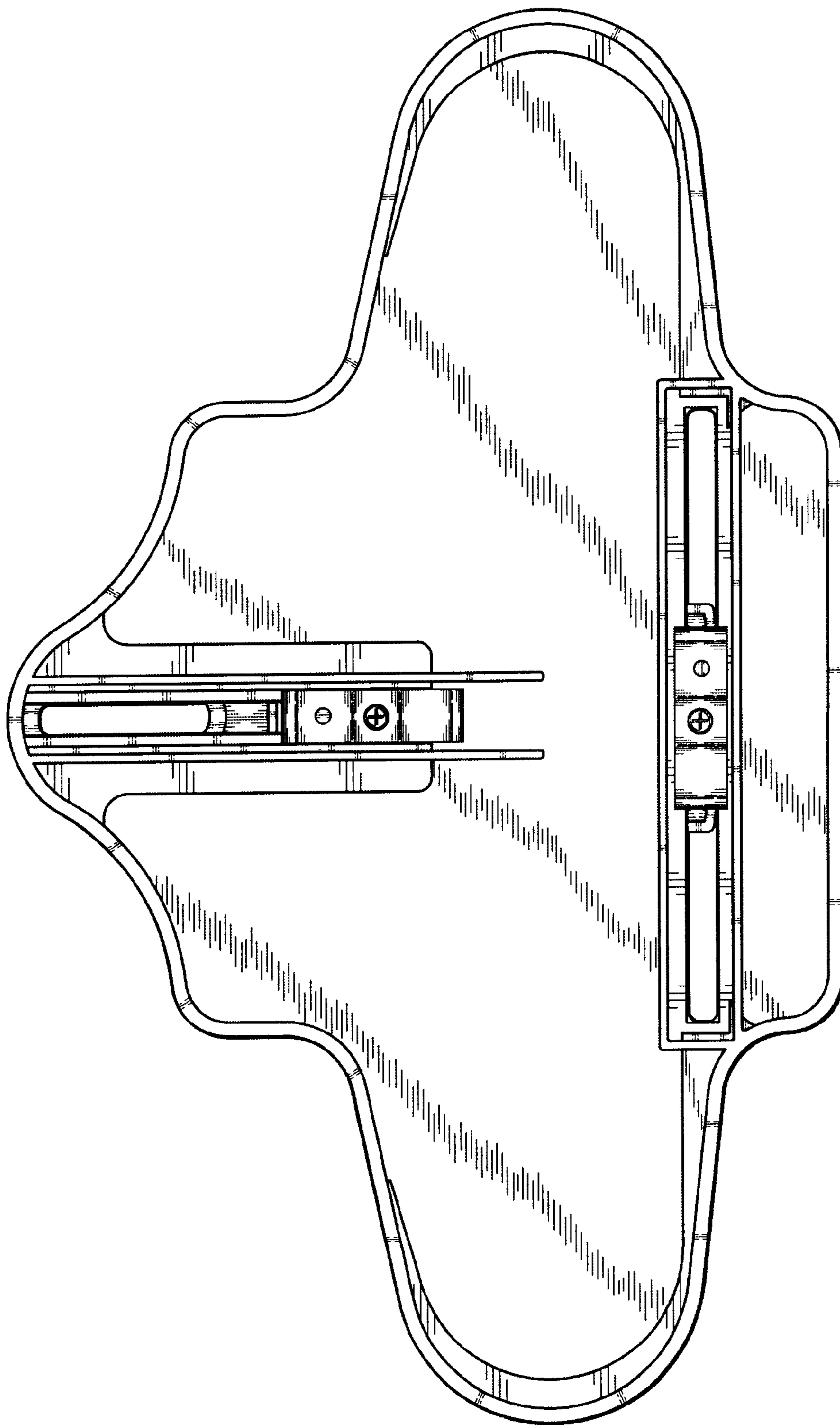


FIG. 7

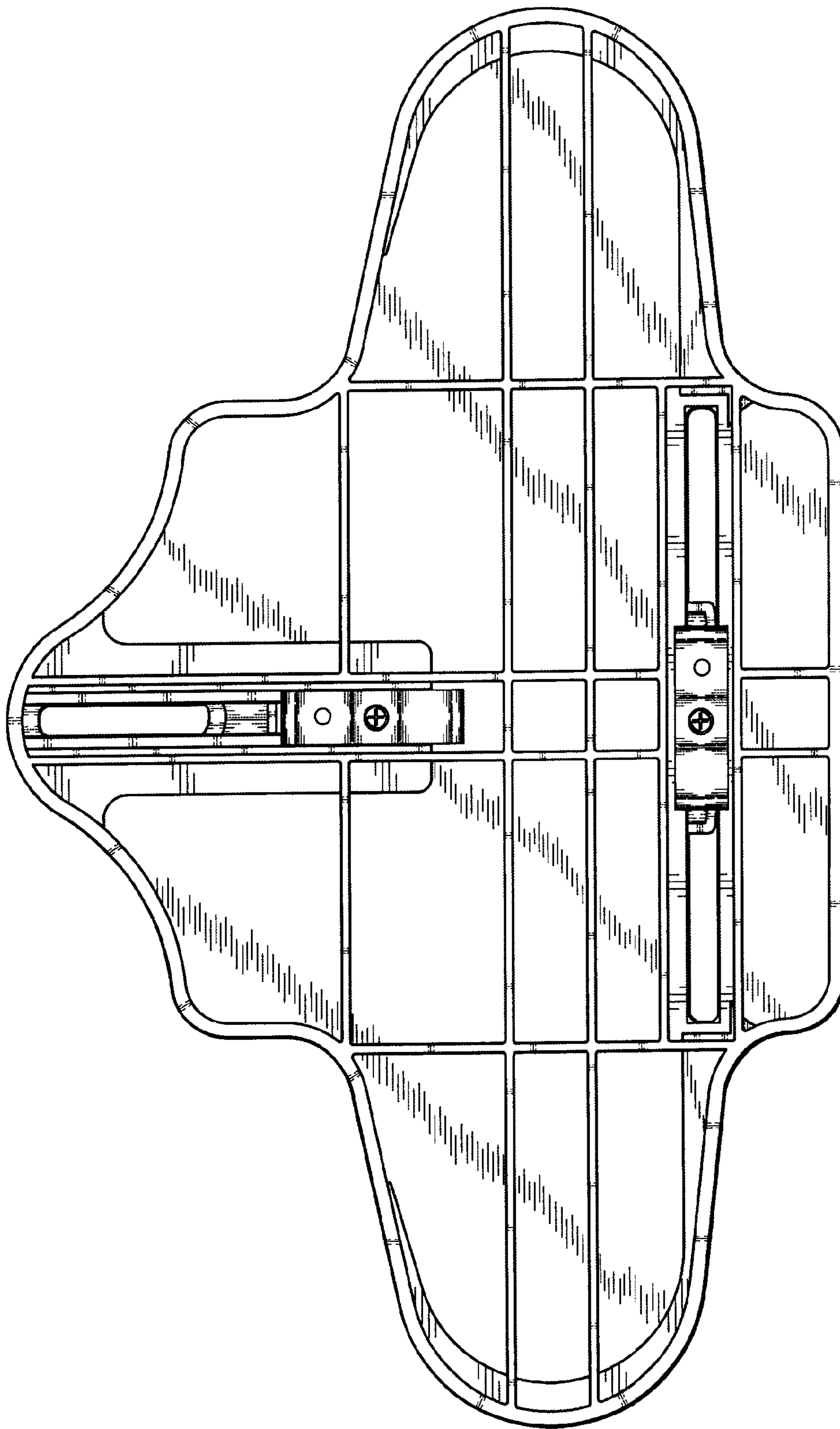


FIG. 8



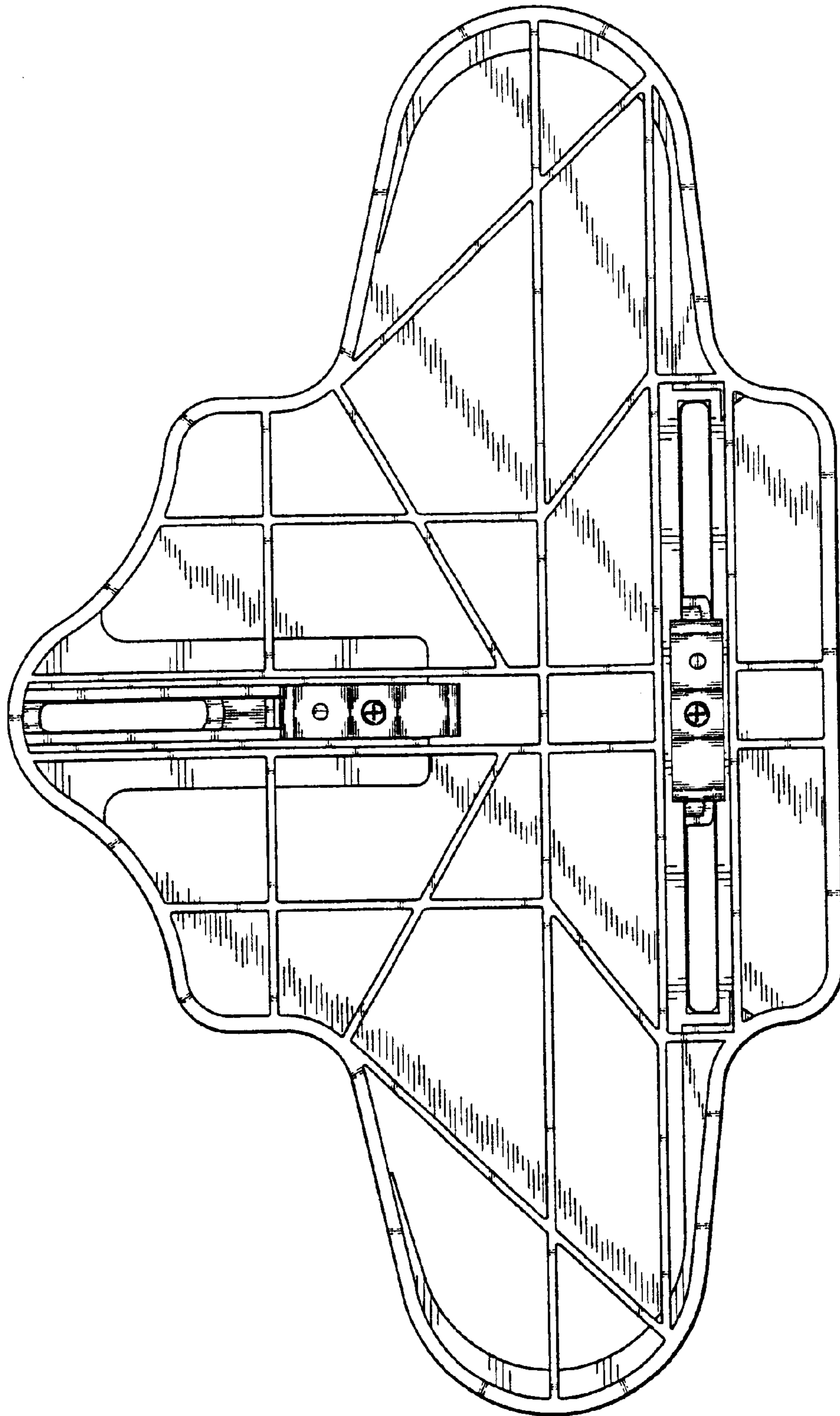


FIG. 9

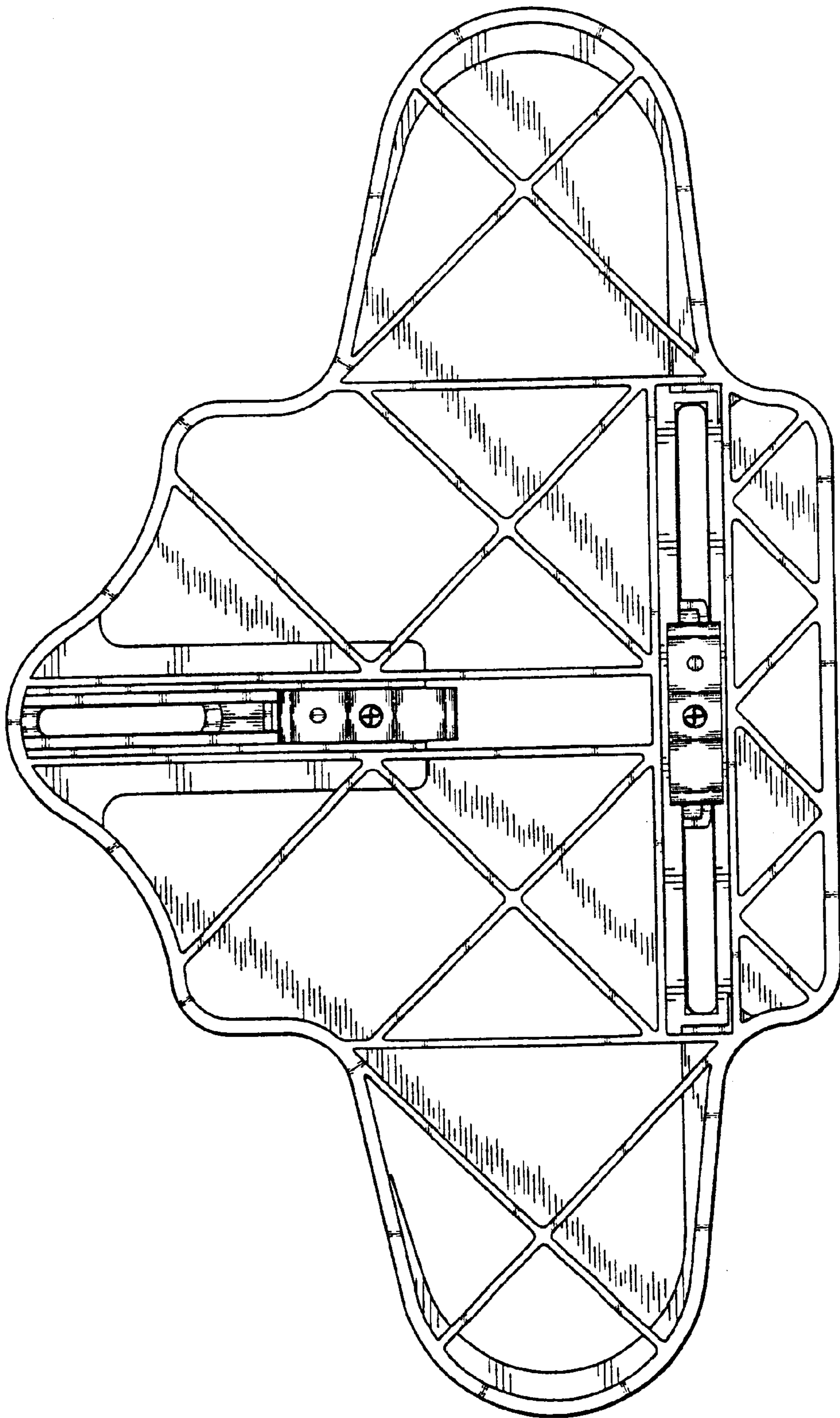


FIG. 10