



US00D478284S

(12) **United States Design Patent**  
**Pannozzo et al.**

(10) **Patent No.:** **US D478,284 S**

(45) **Date of Patent:** **\*\* Aug. 12, 2003**

(54) **AEROSOL ACTUATOR**

(75) Inventors: **Anthony Pannozzo**, Brookline, MA  
(US); **Norman D. Poisson**, Glen, NH  
(US)

(73) Assignee: **The Gillette Company**, Boston, MA  
(US)

(\*\*) Term: **14 Years**

(21) Appl. No.: **29/171,963**

(22) Filed: **Dec. 3, 2002**

**Related U.S. Application Data**

(62) Division of application No. 29/148,299, filed on Sep. 18, 2001, now Pat. No. Des. 471,106.

(51) **LOC (7) Cl.** ..... **09-07**

(52) **U.S. Cl.** ..... **D9/448**

(58) **Field of Search** ..... D9/448, 300; 222/402.1,  
222/402.12-402.15, 402.21-402.24

(56) **References Cited**

**U.S. PATENT DOCUMENTS**

D129,506 S \* 9/1941 Gach ..... D15/123

2,761,594 A	*	9/1956	Stroh	.....	222/402.13
D200,821 S	*	4/1965	Abplanalp	.....	D9/448
D308,944 S	*	7/1990	Lasorso, Jr.	.....	D9/448
5,263,616 A	*	11/1993	Abplanalp	.....	222/402.13
D447,948 S		9/2001	Pannozzo et al.	.....	D9/488
D471,106 S	*	3/2003	Pannozzo et al.	.....	D9/448

\* cited by examiner

*Primary Examiner*—Dominic Simone

(74) *Attorney, Agent, or Firm*—Stephan P. Williams

(57) **CLAIM**

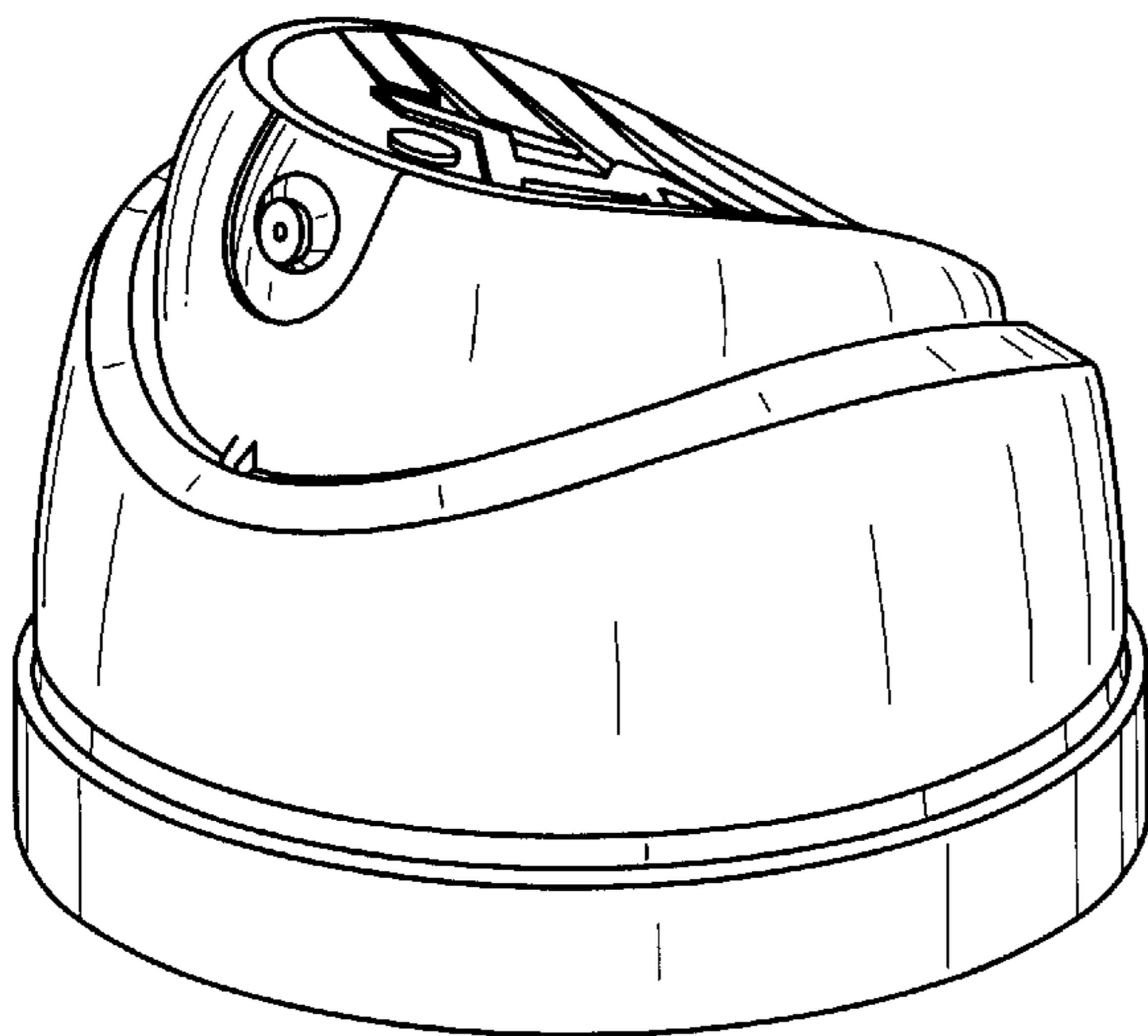
The ornamental design for an aerosol actuator, as shown and described.

**DESCRIPTION**

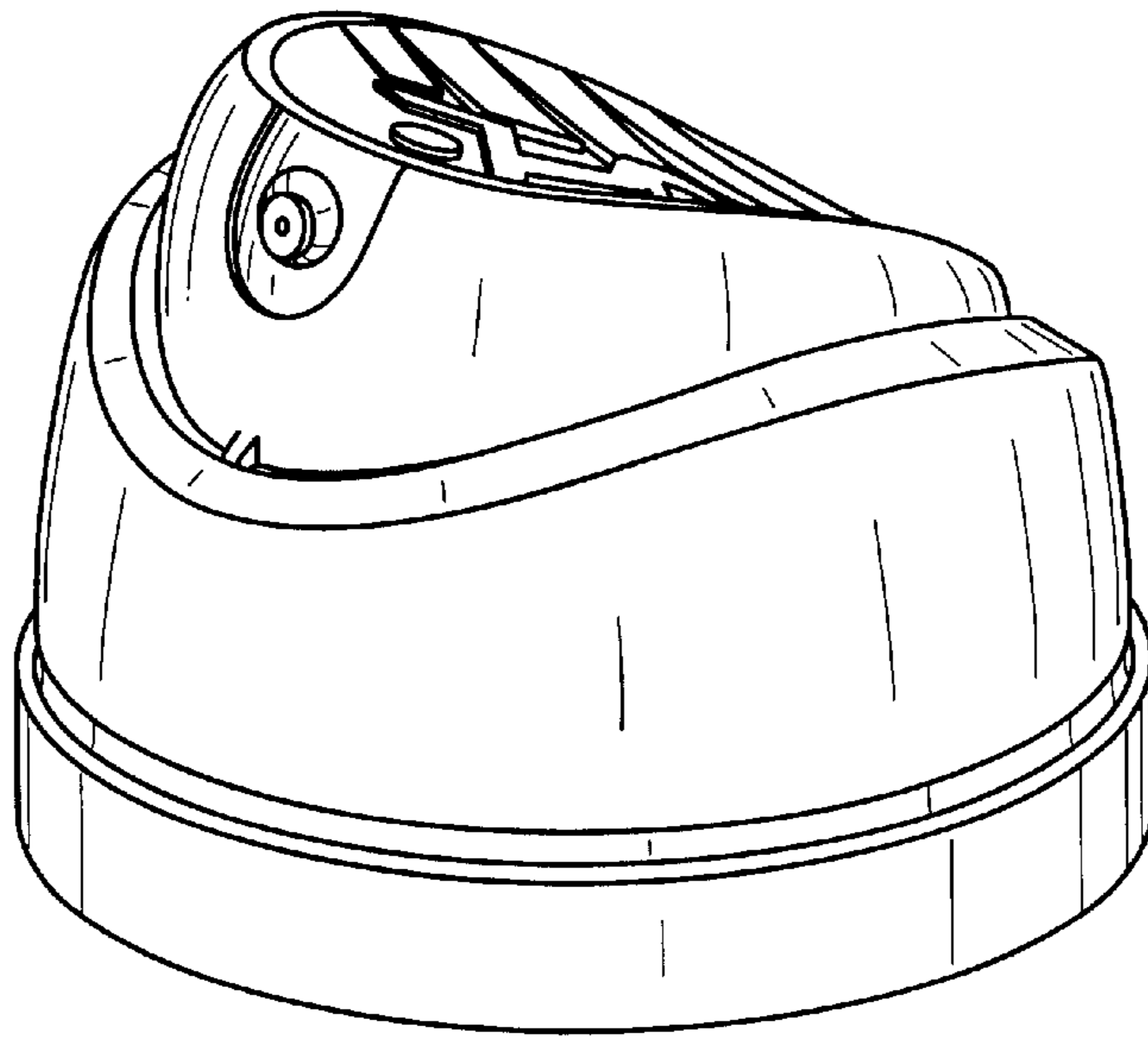
FIG. 1 is a perspective view as seen from the top, front and right side of an aerosol actuator showing our new design; and,

FIG. 2 is a top plan view thereof.

**1 Claim, 1 Drawing Sheet**



**FIG. 1**



**FIG. 2**

