



US00D478281S

(12) **United States Design Patent**  
**Prochaska**

(10) **Patent No.: US D478,281 S**

(45) **Date of Patent: \*\* \*Aug. 12, 2003**

(54) **RAZOR CARTRIDGE PACKAGE**  
(75) Inventor: **Frank H. Prochaska**, Waynesboro, VA (US)

3,946,936 A \* 3/1976 Brown ..... 206/461  
3,964,606 A 6/1976 Hogg et al. .... 206/395  
3,970,194 A 7/1976 Iten  
3,985,232 A 10/1976 Johnson ..... 206/461

(List continued on next page.)

(73) Assignee: **American Safety Razor Company**, Verona, VA (US)

**OTHER PUBLICATIONS**

(\* ) Notice: This patent is subject to a terminal disclaimer.

PFB—The Bump Fighter box, American Safety Razor. No date.

(\*\*) Term: **14 Years**

Razor Cartridge Package by Gillette®, copyright 1992.

(21) Appl. No.: **29/118,420**

Techform Inc. Nov. 1982.

(22) Filed: **Feb. 10, 2000**

Modern Packaging, p. 300. Jan. 1941.

(65) **Prior Publication Data**

*Primary Examiner*—Prabhakar Deshmukh

(74) *Attorney, Agent, or Firm*—McDermott, Will & Emery

(65)

(57) **CLAIM**

The ornamental design for a razor cartridge package, as shown and described.

**Related U.S. Application Data**

**DESCRIPTION**

(62) Division of application No. 29/088,387, filed on Apr. 30, 1998, now Pat. No. Des. 430,487.

FIG. 1 is a front perspective view of a razor cartridge package showing my new design;

(51) **LOC (7) Cl.** ..... **09-03**

FIG. 2 is a front elevational view thereof;

(52) **U.S. Cl.** ..... **D9/415**

FIG. 3 is a rear elevational view thereof;

(58) **Field of Search** ..... D9/415, 418, 414, D9/339, 340, 342, 433, 456; 206/461–471, 495, 806, 228, 352–360, 342, 207, 208; 229/111, 112; 30/34.05

FIG. 4 is a side elevational view thereof;

FIG. 5 is a top plan view thereof;

FIG. 6 is a bottom plan view thereof;

FIG. 7 is a plan view thereof; shown in an unfolded condition;

(56) **References Cited**

**U.S. PATENT DOCUMENTS**

2,949,221 A 8/1960 Vander Lugt, Jr. .... 229/40  
2,980,316 A 4/1961 Buttery et al. .... 229/87  
2,984,401 A \* 5/1961 Herkender ..... 206/806  
3,124,293 A 3/1964 Transport ..... 229/16  
3,391,783 A 7/1968 Gantz ..... 206/78  
3,467,248 A \* 9/1969 Makowicki ..... 206/462  
D219,431 S 12/1970 Hill et al. .... D9/192  
D222,582 S \* 11/1971 Petrie ..... D9/415  
D224,290 S 7/1972 Robertson ..... D9/191  
D227,081 S 6/1973 Alexander ..... D9/191  
3,904,029 A 9/1975 Koltz  
3,939,979 A 2/1976 Neumayer ..... 206/461

FIG. 8 is a perspective view of second embodiment of a razor cartridge package;

FIG. 9 is a front elevational view of FIG. 8;

FIG. 10 is a rear elevational view of FIG. 8;

FIG. 11 is a side elevational view of FIG. 8;

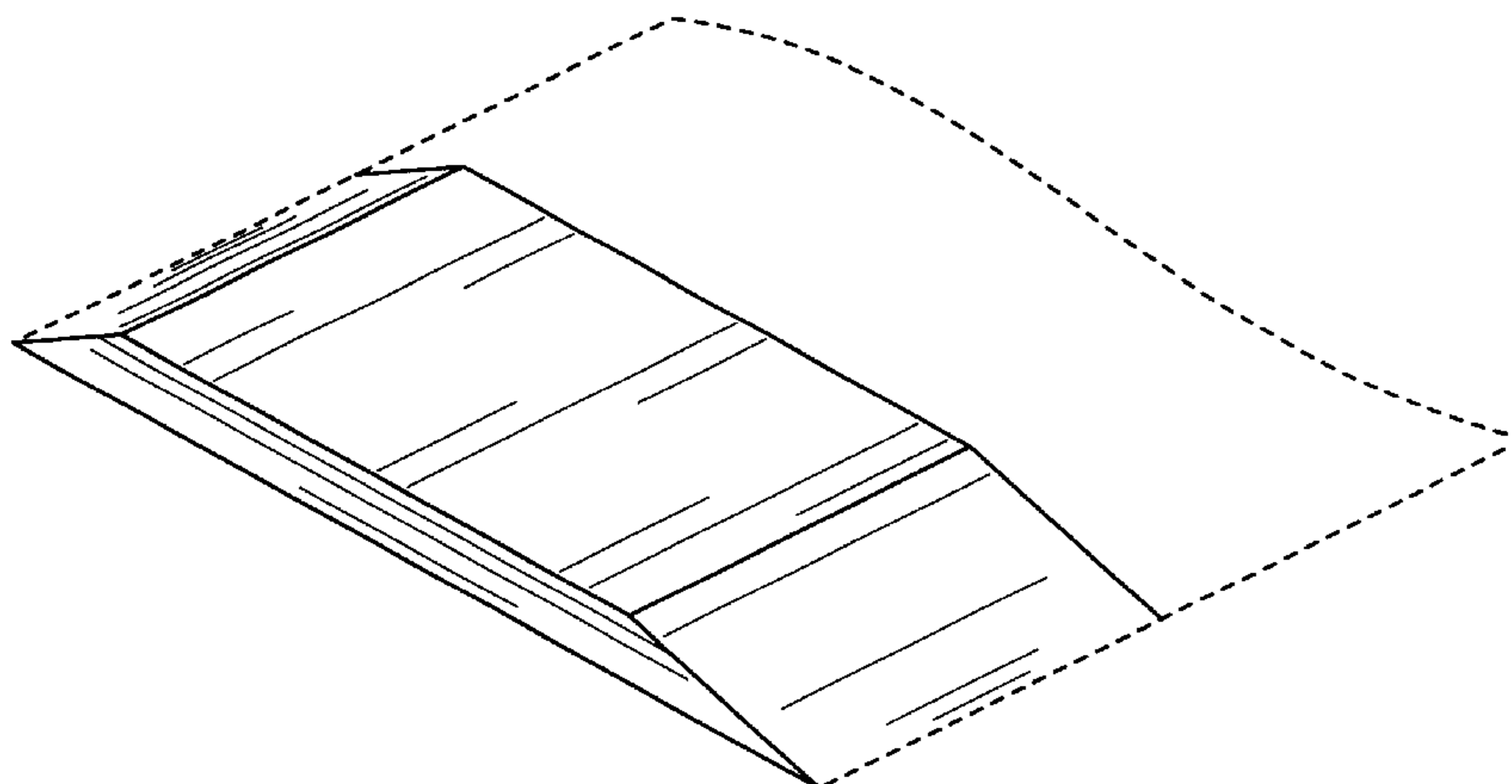
FIG. 12 is a top plan view of FIG. 8;

FIG. 13 is a bottom plan view of FIG. 8; and,

FIG. 14 is a plan view of FIG. 8; shown in an unfolded condition.

The broken lines are for illustrated purpose only and forms no part of the claimed design.

**1 Claim, 8 Drawing Sheets**



# US D478,281 S

Page 2

## U.S. PATENT DOCUMENTS

|             |         |                |       |           |               |         |                |                 |
|-------------|---------|----------------|-------|-----------|---------------|---------|----------------|-----------------|
| 4,073,407 A | 2/1978  | Pentney        | ..... | 221/102   | D305,000 S    | 12/1989 | Hernandez      |                 |
| 4,106,615 A | 8/1978  | Hiroshi        | ..... | 206/45.31 | 4,901,858 A * | 2/1990  | Anderson       | ..... 206/461   |
| 4,283,001 A | 8/1981  | Meyers         | ..... | 229/37 R  | D320,556 S    | 10/1991 | Fairhurst      | ..... D9/414    |
| 4,322,002 A | 3/1982  | Iten           | ..... | 206/493   | 5,069,334 A   | 12/1991 | Herrin et al.  | ..... 206/45.34 |
| 4,344,533 A | 8/1982  | Olsen          | ..... | 206/459   | 5,117,972 A   | 6/1992  | Herrin et al.  | ..... 206/45.34 |
| 4,355,758 A | 10/1982 | Lavery         | ..... | 229/39 R  | 5,131,564 A   | 7/1992  | Plonkey        | ..... 221/155   |
| D267,394 S  | 12/1982 | Liptak et al.  | ..... | D9/415    | 5,251,756 A   | 10/1993 | Grange         | ..... 206/461   |
| 4,485,920 A | 12/1984 | Skylvik        | ..... | 206/468   | 5,379,894 A   | 1/1995  | Haas et al.    | ..... 206/333   |
| 4,630,734 A | 12/1986 | Severin et al. | ..... | 206/461   | D359,902 S    | 7/1995  | Deuschle       | ..... D9/415    |
| 4,691,820 A | 9/1987  | Martinez       | ..... | 206/205   | D364,561 S    | 11/1995 | Chapman et al. | ..... D9/415    |
| 4,742,914 A | 5/1988  | Klein          | ..... | 206/461   | 5,497,882 A   | 3/1996  | Kenyon         | ..... 206/485   |
| 4,756,408 A | 7/1988  | Grauf          | ..... | 206/44 R  | 5,564,569 A   | 10/1996 | Kiefer         | ..... 206/461   |
| 4,784,268 A | 11/1988 | Perchak        | ..... | 206/461   | 5,603,408 A   | 2/1997  | Protz, Jr.     | ..... 206/461   |
| 4,826,042 A | 5/1989  | Vujovich       | ..... | 221/228   | 5,624,033 A   | 4/1997  | Arai et al.    | ..... 206/469   |
| 4,850,512 A | 7/1989  | Vujovich       | ..... | 221/232   | 5,819,939 A   | 10/1998 | Boyer          | ..... 206/461   |
| 4,858,756 A | 8/1989  | Herrin et al.  |       |           | 5,958,484 A * | 9/1999  | Gics           | ..... 206/462   |

\* cited by examiner

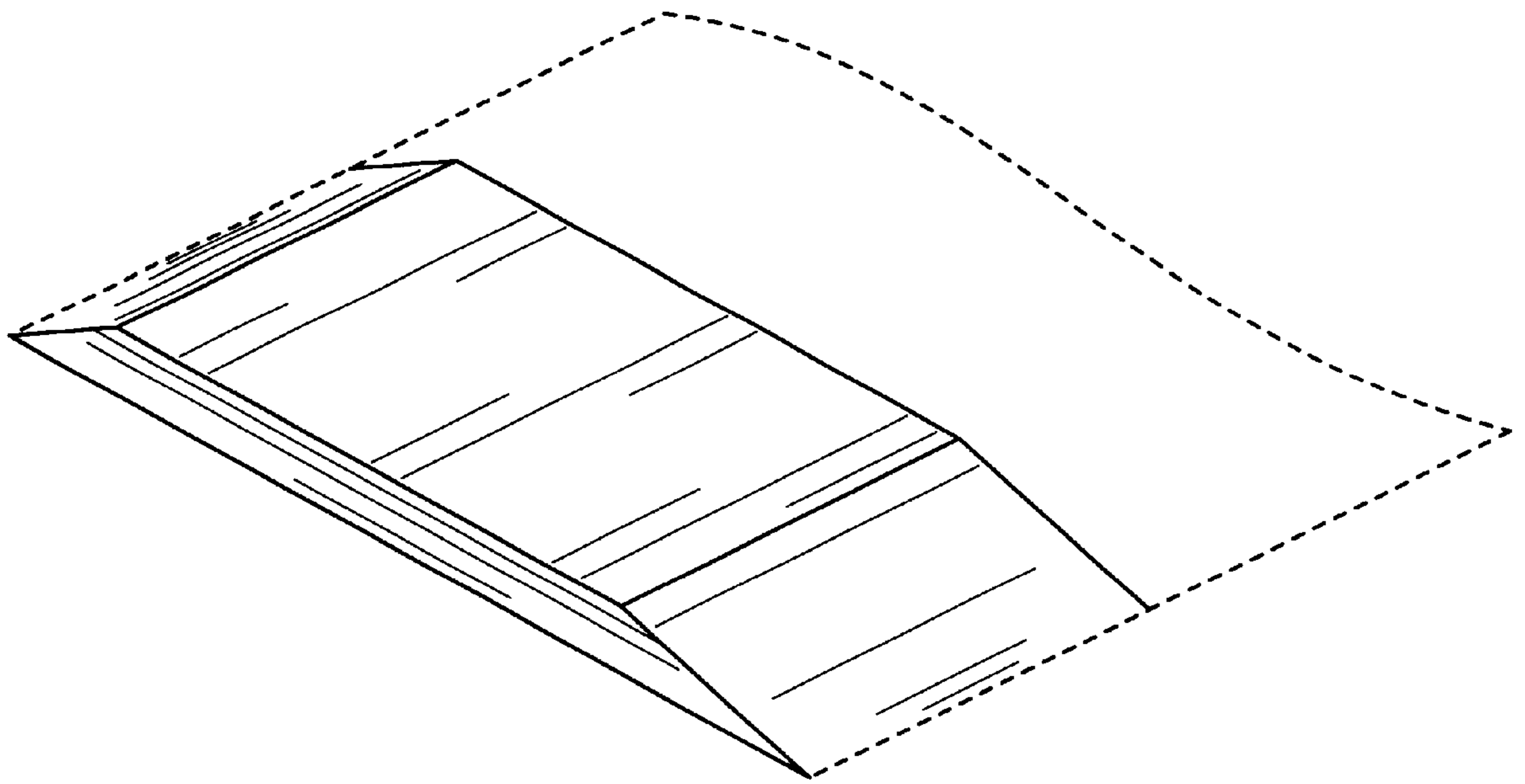


FIG. 1

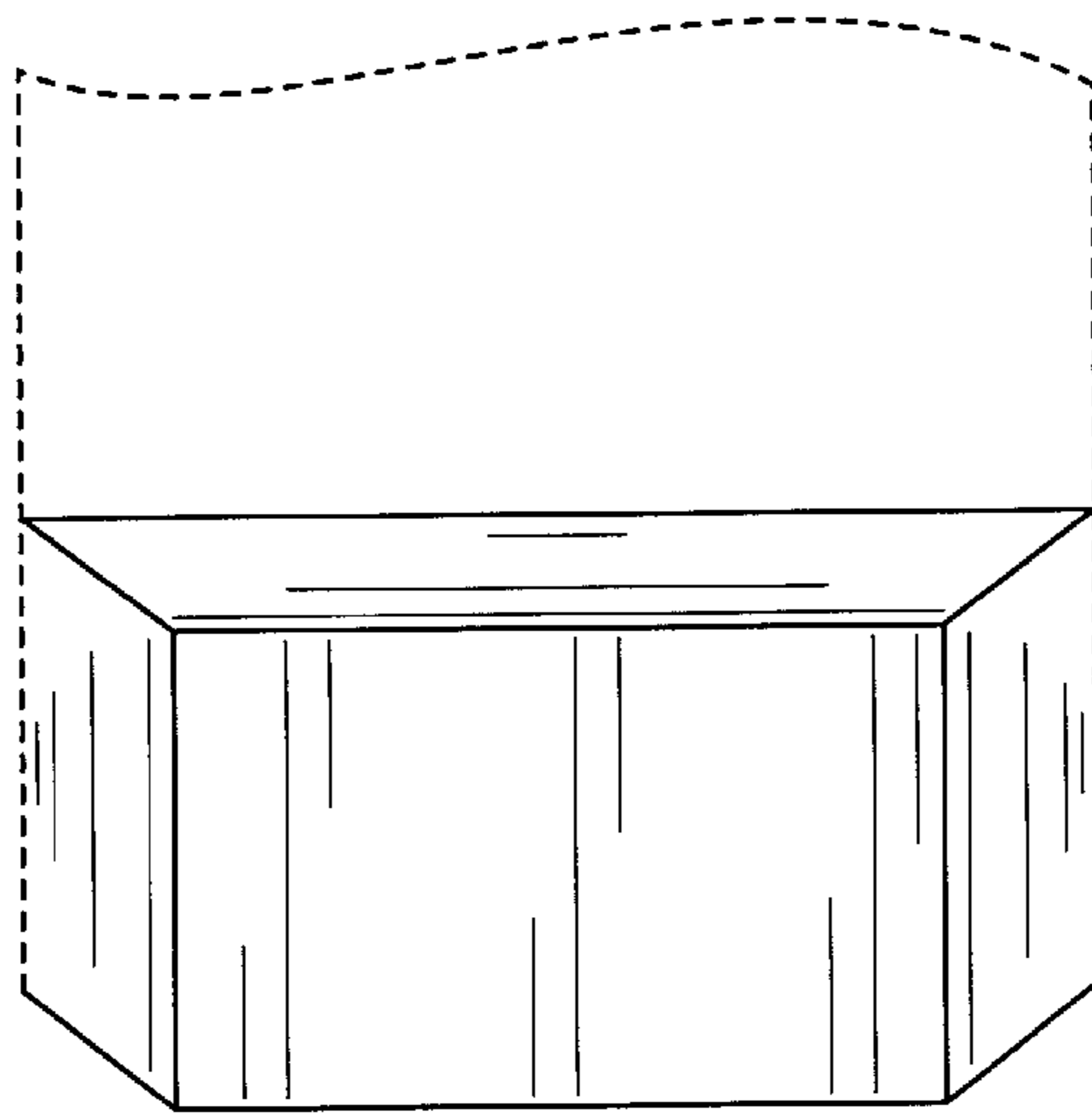


FIG. 2

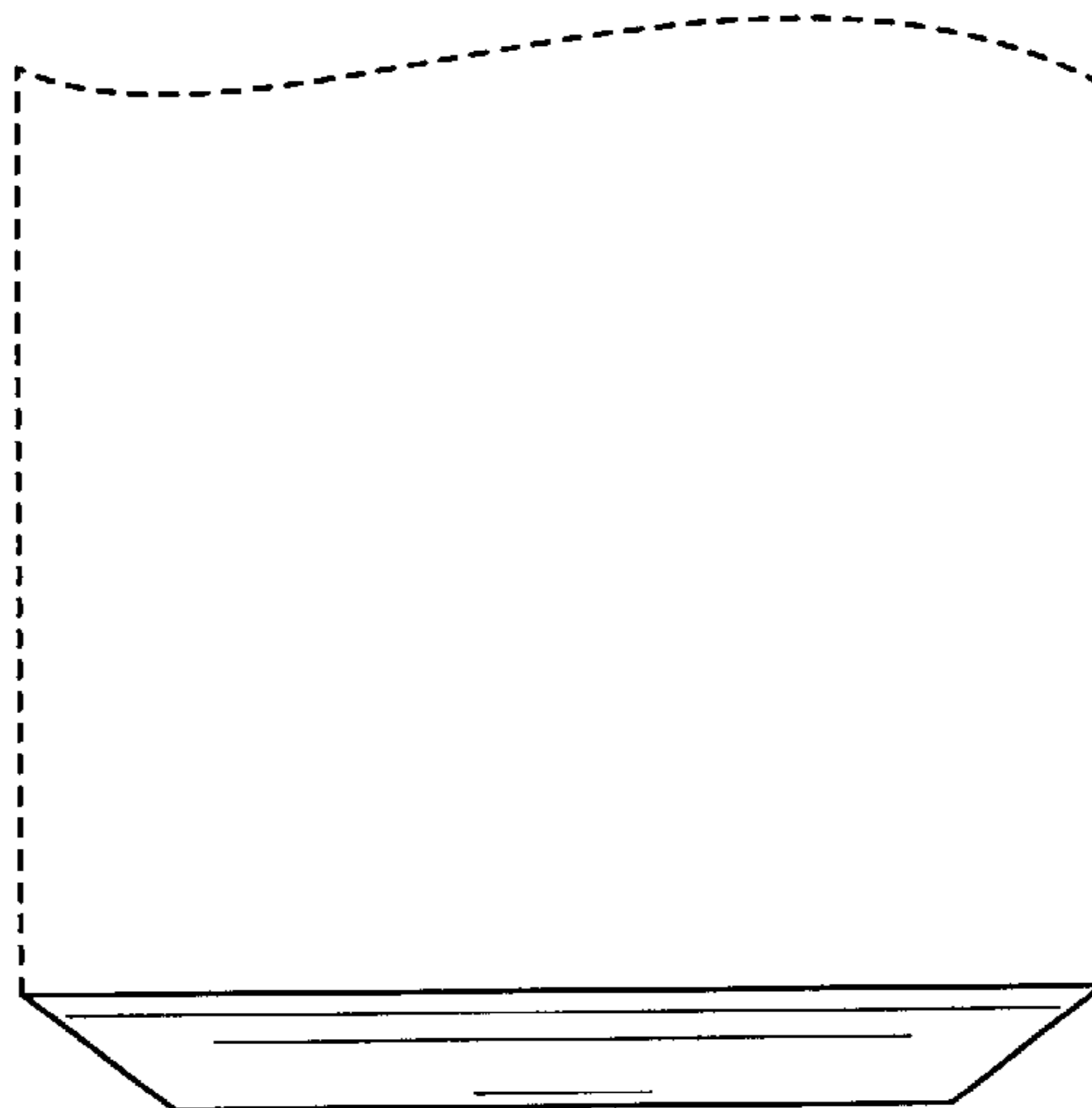


FIG. 3

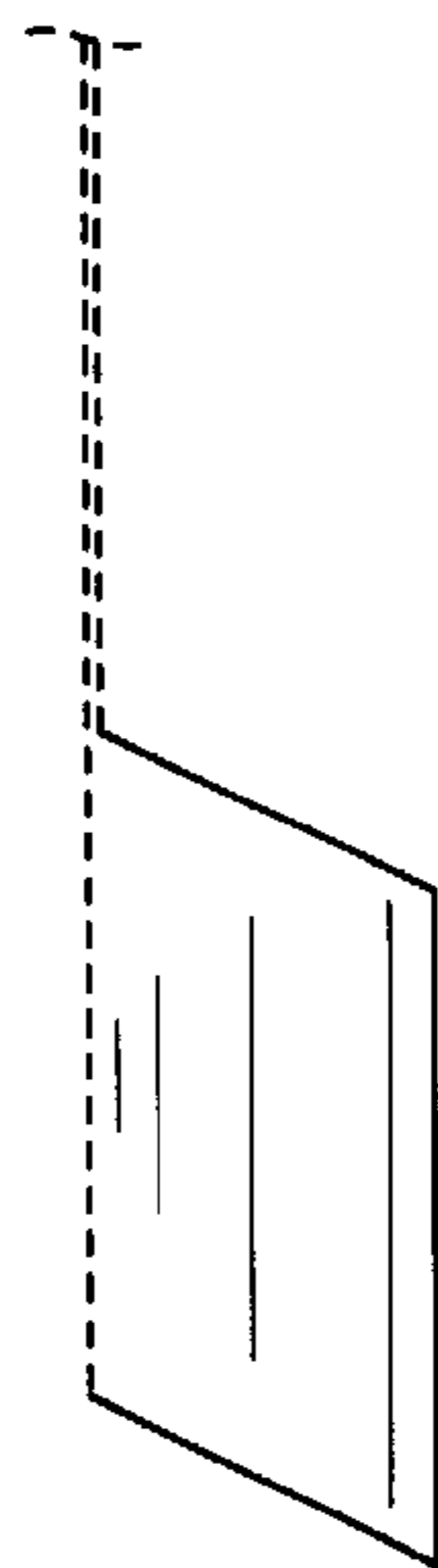


FIG. 4

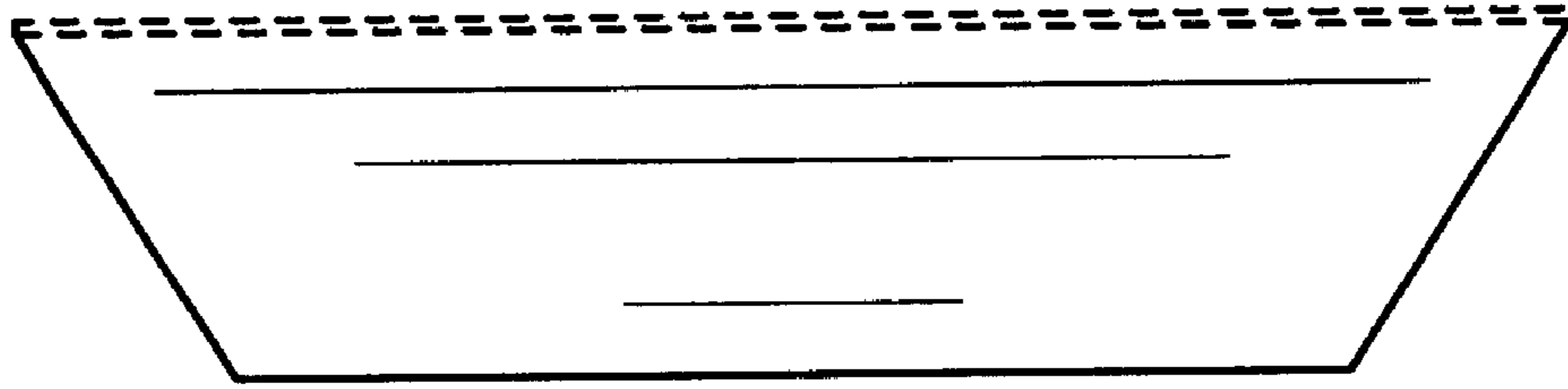


FIG. 5

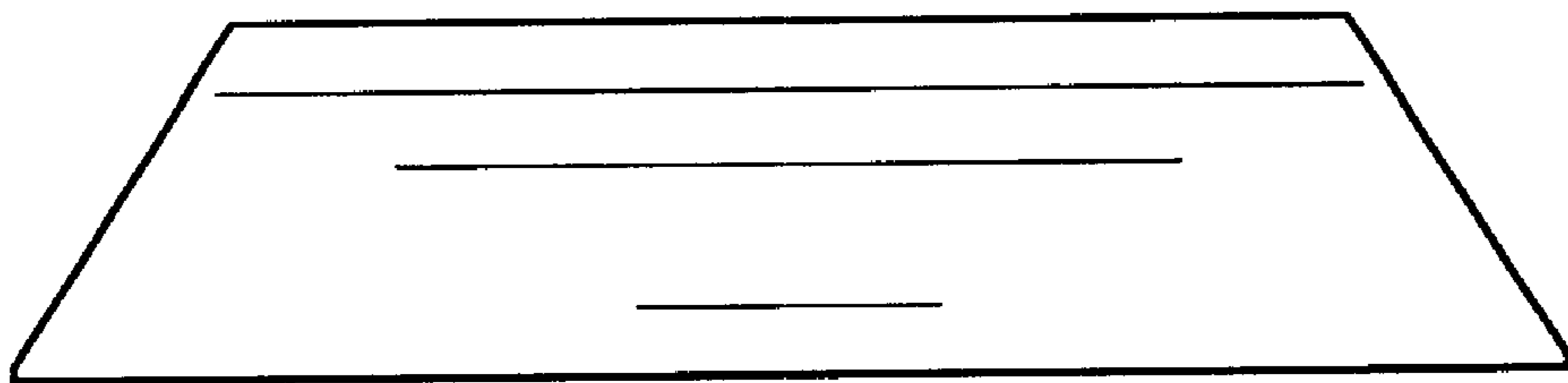


FIG. 6

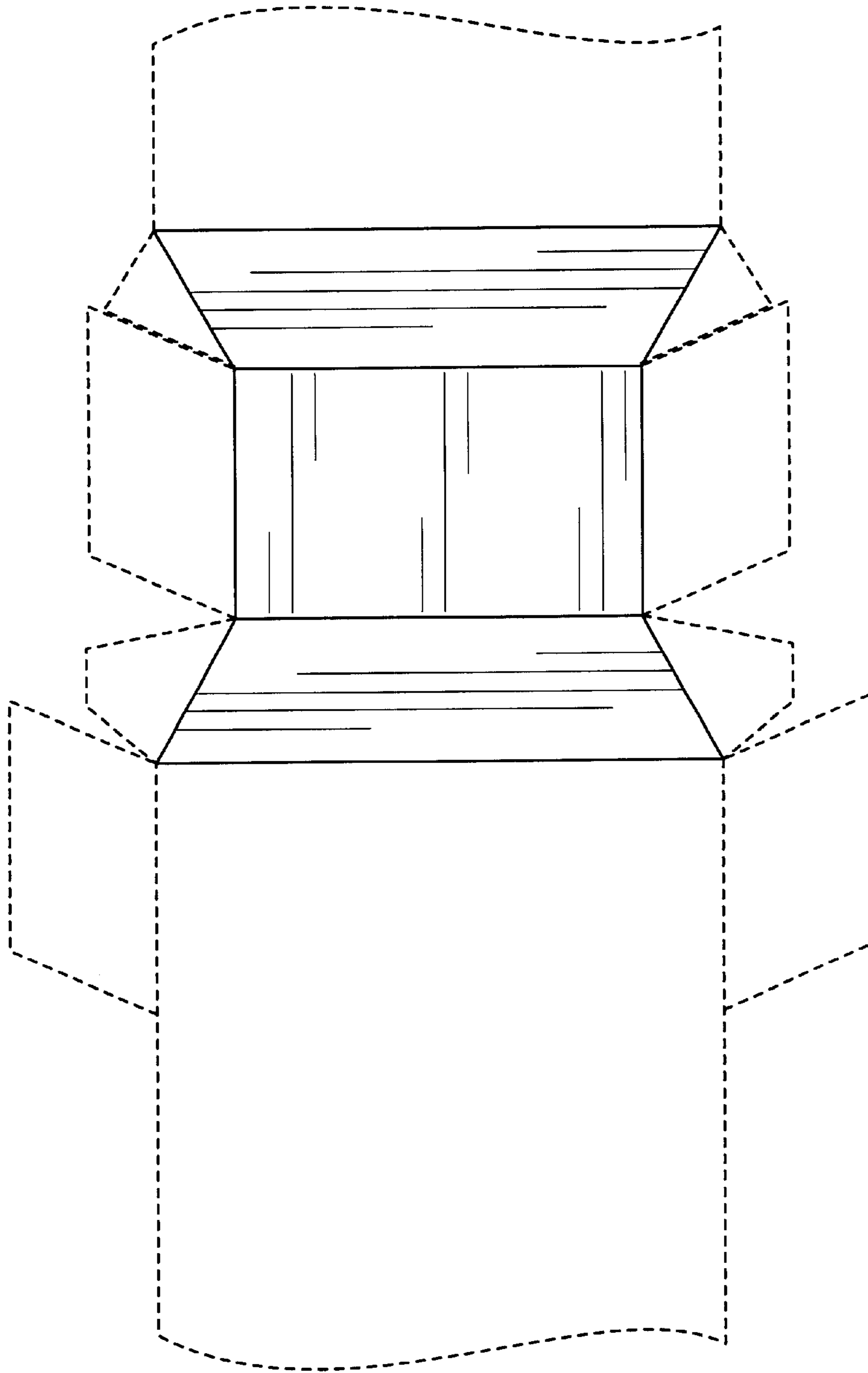


FIG. 7

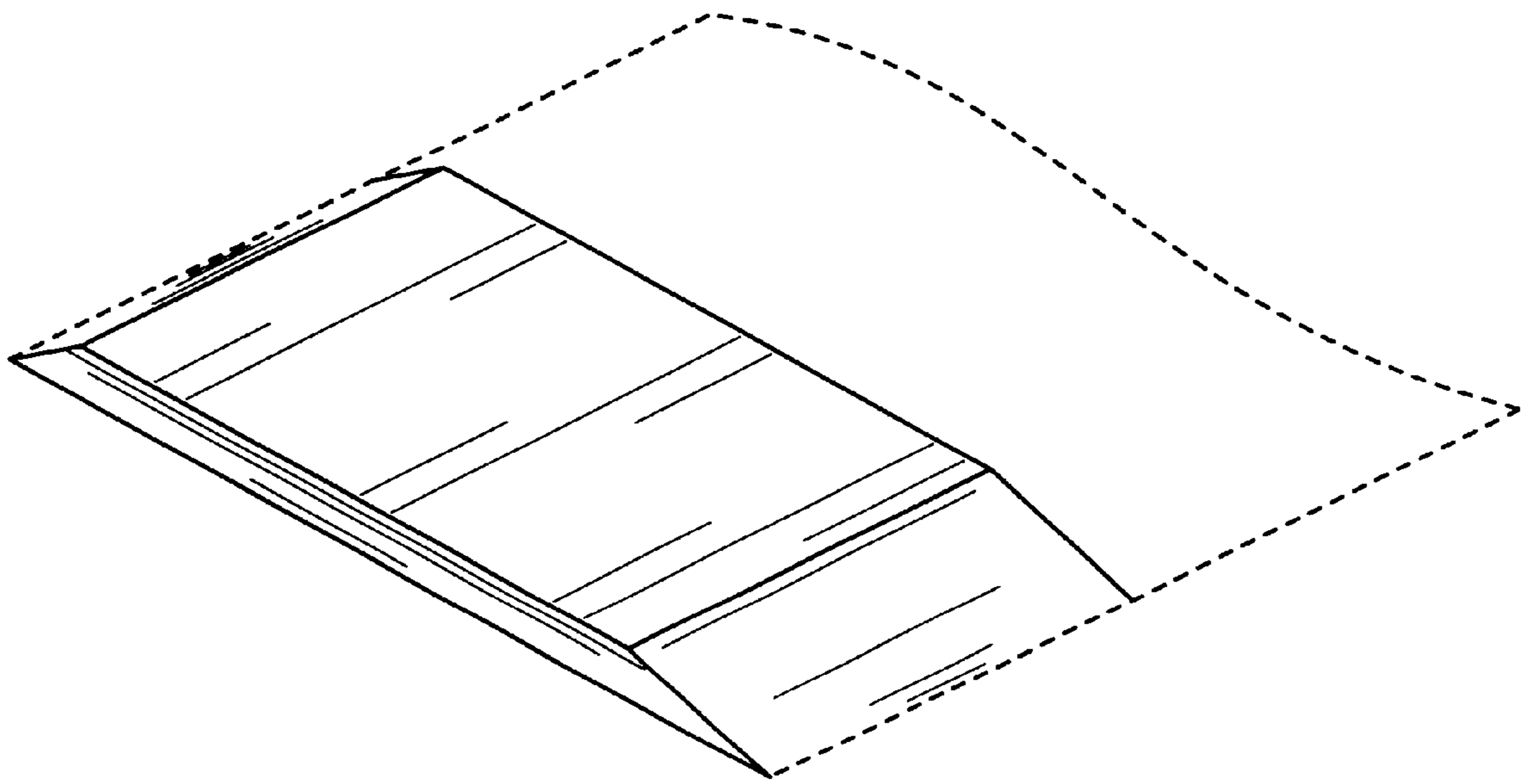


FIG. 8

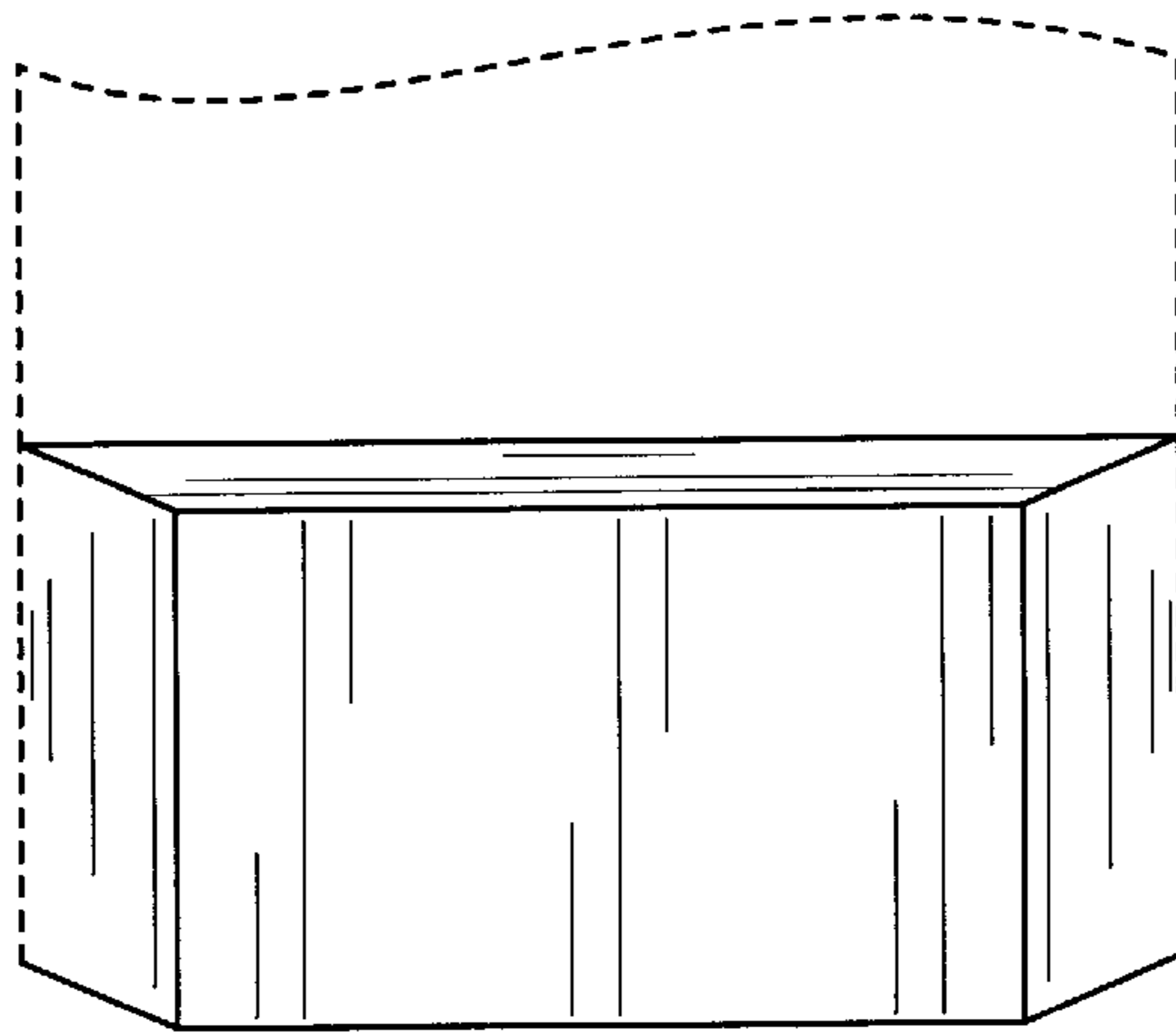


FIG. 9

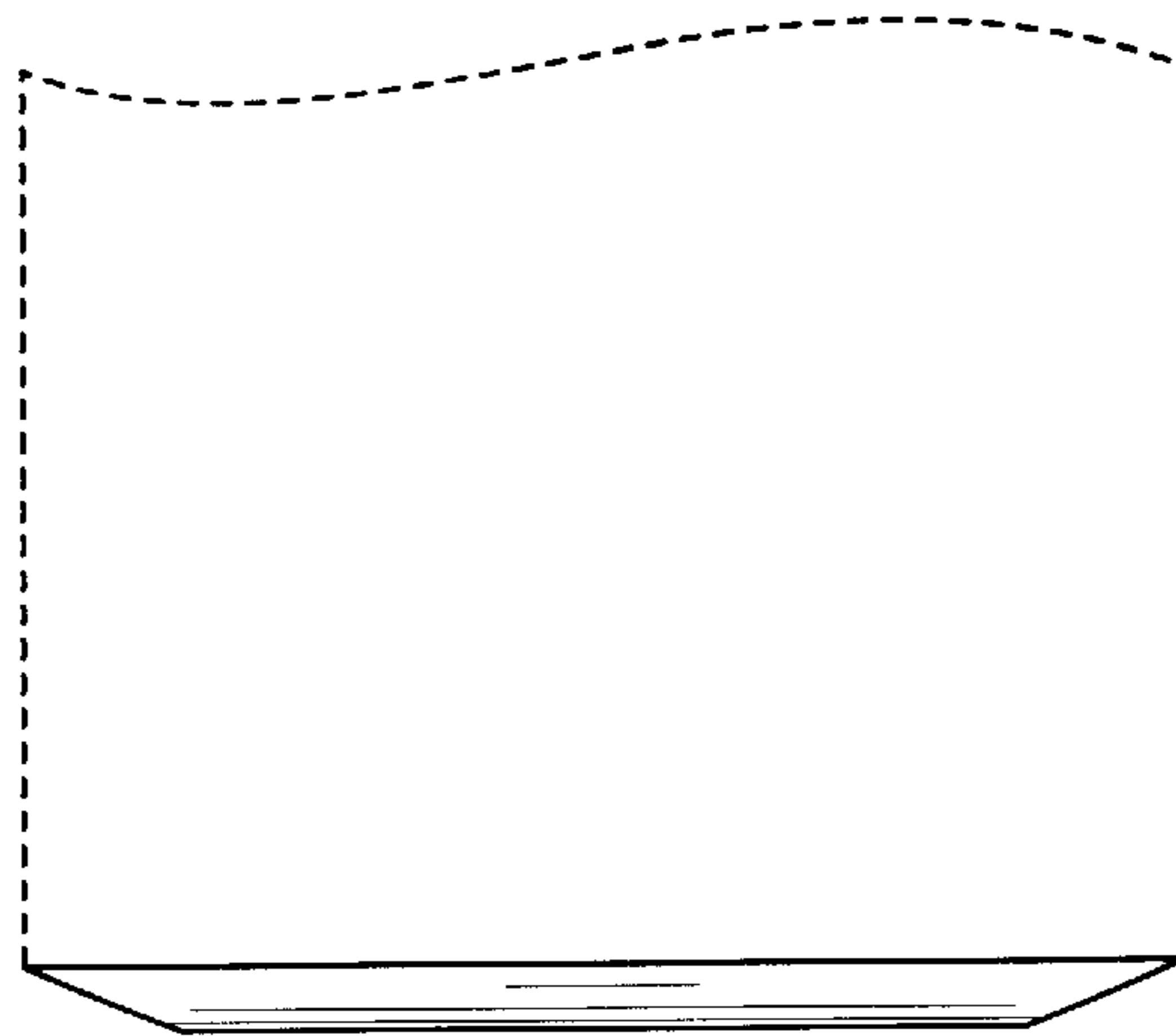


FIG. 10

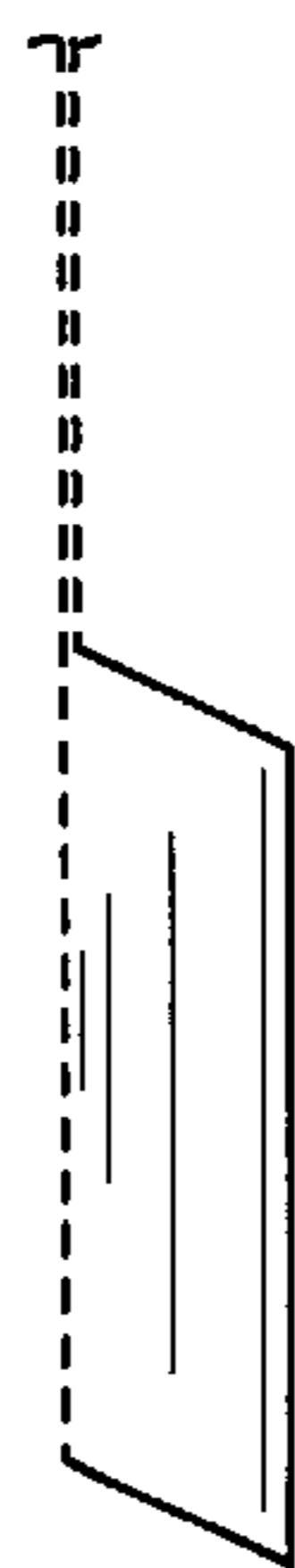


FIG. 11



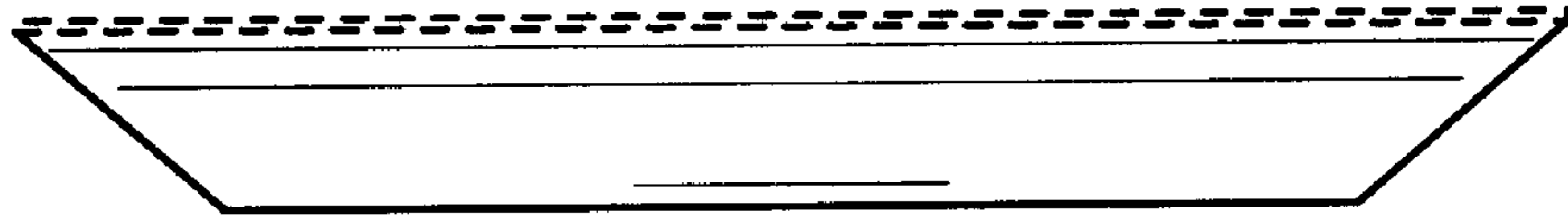


FIG. 12

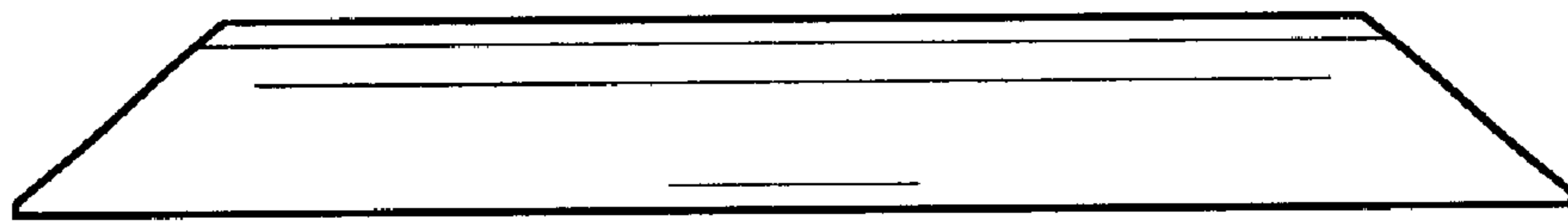


FIG. 13

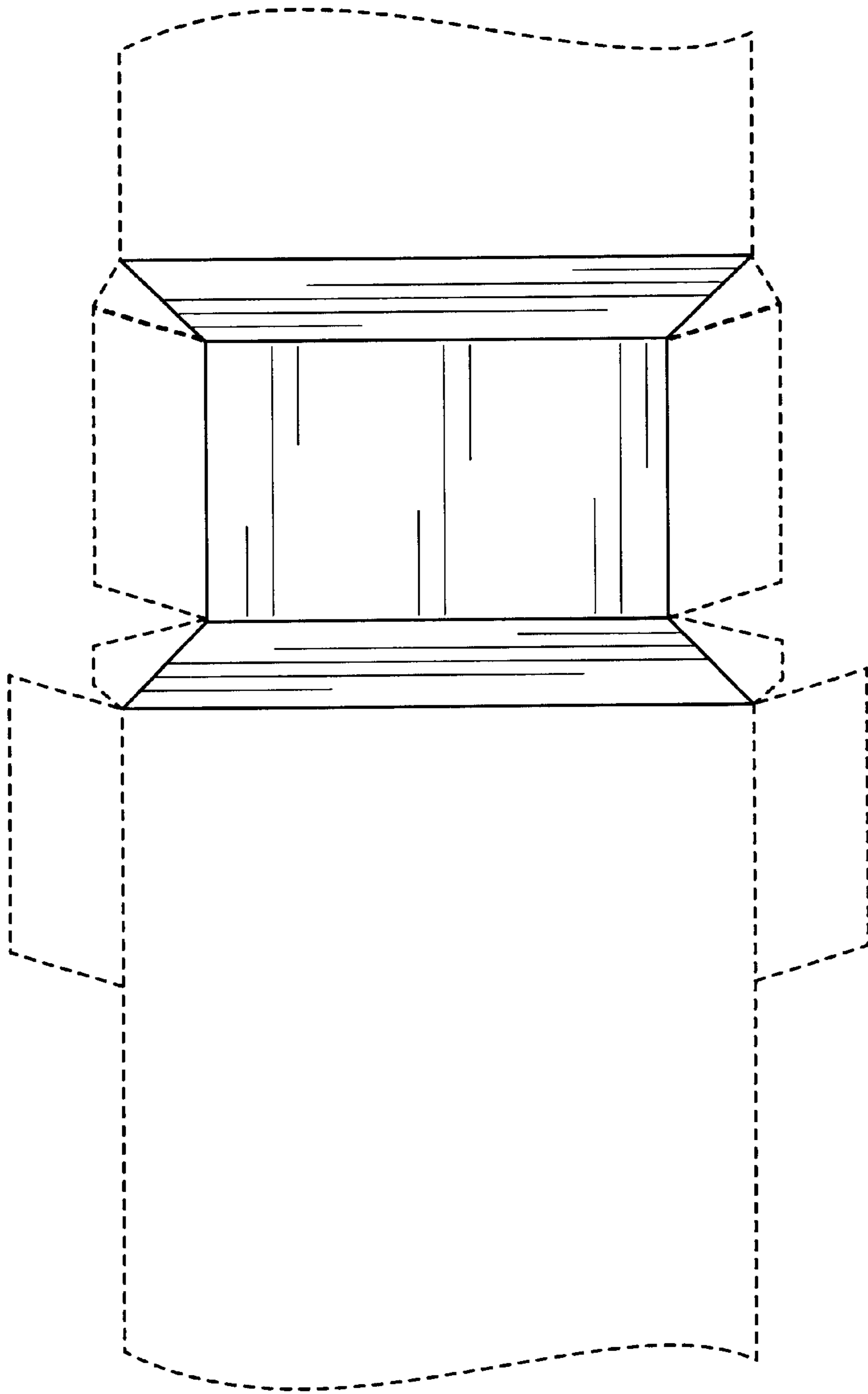


FIG. 14