



US00D478280S

(12) **United States Design Patent**  
**Miller et al.**

(10) **Patent No.:** **US D478,280 S**

(45) **Date of Patent:** **\*\* Aug. 12, 2003**

(54) **DISPENSER**

(75) Inventors: **Christopher Miller**, Flemington, NJ  
(US); **Issac Zaksenberg**, Scotch Plains,  
NJ (US)

(73) Assignee: **Colgate-Palmolive Company**, New  
York, NY (US)

(\*\*) Term: **14 Years**

(21) Appl. No.: **29/158,021**

(22) Filed: **Mar. 28, 2002**

(51) **LOC (7) Cl.** ..... **09-03**

(52) **U.S. Cl.** ..... **D9/339**

(58) **Field of Search** ..... D9/337, 338, 339,  
D9/416, 424, 430, 443; 206/528, 529, 540,  
524.1, 404, 37; 221/154, 210, 202, 266;  
222/173, 343

(56) **References Cited**

**U.S. PATENT DOCUMENTS**

D358,093 S \* 5/1995 Lanteigne et al. .... D9/430

D399,604 S \* 10/1998 Wolff ..... D28/68

D430,022 S \* 8/2000 Goettner ..... D9/416

D446,718 S \* 8/2001 Anderson ..... D9/422

D465,729 S \* 11/2002 Nishimura ..... D9/422

\* cited by examiner

*Primary Examiner*—Ted Shooman

*Assistant Examiner*—Daniel Bui

(74) *Attorney, Agent, or Firm*—Michael J. McGreal

(57) **CLAIM**

The ornamental design for a dispenser, as shown and described.

**DESCRIPTION**

FIG. 1 is a perspective view of the dispenser of our design.

FIG. 2 is a left side elevation view thereof.

FIG. 3 is a right side elevation view thereof.

FIG. 4 is a front elevation view thereof.

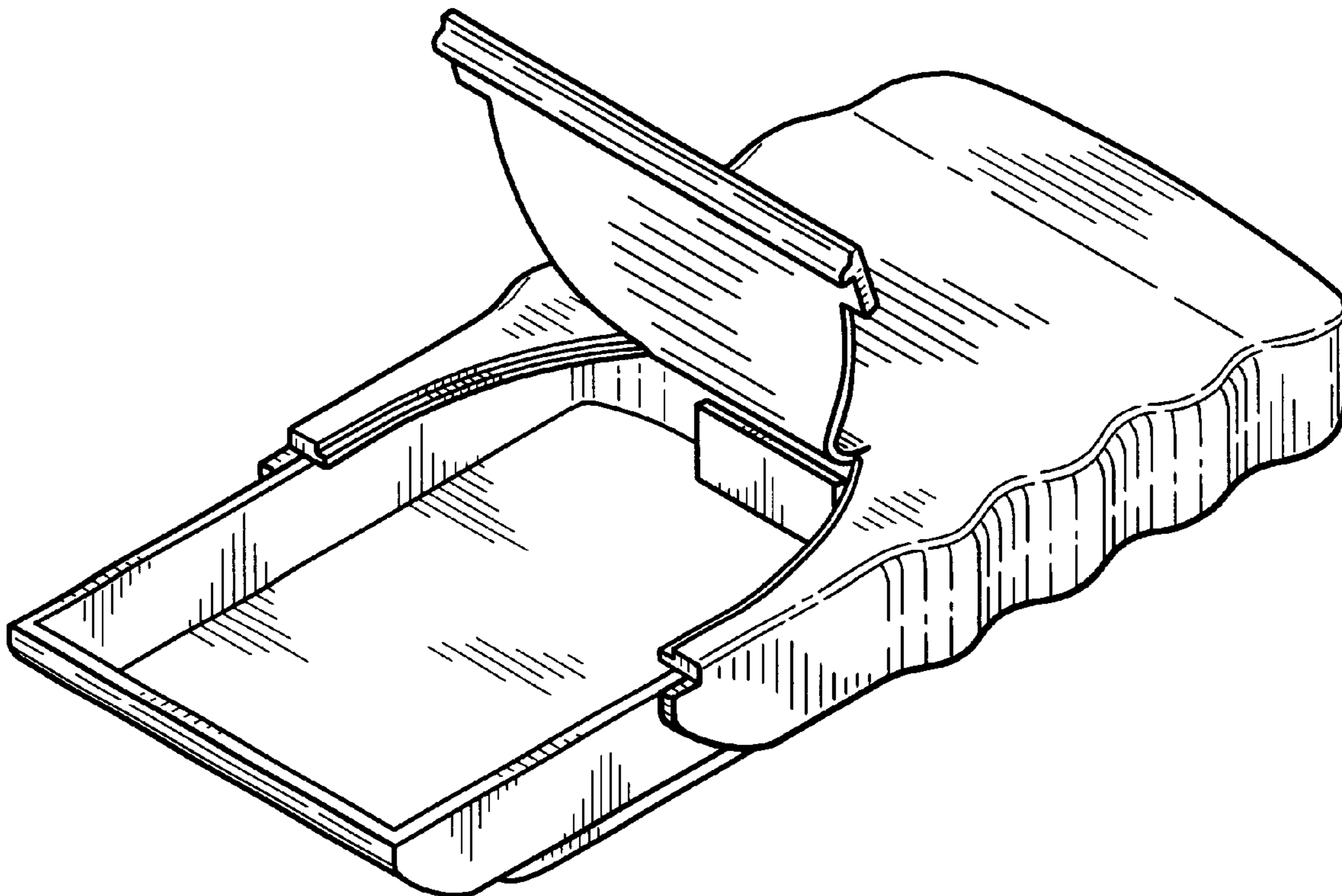
FIG. 5 is a rear elevation view thereof.

FIG. 6 is a top plan view thereof.

FIG. 7 is a bottom plan view thereof; and,

FIG. 8 is a perspective view of the dispenser opened.

**1 Claim, 3 Drawing Sheets**



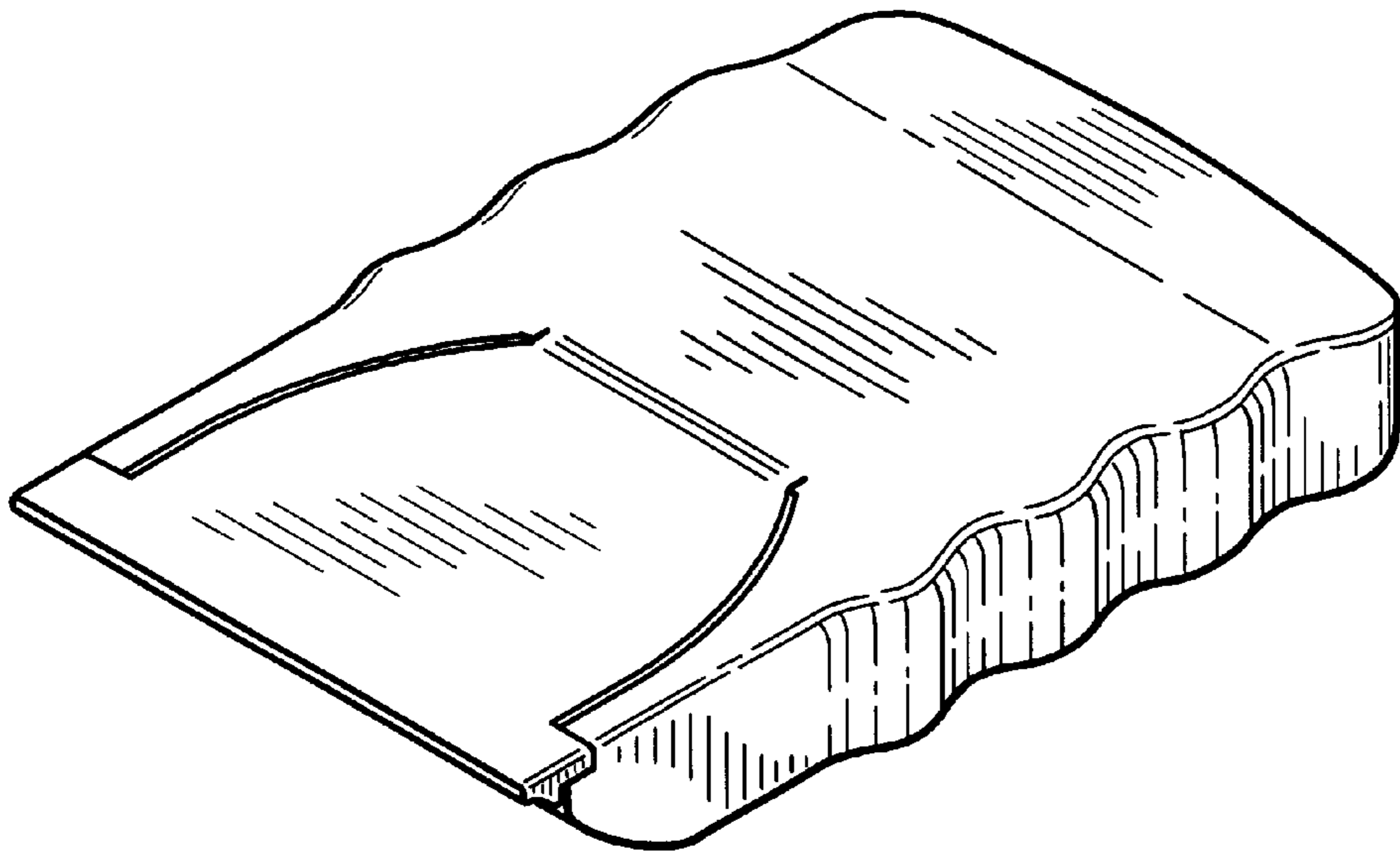


FIG. 1

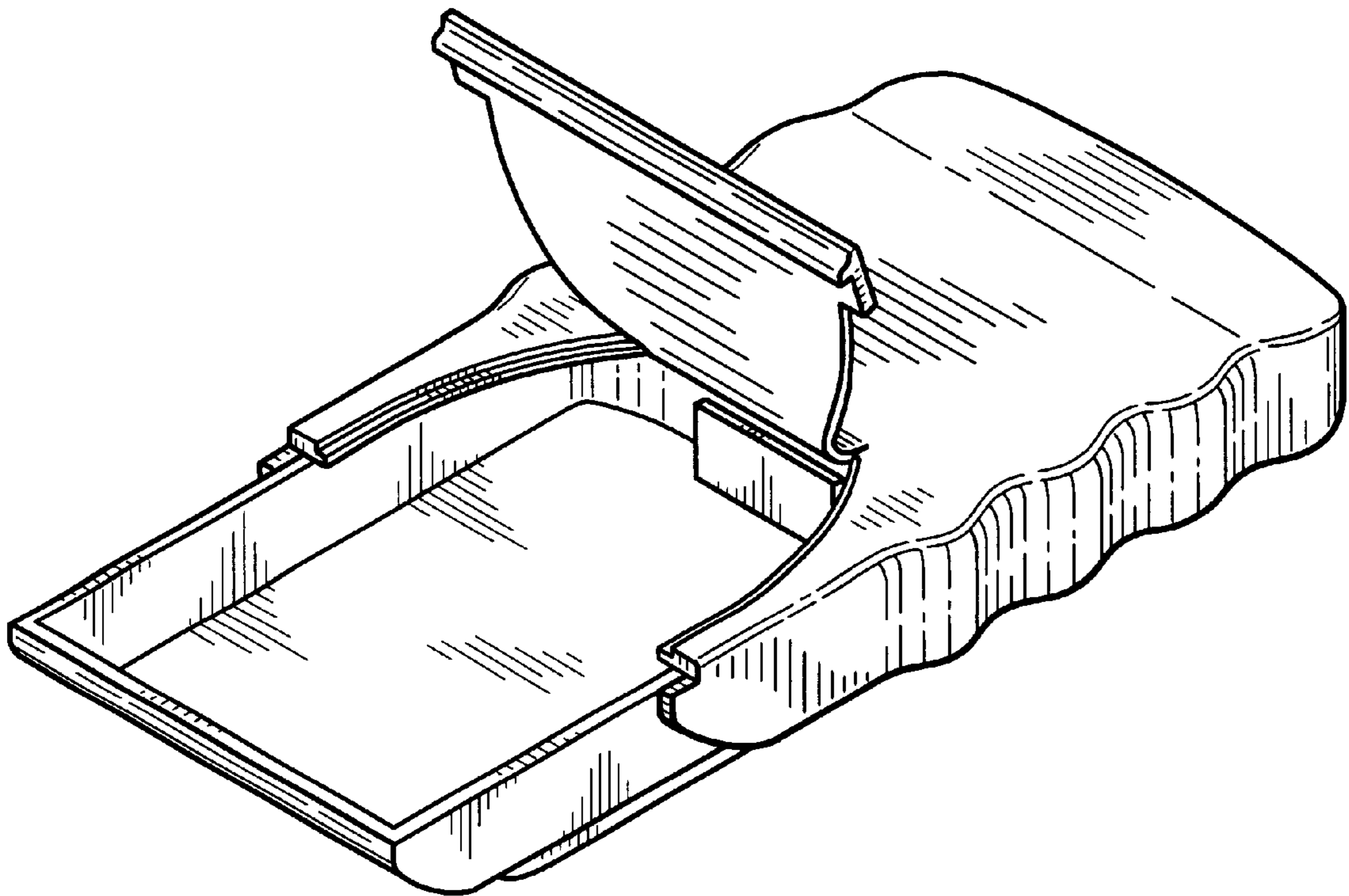


FIG. 8

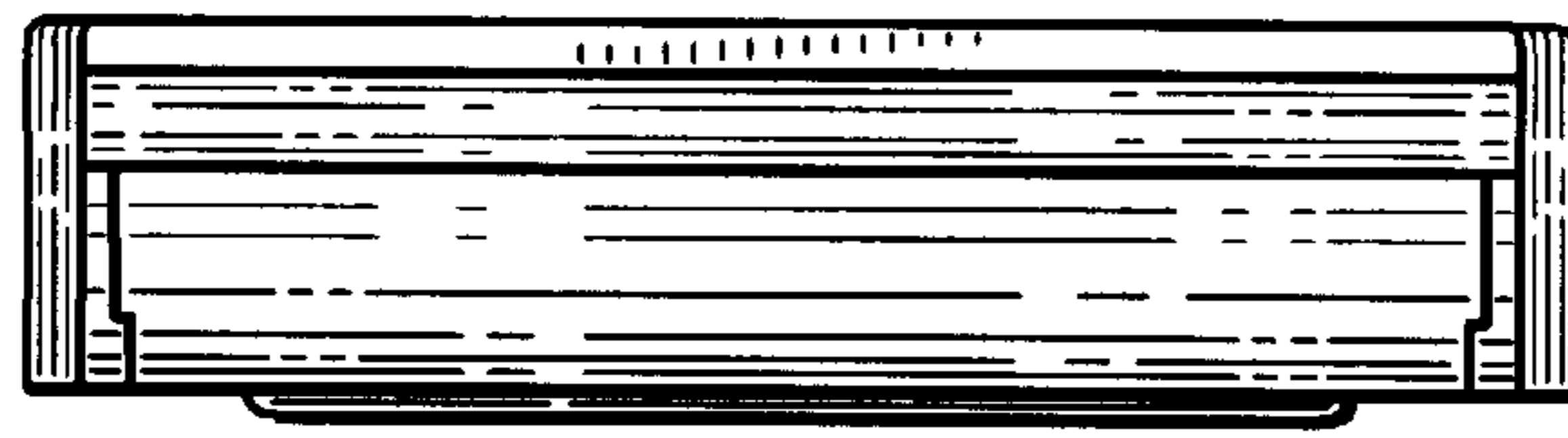


FIG. 2

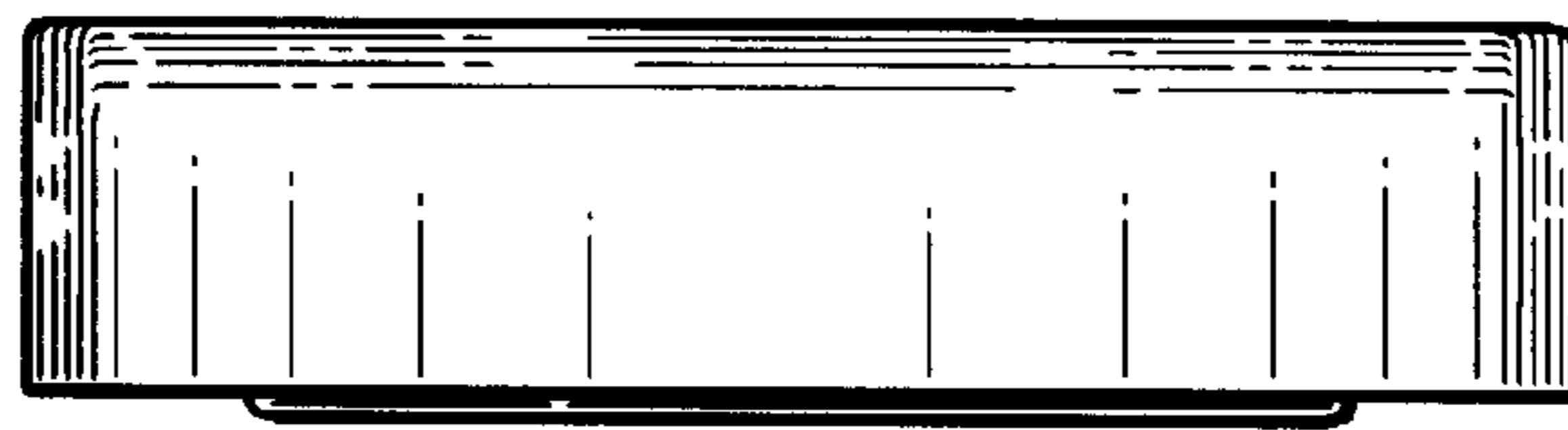


FIG. 3

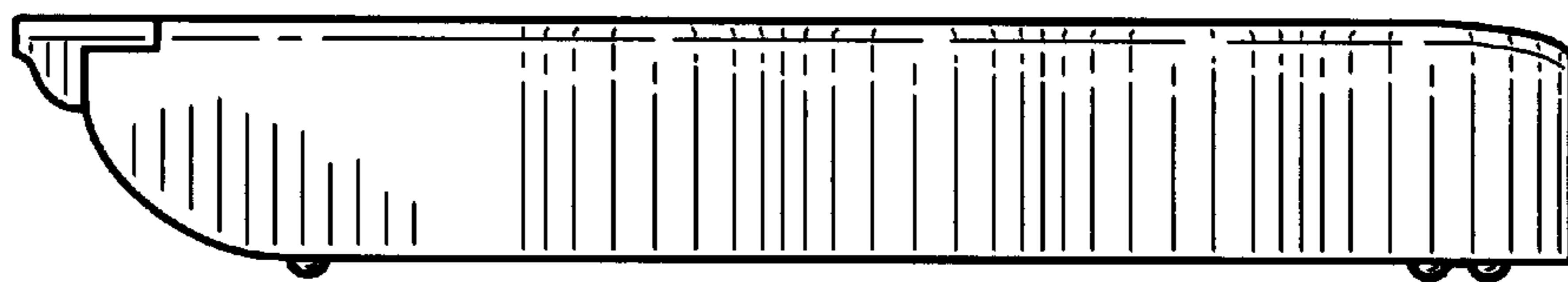


FIG. 4

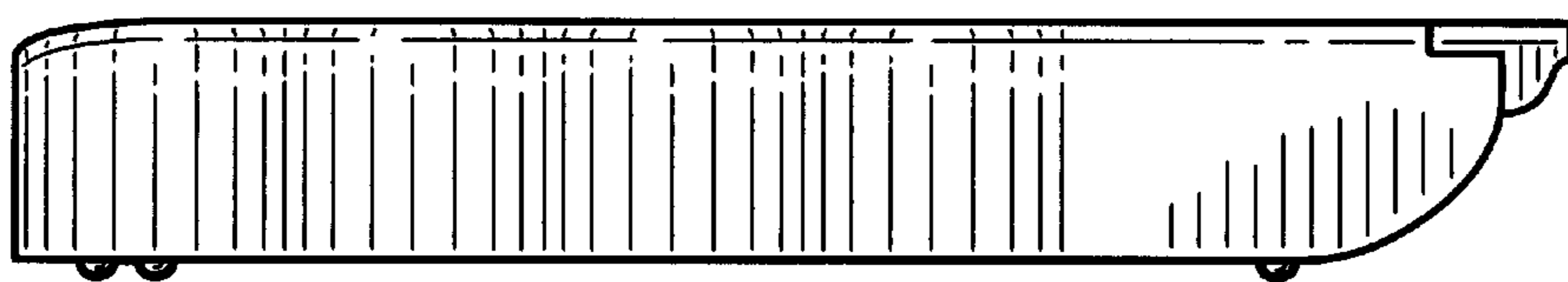


FIG. 5

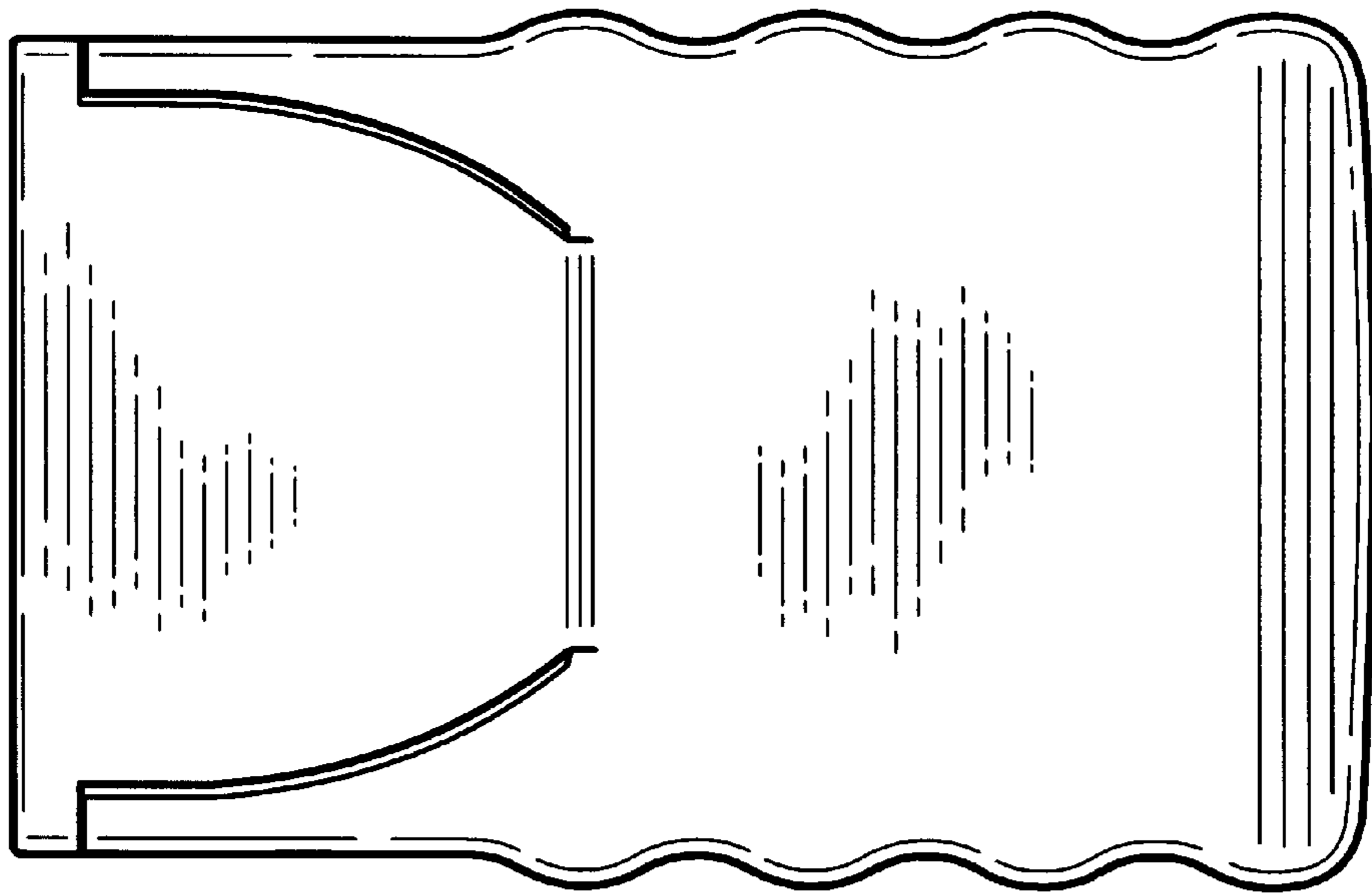


FIG. 6

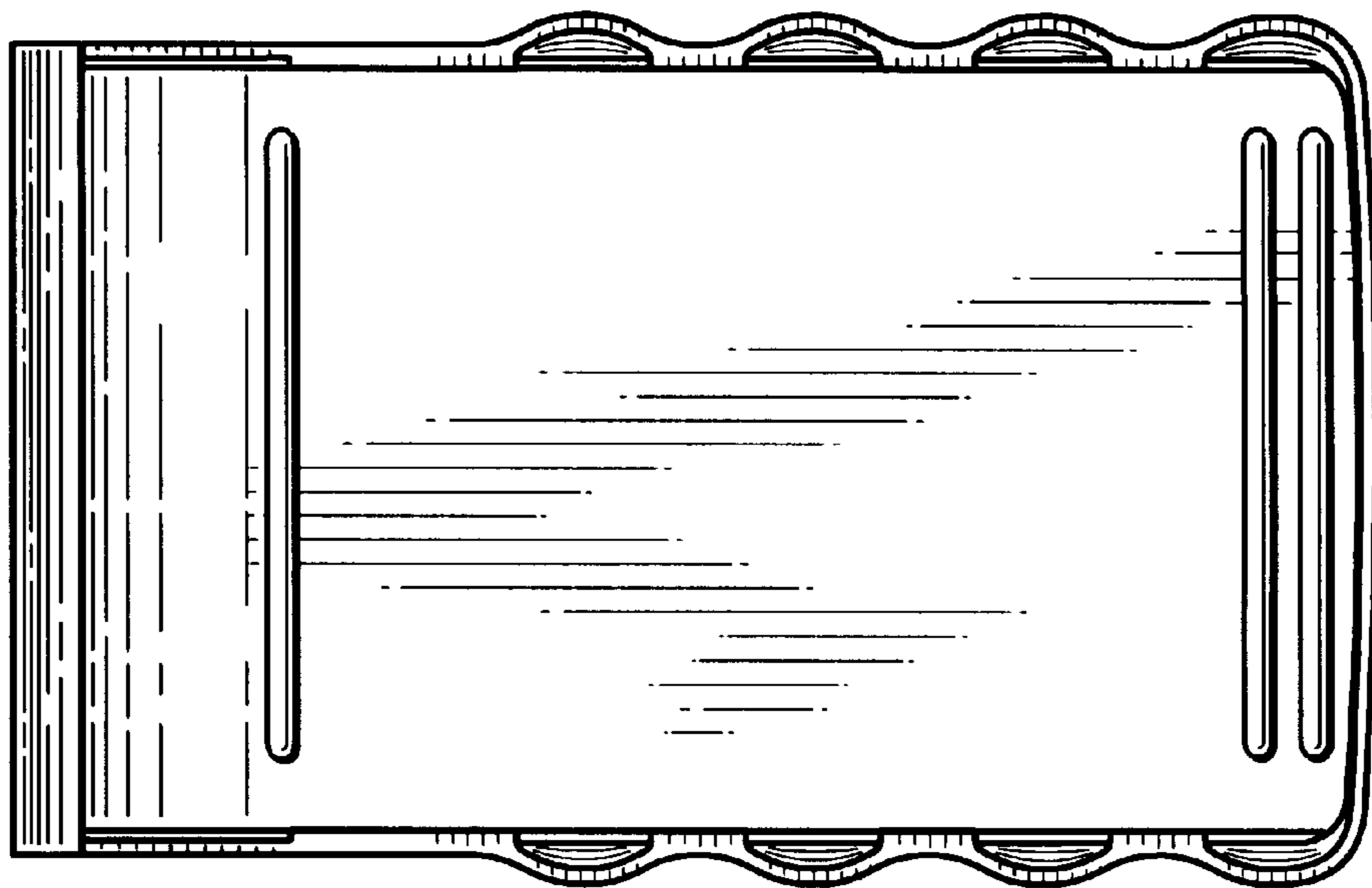


FIG. 7