



US00D478278S

(12) **United States Design Patent** (10) **Patent No.:** **US D478,278 S**  
**Masotta et al.** (45) **Date of Patent:** **\*\* Aug. 12, 2003**

(54) **BEVERAGE PACKAGE**

(75) Inventors: **Vincent Michael Masotta**, Ridgefield, CT (US); **James Lindsay Clark**, Plainfield, NJ (US)

(73) Assignee: **Unilever Bestfoods, North America, division of Conopco, Inc.**, Englewood Cliffs, NJ (US)

(\*\*) Term: **14 Years**

(21) Appl. No.: **29/166,340**

(22) Filed: **Aug. 26, 2002**

(51) **LOC (7) Cl.** ..... **09-03**

(52) **U.S. Cl.** ..... **D9/332; D9/530; D9/564**

(58) **Field of Search** ..... D9/307, 332, 333, D9/516, 530, 537, 538, 540, 542, 543, 549, 550, 551, 554, 564, 566, 567, 569; 215/382, 383; 220/906, 907; 206/457

(56) **References Cited**

**U.S. PATENT DOCUMENTS**

D216,541 S \* 2/1970 Koenigsberg et al. .... D9/538  
D228,444 S \* 9/1973 Mascia ..... D9/551

D237,853 S \* 12/1975 Katz ..... D9/500  
D365,021 S \* 12/1995 Park ..... D9/332  
D413,068 S \* 8/1999 Thouin et al. .... D9/551  
6,012,601 A \* 1/2000 Van Dam ..... 220/907  
D428,342 S \* 7/2000 Stoller ..... D9/542  
D448,305 S \* 9/2001 Warner et al. .... D9/554

**OTHER PUBLICATIONS**

Beverage World Jan. 2001. p. 65, can.\*

\* cited by examiner

*Primary Examiner*—Sandra L. Morris

(74) *Attorney, Agent, or Firm*—Edward A. Squillante, Jr.

(57) **CLAIM**

An ornamental design for a beverage package, as shown and described.

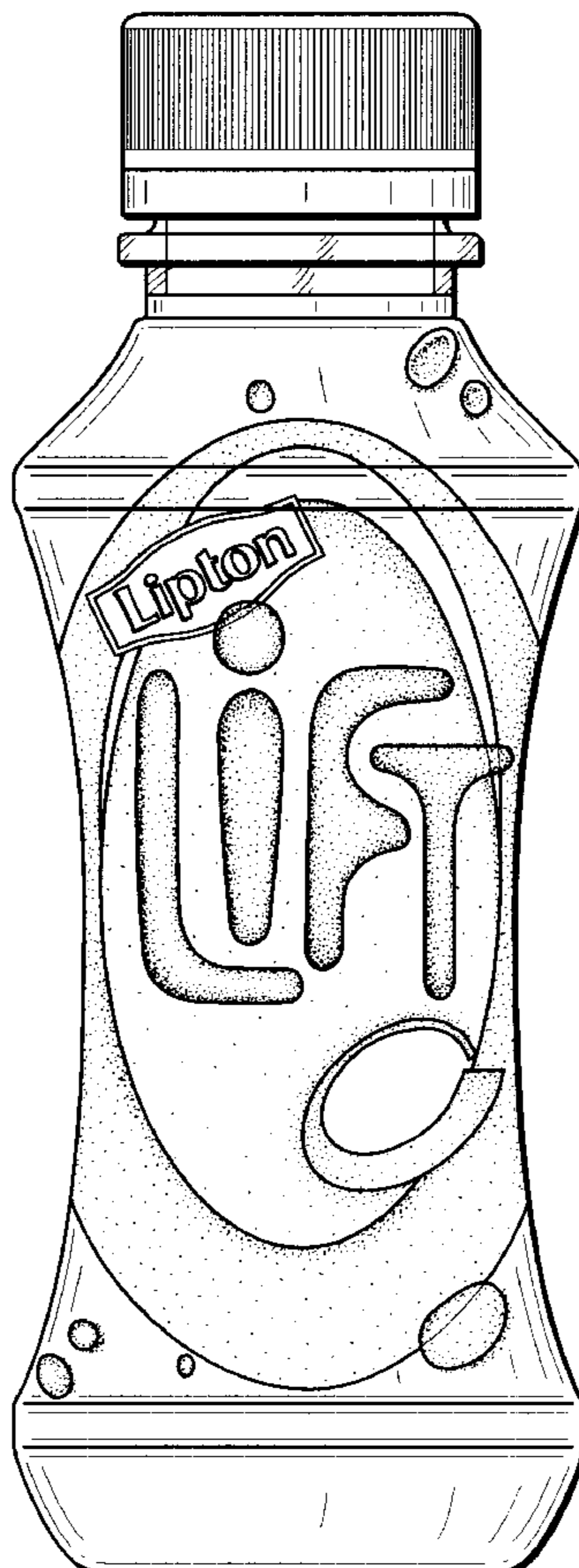
**DESCRIPTION**

FIG. 1 is a right side view of a beverage package in accordance with our new design, the left side view being a mirror image thereof;

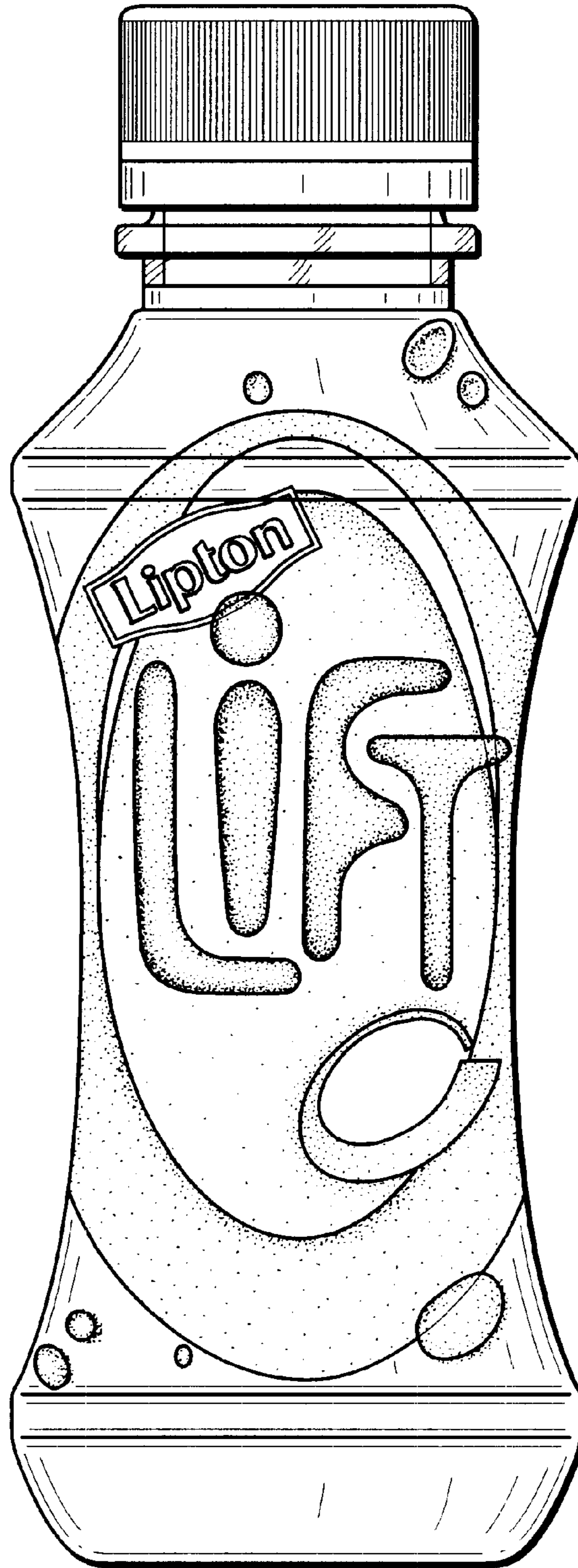
FIG. 2 is a top plan view thereof; and,

FIG. 3 is a bottom plan view thereof.

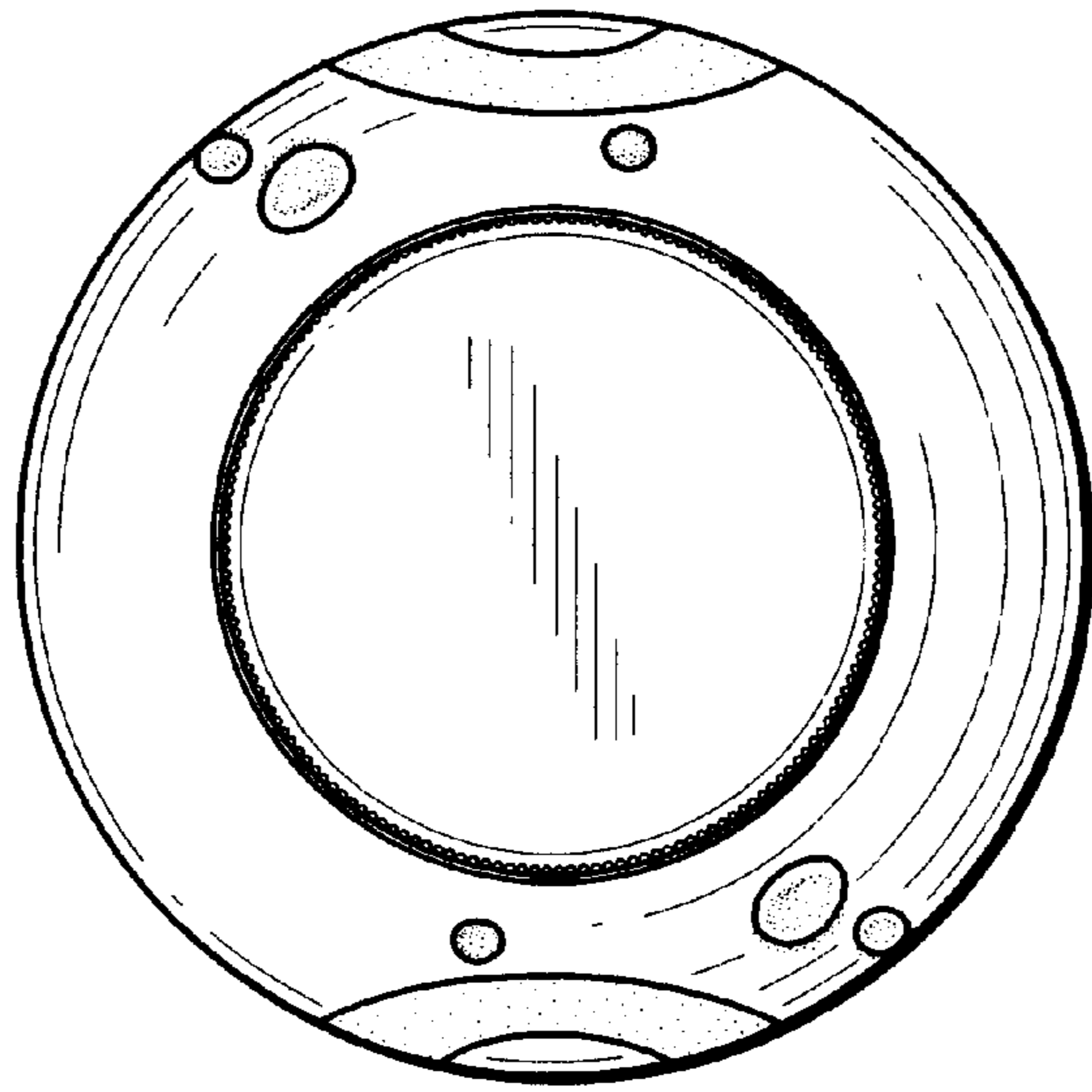
**1 Claim, 2 Drawing Sheets**



**FIG. 1**



**FIG. 2**



**FIG. 3**

